



US00D775395S

(12) **United States Design Patent**  
**Huyghe**

(10) **Patent No.:** **US D775,395 S**

(45) **Date of Patent:** **\*\* Dec. 27, 2016**

(54) **LED FIXTURE**

(71) Applicant: **KONINKLIJKE PHILIPS N.V.**,  
Eindhoven (NL)

(72) Inventor: **Jeffrey Huyghe**, Roeselare (BE)

(73) Assignee: **Koninklijke Philips N.V.**, Eindhoven  
(NL)

(\*\*) Term: **15 Years**

(21) Appl. No.: **29/537,209**

(22) Filed: **Aug. 24, 2015**

(30) **Foreign Application Priority Data**

Feb. 28, 2015 (EM) ..... 002643569-0002

(51) **LOC (10) Cl.** ..... **26-03**

(52) **U.S. Cl.**  
USPC ..... **D26/80**

(58) **Field of Classification Search**  
USPC .... D26/72, 76, 77, 78, 80, 85, 89, 142, 121,  
D26/122  
CPC ..... F21S 8/03; F21S 8/031; F21S 8/033;  
F21S 8/036; F21S 9/03; F21S  
9/037; F21V 21/025; F21V 17/08; F21V  
17/10

See application file for complete search history.

(56) **References Cited**

**U.S. PATENT DOCUMENTS**

D232,257 S \* 7/1974 Paulson ..... D26/75  
D239,780 S \* 5/1976 Paulson ..... D26/102  
D603,548 S \* 11/2009 Pei ..... D26/76  
D604,000 S \* 11/2009 Fowler, Jr. .... D26/76  
D608,929 S \* 1/2010 Castelli ..... D26/76

D608,930 S \* 1/2010 Castelli ..... D26/76  
D609,385 S \* 2/2010 Castelli ..... D26/76  
D619,292 S \* 7/2010 Pei ..... D26/76  
D621,989 S \* 8/2010 Proner ..... D26/76  
D627,914 S \* 11/2010 Couture ..... D26/76  
D629,553 S \* 12/2010 Gielen ..... D26/76  
D629,554 S \* 12/2010 Gielen ..... D26/76  
D653,375 S \* 1/2012 Chung ..... D26/75  
D653,786 S \* 2/2012 Chung ..... D26/75  
D654,612 S \* 2/2012 Ng ..... D26/80  
D655,031 S \* 2/2012 Ng ..... D26/80  
D679,439 S \* 4/2013 Lai ..... D26/75  
D690,452 S \* 9/2013 Payne ..... D26/80  
D749,257 S \* 2/2016 Arndt ..... D26/76  
D756,553 S \* 5/2016 Kim ..... D26/76  
2011/0310625 A1 \* 12/2011 Mayfield, III ..... F21V 17/04  
362/375  
2011/0317421 A1 \* 12/2011 So ..... F21S 2/00  
362/249.02  
2012/0162974 A1 \* 6/2012 Yu ..... F21V 15/013  
362/218  
2015/0070883 A1 \* 3/2015 Clark ..... F21S 2/005  
362/219

\* cited by examiner

*Primary Examiner* — Clare E Heflin

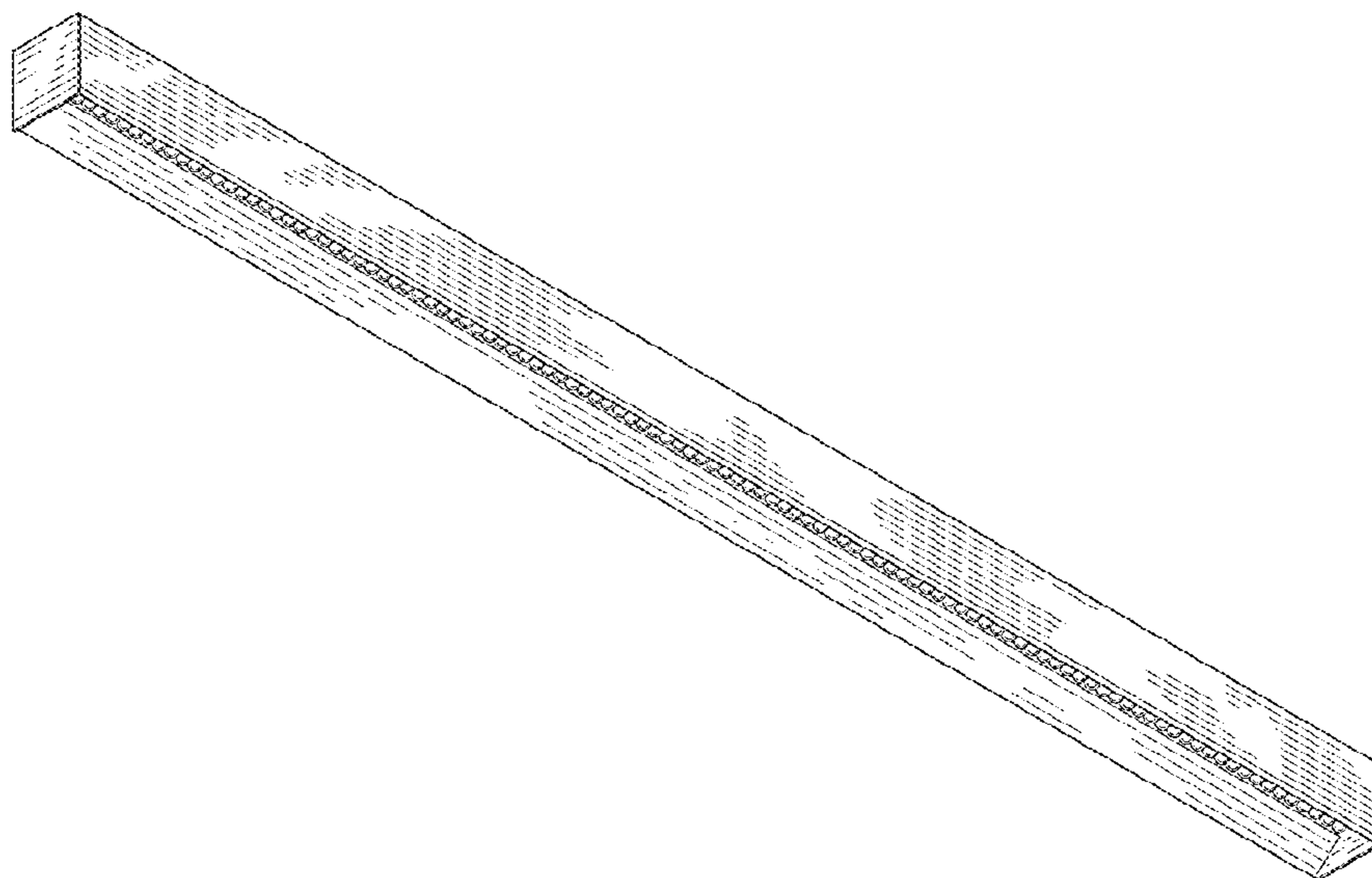
(57) **CLAIM**

The ornamental design for a LED fixture, as shown.

**DESCRIPTION**

FIG. 1 is a perspective view showing my design;  
FIG. 2 is a front elevational view thereof;  
FIG. 3 is a rear elevational view thereof;  
FIG. 4 is a right side elevational view thereof;  
FIG. 5 is a left side elevational view thereof;  
FIG. 6 is a top plan view thereof; and,  
FIG. 7 is a bottom plan view thereof.

**1 Claim, 3 Drawing Sheets**



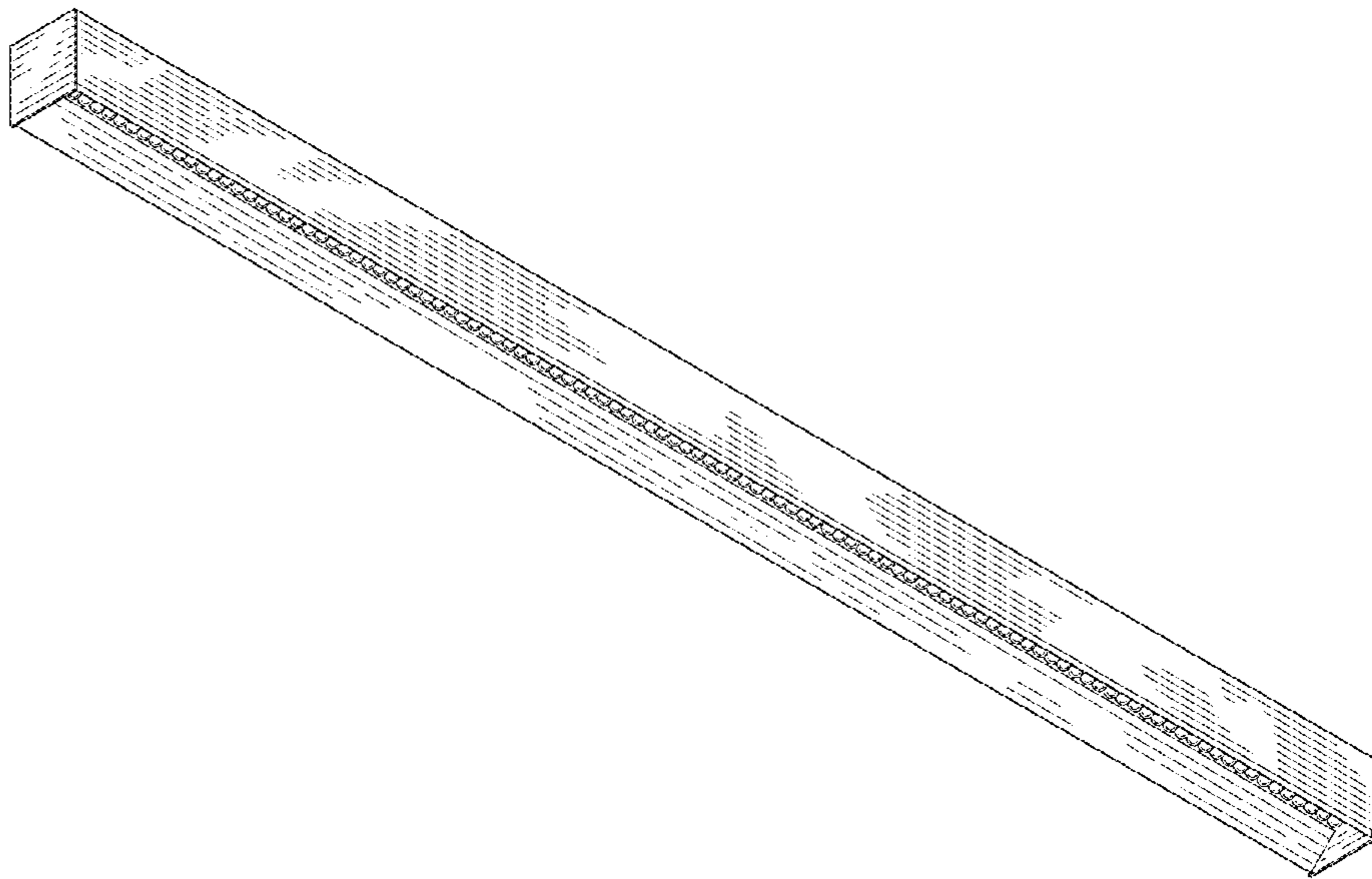


FIG. 1

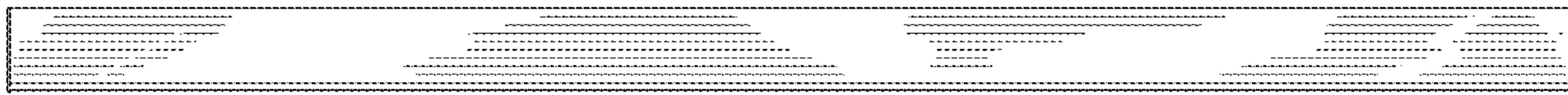


FIG. 2

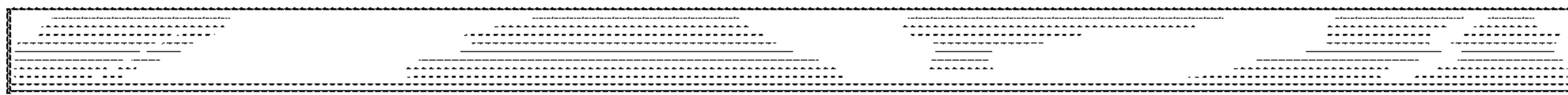


FIG. 3



FIG. 4



FIG. 5

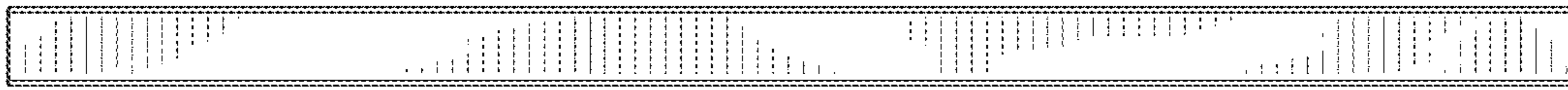


FIG. 6



FIG. 7