



US00D775393S

(12) **United States Design Patent**  
**Adams et al.**

(10) **Patent No.:** **US D775,393 S**

(45) **Date of Patent:** **\*\* Dec. 27, 2016**

(54) **LIGHT FIXTURE**

(71) Applicant: **JST Performance, LLC**, Gilbert, AZ  
(US)

(72) Inventors: **Stephen P. Adams**, Mesa, AZ (US);  
**Pete D. Sibitzky**, Lakeside, CA (US)

(73) Assignee: **JST Performance, LLC**, Gilbert, AZ  
(US)

(\*\*) Term: **15 Years**

(21) Appl. No.: **29/543,714**

(22) Filed: **Oct. 27, 2015**

(51) **LOC (10) Cl.** ..... **26-03**

(52) **U.S. Cl.**  
USPC ..... **D26/63**

(58) **Field of Classification Search**  
USPC ..... D26/24, 26, 28, 29, 34, 37, 38, 43, 44,  
D26/51, 59, 60, 61, 63, 66, 67, 68, 72,  
D26/74, 76, 85, 86, 88, 89, 91, 113, 118,  
D26/119, 120, 122-124, 138, 140-146  
CPC .... F21V 29/02; F21V 29/2212; F21V 7/0005;  
F21V 21/04; F21V 21/14  
See application file for complete search history.

(56) **References Cited**

**U.S. PATENT DOCUMENTS**

D190,922 S \* 7/1961 Anthony ..... D26/24  
4,027,151 A \* 5/1977 Barthel ..... F21V 7/005  
359/867

D672,908 S \* 12/2012 Wilcox ..... D26/118  
D708,778 S \* 7/2014 Sibitzky ..... D26/118  
D717,483 S \* 11/2014 Barnes ..... D26/72  
D734,532 S \* 7/2015 Gordin ..... D26/118

\* cited by examiner

*Primary Examiner* — Brian N Vinson

(57) **CLAIM**

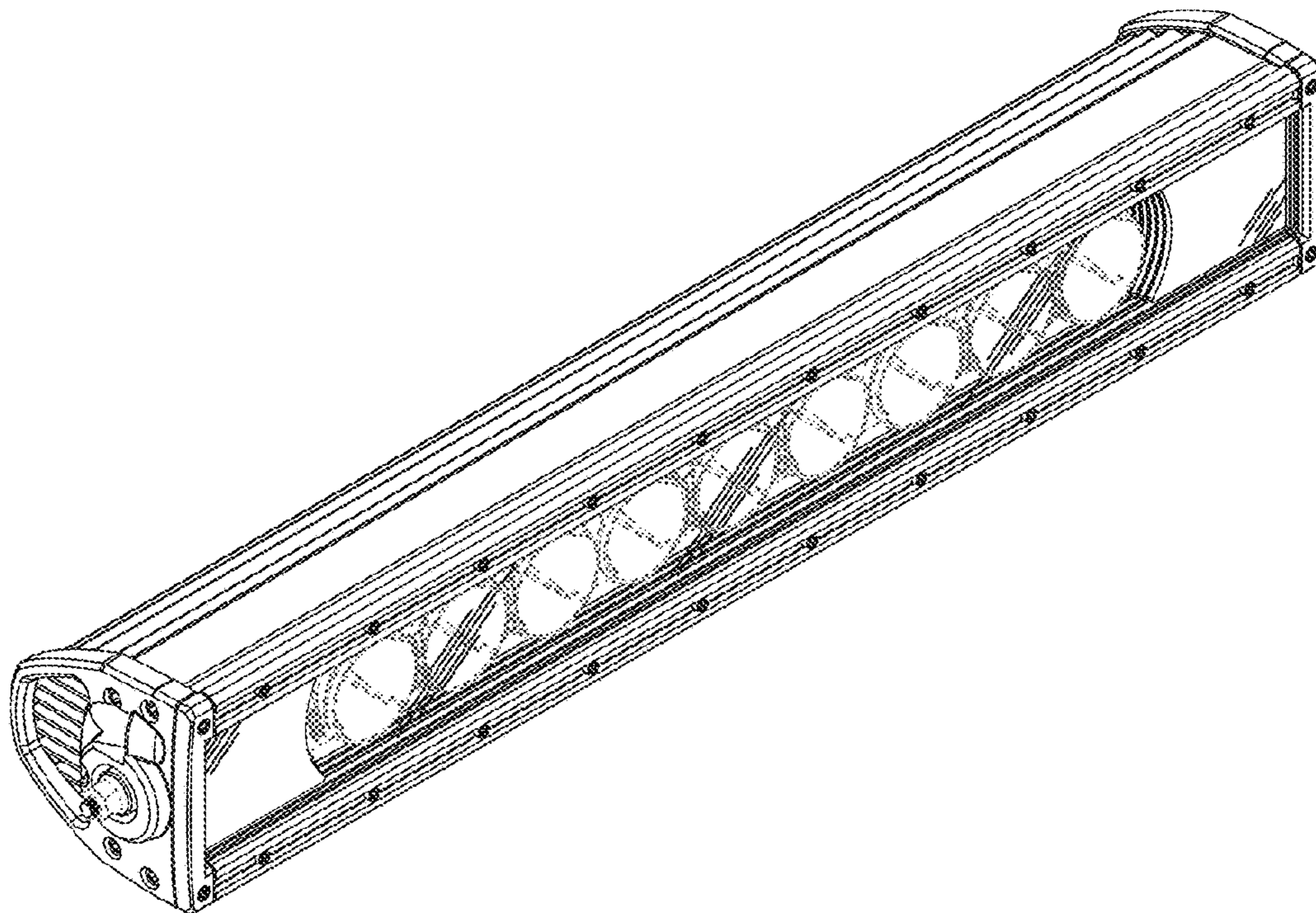
The ornamental design for a light fixture, as shown and described.

**DESCRIPTION**

FIG. 1 is a front, left, top perspective view of a light fixture showing our new design;  
FIG. 2 is a front, right, top perspective view thereof;  
FIG. 3 is a front, left, bottom perspective view thereof;  
FIG. 4 is a front, right, bottom perspective view thereof;  
FIG. 5 is a back, left, top perspective view thereof;  
FIG. 6 is a back, right, top perspective view thereof;  
FIG. 7 is a back, left, bottom perspective view thereof;  
FIG. 8 is a back, right, bottom perspective view thereof;  
FIG. 9 is a front side view thereof;  
FIG. 10 is a back side view thereof;  
FIG. 11 is a left side view thereof;  
FIG. 12 is a right side view thereof;  
FIG. 13 is a top view thereof; and,  
FIG. 14 is a bottom view thereof.

The broken lines shown in the figures represent portions of the light fixture that form no part of the claimed design.

**1 Claim, 14 Drawing Sheets**



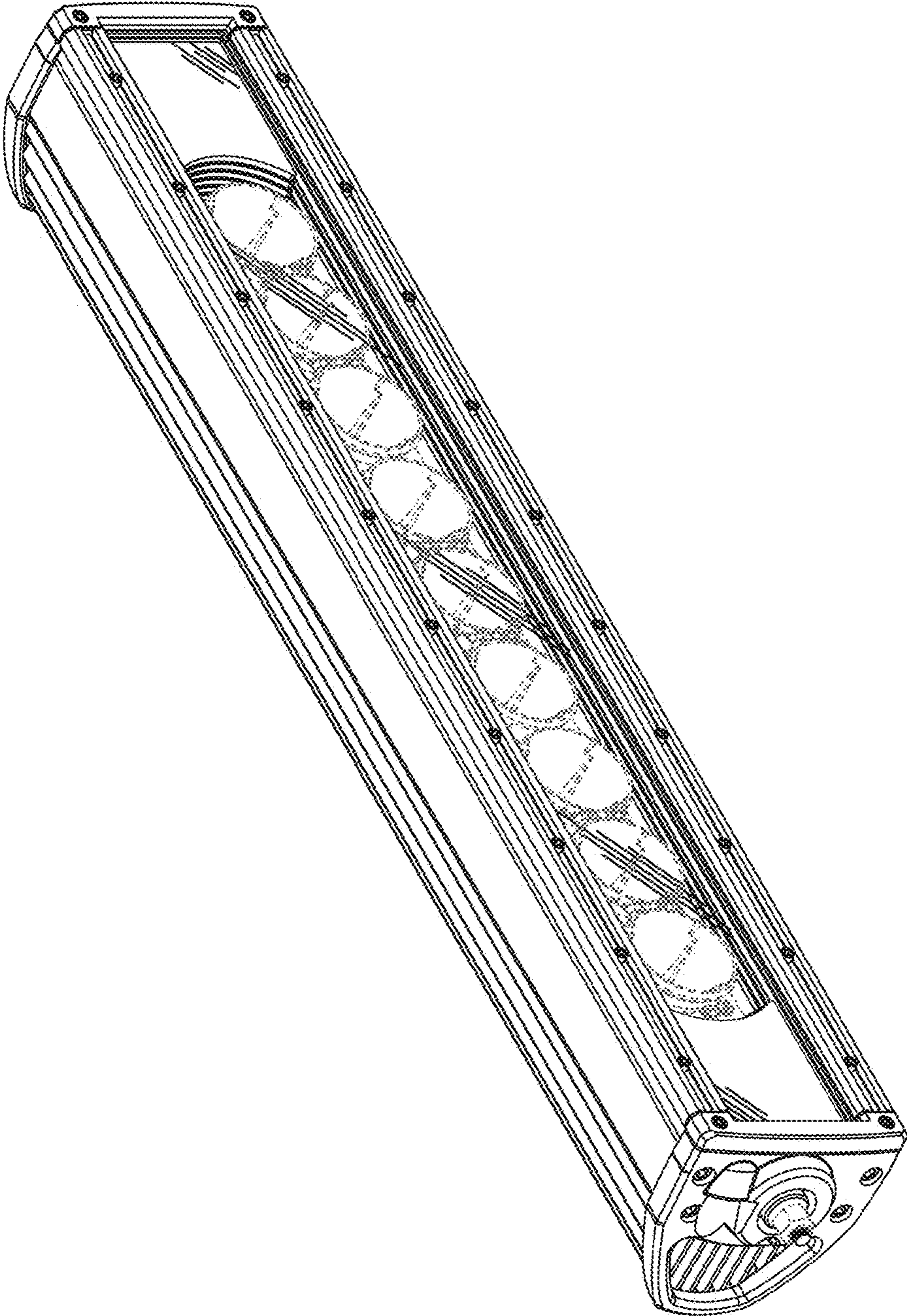


FIG. 1

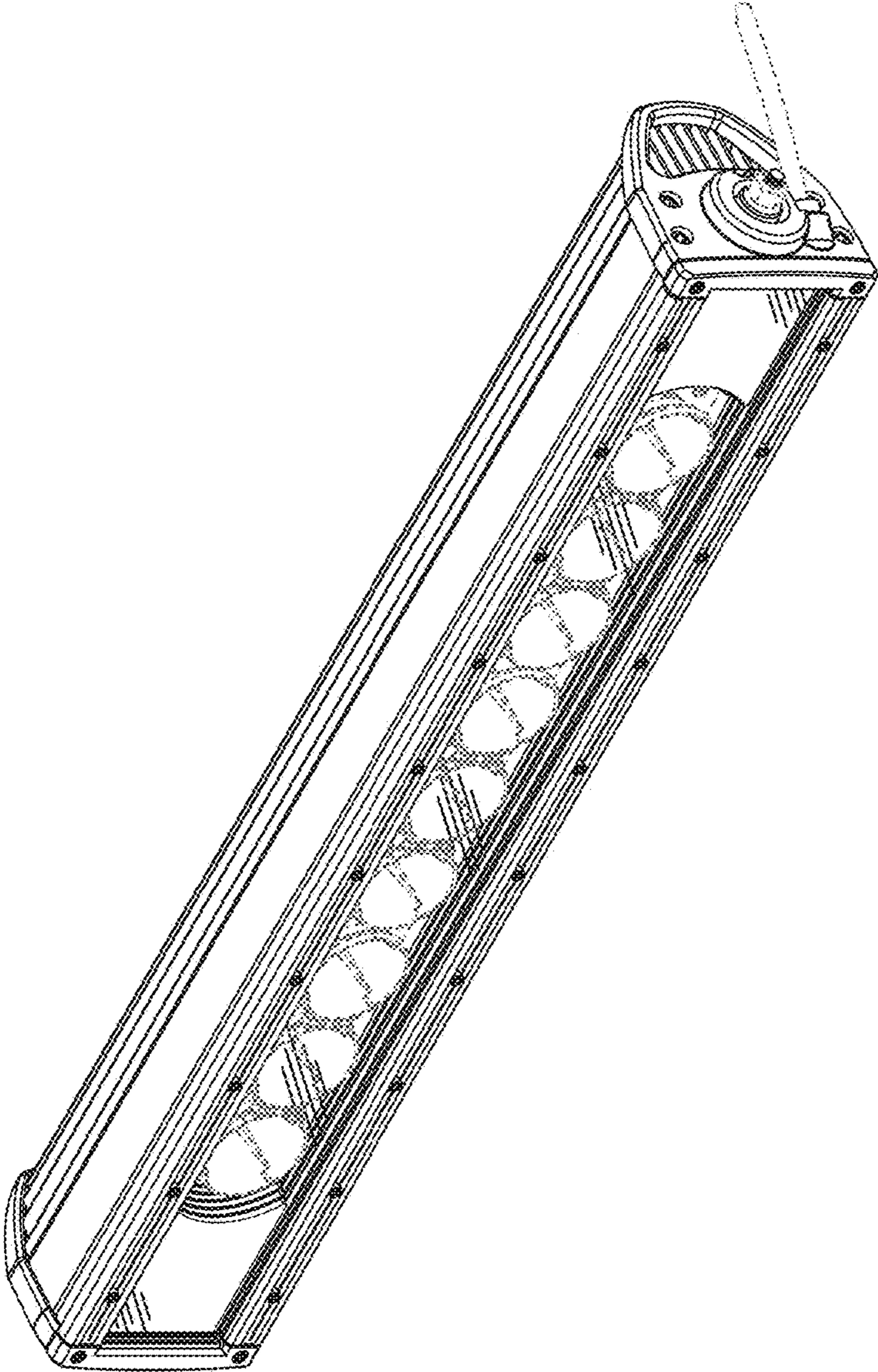


FIG. 2



FIG. 3

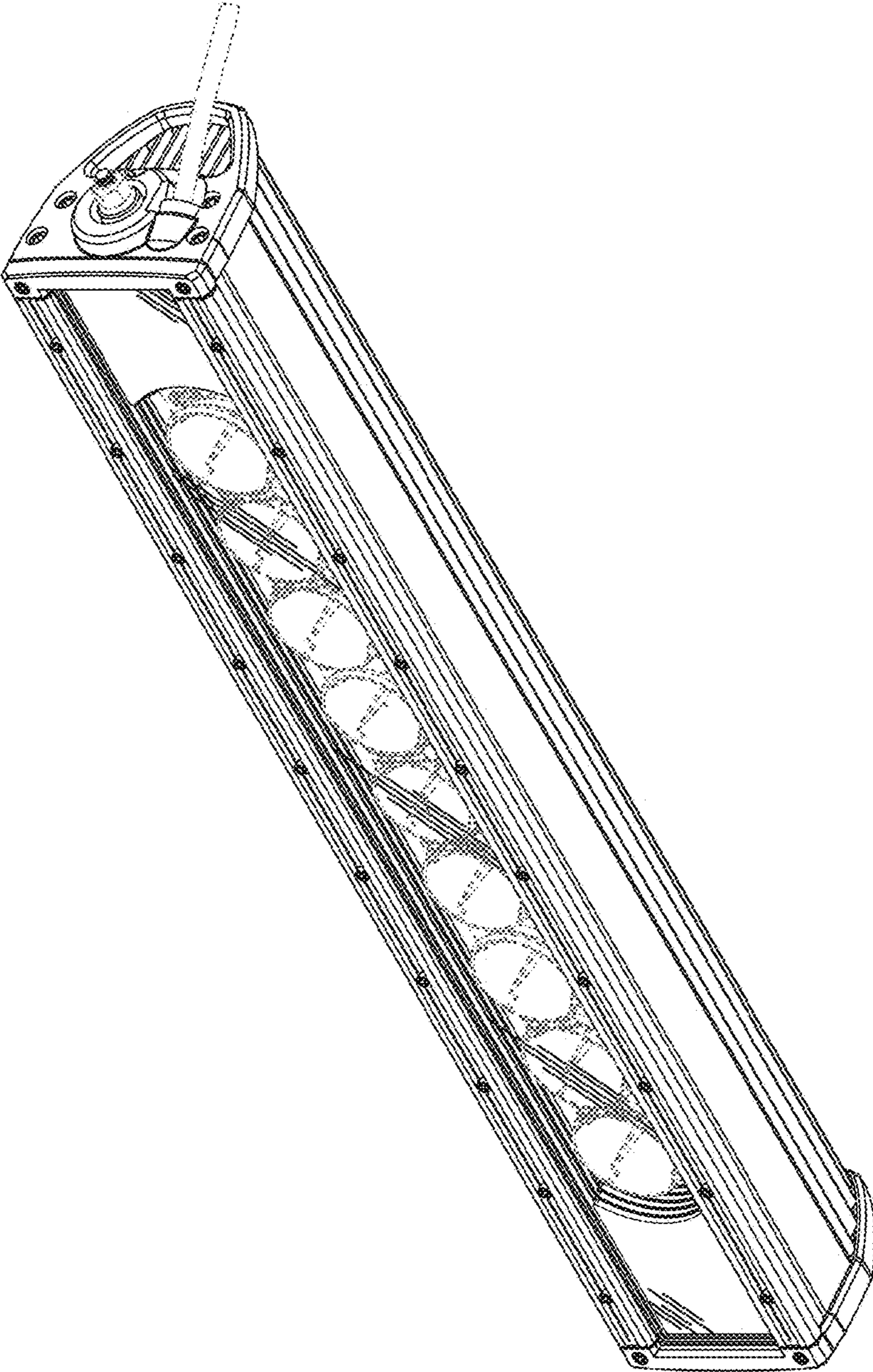


FIG. 4

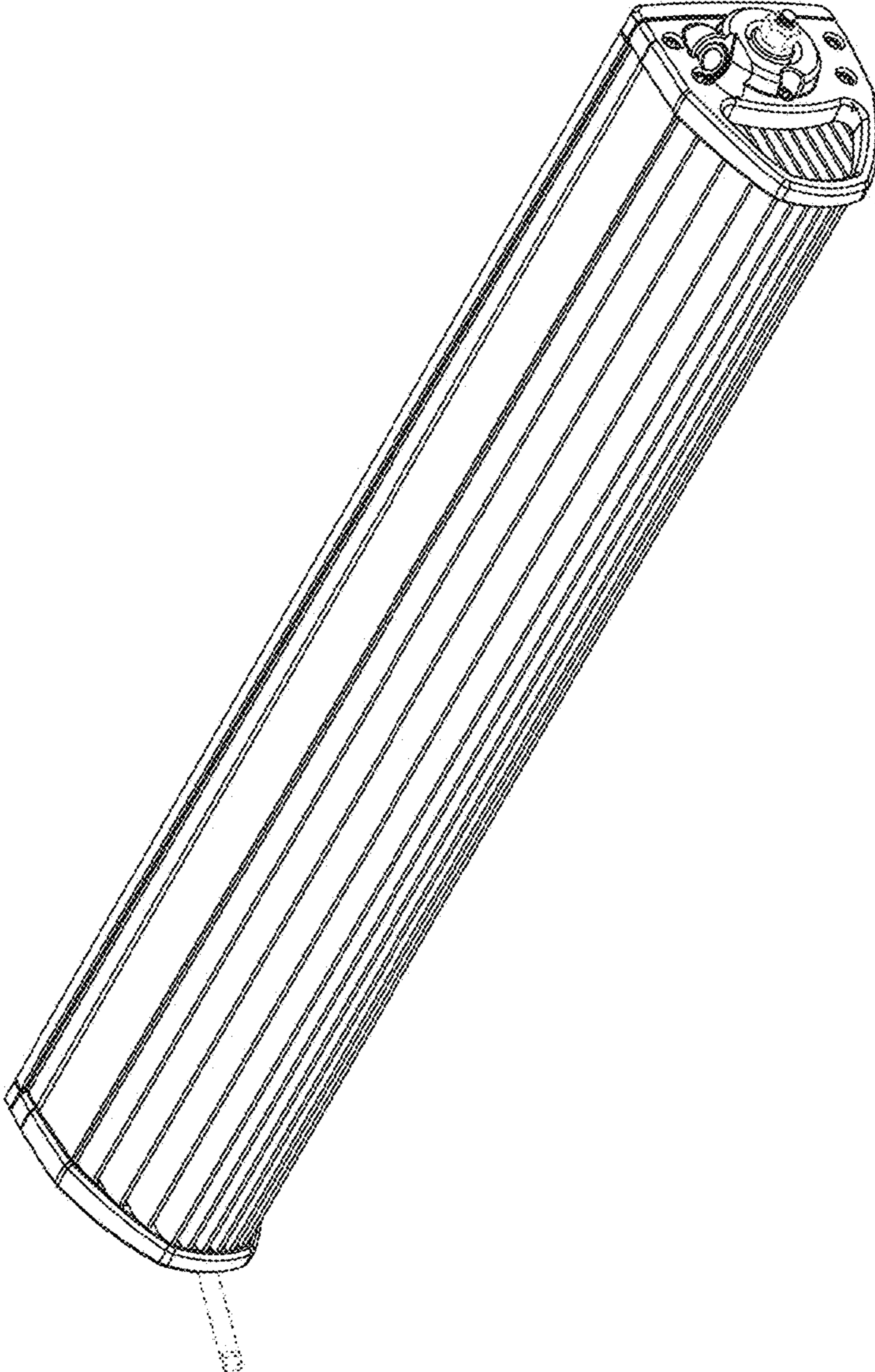


FIG. 5

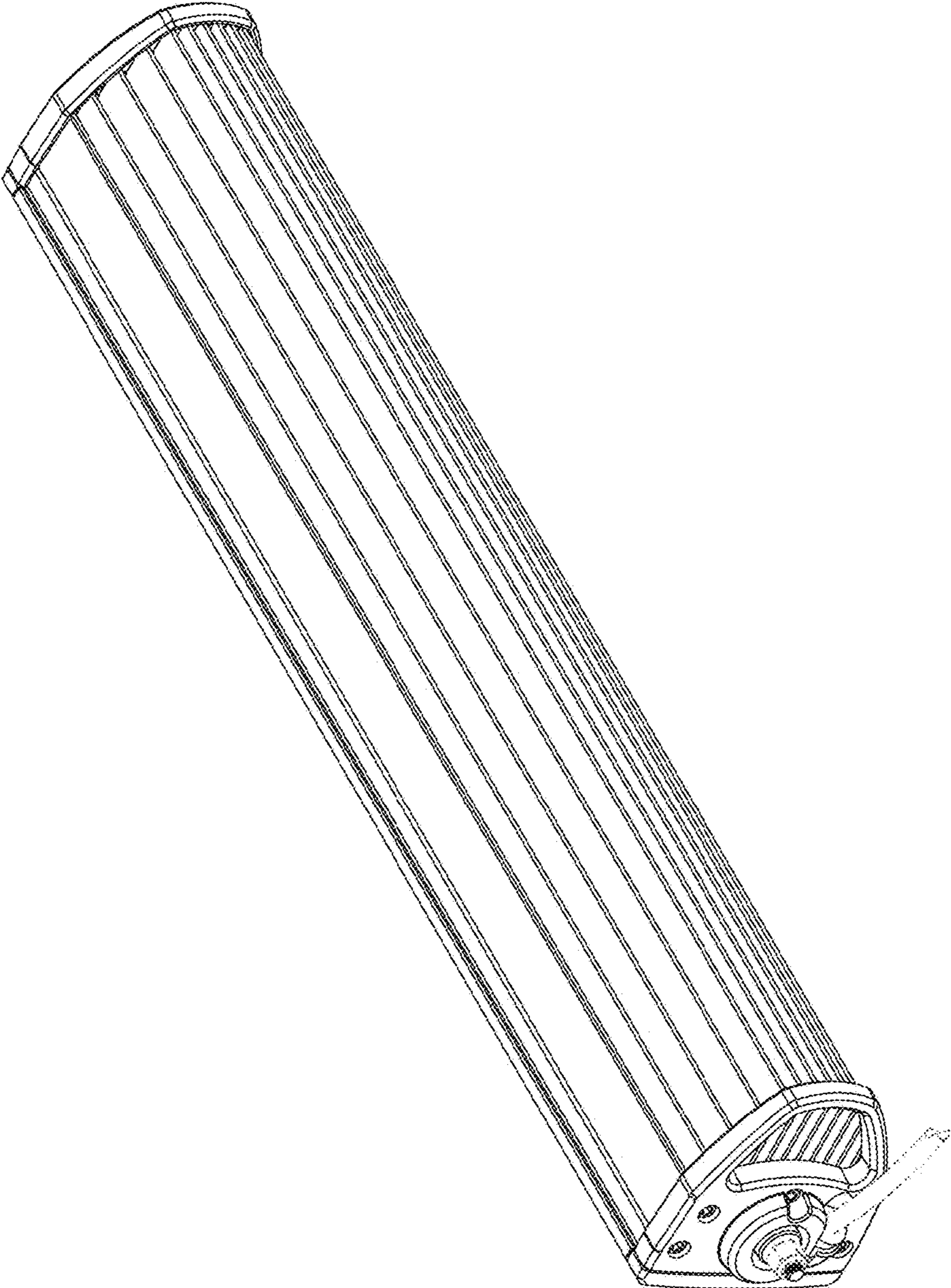


FIG. 6

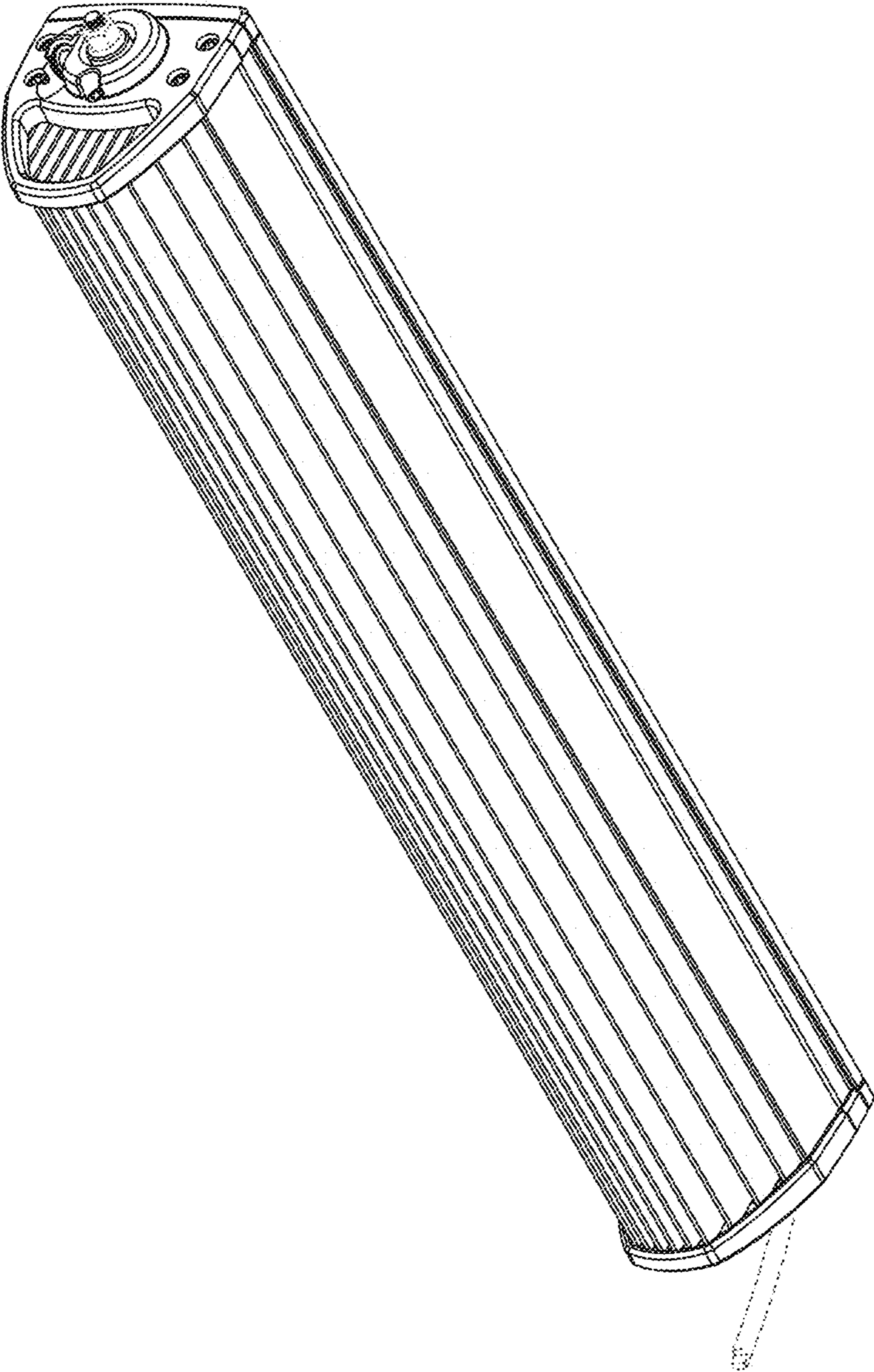


FIG. 7



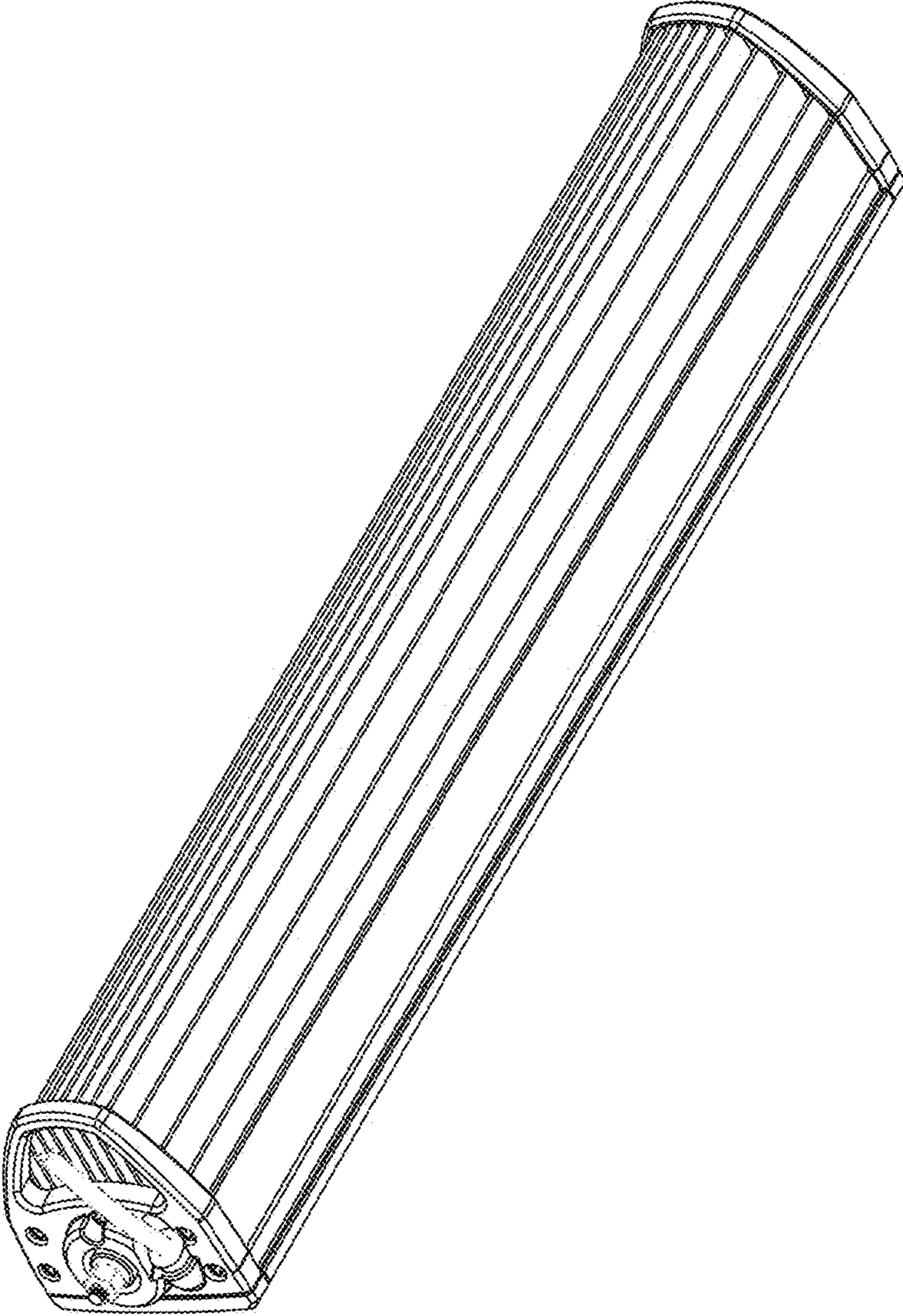


FIG. 8

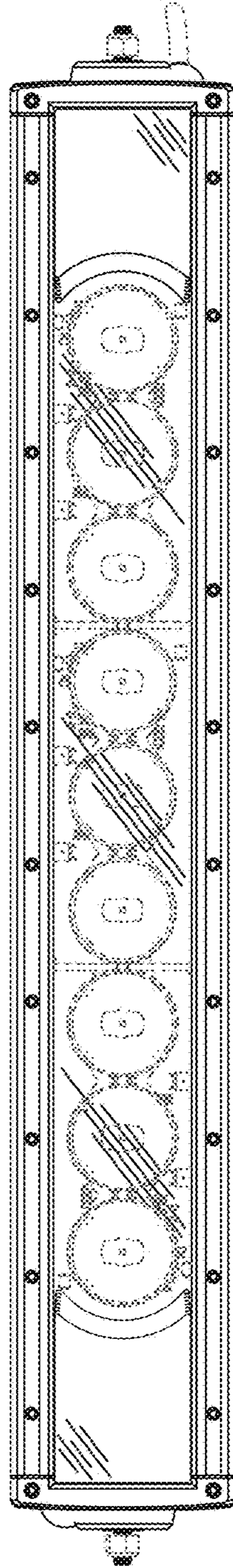


FIG. 9

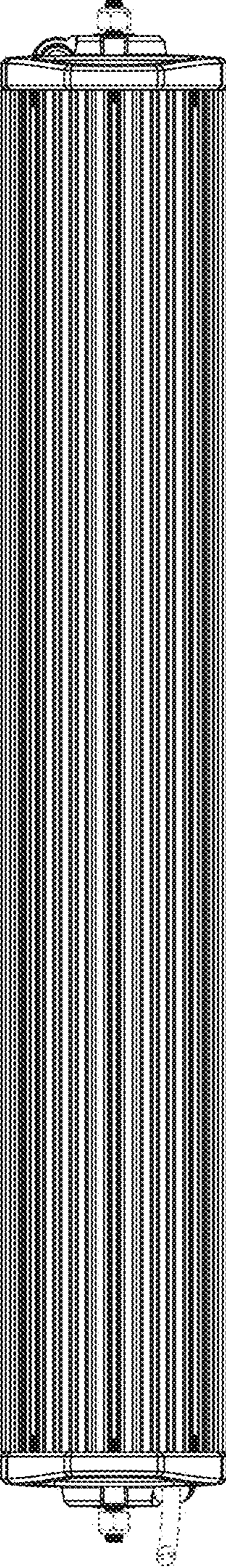


FIG. 10

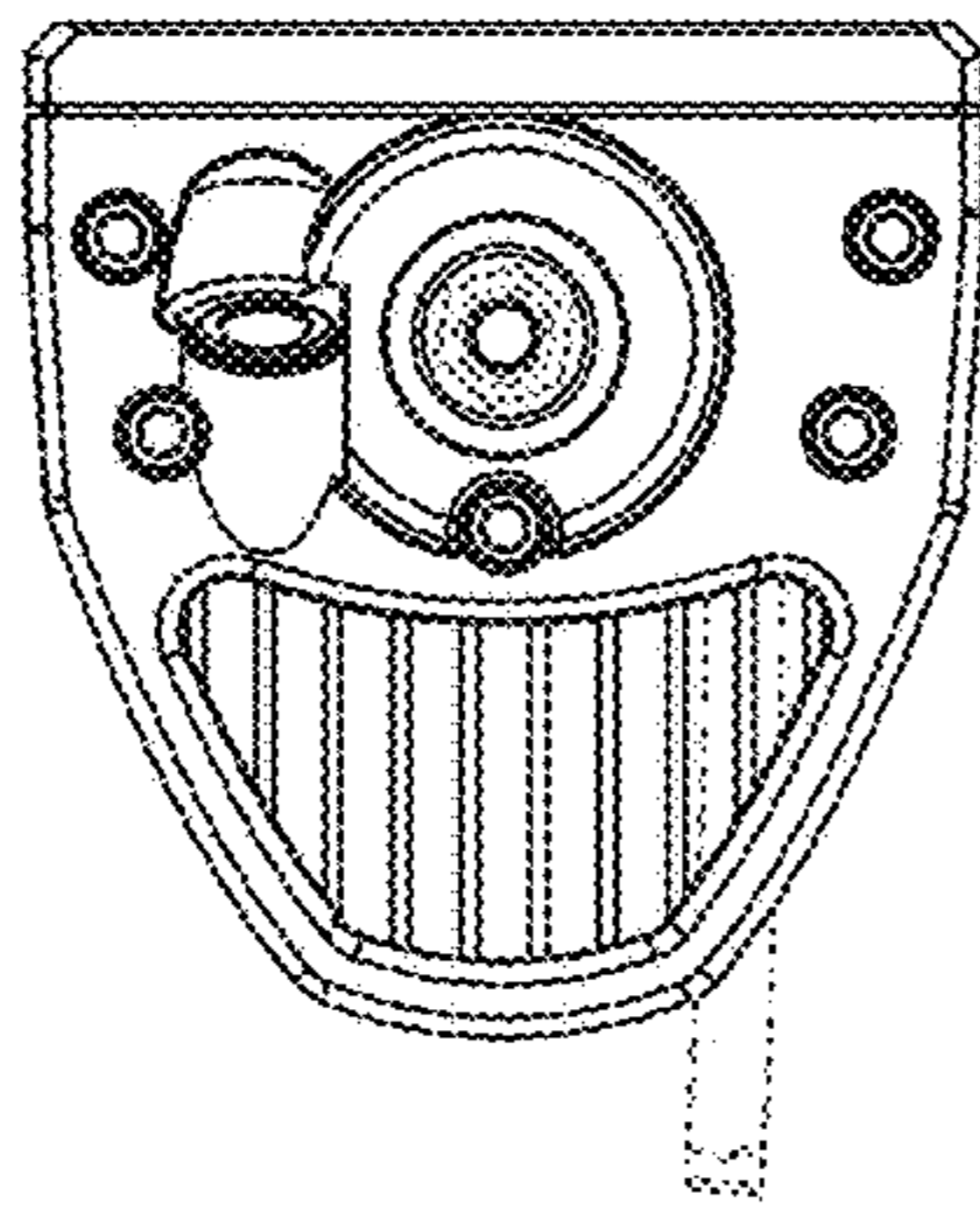


FIG. 11

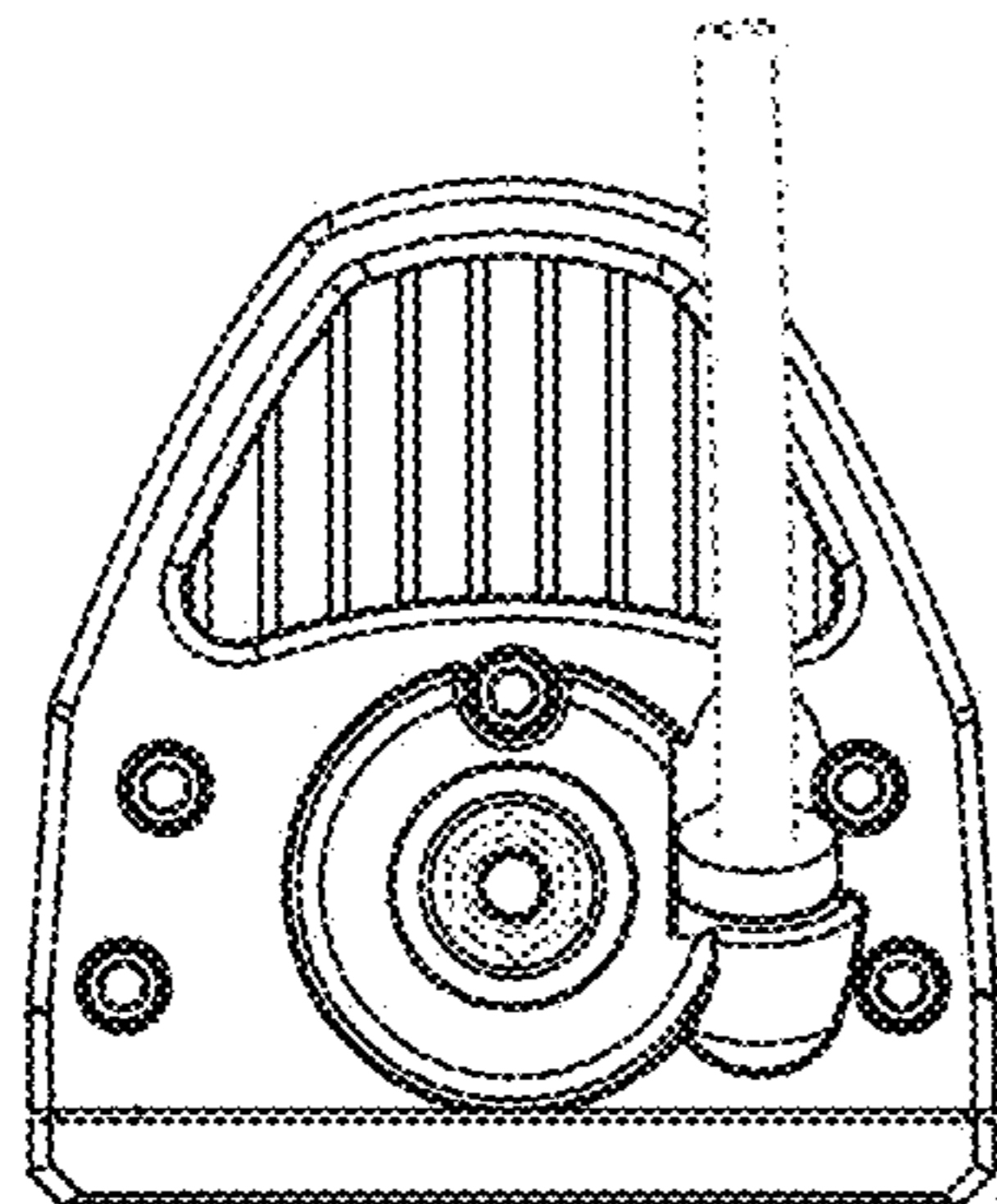


FIG. 12

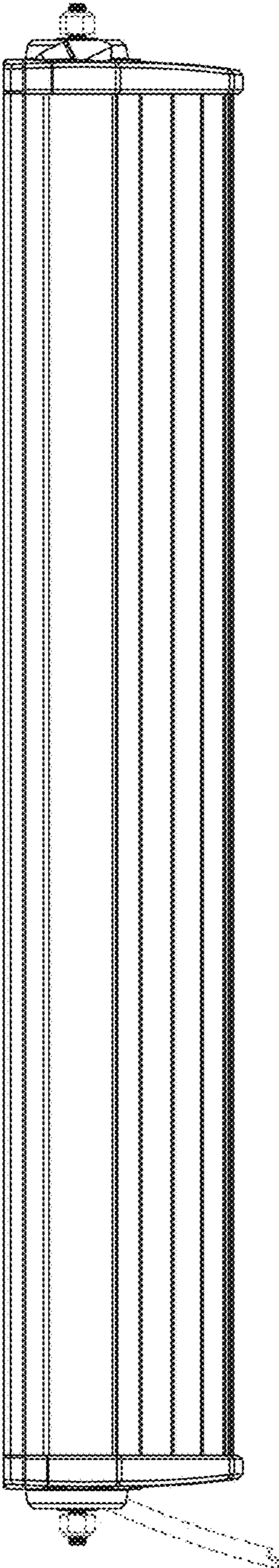


FIG. 13

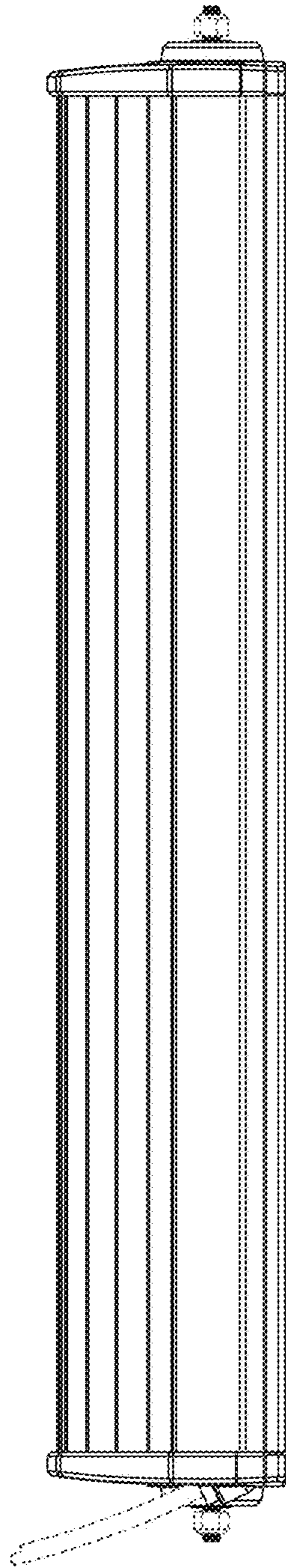


FIG. 14