



US00D775388S

(12) **United States Design Patent** (10) **Patent No.:** **US D775,388 S**  
**Bucher et al.** (45) **Date of Patent:** **\*\* Dec. 27, 2016**

(54) **VEHICLE TAIL LAMP**

- (71) Applicant: **Ford Global Technologies, LLC**, Dearborn, MI (US)
- (72) Inventors: **George Bucher**, Dearborn, MI (US); **Dean Carbis**, Bloomfield Hills, MI (US); **Steven Gilmore**, Farmington Hills, MI (US)
- (73) Assignee: **Ford Global Technologies, LLC**, Dearborn, MI (US)

(\*\*) Term: **15 Years**

(21) Appl. No.: **29/543,702**

(22) Filed: **Oct. 27, 2015**

(51) **LOC (10) Cl.** ..... **26-06**

(52) **U.S. Cl.**  
USPC ..... **D26/28**

(58) **Field of Classification Search**  
 USPC ..... D26/28-36; 362/61, 80-83, 267-269, 362/459-468, 475-478, 485-487  
 CPC ..... F21S 48/00; F21S 48/10; F21S 48/115; F21S 48/225; F21S 48/1233; F21S 48/1266; F21S 48/1388; F21S 48/2268; F21V 21/04

See application file for complete search history.

(56) **References Cited**

**U.S. PATENT DOCUMENTS**

D528,681 S *	9/2006	Nakahara	.....	D26/28
D528,685 S *	9/2006	Yoshida	.....	D26/28
D544,114 S *	6/2007	Ohta	.....	D26/28
D549,857 S *	8/2007	Lin	.....	D26/28
D561,358 S *	2/2008	Tachibana	.....	D26/28
D615,222 S	5/2010	Gueler et al.		
D660,483 S	5/2012	Gotschke et al.		

**OTHER PUBLICATIONS**

- Bob Nagy <http://www.kbb.com/car-news/all-the-latest/2017-Ford-escape-spied/2000012056> 2017 Ford Escape spied, dated May 15, 2015.
- Mark McNabb <http://www.topspeed.com/trucks/truck-reviews/Ford/2017-Ford-escape-ar169435> 2017 Ford Escape dated May 18, 2015.
- Alexander Stoklosa <http://www.caranddriver/news/2017-Ford-escape-spy-photos-news> 2017 Ford Escape Spy Photos dated May 2015.
- Unknown <http://www.autoblog.com/2015/06/25/2017-Ford-escape-spy-shots> New Ford Escape spied inside and out dated Jun. 25, 2015.

\* cited by examiner

*Primary Examiner* — Marcus Jackson

(74) *Attorney, Agent, or Firm* — Damian Porcari

(57) **CLAIM**

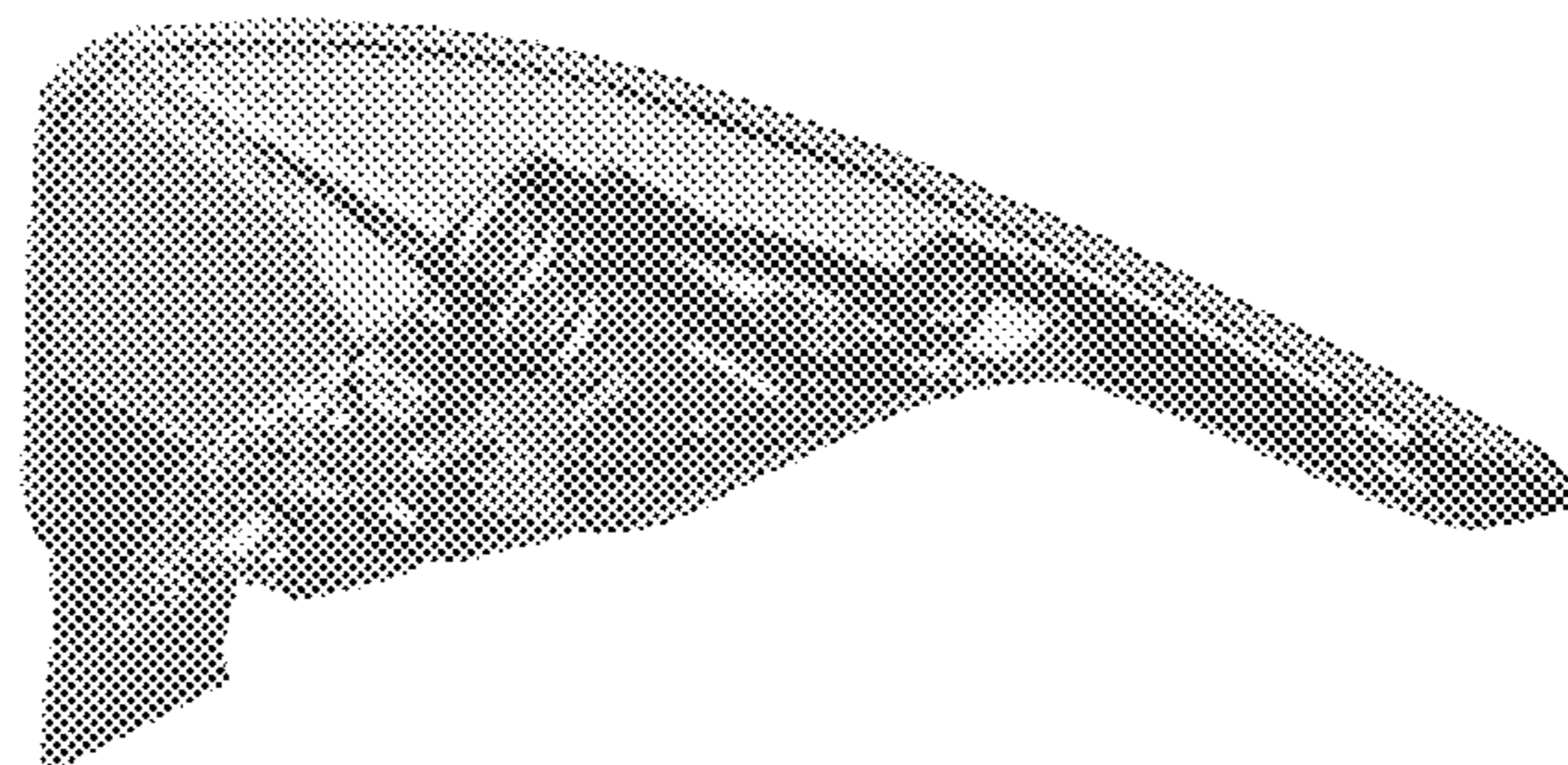
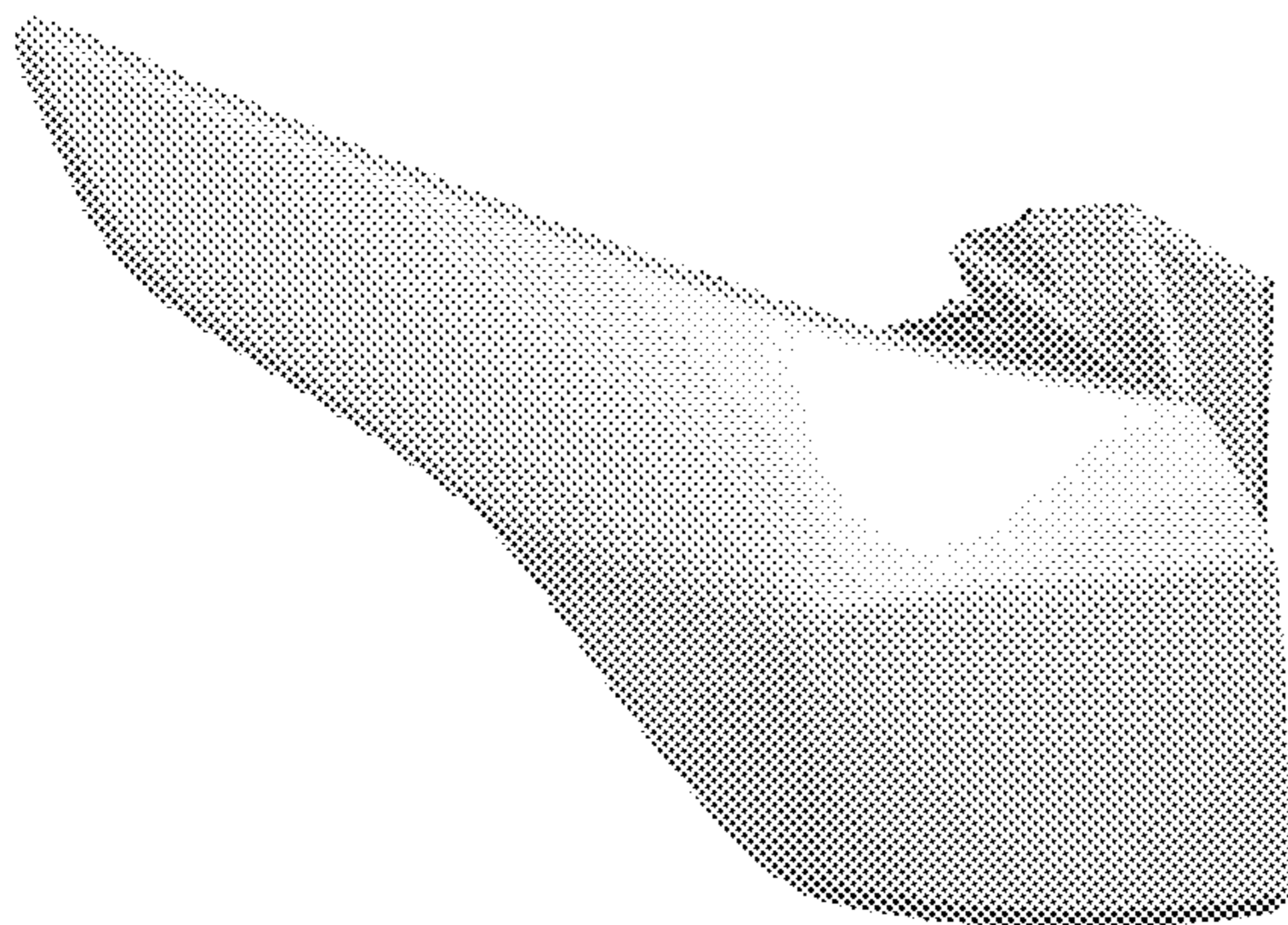
The ornamental design for a vehicle tail lamp, as shown and described.

**DESCRIPTION**

FIG. 1 is a top front perspective view of the first embodiment of a vehicle tail lamp, showing our new design; FIG. 2 is a bottom front perspective view thereof; FIG. 3 is a top rear perspective view thereof; FIG. 4 is a front elevational view thereof; FIG. 5 is a rear elevational view thereof; FIG. 6 is a left side elevational view thereof; FIG. 7 is a right side elevational view thereof; FIG. 8 is a top plan view thereof; and, FIG. 9 is a bottom plan view thereof.

The second embodiment of the vehicle tail lamp is a mirror image of the first embodiment disclosed in FIGS. 1 through 9 and is not shown.

**1 Claim, 9 Drawing Sheets**



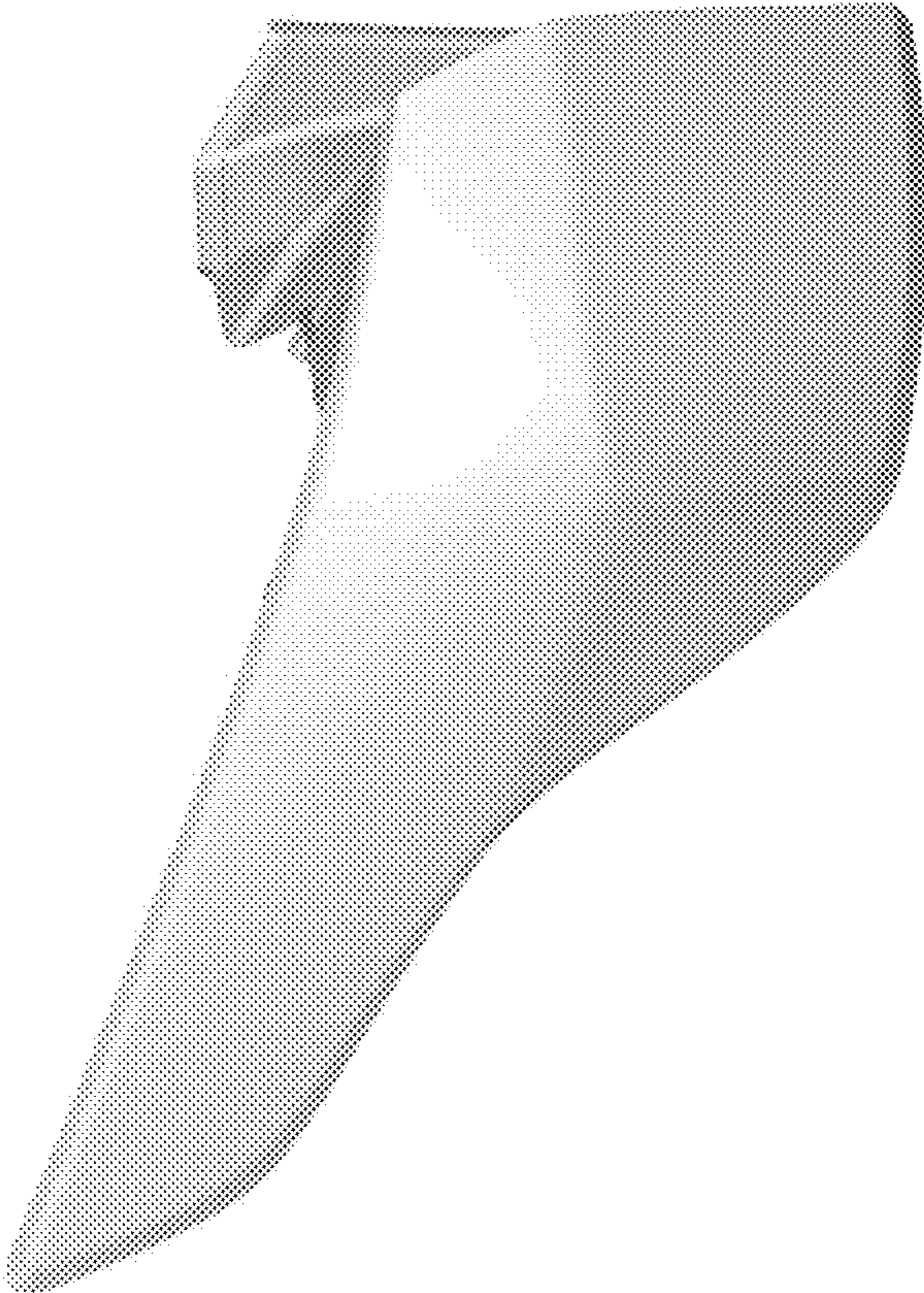


Figure 1

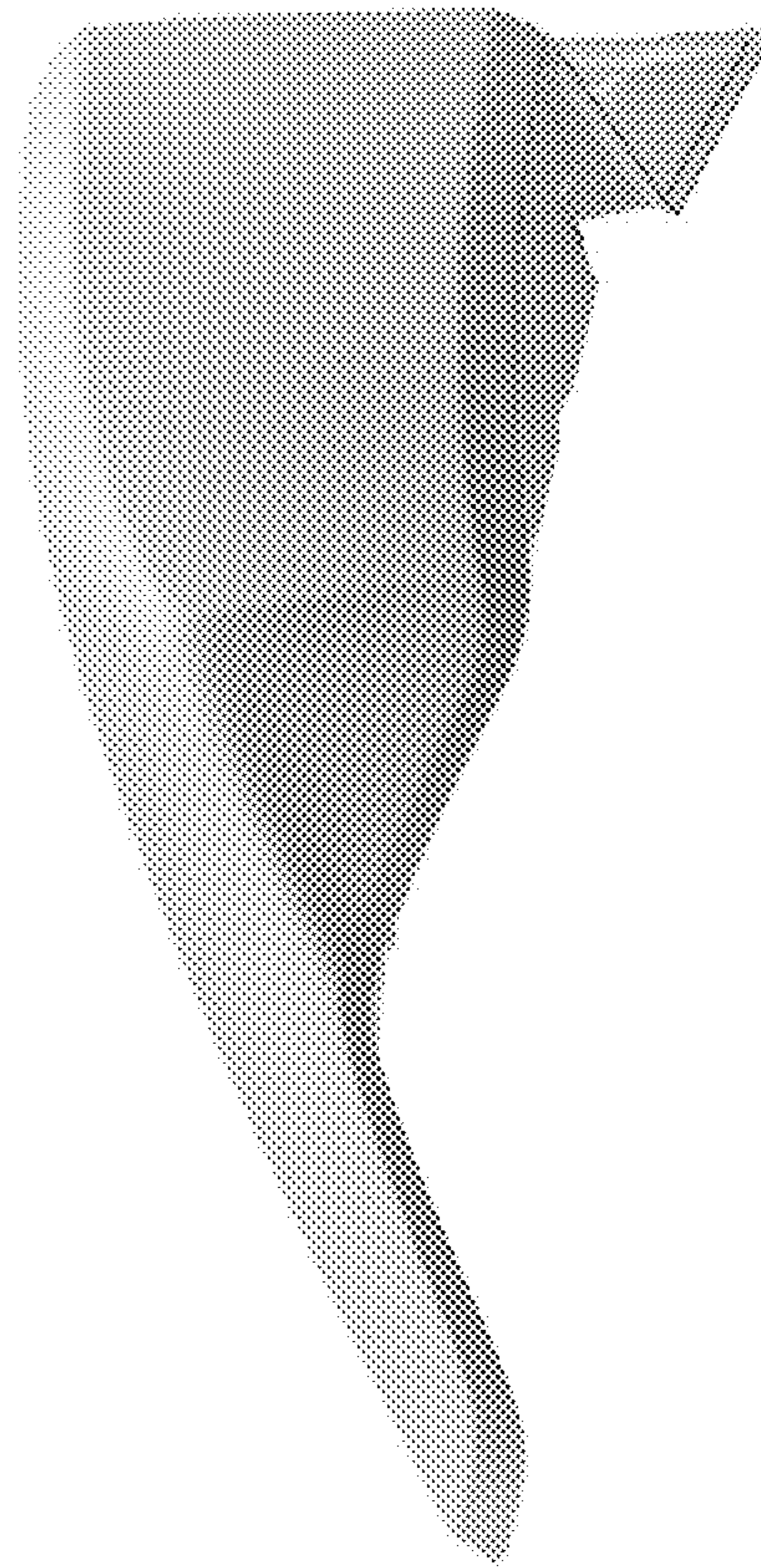


Figure 2

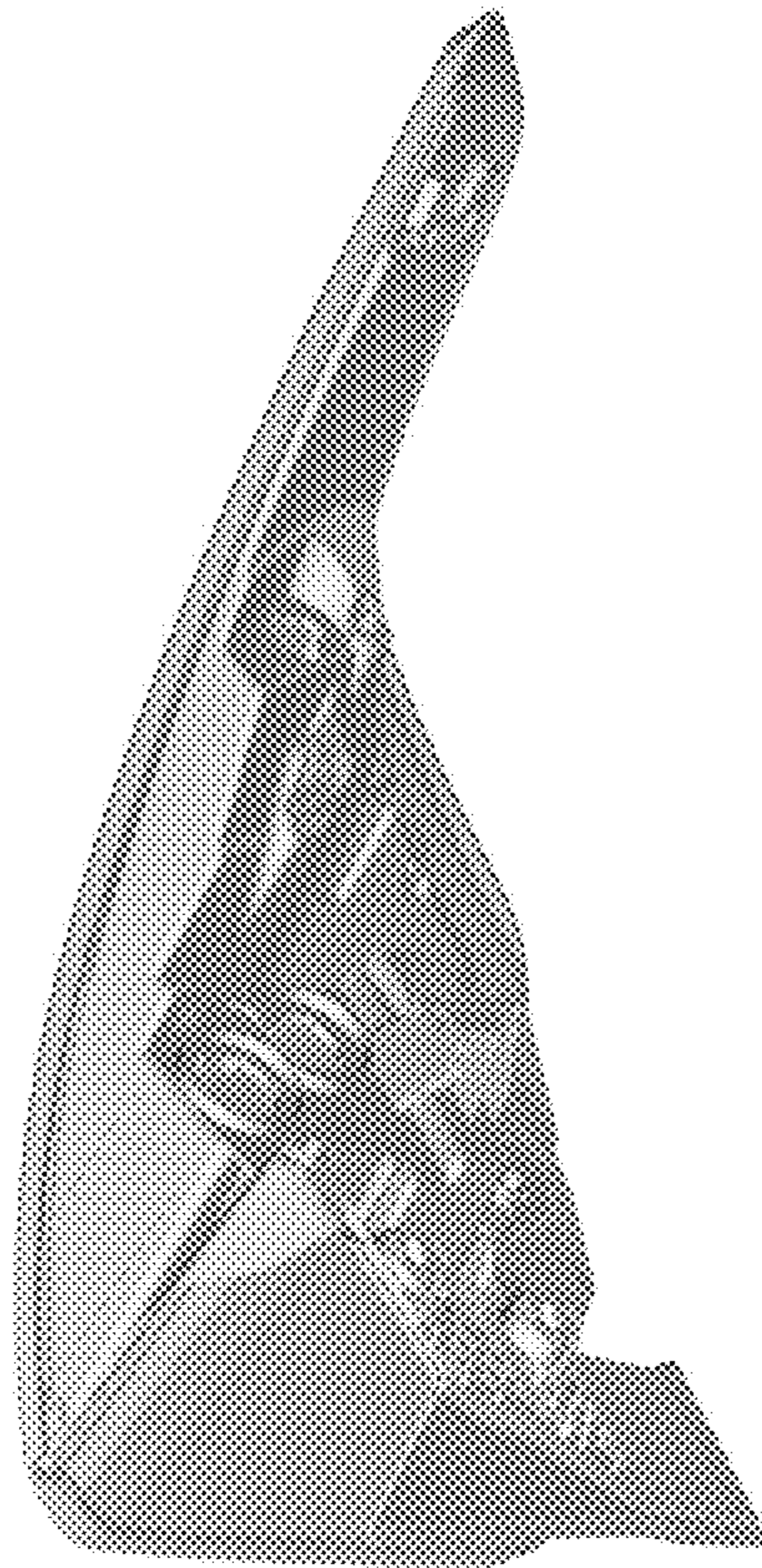


Figure 3

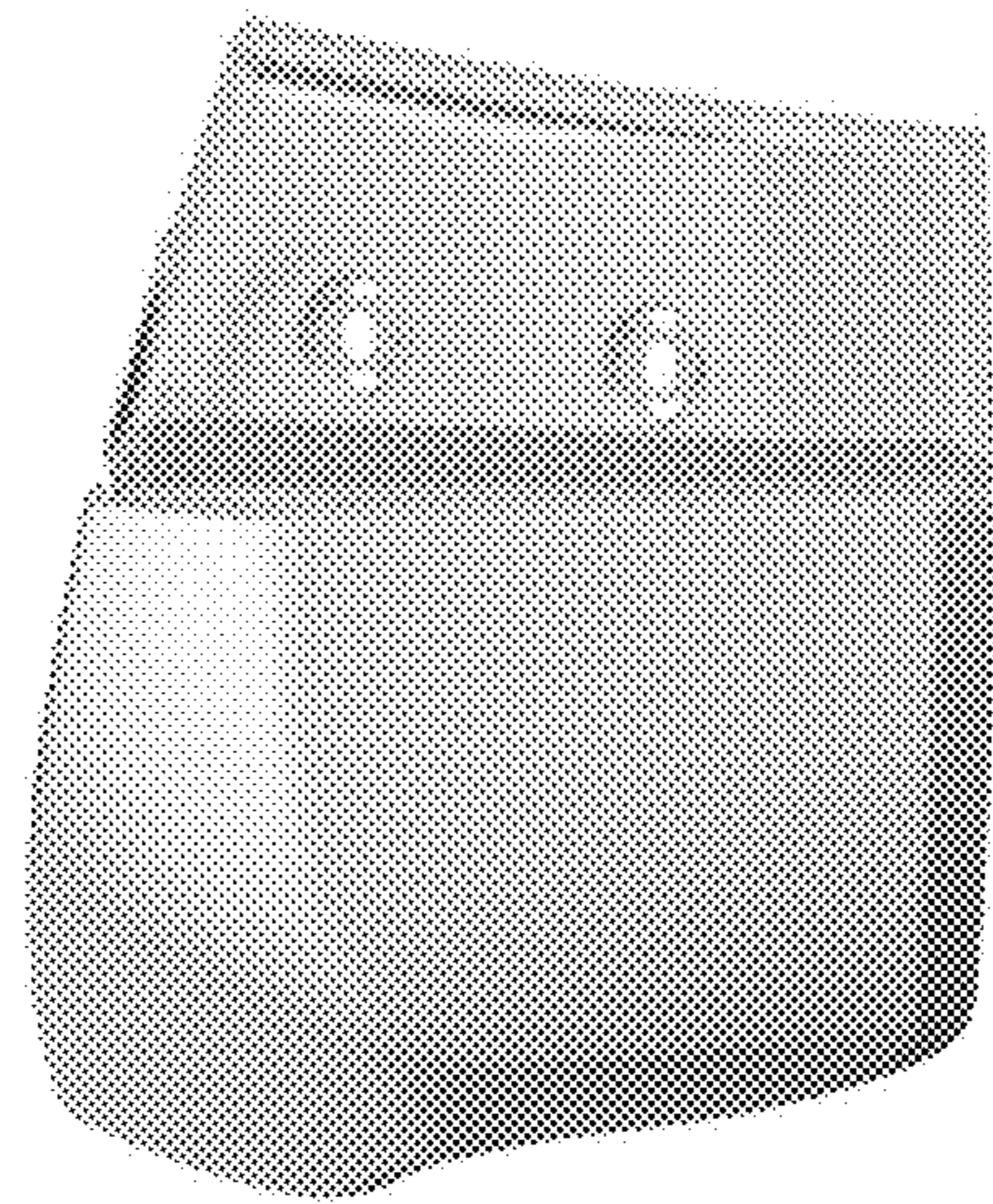


Figure 4

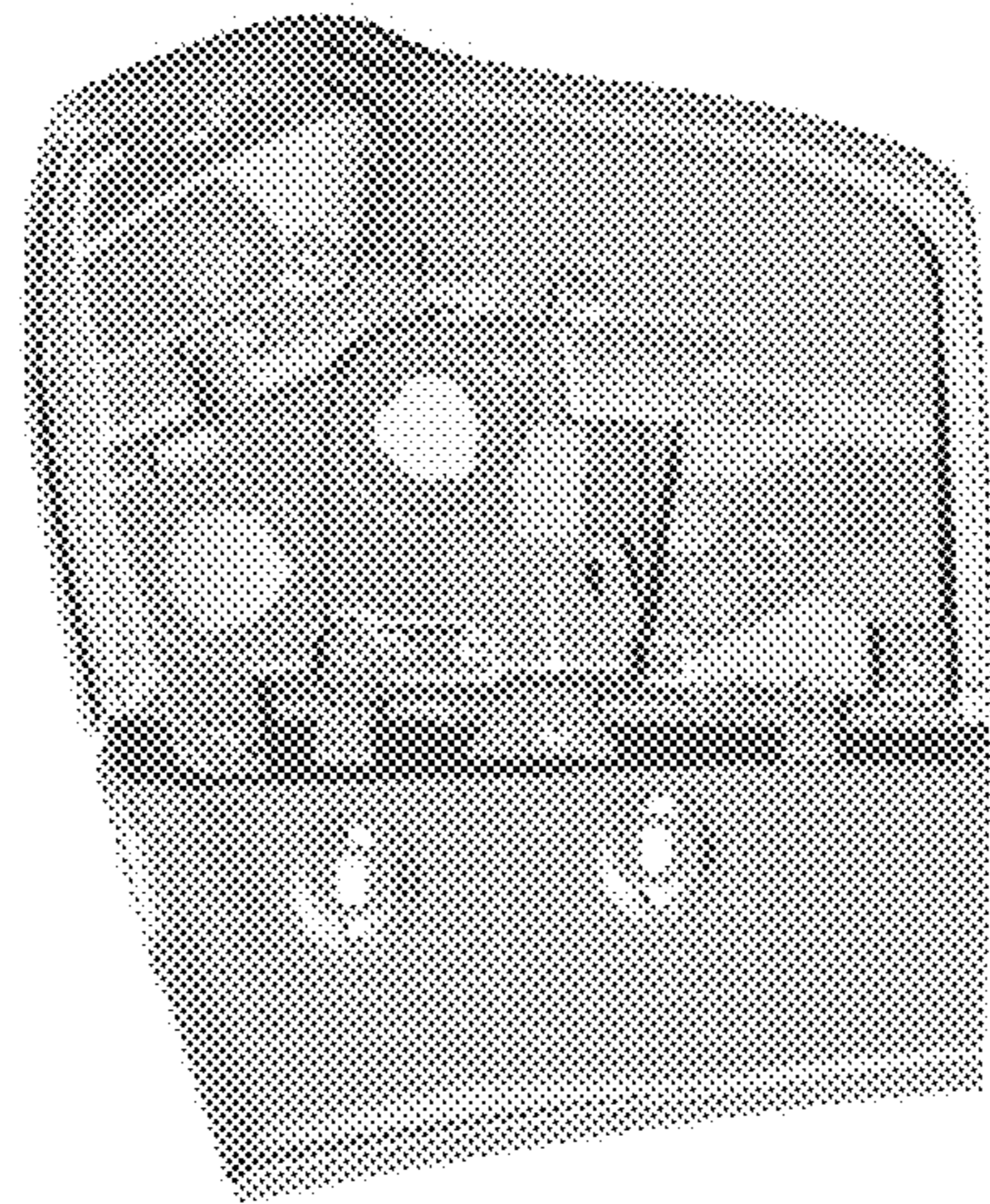


Figure 5

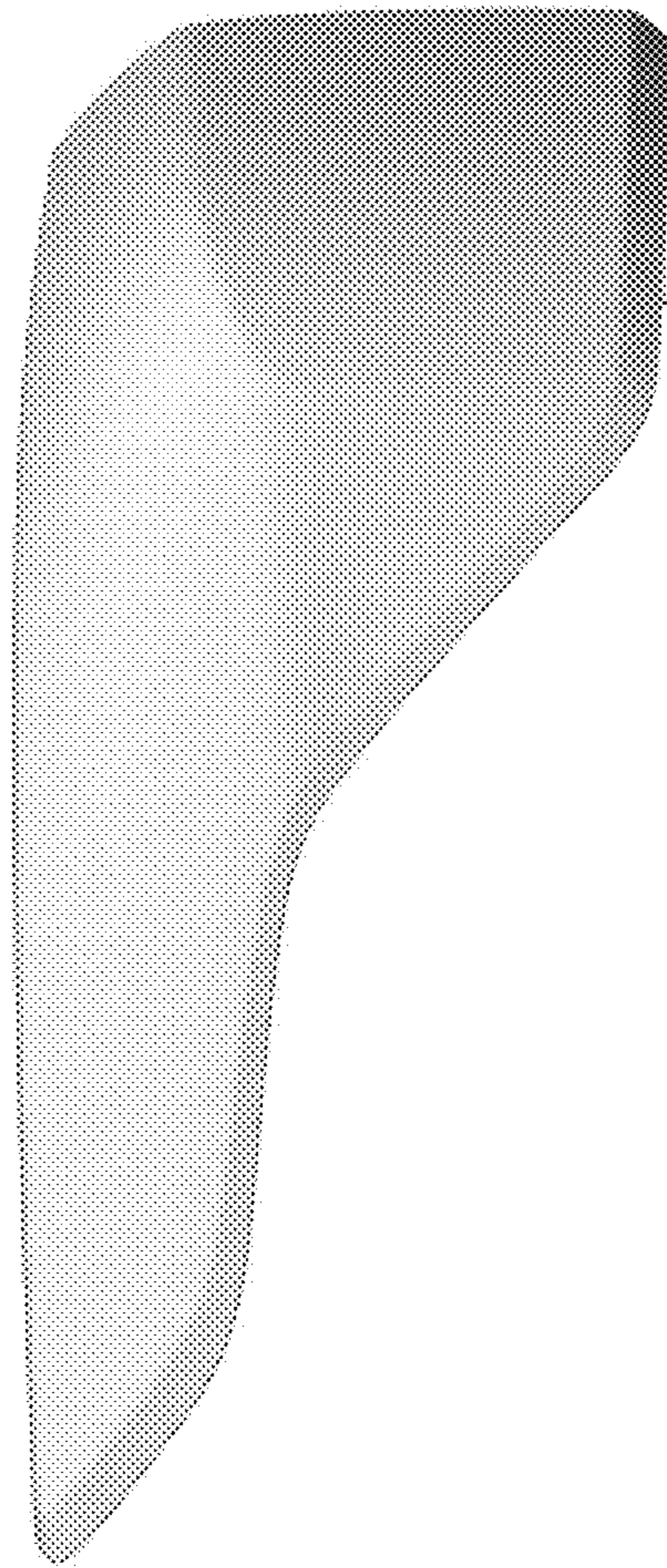


Figure 6

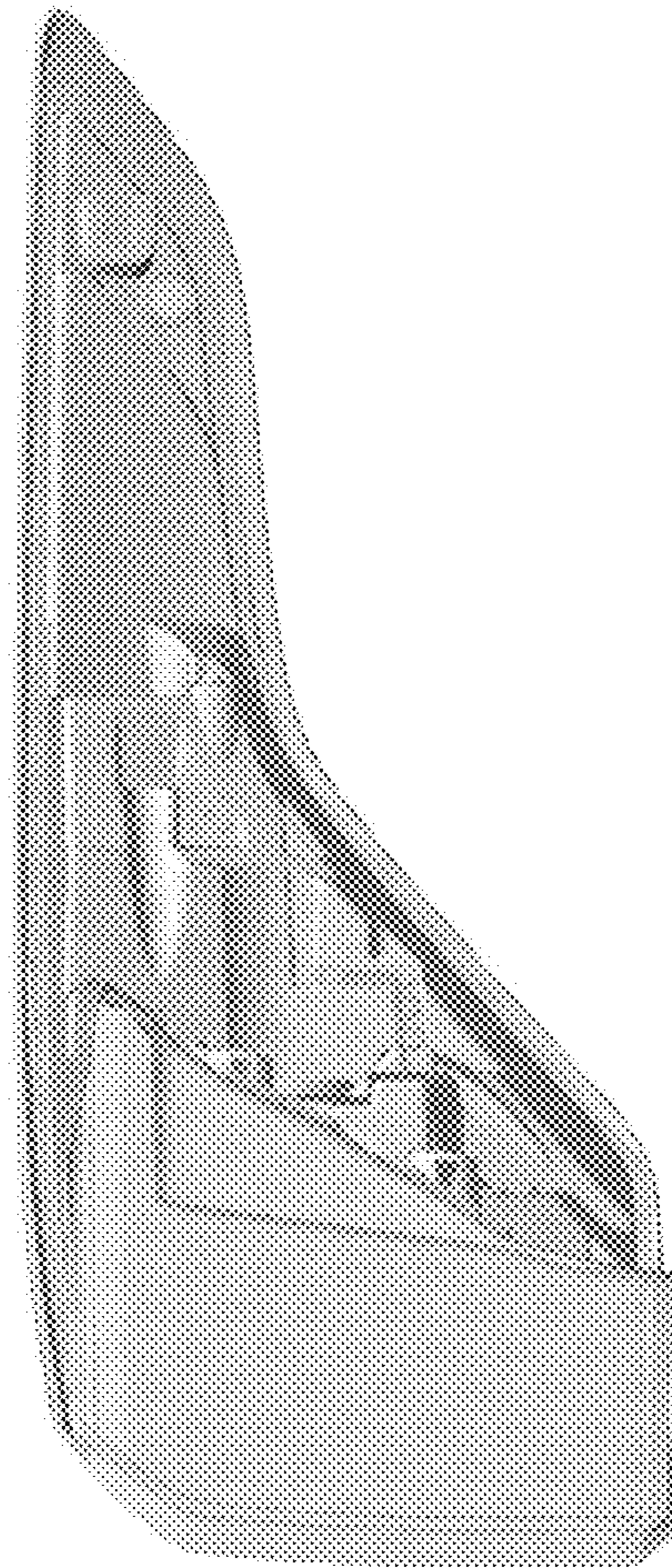


Figure 7



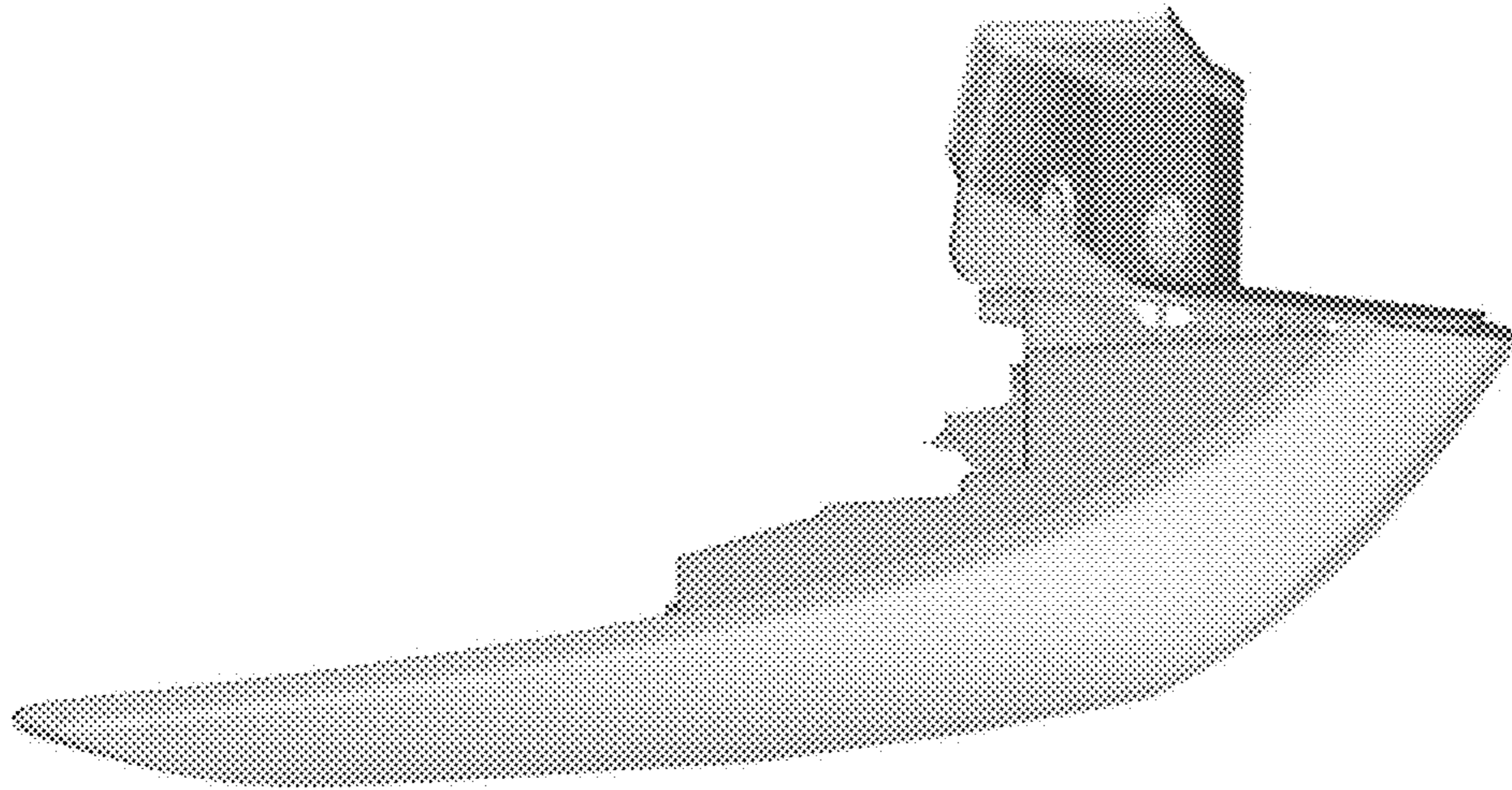


Figure 8

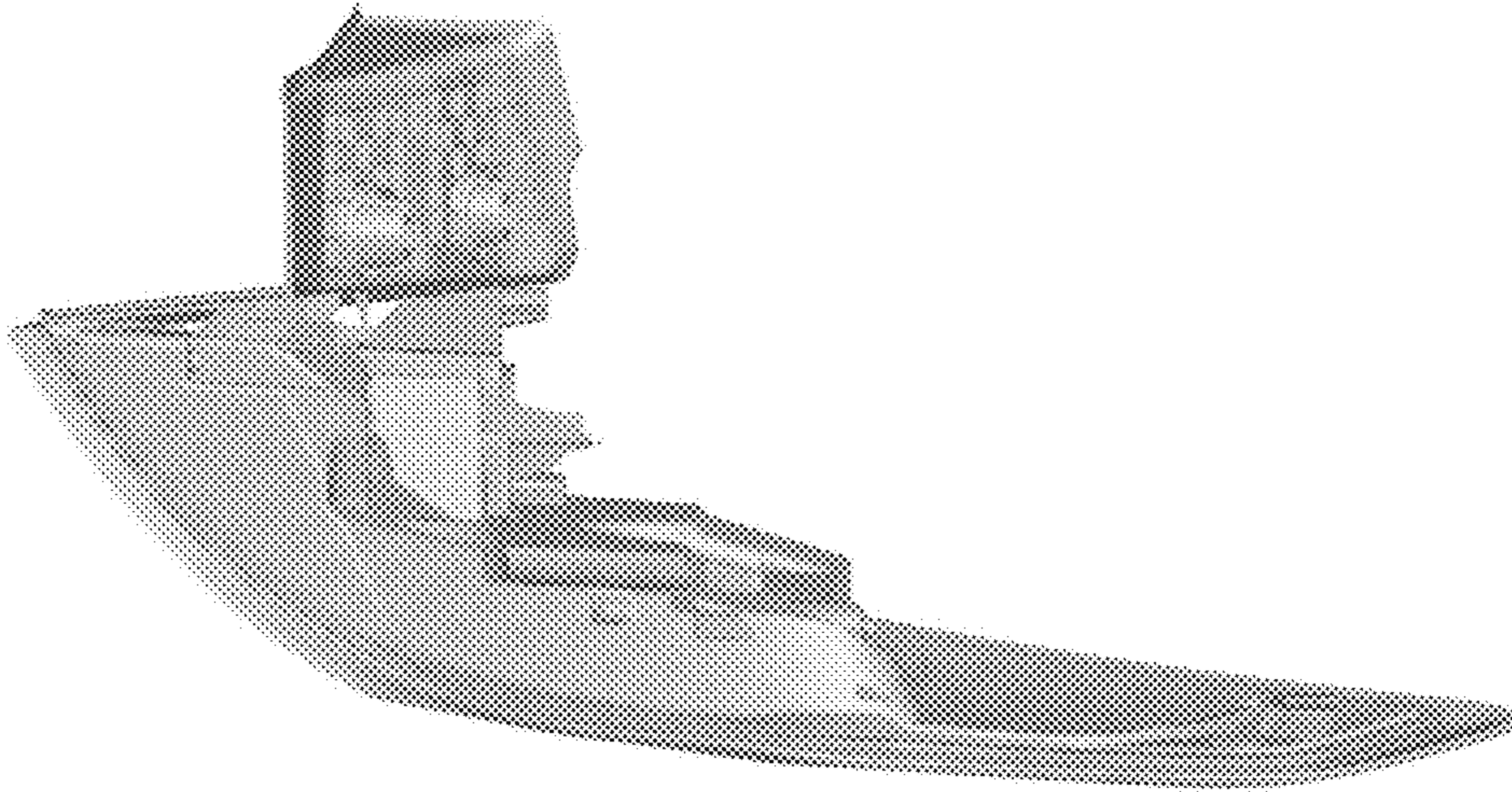


Figure 9