



US00D775387S

(12) **United States Design Patent** (10) **Patent No.:** **US D775,387 S**
Bucher et al. (45) **Date of Patent:** **** Dec. 27, 2016**

- (54) **COMBINATION TURN SIGNAL, PARKING LAMP AND FOG LAMP FOR A VEHICLE**
- (71) Applicant: **Ford Global Technologies, LLC**, Dearborn, MI (US)
- (72) Inventors: **George Bucher**, Dearborn, MI (US); **Dean Carbis**, Bloomfield Hills, MI (US)
- (73) Assignee: **Ford Global Technologies, LLC**, Dearborn, MI (US)
- (**) Term: **15 Years**
- (21) Appl. No.: **29/543,676**
- (22) Filed: **Oct. 27, 2015**
- (51) **LOC (10) Cl.** **26-06**
- (52) **U.S. Cl.**
USPC **D26/28**
- (58) **Field of Classification Search**
USPC D26/28-36; 362/61, 80-83, 267-269, 362/459-468, 475-478, 485-487
CPC F21S 48/00; F21S 48/10; F21S 48/115; F21S 48/225; F21S 48/1233; F21S 48/1266; F21S 48/1388; F21S 48/2268; F21V 21/04; B60Q 1/02; B60Q 1/04
See application file for complete search history.

- (56) **References Cited**
U.S. PATENT DOCUMENTS
D490,172 S * 5/2004 Yamamoto D26/28
D521,162 S * 5/2006 Campagna D26/28
D532,537 S * 11/2006 Shiu D26/39
D564,683 S * 3/2008 Roach D26/28
D570,011 S * 5/2008 Huang D26/28

- D638,963 S * 5/2011 Huang D26/28
- D660,478 S 5/2012 Gotschke et al.
- D660,479 S 5/2012 Gotschke et al.
- D660,480 S 5/2012 Gotschke et al.

OTHER PUBLICATIONS

Bob Nagy <http://www.kbb.com/car-news/all-the-latest/2017-Ford-escape-spied/2000012056> 2017 Ford Escape spied, dated May 15, 2015.
Mark McNabb <http://www.topspeed.com/trucks/truck-reviews/Ford/2017-Ford-escape-ar169435.html> 2017 Ford Escape dated May 18, 2015.

(Continued)

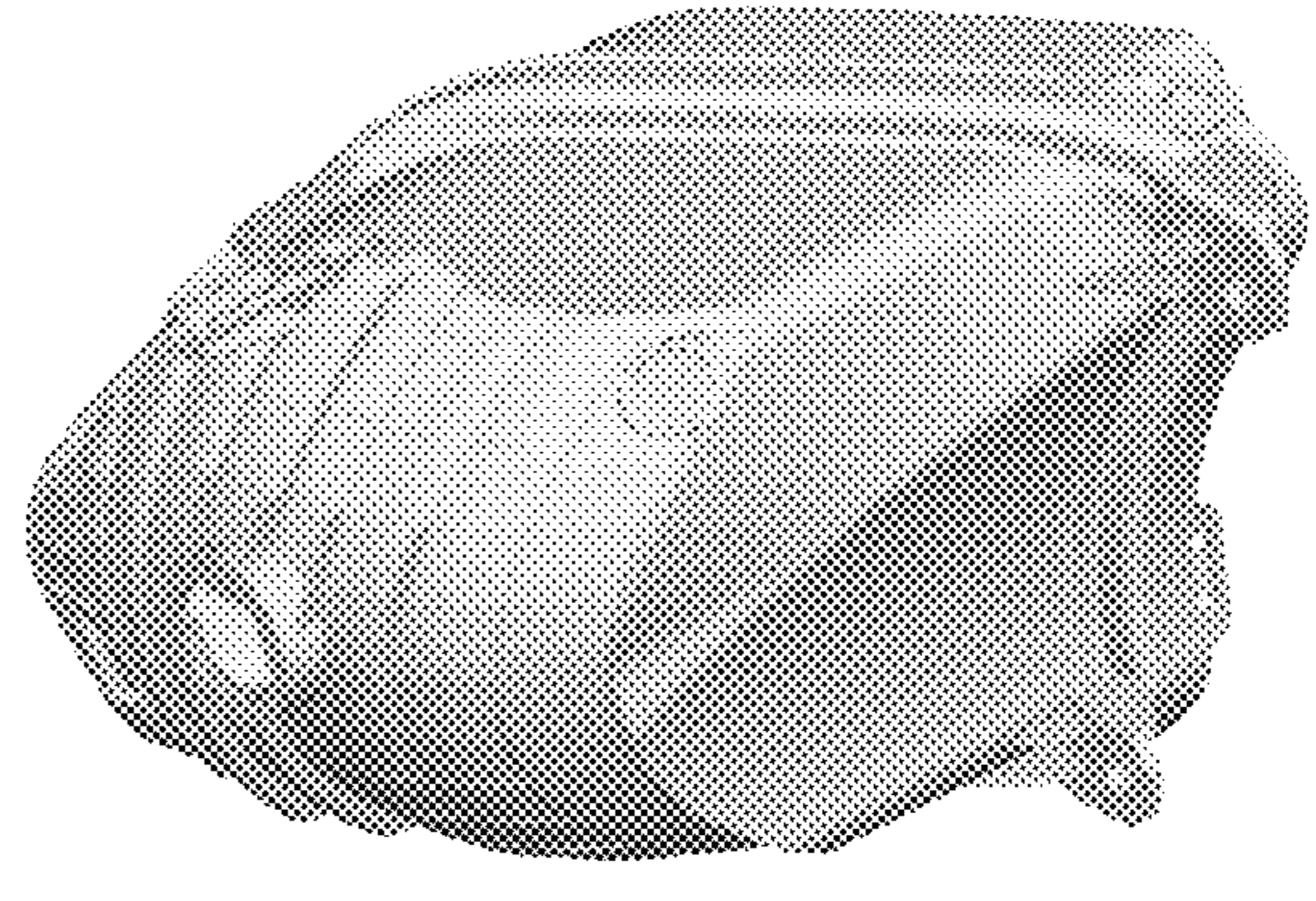
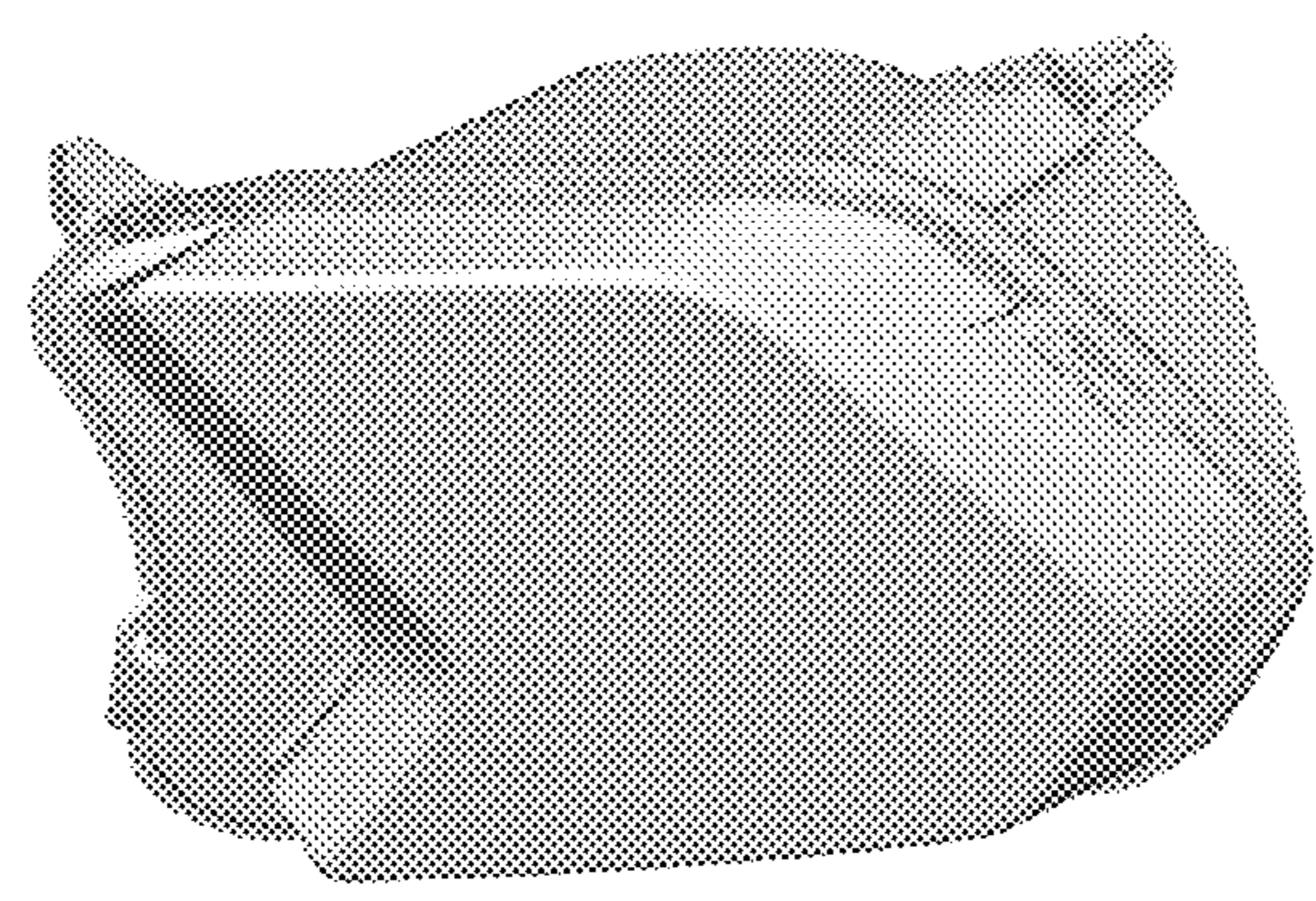
Primary Examiner — Marcus Jackson
(74) *Attorney, Agent, or Firm* — Damian Porcari

(57) **CLAIM**
The ornamental design for a combination turn signal, parking lamp and fog lamp for a vehicle, as shown and described.

DESCRIPTION

FIG. 1 is a top front perspective view of the first embodiment of combination turn signal, parking lamp, and fog lamp for a vehicle, showing our new design;
FIG. 2 is a bottom front perspective view thereof;
FIG. 3 is a top rear perspective view thereof;
FIG. 4 is a front elevational view thereof;
FIG. 5 is a rear elevational view thereof;
FIG. 6 is a left side elevational view thereof;
FIG. 7 is a right side elevational view thereof;
FIG. 8 is a top plan view thereof; and,
FIG. 9 is a bottom plan view thereof.
The second embodiment of combination turn signal, parking lamp, and fog lamp for a vehicle is a mirror image of the first embodiment disclosed in FIGS. 1 through 9 and is not shown.

1 Claim, 9 Drawing Sheets



(56)

References Cited

OTHER PUBLICATIONS

Alexander Stoklosa <http://www.caranddriver/news/2017-Ford-escape-spy-photos-news> 2017 Ford Escape Spy Photos dated May 2015.

Unknown <http://www.autoblog.com/2015/06/25/2017/Ford-escape-spy-shots> New Ford Escape spied inside and out dated Jun. 25, 2015.

* cited by examiner

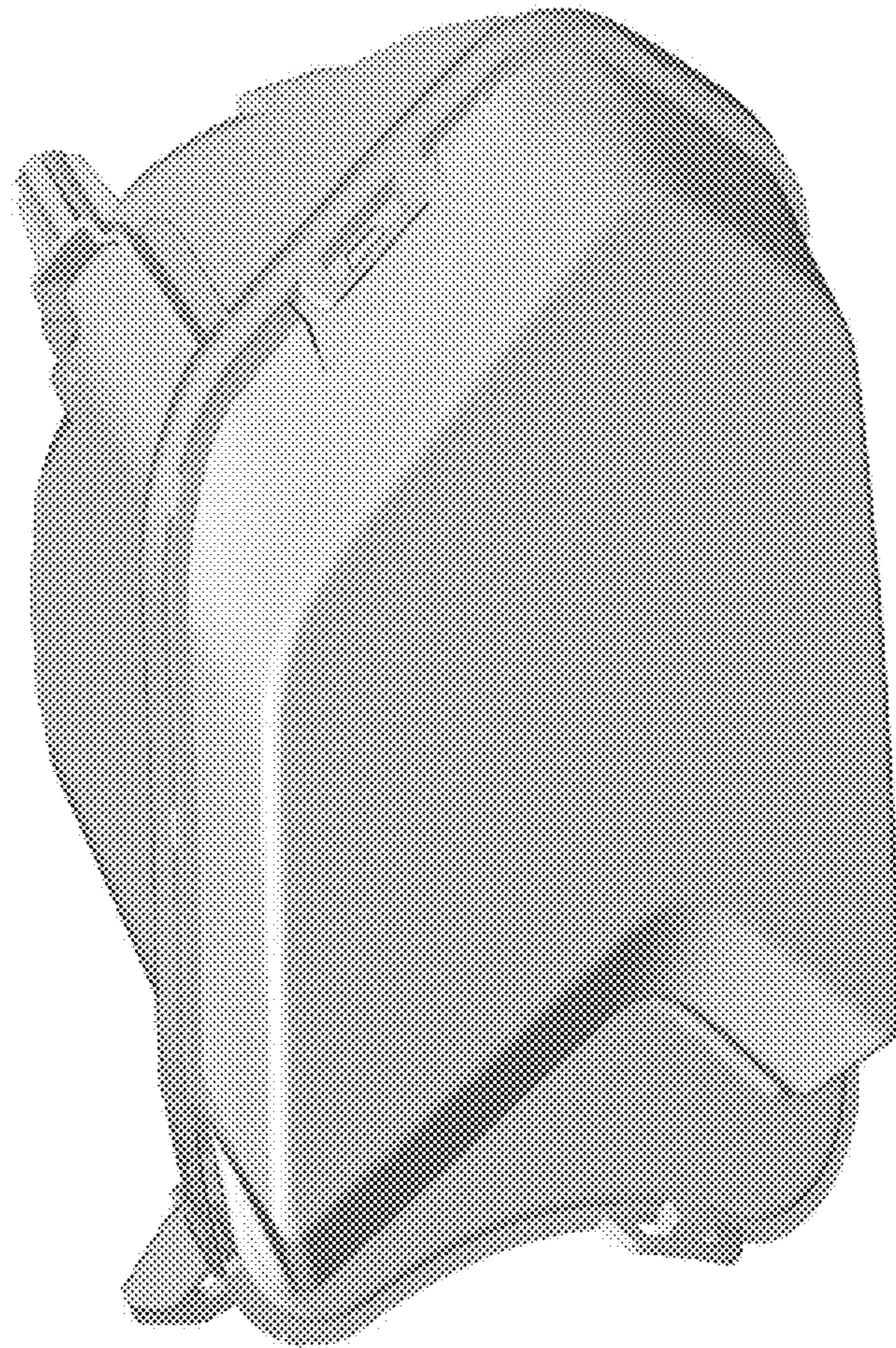


Figure 1

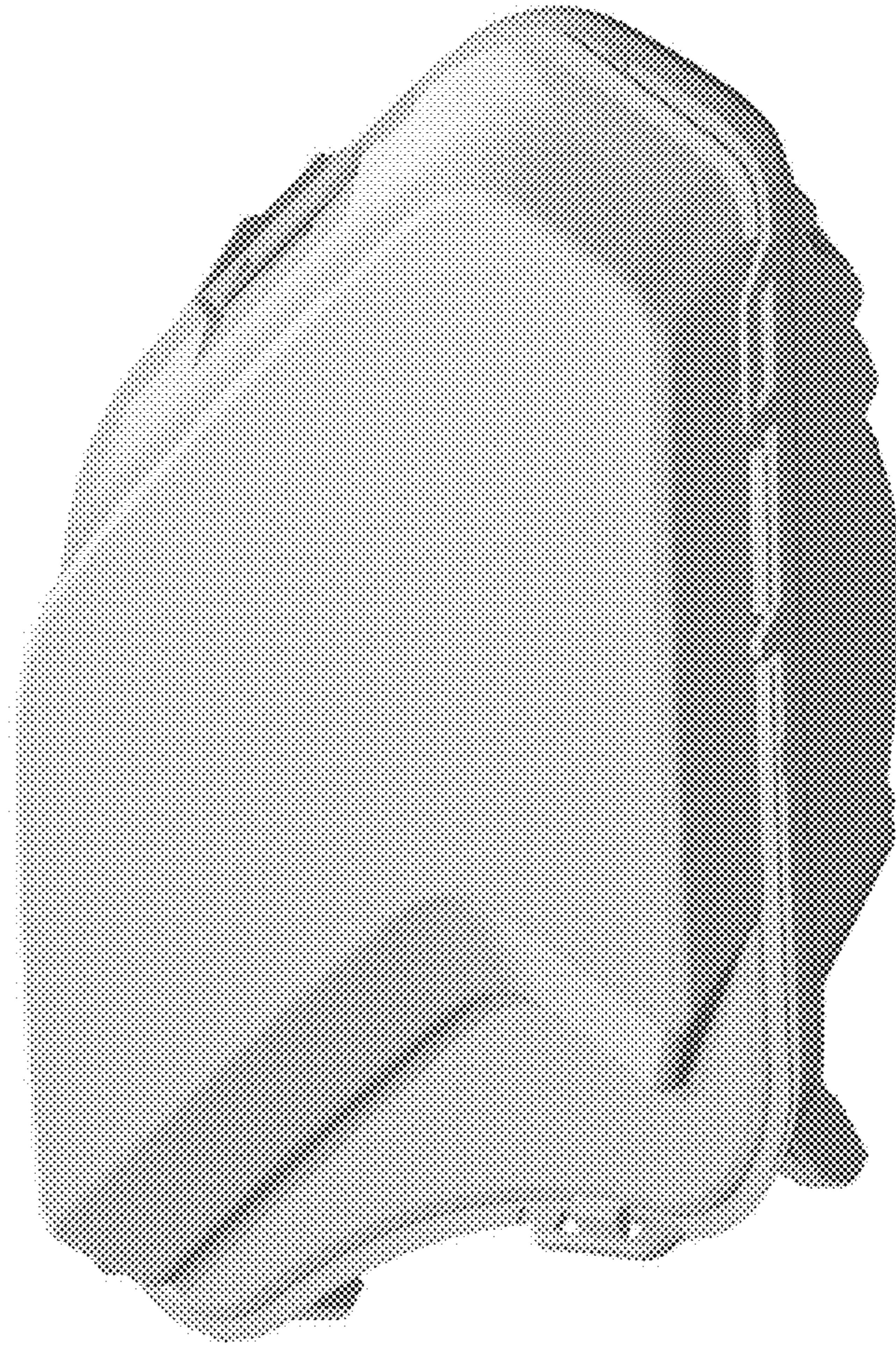


Figure 2

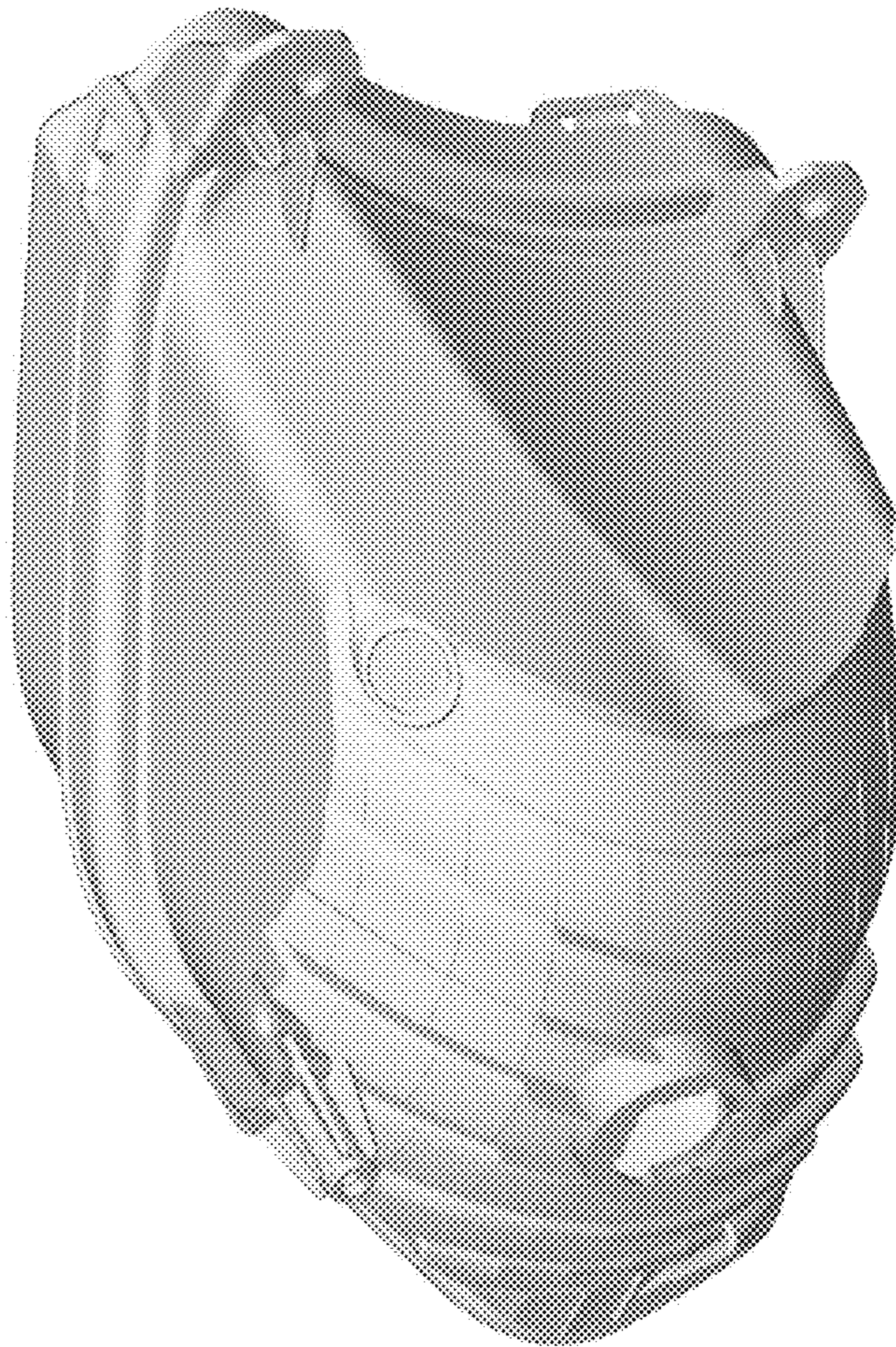


Figure 3

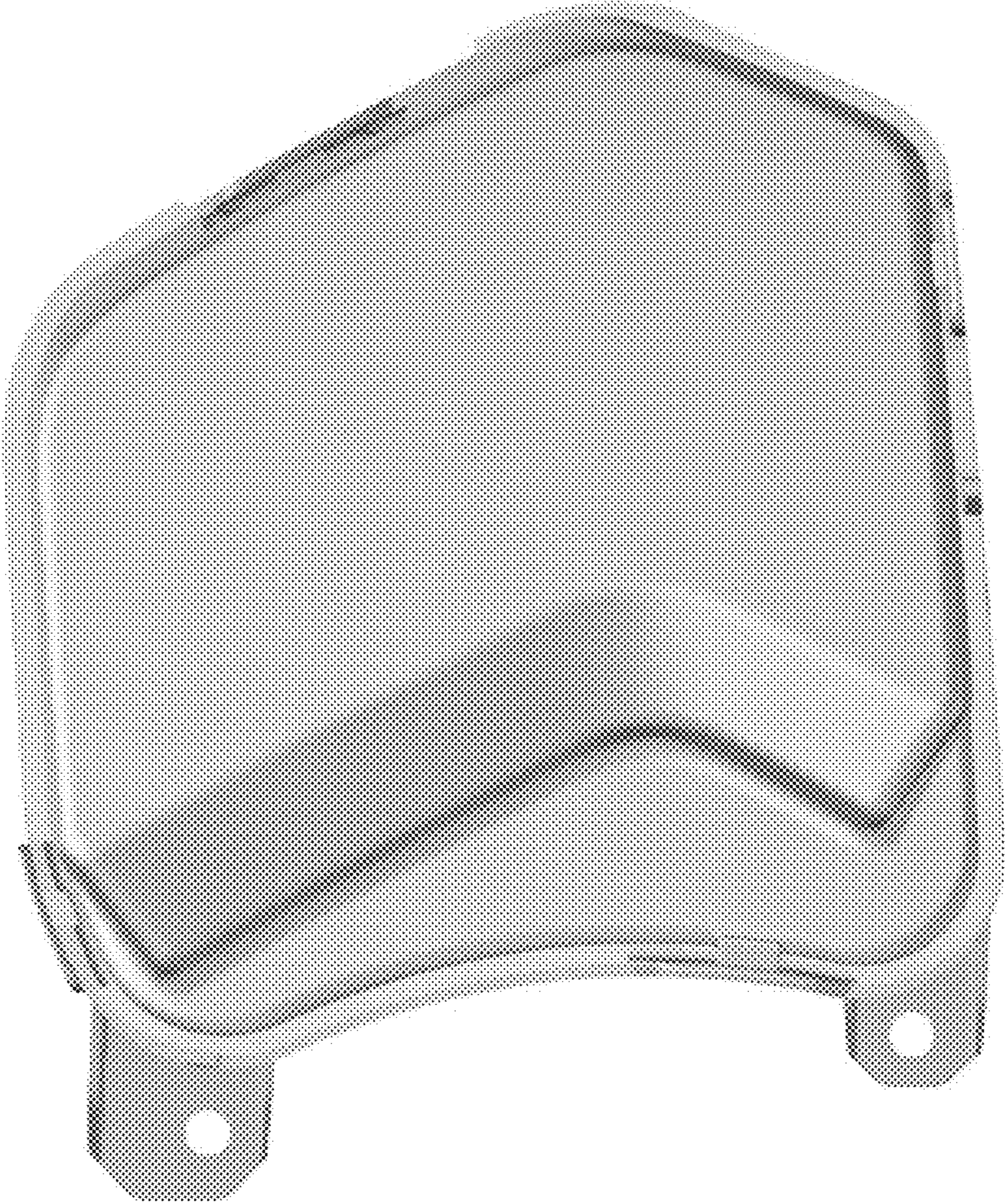


Figure 4



Figure 5



Figure 6



Figure 7

Figure 8



Figure 9

