



US00D775383S

(12) **United States Design Patent**  
**Kawakami**

(10) **Patent No.:** **US D775,383 S**  
(45) **Date of Patent:** **\*\* Dec. 27, 2016**

(54) **COMBINATION LIGHT AND REFLECTOR FOR A BICYCLE**

(71) Applicant: **Cateye Co., Ltd.**, Osaka (JP)

(72) Inventor: **Kenta Kawakami**, Osaka (JP)

(73) Assignee: **Cateye Co. Ltd.**, Osaka (JP)

(\*\*) Term: **15 Years**

(21) Appl. No.: **29/539,040**

(22) Filed: **Sep. 10, 2015**

(30) **Foreign Application Priority Data**

Mar. 13, 2015 (JP) ..... 2015-005549

(51) **LOC (10) Cl.** ..... **26-06**

(52) **U.S. Cl.**  
USPC ..... **D26/28; D12/114**

(58) **Field of Classification Search**  
USPC ..... D26/28-36; 362/61, 80-83, 267-269,  
362/459-468, 475-478, 485-487  
CPC ..... F21S 48/00; F21S 48/10; F21S 48/115;  
F21S 48/225; F21S 48/1233; F21S  
48/1266; F21S 48/1388; F21S 48/2268;  
F21V 21/04; A63H 33/40; F21Y  
2102/02; F21W 2121/00

See application file for complete search history.

(56) **References Cited**

**U.S. PATENT DOCUMENTS**

2,510,336 A \* 6/1950 Donahue ..... A63H 33/40  
446/217  
4,767,373 A \* 8/1988 Antonio ..... A63H 33/40  
446/217

5,083,963 A \* 1/1992 Lin ..... A63H 33/40  
446/217  
5,971,828 A \* 10/1999 Lin ..... A63H 33/40  
446/217  
D706,176 S \* 6/2014 Oberg ..... D12/114  
D722,714 S \* 2/2015 Stroumbas ..... D12/114  
D739,793 S \* 9/2015 Oberg ..... D12/114

**FOREIGN PATENT DOCUMENTS**

JP 1378807 2/2010  
TW D142077 8/2011

**OTHER PUBLICATIONS**

Cycling Press, Inc., American Bicyclist and Motorcyclist, No. 5, vol. 112, (May 31, 1911), p. 26, (Japan Patent Office, Design Department, known document No. HB0302360300).

\* cited by examiner

*Primary Examiner* — Marcus Jackson

(74) *Attorney, Agent, or Firm* — Arnstein & Lehr LLP

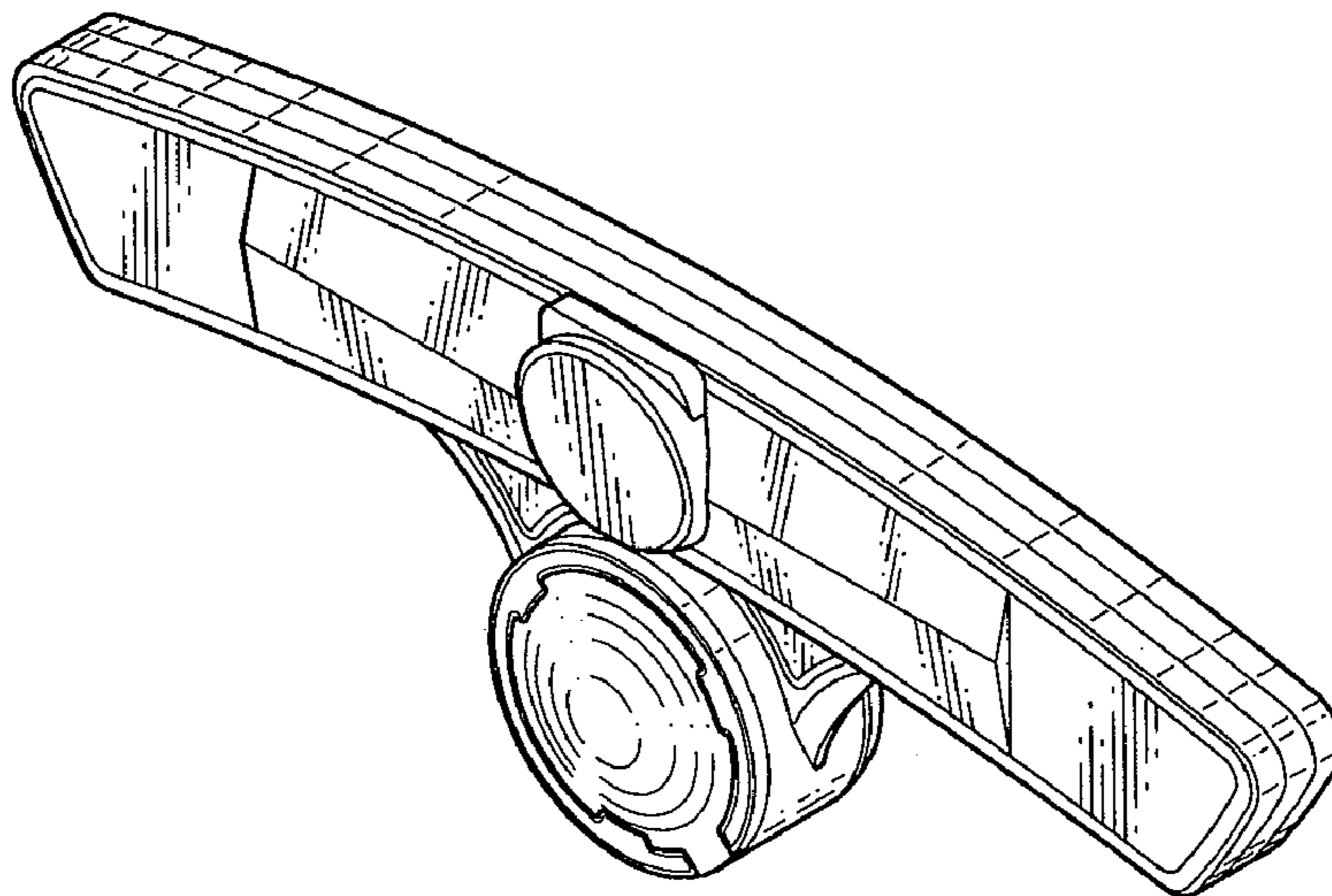
(57) **CLAIM**

The ornamental design for a combination light and reflector for a bicycle, as shown.

**DESCRIPTION**

FIG. 1 is a perspective view of a combination light and reflector for a bicycle showing my new design;  
FIG. 2 is a front view thereof;  
FIG. 3 is a rear view thereof;  
FIG. 4 is a top plan view thereof;  
FIG. 5 is a bottom plan view thereof;  
FIG. 6 is a right side view thereof; and,  
FIG. 7 is a left side view thereof.

**1 Claim, 5 Drawing Sheets**



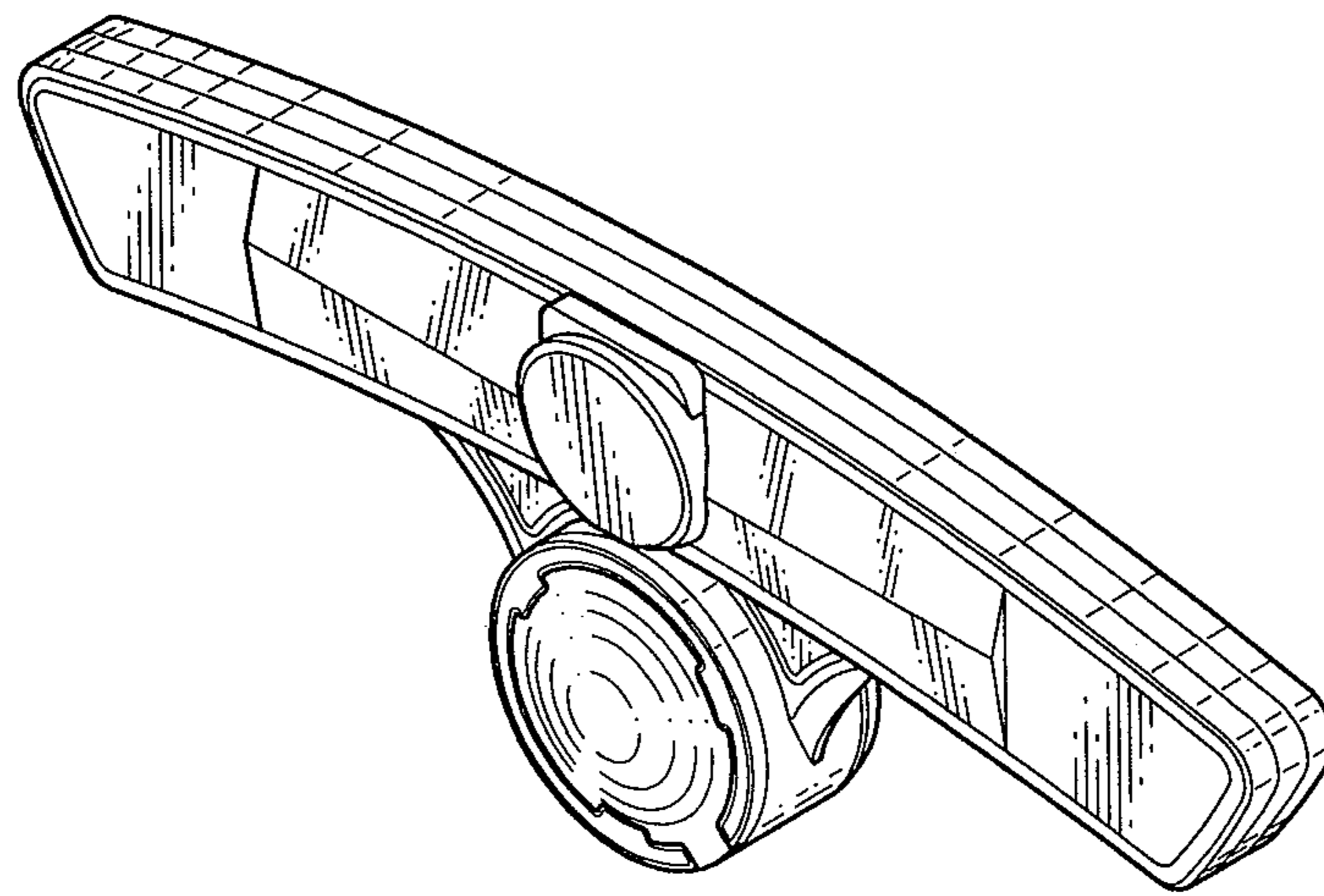


Fig. 1

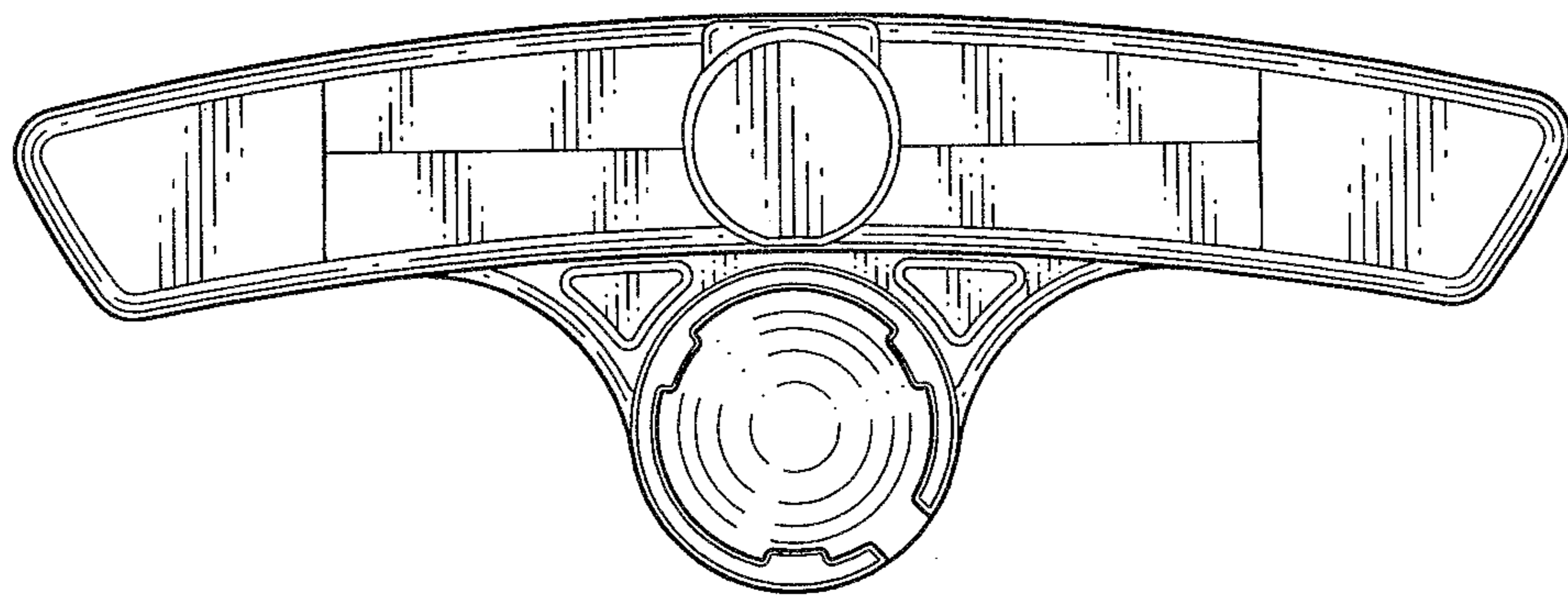


Fig. 2

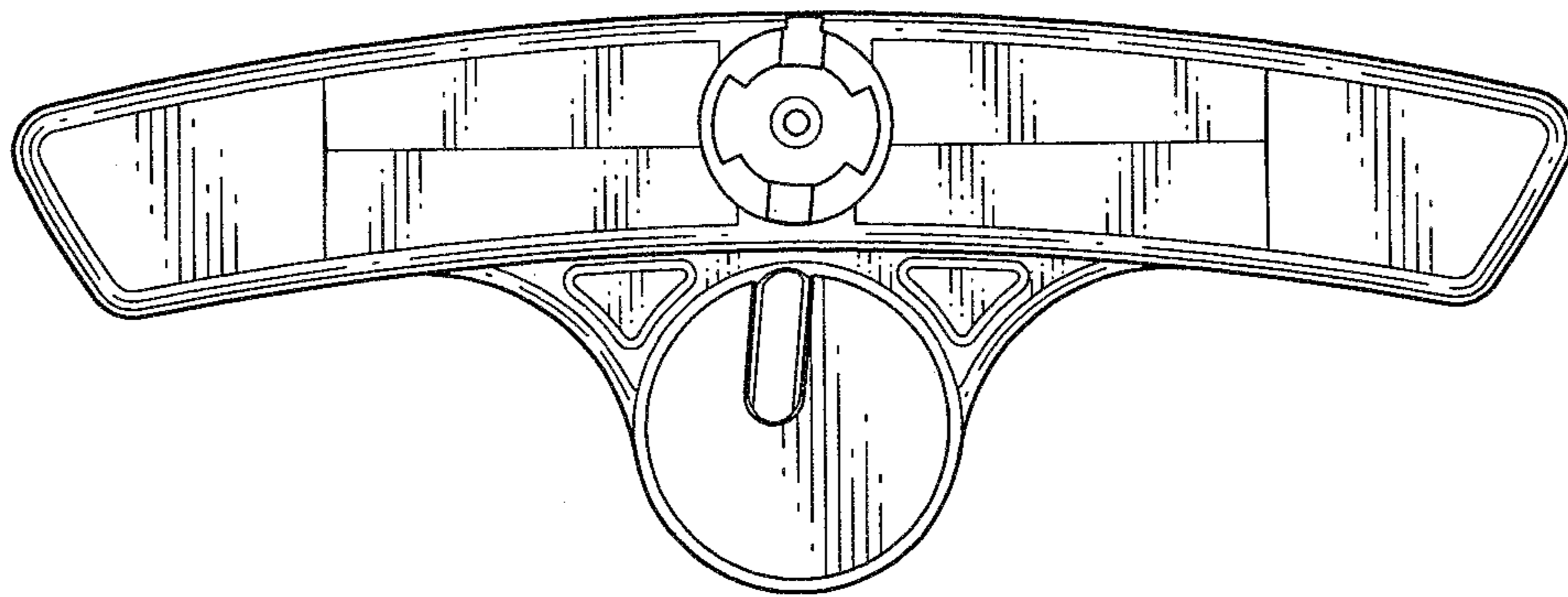


Fig. 3

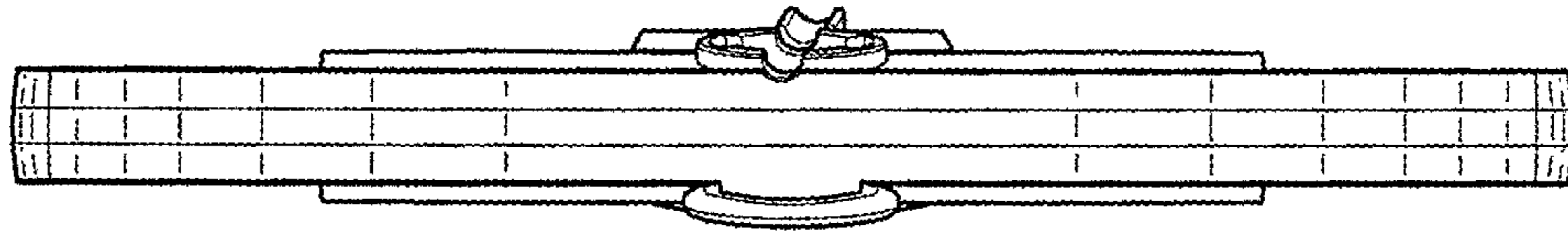


Fig. 4

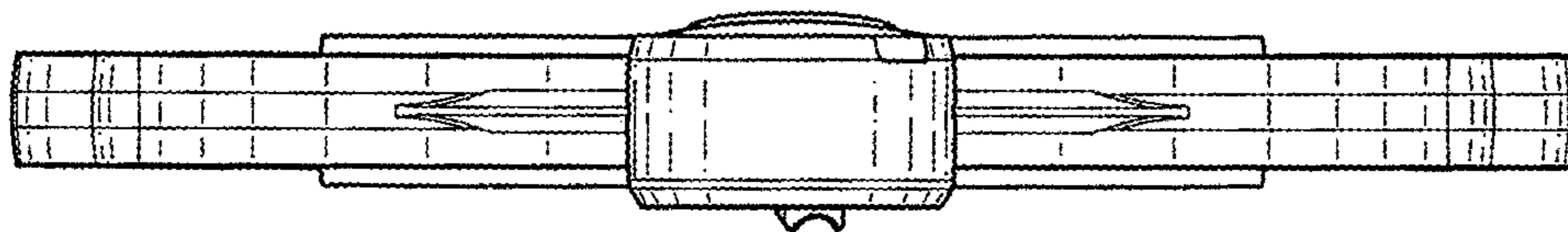


Fig. 5

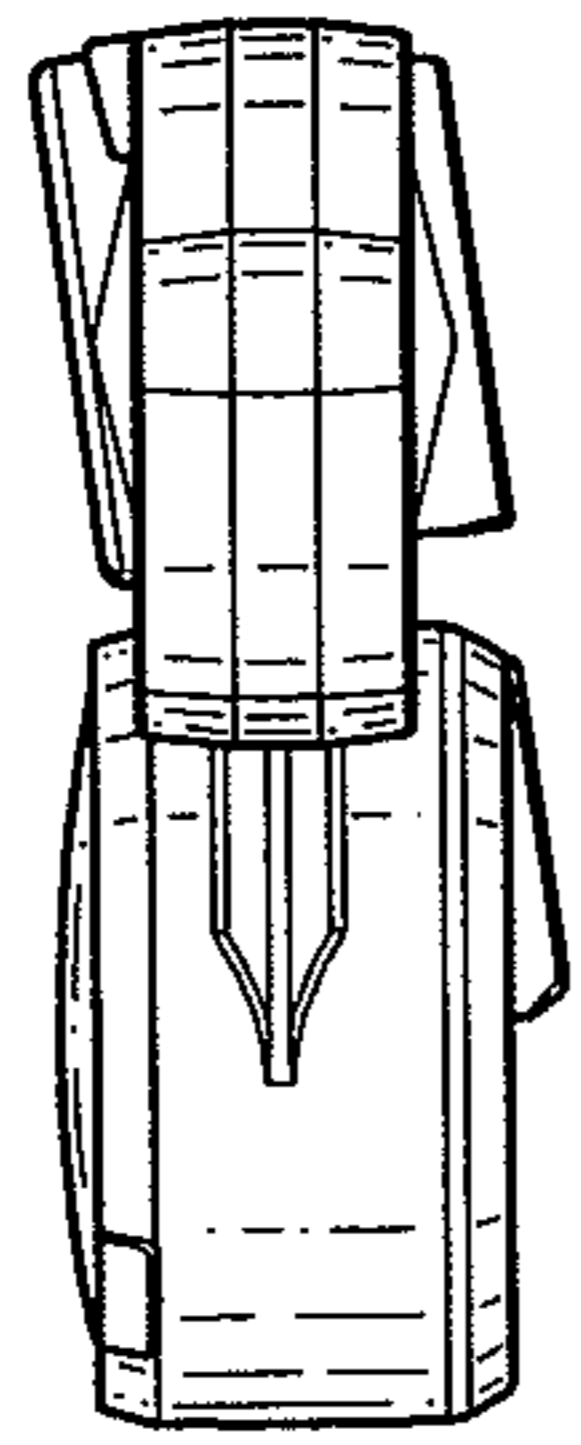


Fig. 6

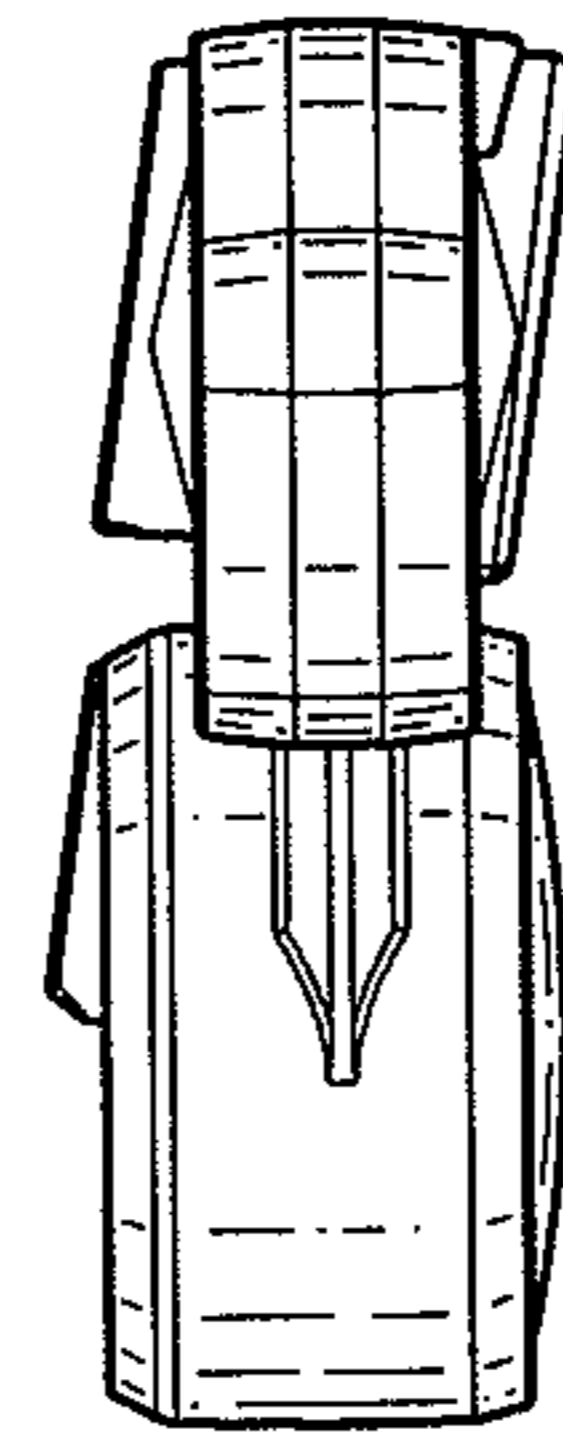


Fig. 7