



US00D775381S

(12) **United States Design Patent**  
**Jacq et al.**

(10) **Patent No.:** **US D775,381 S**

(45) **Date of Patent:** **\*\* Dec. 27, 2016**

(54) **LIGHTING DEVICE**

(71) Applicant: **VALEO VISION**, Bobigny (FR)

(72) Inventors: **Alain Jacq**, Le Perreux sur Marne (FR); **Laurent Sauzay**, Villejuif (FR)

(73) Assignee: **VALEO VISION**, Bobigny (FR)

(\*\*) Term: **15 Years**

(21) Appl. No.: **29/535,347**

(22) Filed: **Aug. 5, 2015**

(30) **Foreign Application Priority Data**

Jul. 28, 2015 (WO) ..... 910803401

(51) **LOC (10) Cl.** ..... **26-05**

(52) **U.S. Cl.**  
USPC ..... **D26/28**

(58) **Field of Classification Search**  
USPC ..... D26/28-36; 362/459-468, 475-478,  
362/485-487

CPC ..... F21S 48/00; F21S 48/10; F21S 48/115;  
F21S 48/225; F21S 48/1233; F21S  
48/1266; F21S 48/1388; F21S 48/2268;  
F21V 21/04

See application file for complete search history.

(56) **References Cited**

**U.S. PATENT DOCUMENTS**

D235,227 S	5/1975	Cleary	
D360,961 S	8/1995	Czerlanis et al.	
D417,024 S	11/1999	Stuyfzand	
D578,685 S *	10/2008	Manus	D26/28
D613,440 S	4/2010	Lindholm	
D693,500 S	11/2013	Souvay et al.	
D694,928 S	12/2013	Chen	
D708,373 S *	7/2014	Kani	D26/28
D711,023 S *	8/2014	Wu	D26/28

D712,079 S *	8/2014	DiPenti	D26/28
D739,577 S *	9/2015	Kani	D26/28
D739,581 S *	9/2015	Huang	D26/28
D741,528 S *	10/2015	Glover	D26/28
D744,676 S *	12/2015	Lai	D26/28
D747,517 S *	1/2016	Lai	D26/28
D747,524 S *	1/2016	Jacq	D26/63
D757,969 S *	5/2016	Fan	D26/28
D760,407 S *	6/2016	Yang	D26/28

**OTHER PUBLICATIONS**

U.S. Appl. No. 29/535,345, filed Aug. 5, 2015, Jacq et al.  
U.S. Appl. No. 29/535,341, filed Aug. 5, 2015, Jacq et al.  
U.S. Appl. No. 29/462,943, filed Aug. 9, 2013, Jacq et al.

\* cited by examiner

*Primary Examiner* — Angela J Lee

(74) *Attorney, Agent, or Firm* — Oblon, McClelland, Maier & Neustadt, L.L.P.

(57) **CLAIM**

The ornamental design for a lighting device, as shown and described.

**DESCRIPTION**

FIG. 1 is a front, top, and left side perspective view of a lighting device;

FIG. 2 is a front and top perspective view thereof;

FIG. 3 is a rear, top, and left side perspective view thereof;

FIG. 4 is a front elevational view thereof;

FIG. 5 is a rear elevational view thereof;

FIG. 6 is a top plan view thereof;

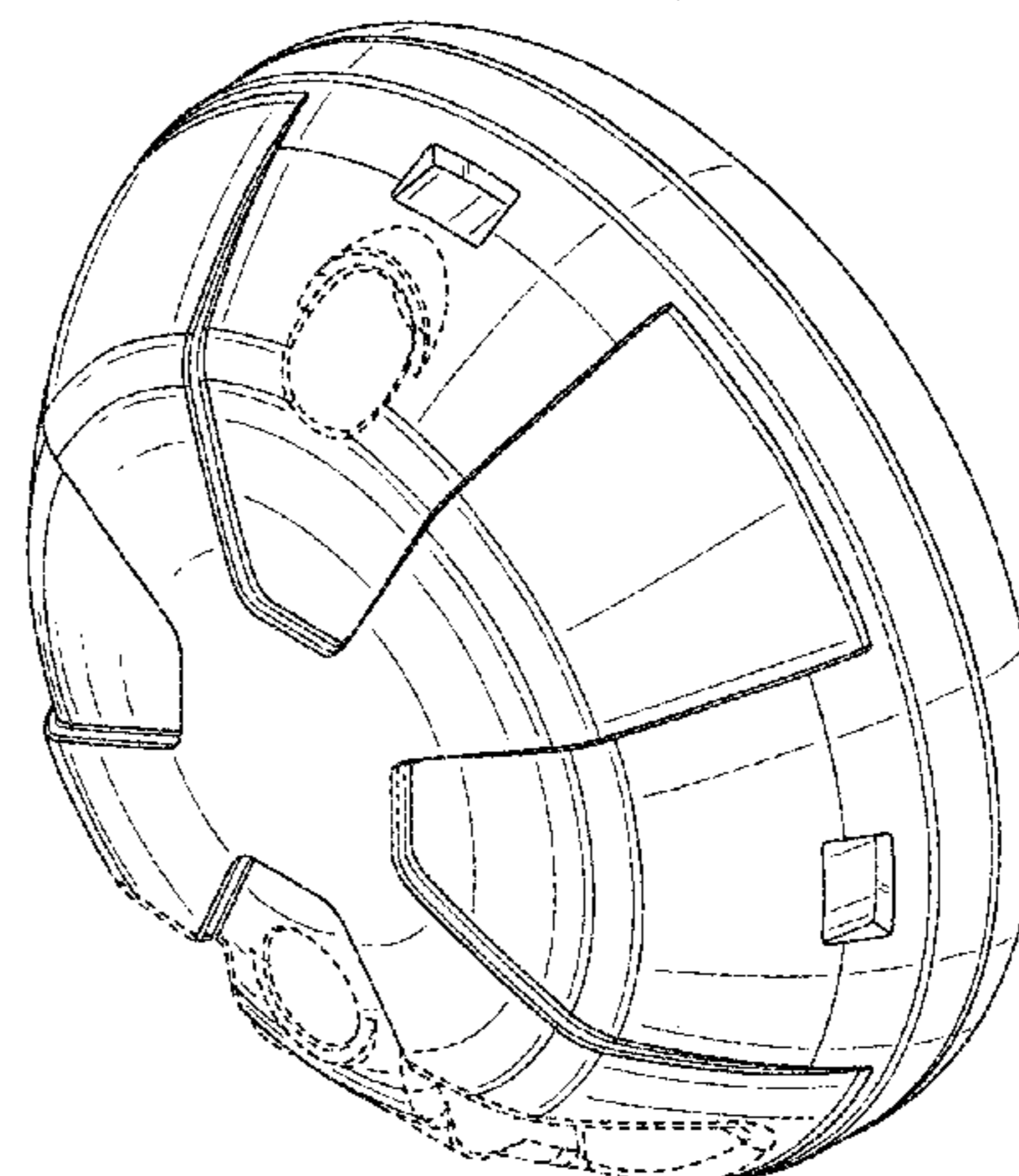
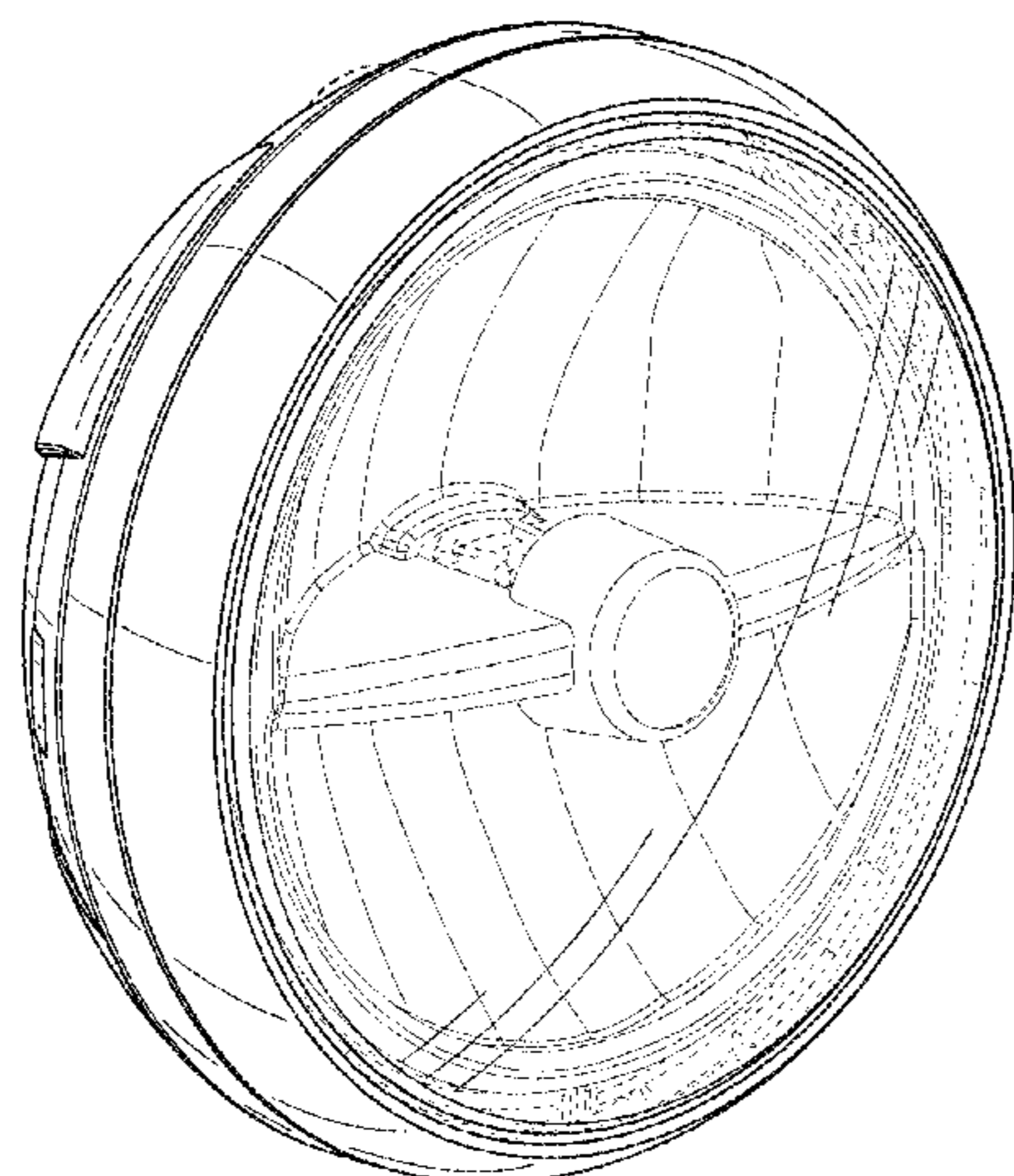
FIG. 7 is a bottom plan view thereof;

FIG. 8 is a right side elevational view thereof; and,

FIG. 9 is a left side elevational view thereof.

The broken lines in the drawings illustrate environmental subject matter and form no part of the claimed design.

**1 Claim, 9 Drawing Sheets**



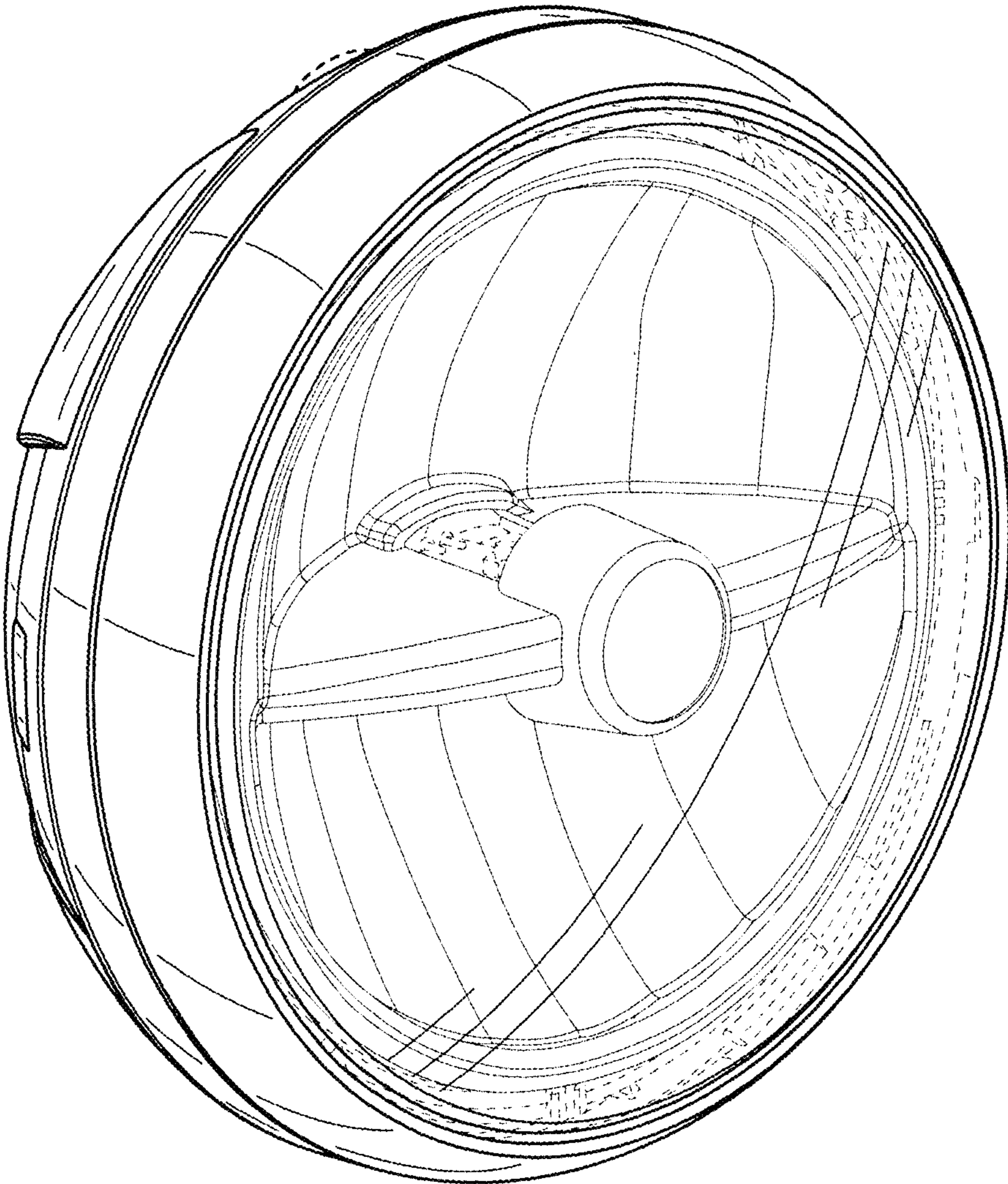


FIG. 1

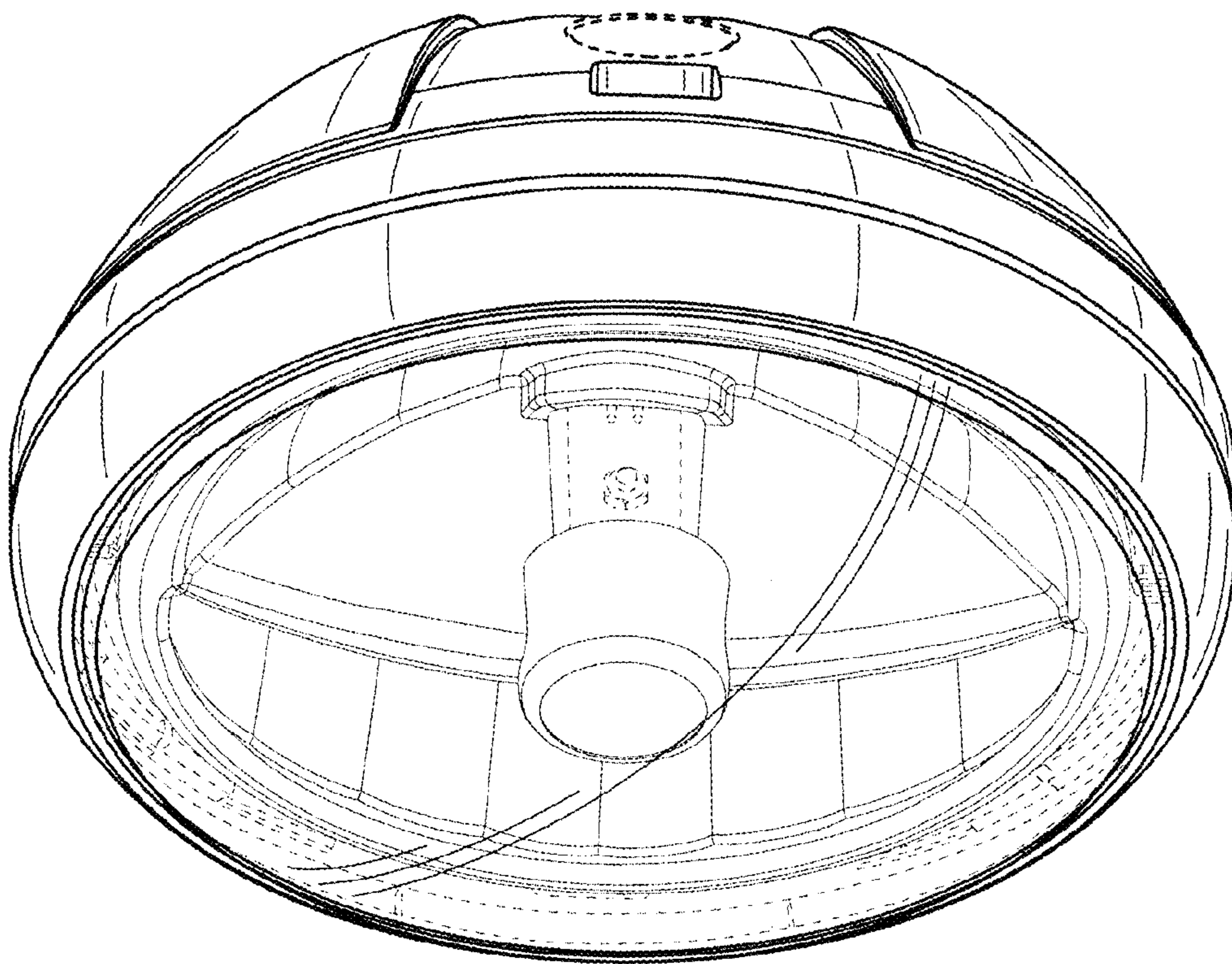


FIG. 2

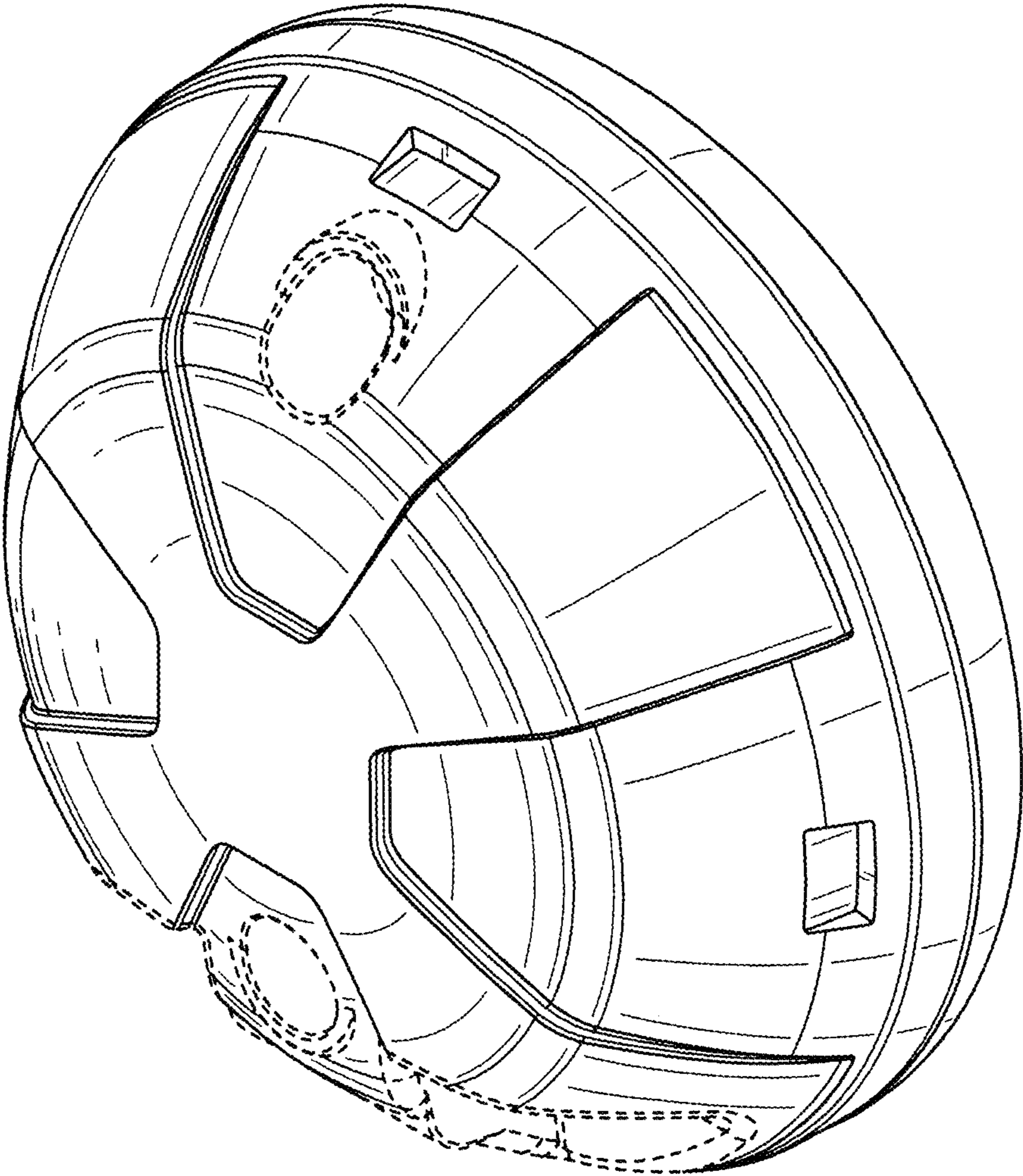


FIG. 3

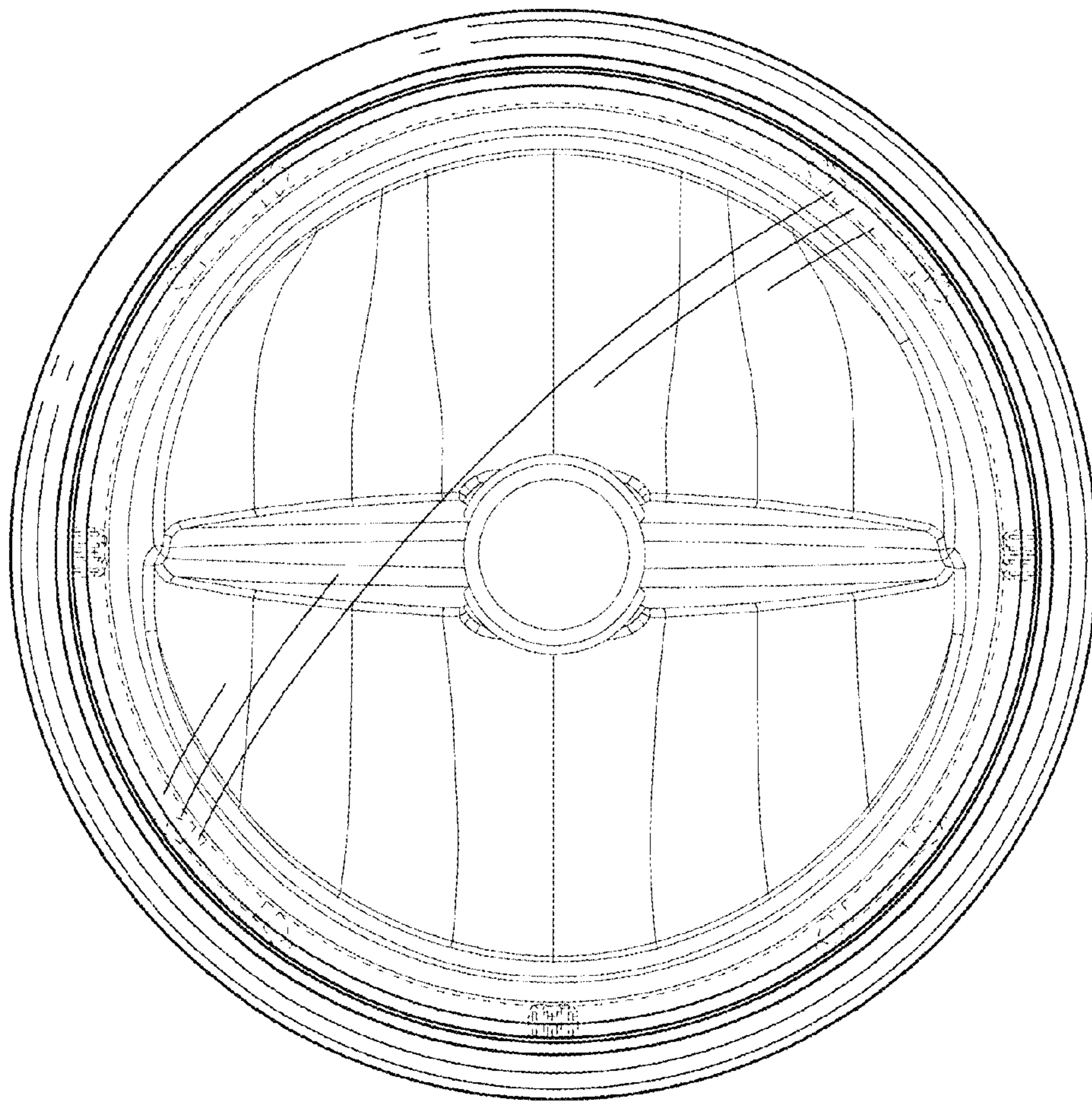


FIG. 4

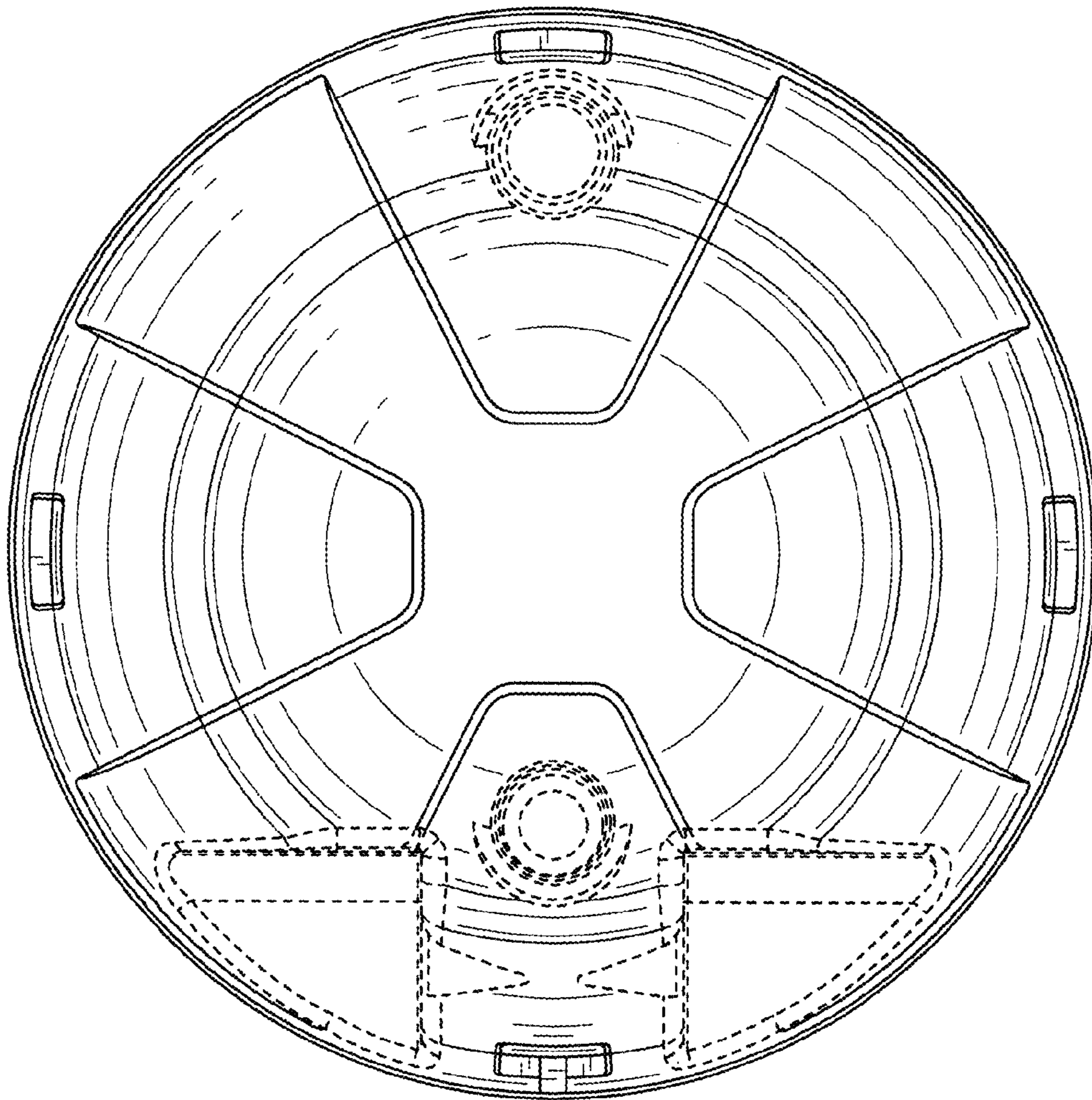


FIG. 5

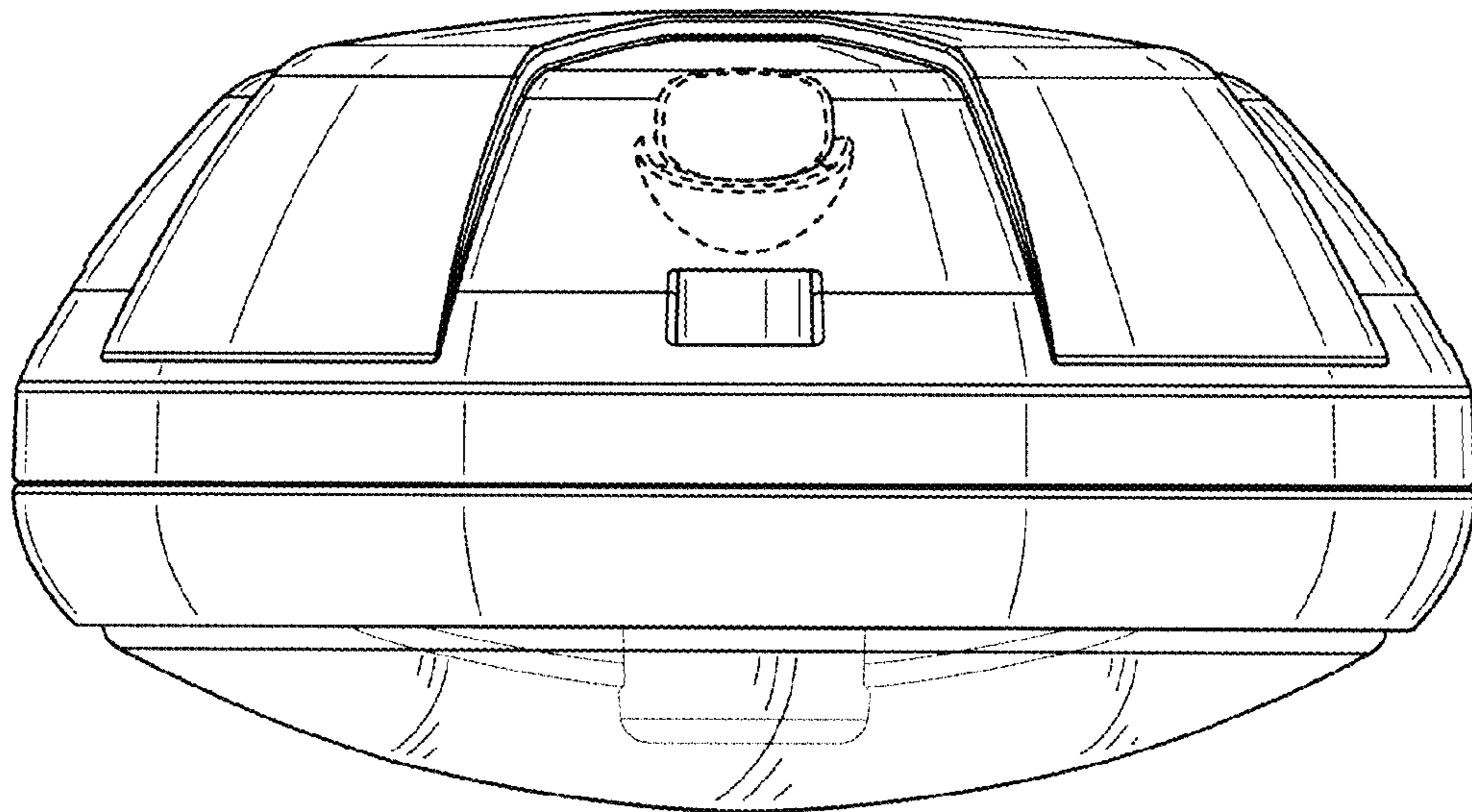


FIG. 6

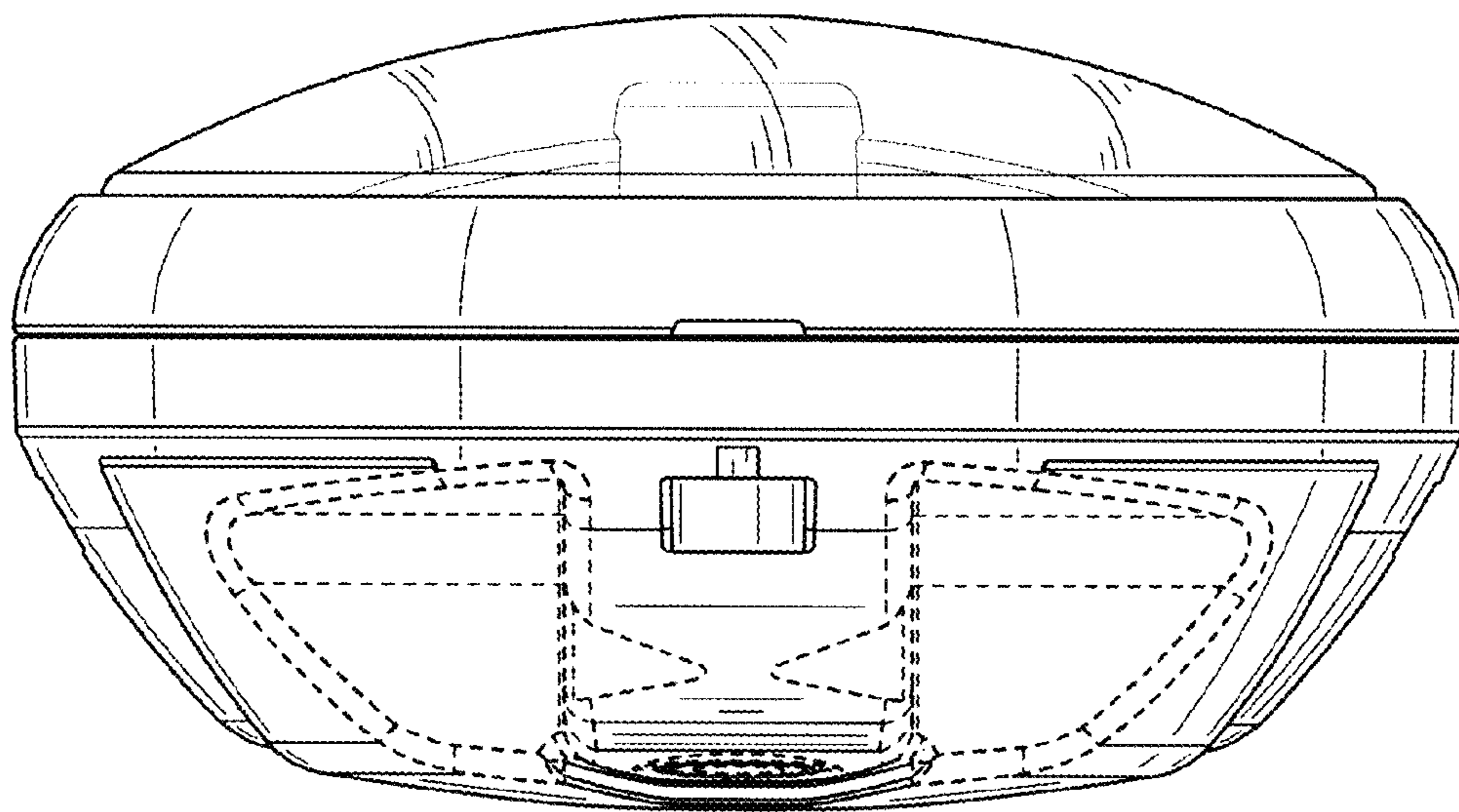


FIG. 7



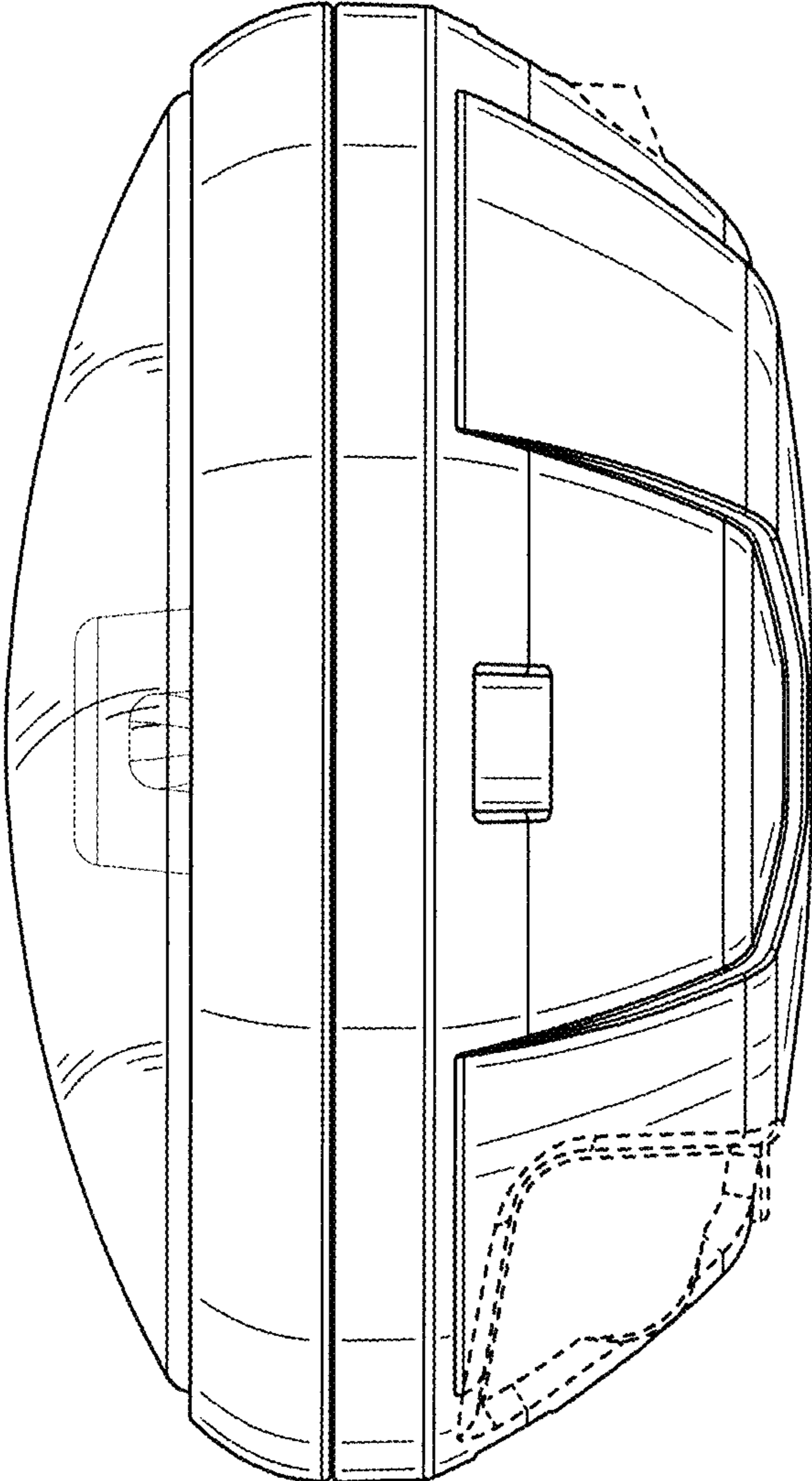


FIG. 8

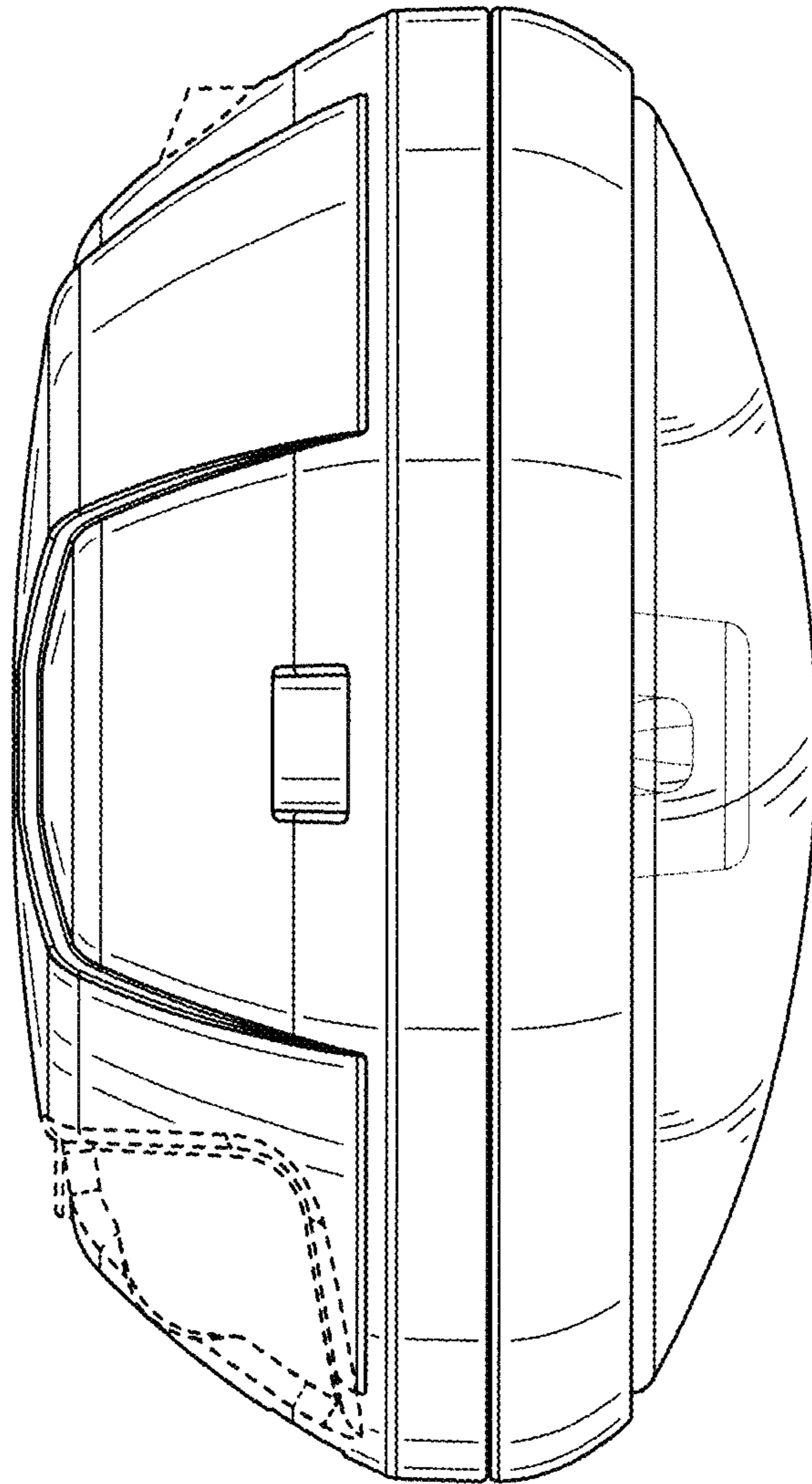


FIG. 9