



US00D775380S

(12) **United States Design Patent** (10) **Patent No.:** **US D775,380 S**  
**Haarburger** (45) **Date of Patent:** **\*\* Dec. 27, 2016**

(54) **BICYCLE LIGHT**  
(71) Applicant: **Nite Ize, Inc.**, Boulder, CO (US)  
(72) Inventor: **Daniel Haarburger**, Boulder, CO (US)  
(73) Assignee: **Nite Ize, Inc.**, Boulder, CO (US)  
(\*\*) Term: **15 Years**

(21) Appl. No.: **29/535,078**  
(22) Filed: **Aug. 3, 2015**  
(51) **LOC (10) Cl.** ..... **26-05**  
(52) **U.S. Cl.**  
USPC ..... **D26/28**  
(58) **Field of Classification Search**  
USPC ..... D26/28-36; 362/459-468, 475-478,  
362/485-487  
CPC ..... F21S 48/00; F21S 48/10; F21S 48/115;  
F21S 48/225; F21S 48/1233; F21S  
48/1266; F21S 48/1388; F21S 48/2268;  
F21V 21/04  
See application file for complete search history.

(56) **References Cited**

**U.S. PATENT DOCUMENTS**

D358,675 S \* 5/1995 Wyse ..... D26/28  
D540,966 S \* 4/2007 Ueda ..... D26/28

D541,447 S \* 4/2007 Ueda ..... D26/28  
D584,840 S \* 1/2009 Okuda ..... D26/28  
D667,152 S \* 9/2012 Hamasaki ..... D26/28  
D679,038 S \* 3/2013 Hamasaki ..... D26/28  
D734,517 S \* 7/2015 Rigolio ..... D26/28  
D742,044 S \* 10/2015 Kosugi ..... D26/28  
D743,067 S \* 11/2015 Kosugi ..... D26/28  
D745,722 S \* 12/2015 Smith ..... D26/28  
D757,964 S \* 5/2016 Eagleman ..... D26/28

\* cited by examiner

*Primary Examiner* — Angela J Lee

(74) *Attorney, Agent, or Firm* — Haynes and Boone, LLP

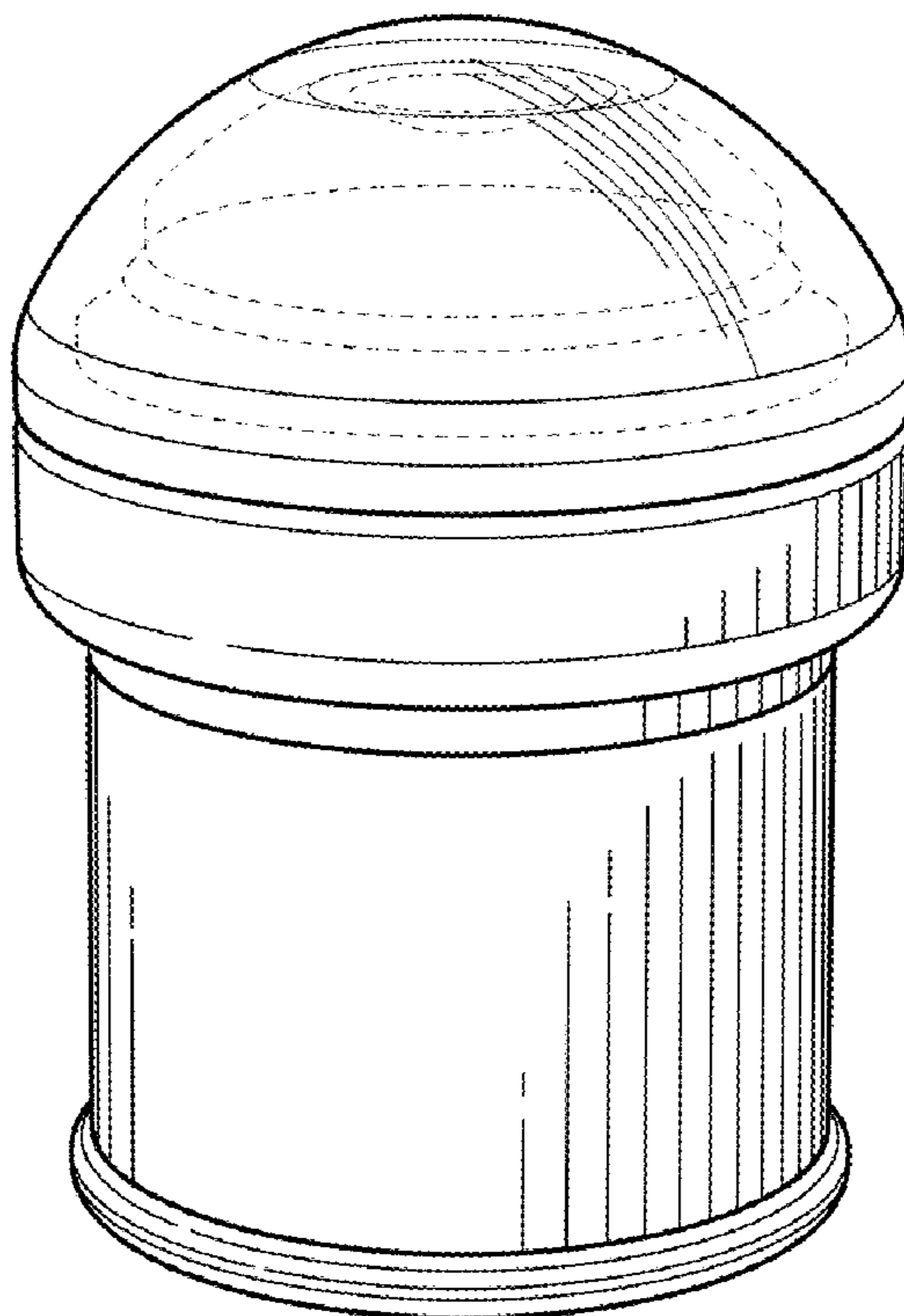
(57) **CLAIM**

The ornamental design for a bicycle light, as shown and described.

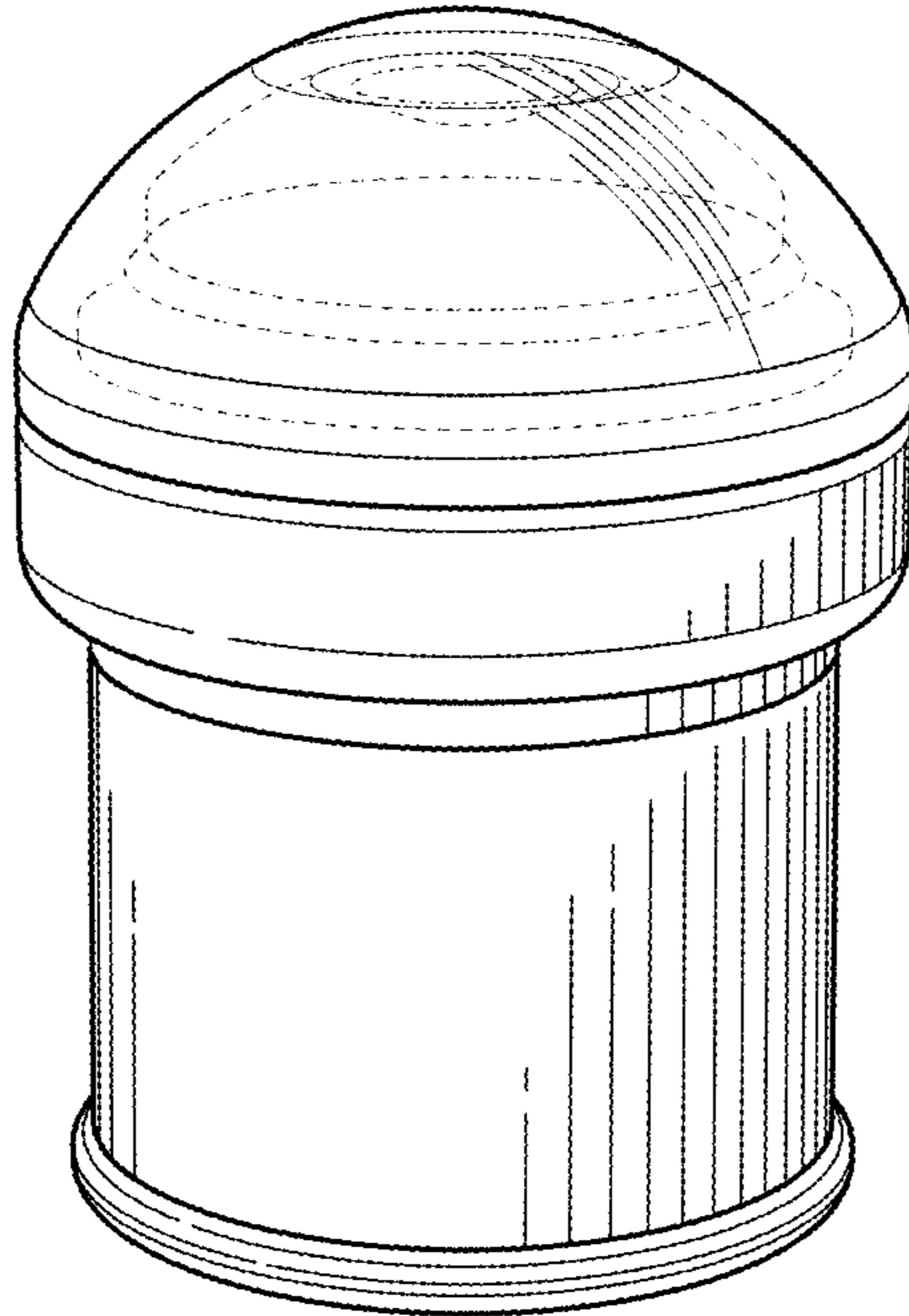
**DESCRIPTION**

FIG. 1 is a first symmetrical perspective view of the bicycle light;  
FIG. 2 is a second symmetrical perspective view of the bicycle light of FIG. 1;  
FIG. 3 is a top view of the bicycle light of FIG. 1;  
FIG. 4 is a bottom view of the bicycle light of FIG. 1; and,  
FIG. 5 is a symmetrical view of the bicycle light of FIG. 1.

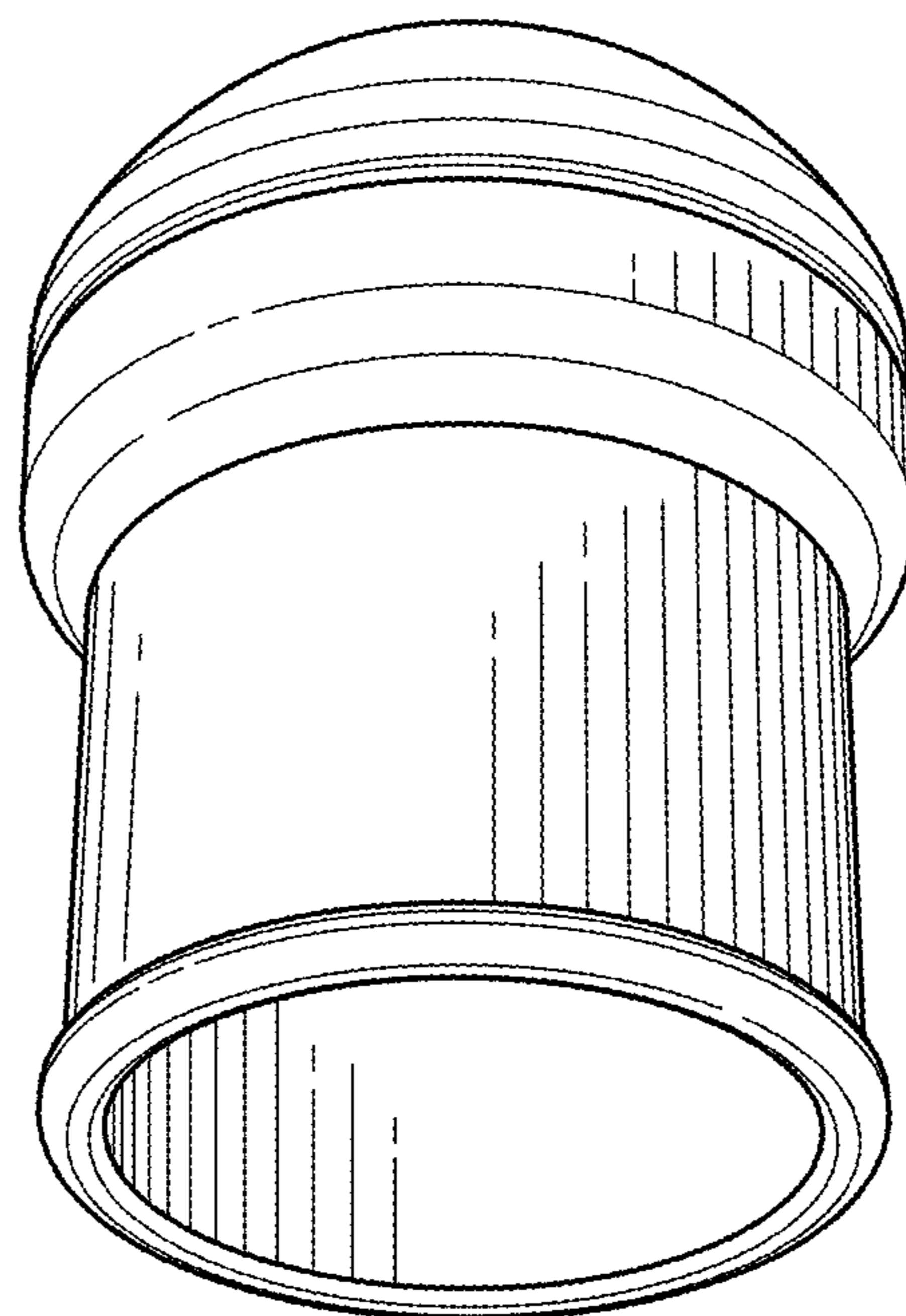
**1 Claim, 2 Drawing Sheets**



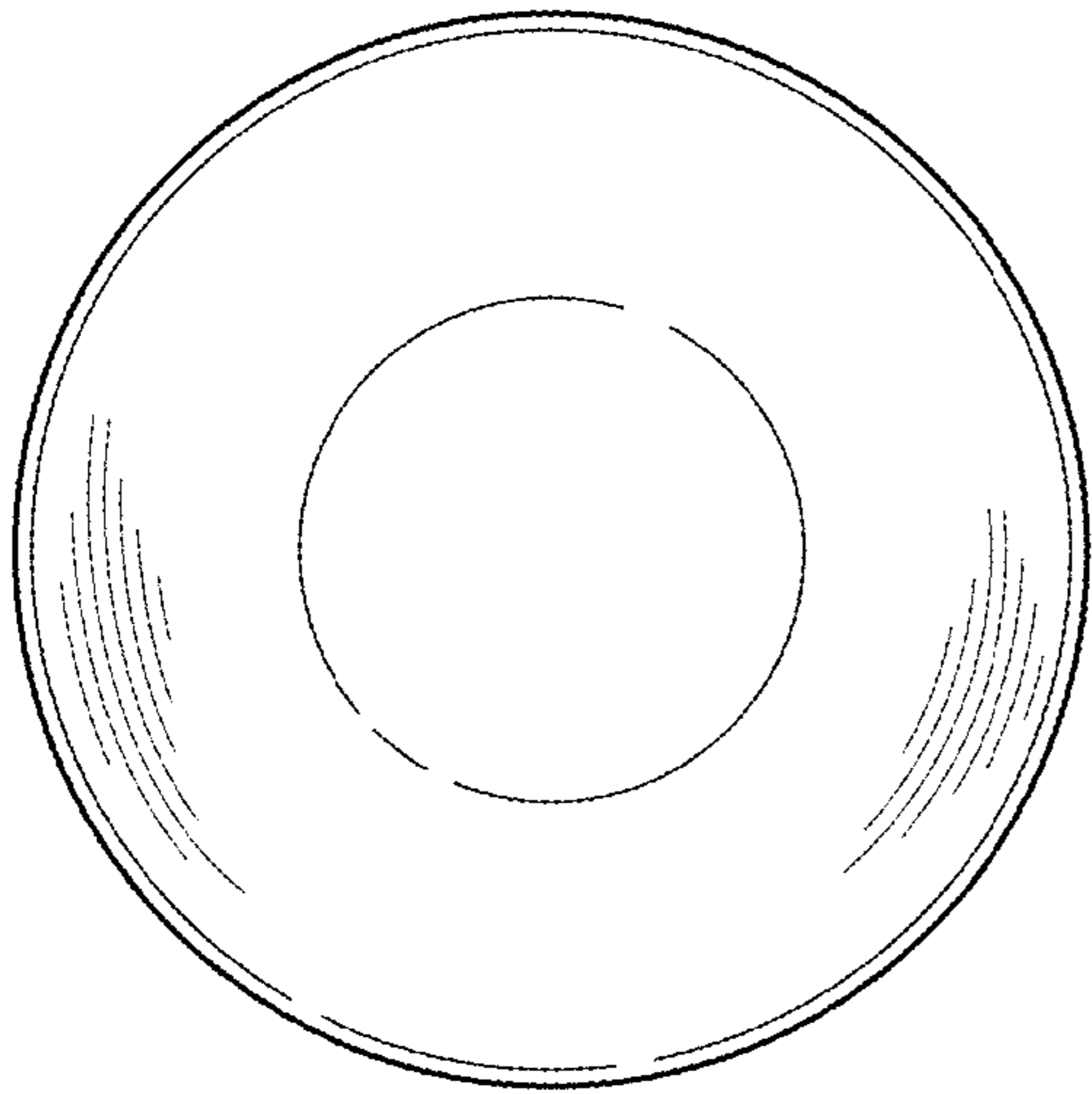
**FIG. 1**



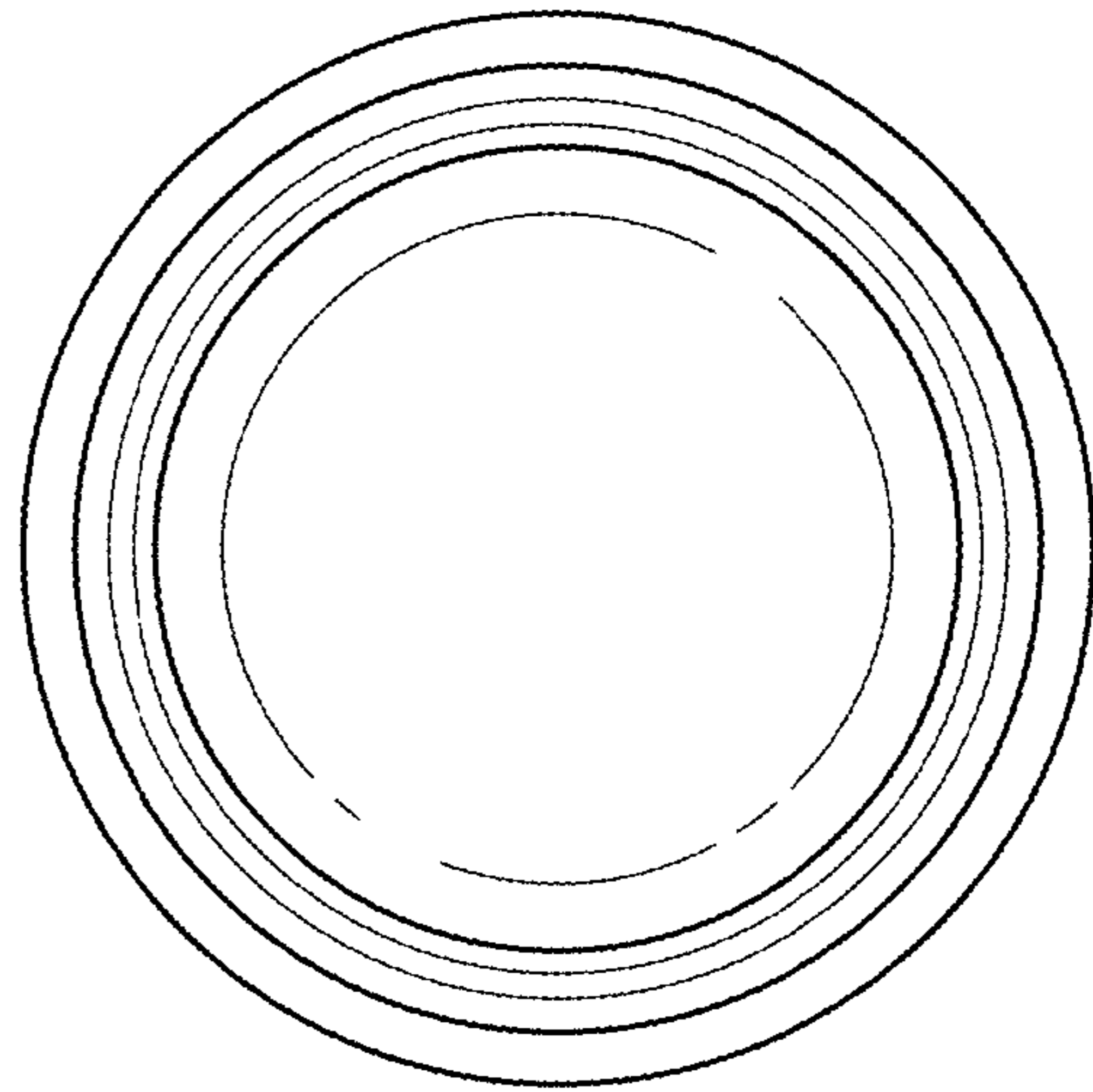
**FIG. 2**



**FIG. 3**



**FIG. 4**



**FIG. 5**

