



US00D775377S

(12) **United States Design Patent**  
**Woram**

(10) **Patent No.:** **US D775,377 S**

(45) **Date of Patent:** **\*\* Dec. 27, 2016**

(54) **BICYCLE BRAKE LIGHT ASSEMBLAGE**

(71) Applicant: **John Desmond Woram**, Humble, TX  
(US)

(72) Inventor: **John Desmond Woram**, Humble, TX  
(US)

(\*\*) Term: **14 Years**

(21) Appl. No.: **29/489,625**

(22) Filed: **May 1, 2014**

(51) **LOC (10) Cl.** ..... **26-06**

(52) **U.S. Cl.**  
USPC ..... **D26/28**

(58) **Field of Classification Search**  
USPC ..... D26/28-37, 60, 63; D12/111, 180;  
362/475-478, 485-487  
CPC ..... B62J 6/00; B62J 17/202  
See application file for complete search history.

(56) **References Cited**

**U.S. PATENT DOCUMENTS**

5,121,100	A *	6/1992	Gallo	.....	B62J 6/04 200/61.12
D367,999	S *	3/1996	McCallum	.....	D6/553
5,617,303	A *	4/1997	Izzo, Sr.	.....	B62J 6/003 340/432
5,739,750	A *	4/1998	Drake	.....	B62J 6/04 188/24.22
D395,717	S *	6/1998	Dalton	.....	D26/28
6,099,150	A *	8/2000	Hsiao	.....	B62J 6/04 340/432
D642,714	S *	8/2011	Chuah	.....	D26/60

D678,562	S *	3/2013	Chan	.....	D26/28
D707,376	S *	6/2014	Cheung	.....	D26/28
D710,043	S *	7/2014	Liao	.....	D26/28
D715,980	S *	10/2014	Ueda	.....	D26/28
2012/0249316	A1 *	10/2012	Morrow	.....	B62L 1/14 340/432
2013/0235602	A1 *	9/2013	Chen	.....	B62K 23/06 362/473

\* cited by examiner

*Primary Examiner* — Darlington Ly

(74) *Attorney, Agent, or Firm* — William C. Yarbrough, III

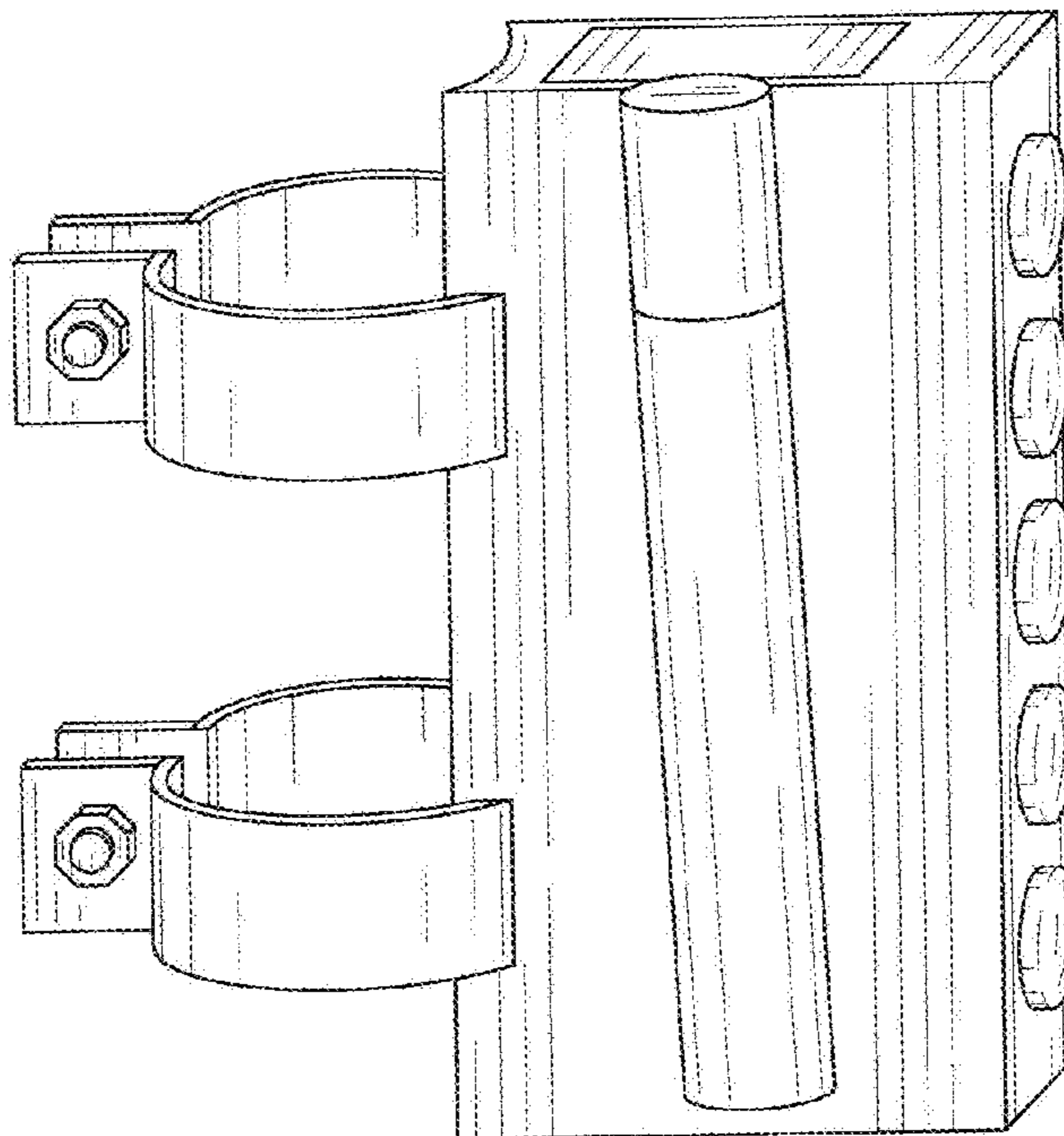
(57) **CLAIM**

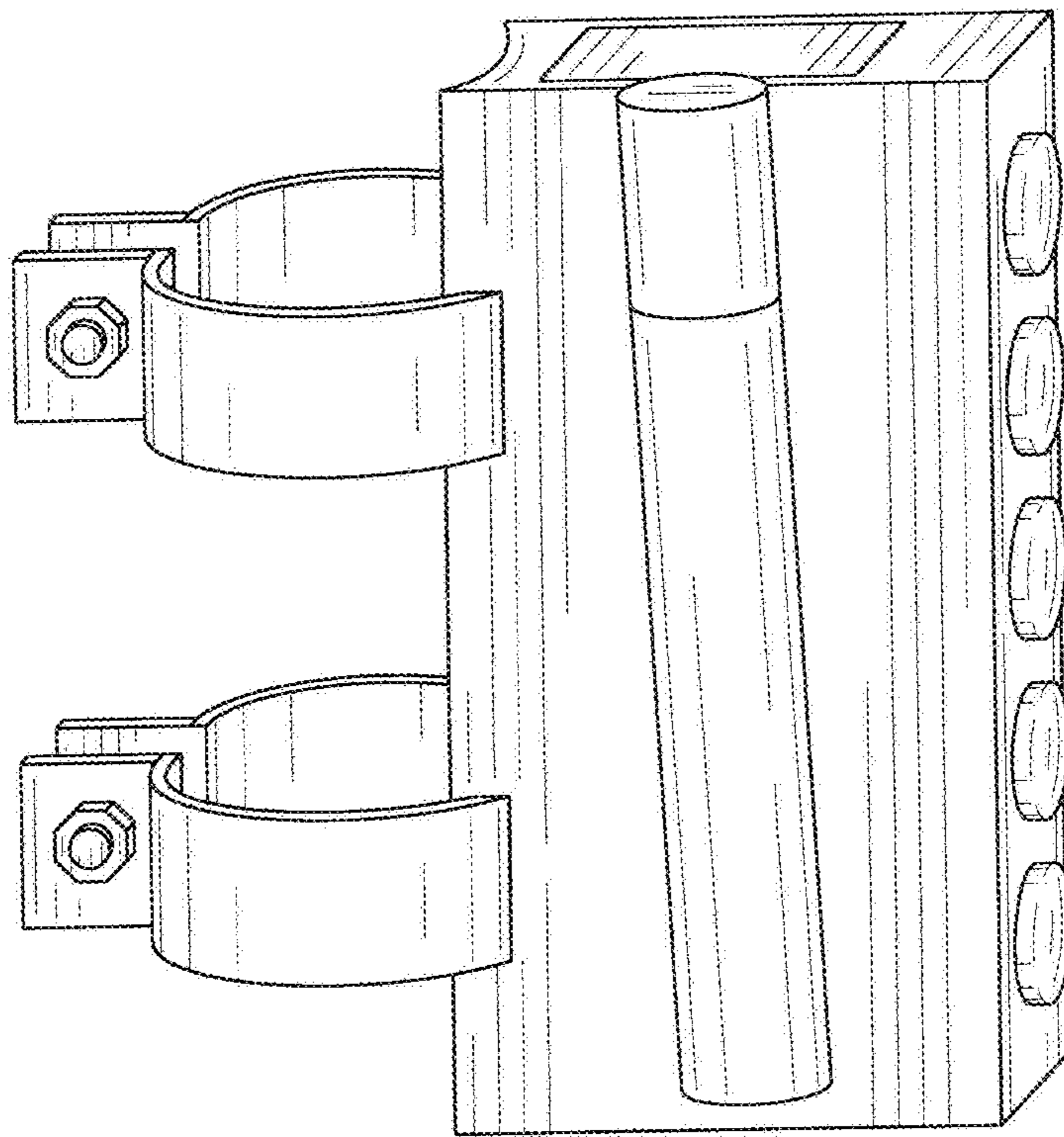
The ornamental design for a bicycle brake light assemblage, as shown and described.

**DESCRIPTION**

FIG. 1 is a top and left-sided perspective view of a bicycle break light assemblage showing my new design  
FIG. 2 is a front elevation view thereof;  
FIG. 3 is a rear elevation view thereof;  
FIG. 4 is a right-side elevation view thereof;  
FIG. 5 is a left-side elevation view thereof;  
FIG. 6 is a top plan view thereof; and,  
FIG. 7 is a bottom plan view thereof.  
The broken lines in the drawings illustrate portions of the bicycle brake light assemblage that forms no part of the claimed design.

**1 Claim, 4 Drawing Sheets**





**FIG. 1**

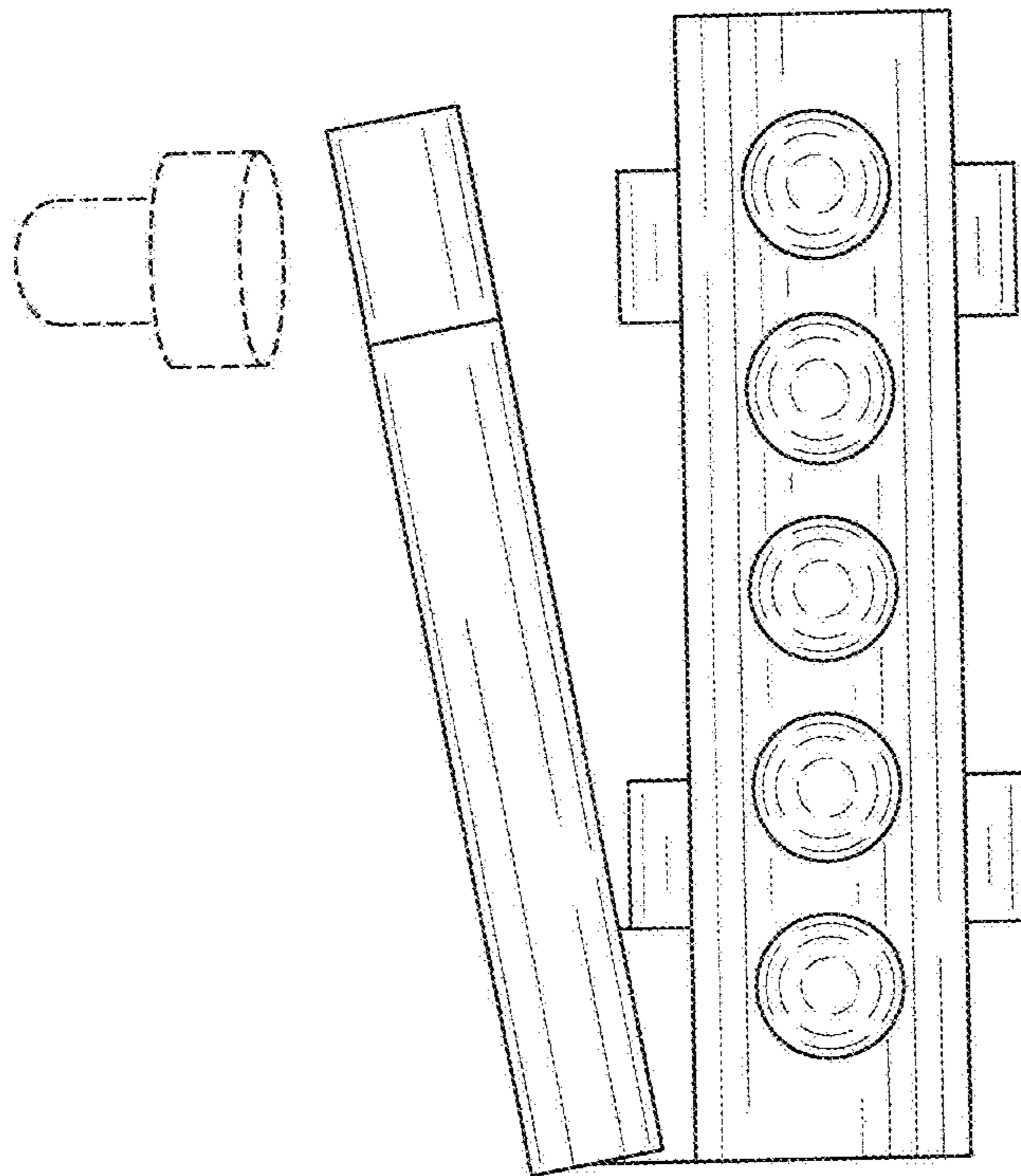


FIG. 2

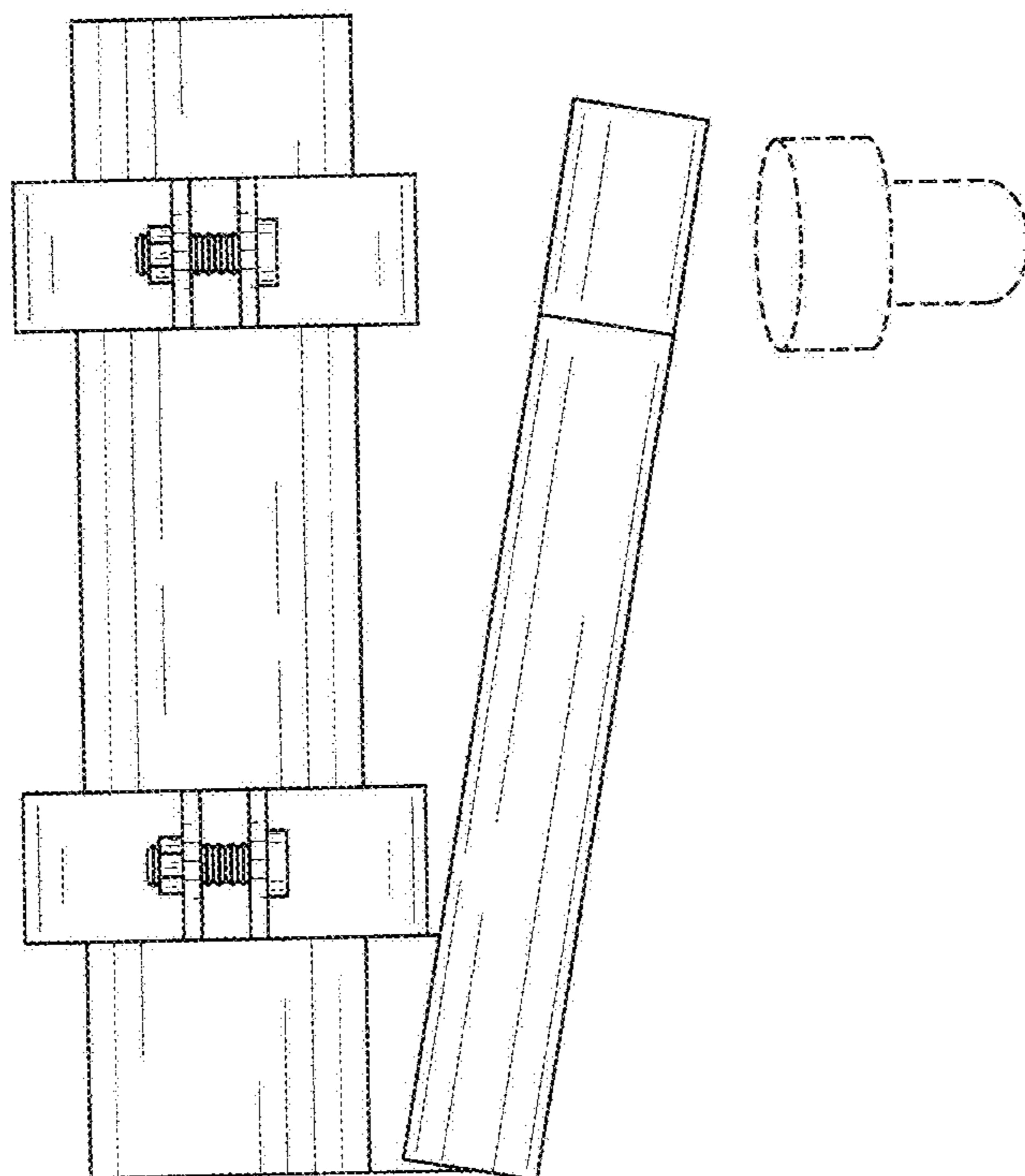


FIG. 3

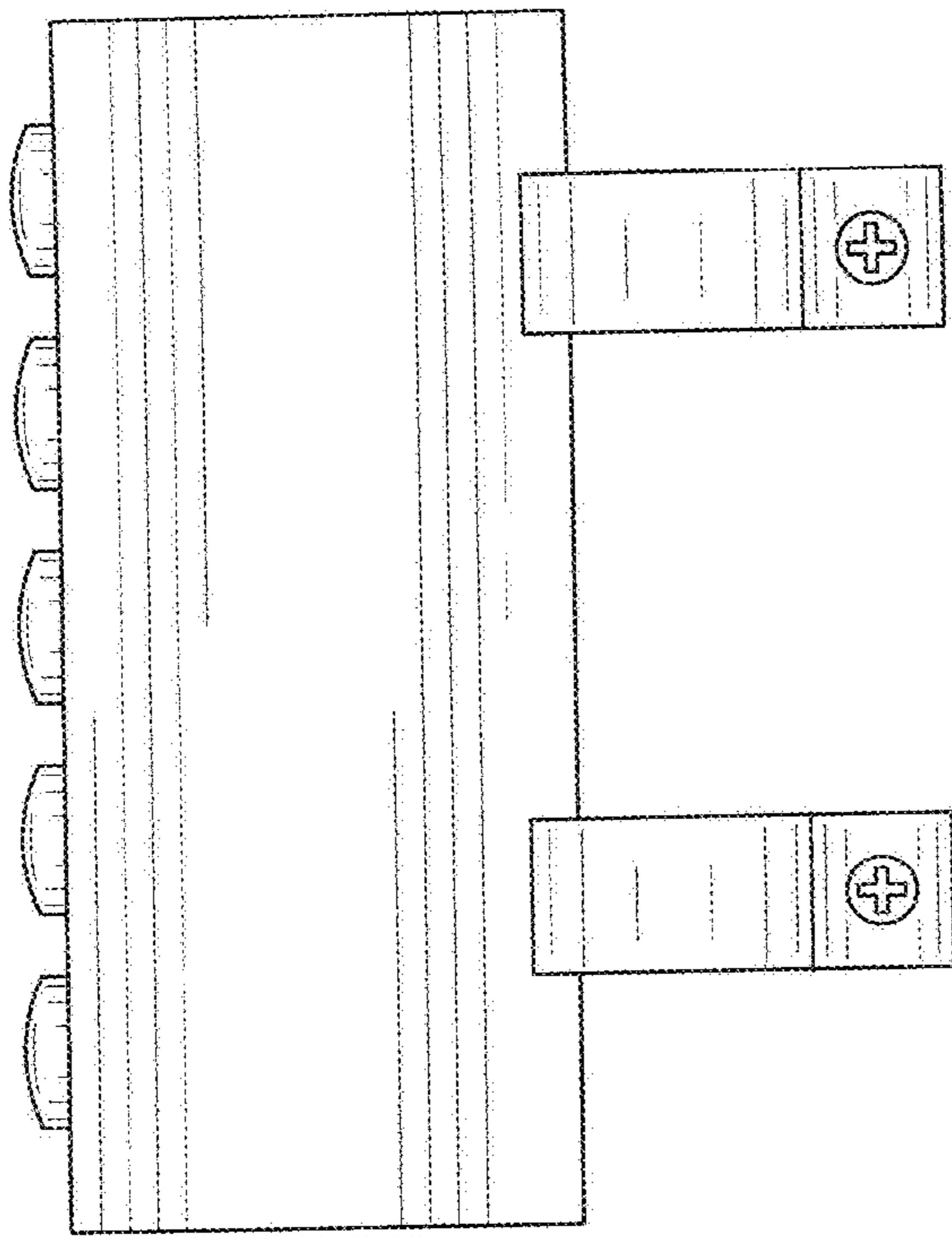


FIG. 4

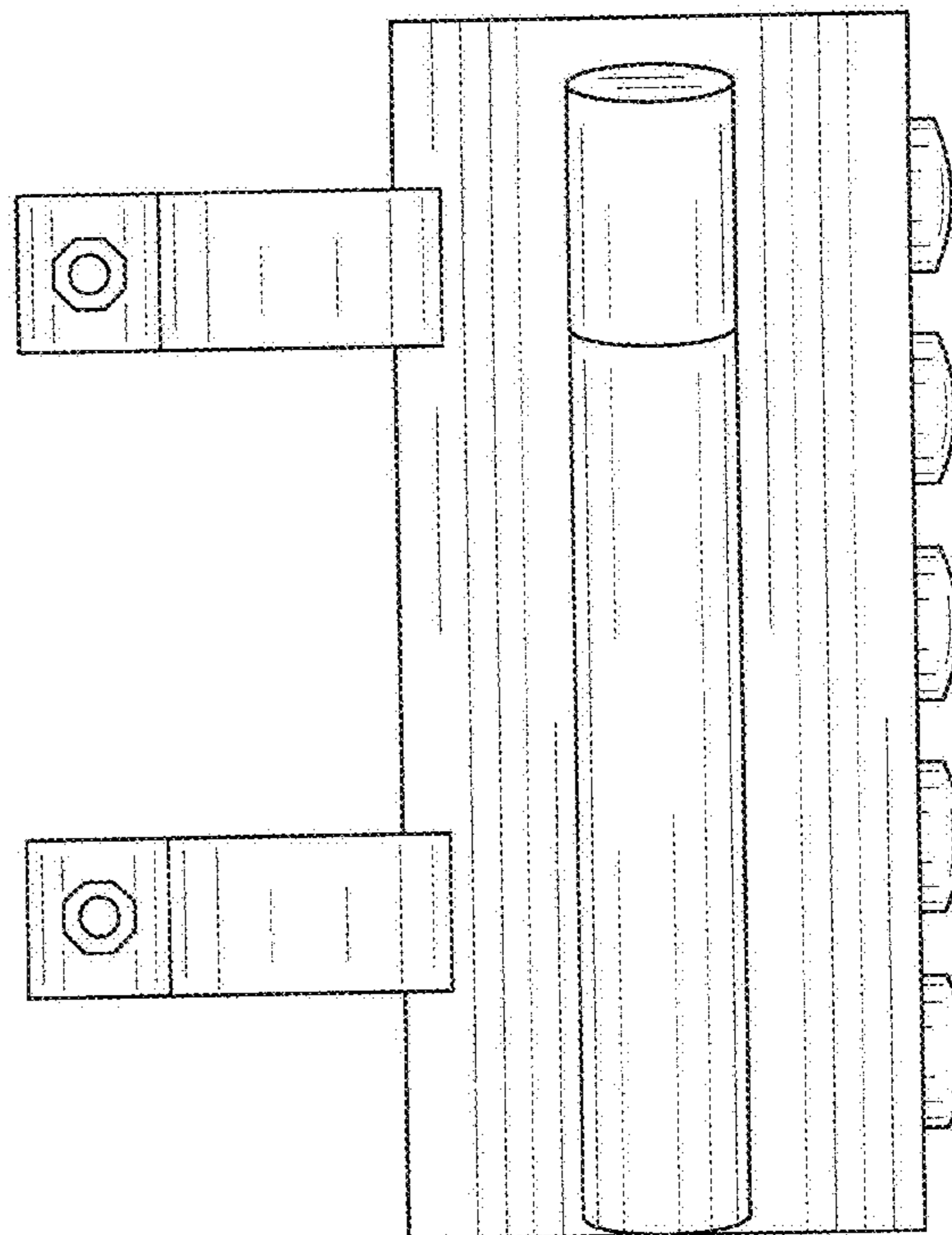
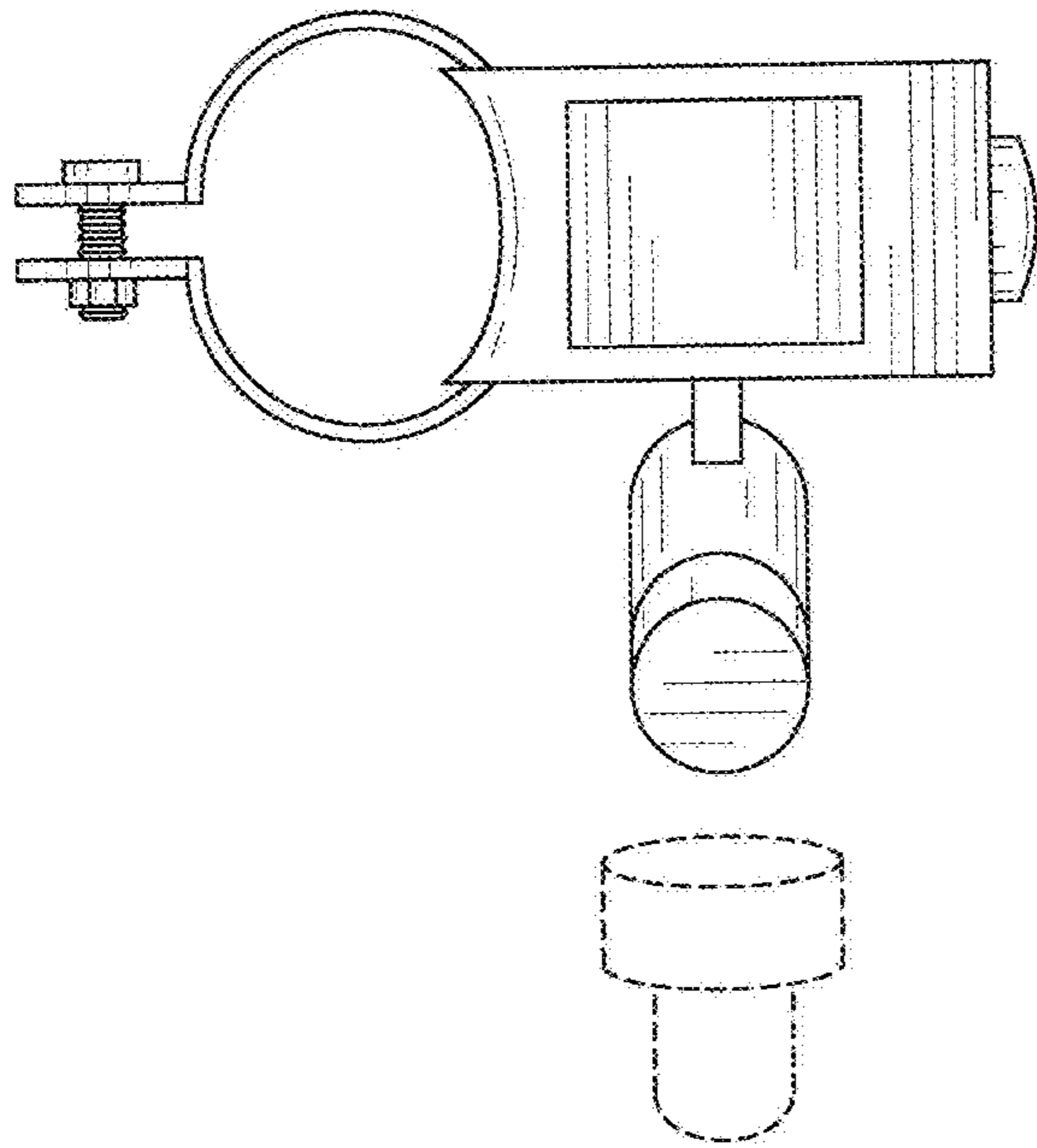
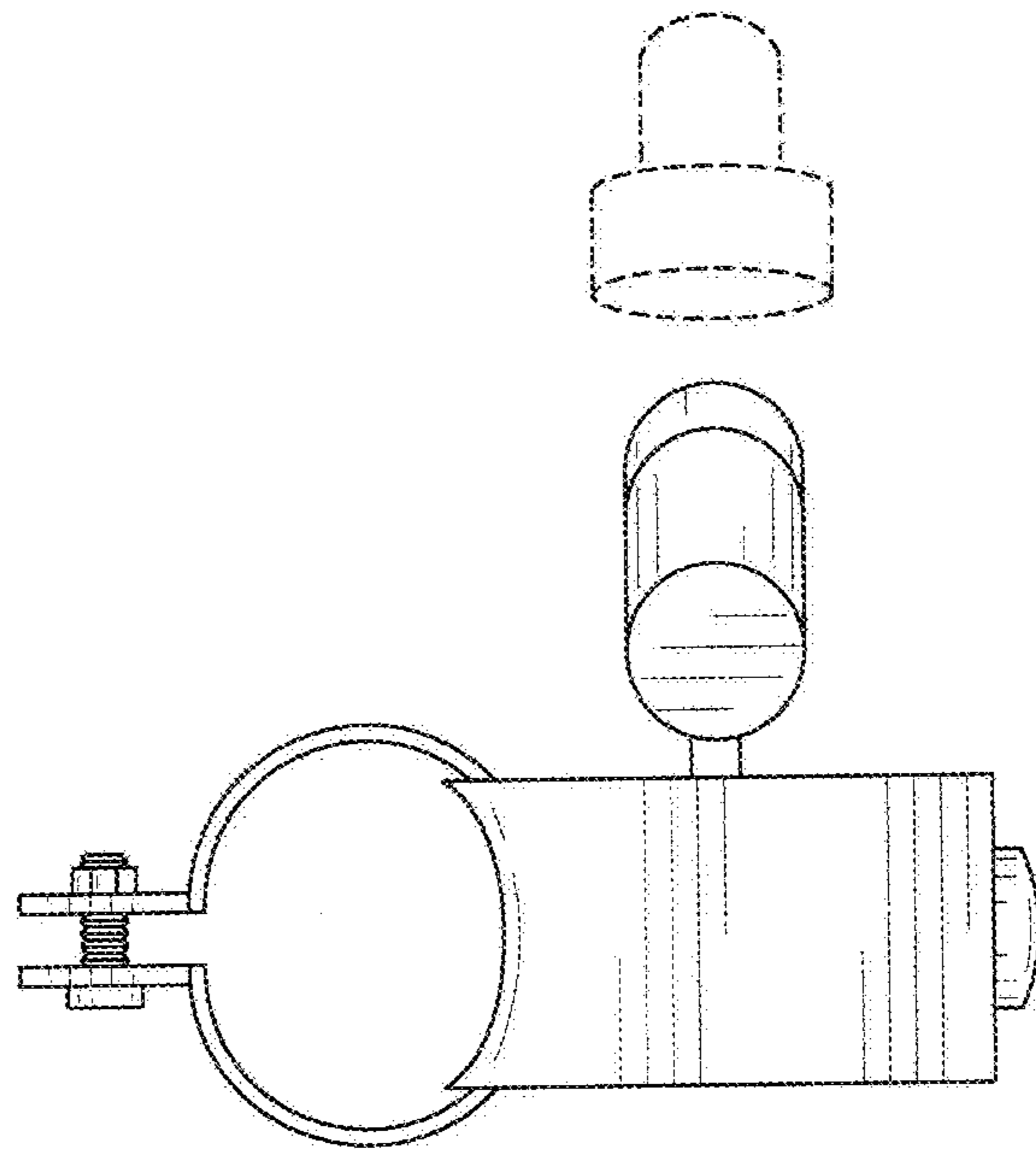


FIG. 5



**FIG. 6**



**FIG. 7**