



US00D775375S

(12) **United States Design Patent**
Thirumurugan et al.

(10) **Patent No.:** **US D775,375 S**
(45) **Date of Patent:** **** Dec. 27, 2016**

(54) **LAMP**

(71) Applicant: **LEDVANCE LLC**, Wilmington, MA (US)

(72) Inventors: **Natarajan Thirumurugan**, Wakefield, MA (US); **Valeriy Zolotykh**, Abington, MA (US); **Anil Jeswani**, Beverly, MA (US); **Shane Brown**, Haverhill, MA (US)

(73) Assignee: **LEDVANCE LLC**, Wilmington, MA (US)

(**) Term: **15 Years**

(21) Appl. No.: **29/543,326**

(22) Filed: **Oct. 22, 2015**

Related U.S. Application Data

(62) Division of application No. 29/490,522, filed on May 9, 2014, now Pat. No. Des. 744,672.

(51) **LOC (10) Cl.** **26-04**

(52) **U.S. Cl.**
USPC **D26/2**

(58) **Field of Classification Search**
USPC D26/1-4; 313/313, 315, 316, 317, 318, 313/493; 315/52, 53, 56, 57, 58
CPC F21K 9/13; F21K 9/135; F21K 9/1375; H01J 5/00; H01J 5/16; H01J 5/48; H01J 5/50; H01J 15/00; H01J 19/54; F21V 5/00

See application file for complete search history.

(56) **References Cited**

U.S. PATENT DOCUMENTS

D532,532 S * 11/2006 Maxik D26/2
D544,110 S * 6/2007 Hooker D26/2

D566,300 S * 4/2008 Lo D26/2
D581,555 S * 11/2008 To D26/2
D584,838 S * 1/2009 To D26/2
D610,722 S * 2/2010 Bi D26/2

* cited by examiner

Primary Examiner — Marcus Jackson

(74) *Attorney, Agent, or Firm* — Andrew Martin

(57) **CLAIM**

The ornamental design for a lamp, as shown and described.

DESCRIPTION

FIG. 1 is a perspective view of an embodiment of the ornamental design of the lamp.

FIG. 2 is a top view of an embodiment of the ornamental design of the lamp.

FIG. 3 is a side view of an embodiment of the ornamental design of the lamp.

FIG. 4 is a front/back view of an embodiment of the ornamental design of the lamp.

FIG. 5 is a bottom view of an embodiment of the ornamental design of the lamp.

FIG. 6 is another perspective view of an embodiment of the ornamental design of the lamp.

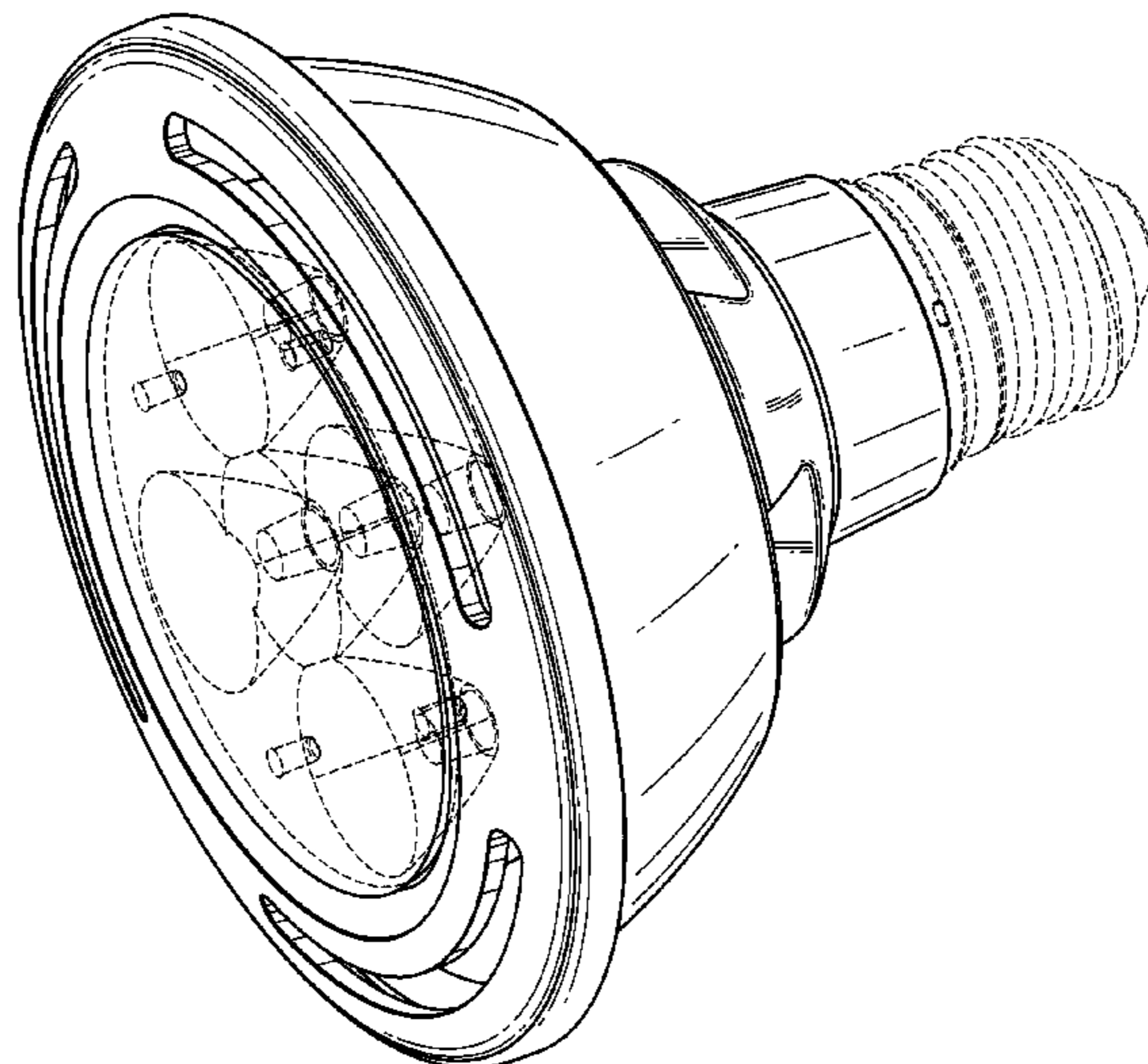
FIG. 7 is another top view of an embodiment of the ornamental design of the lamp.

FIG. 8 is another perspective view of an embodiment of the ornamental design of the lamp; and,

FIG. 9 is another top view of an embodiment of the ornamental design of the lamp.

The broken-line disclosure in the views is understood to represent portions of the article in which the claimed design is embodied, but which form no part of the claimed design.

1 Claim, 9 Drawing Sheets



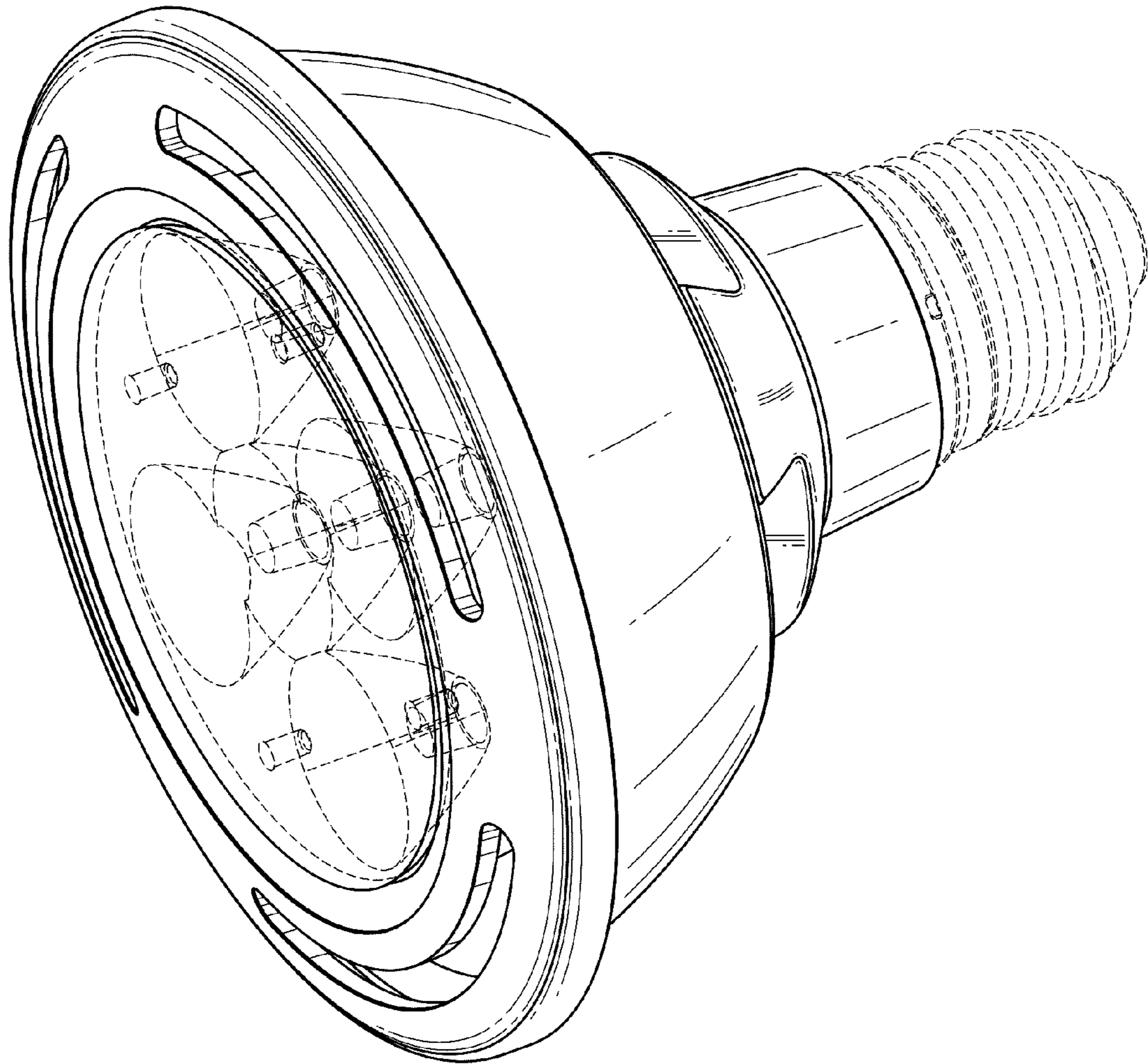


FIG. 1

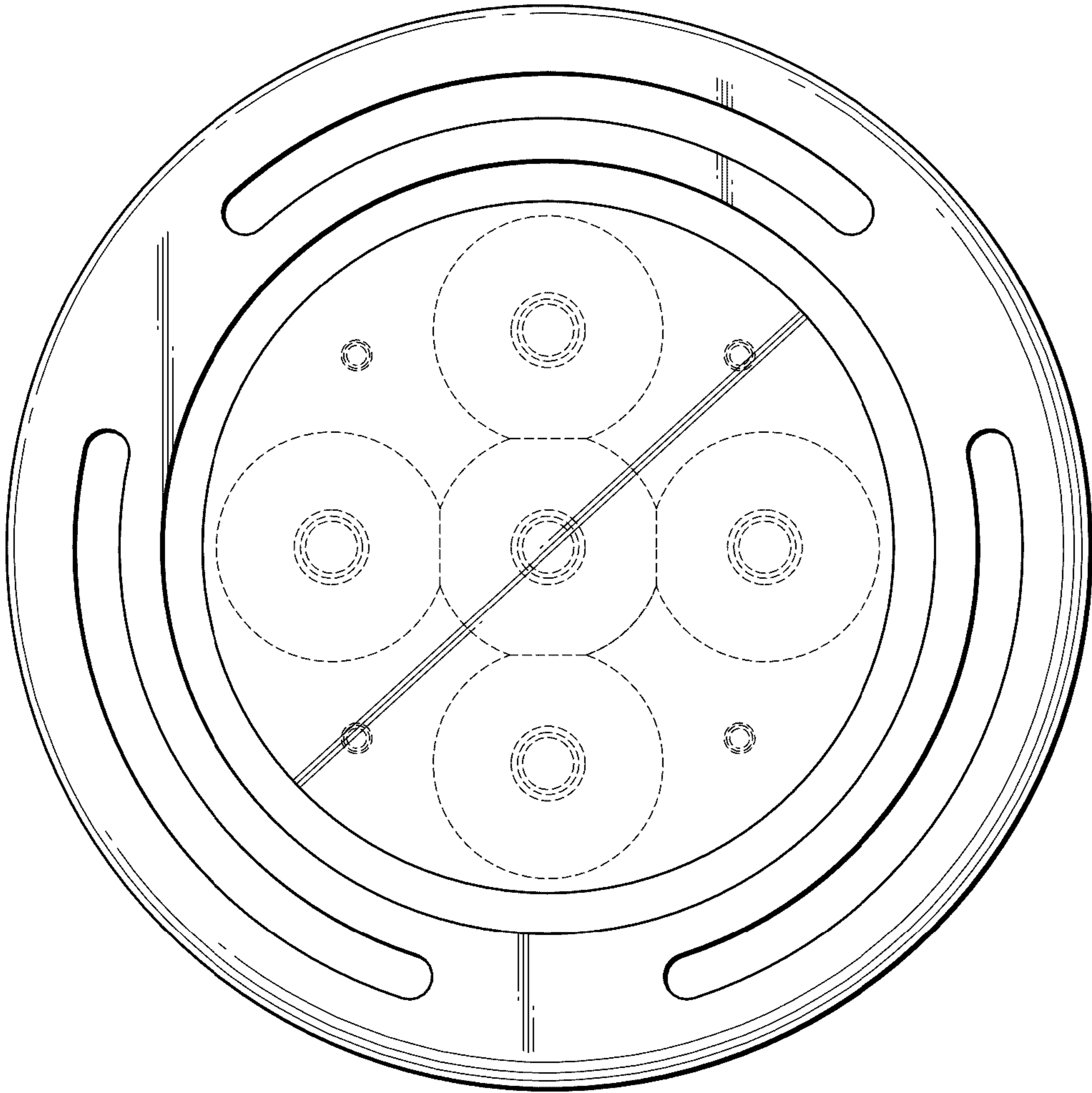


FIG. 2

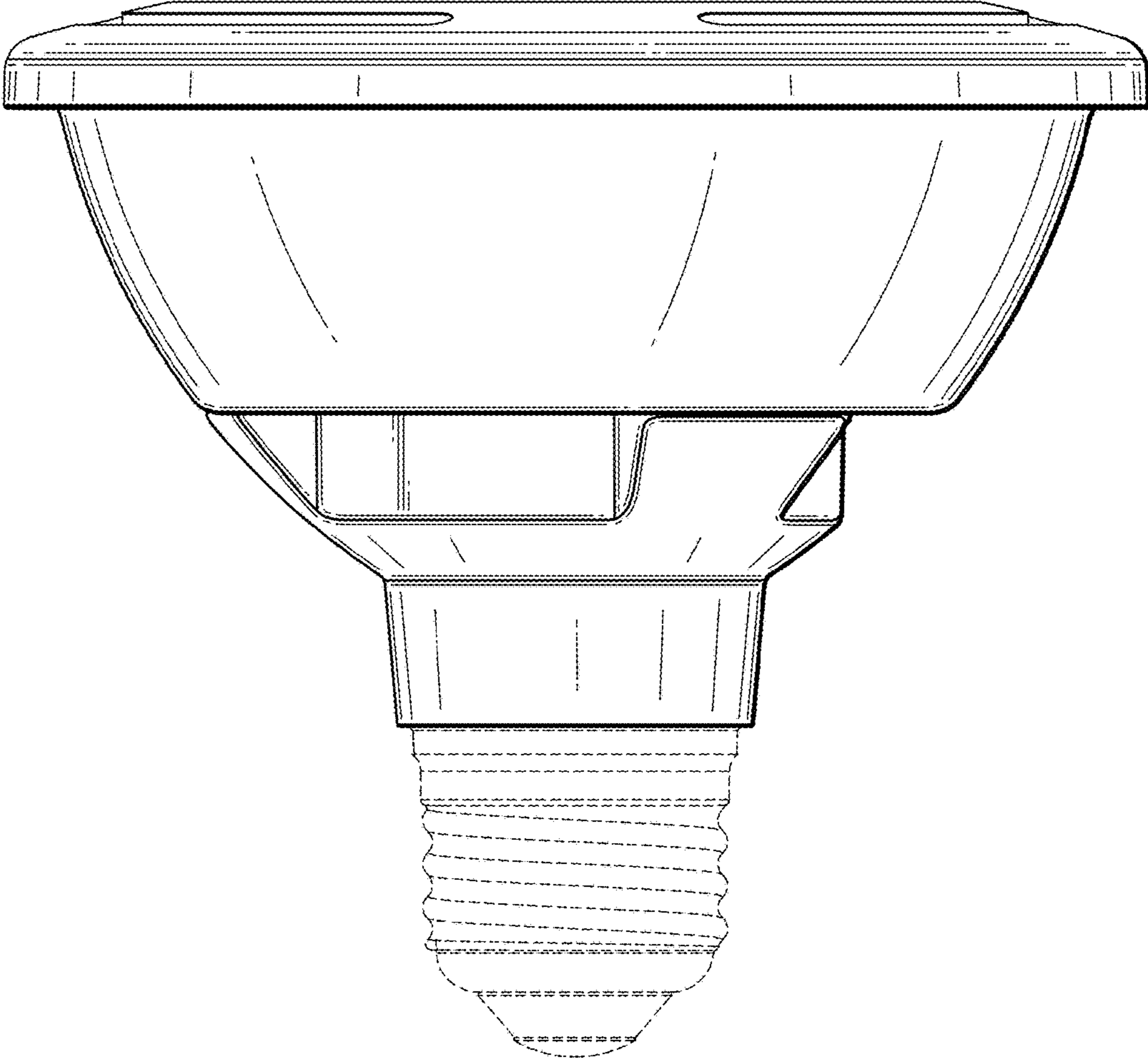


FIG. 3

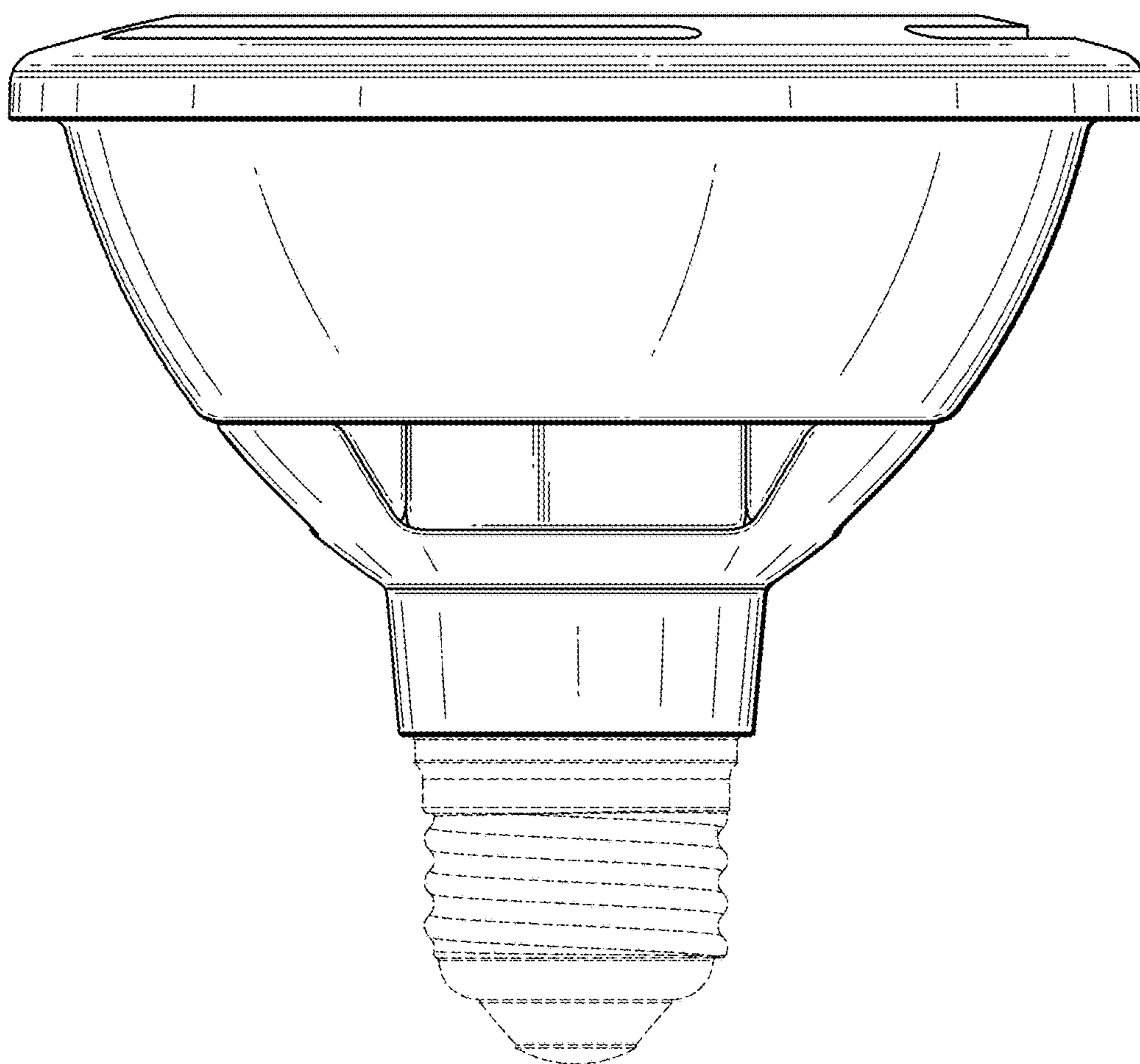


FIG. 4

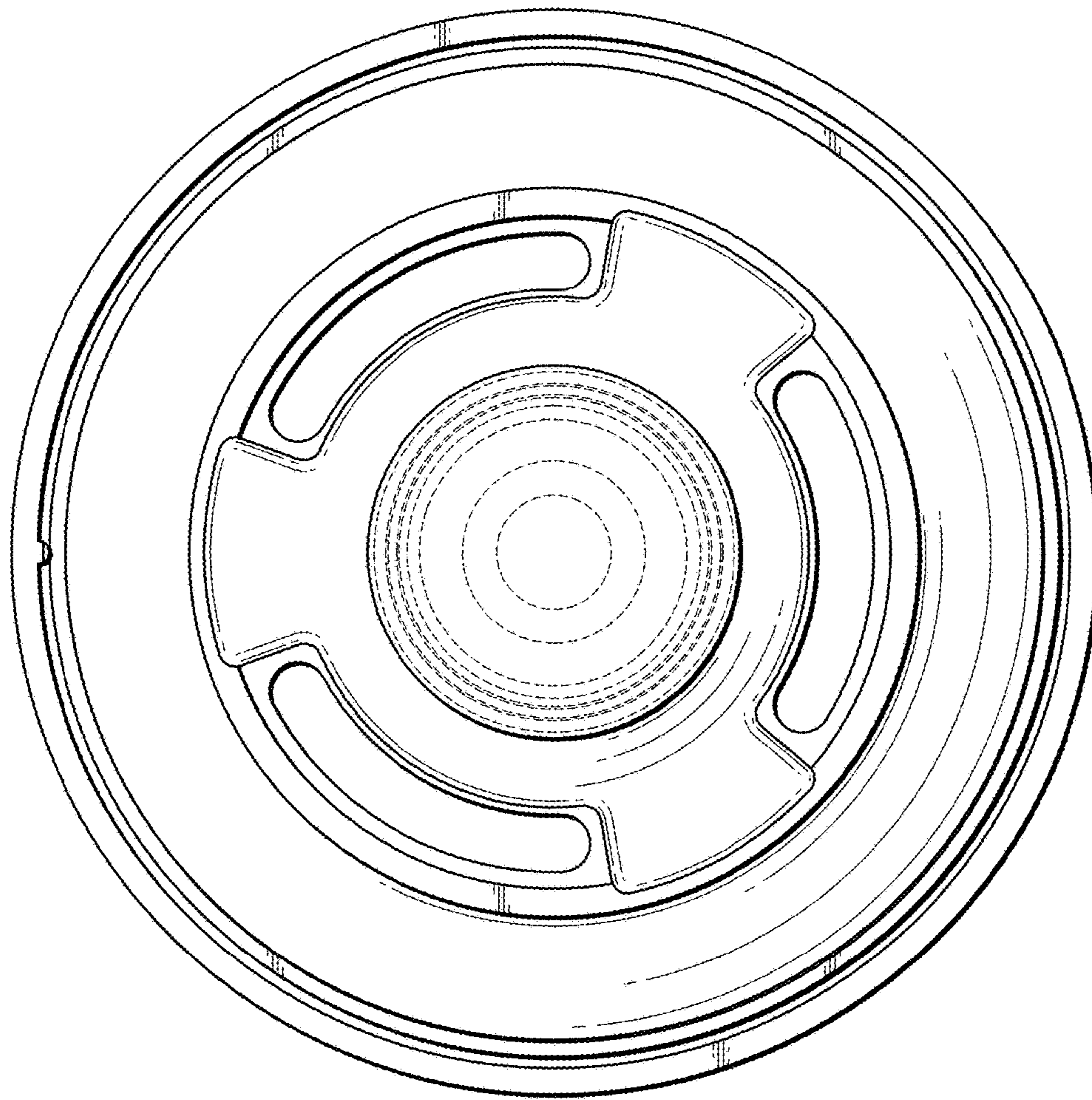


FIG. 5

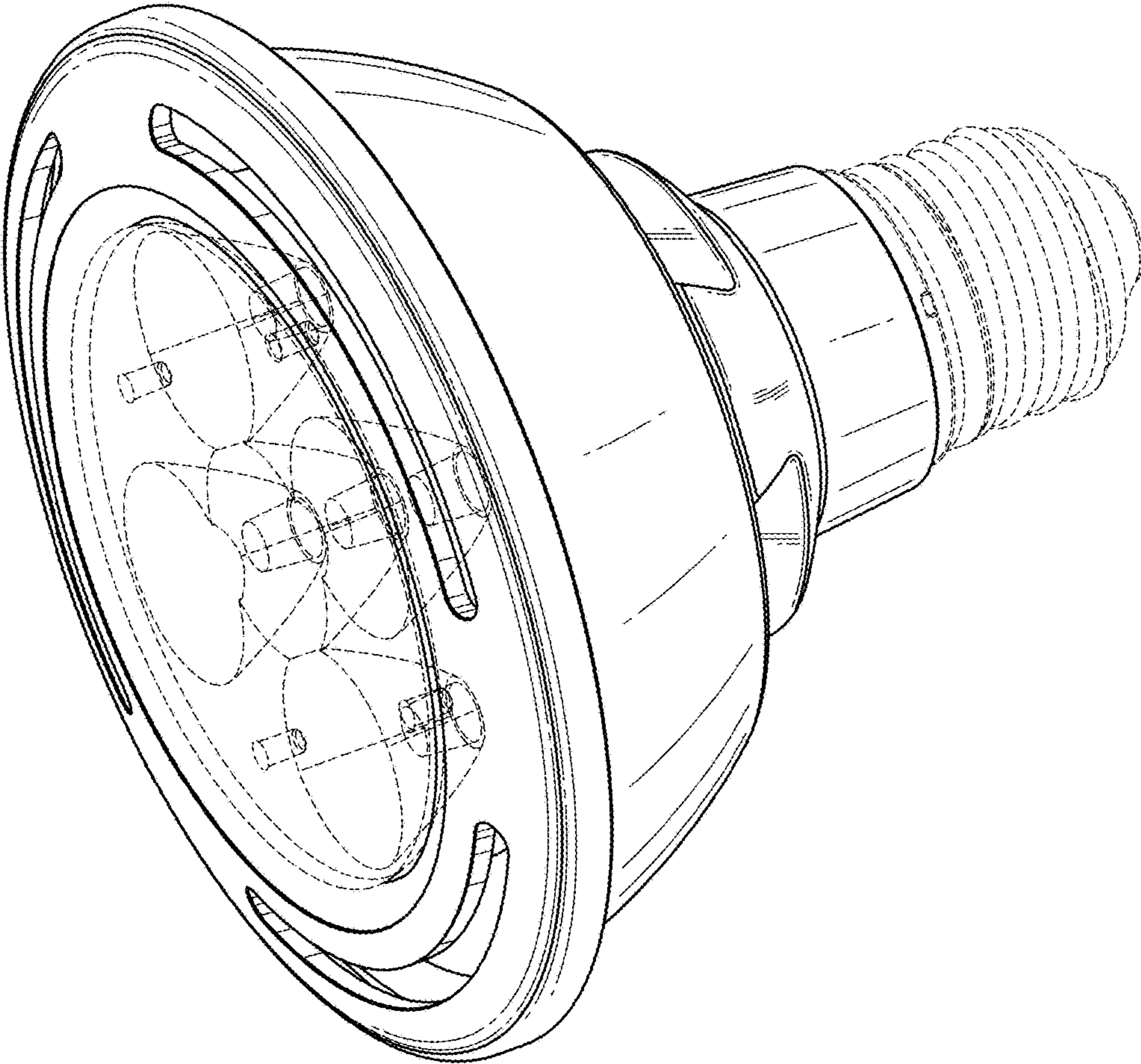


FIG. 6

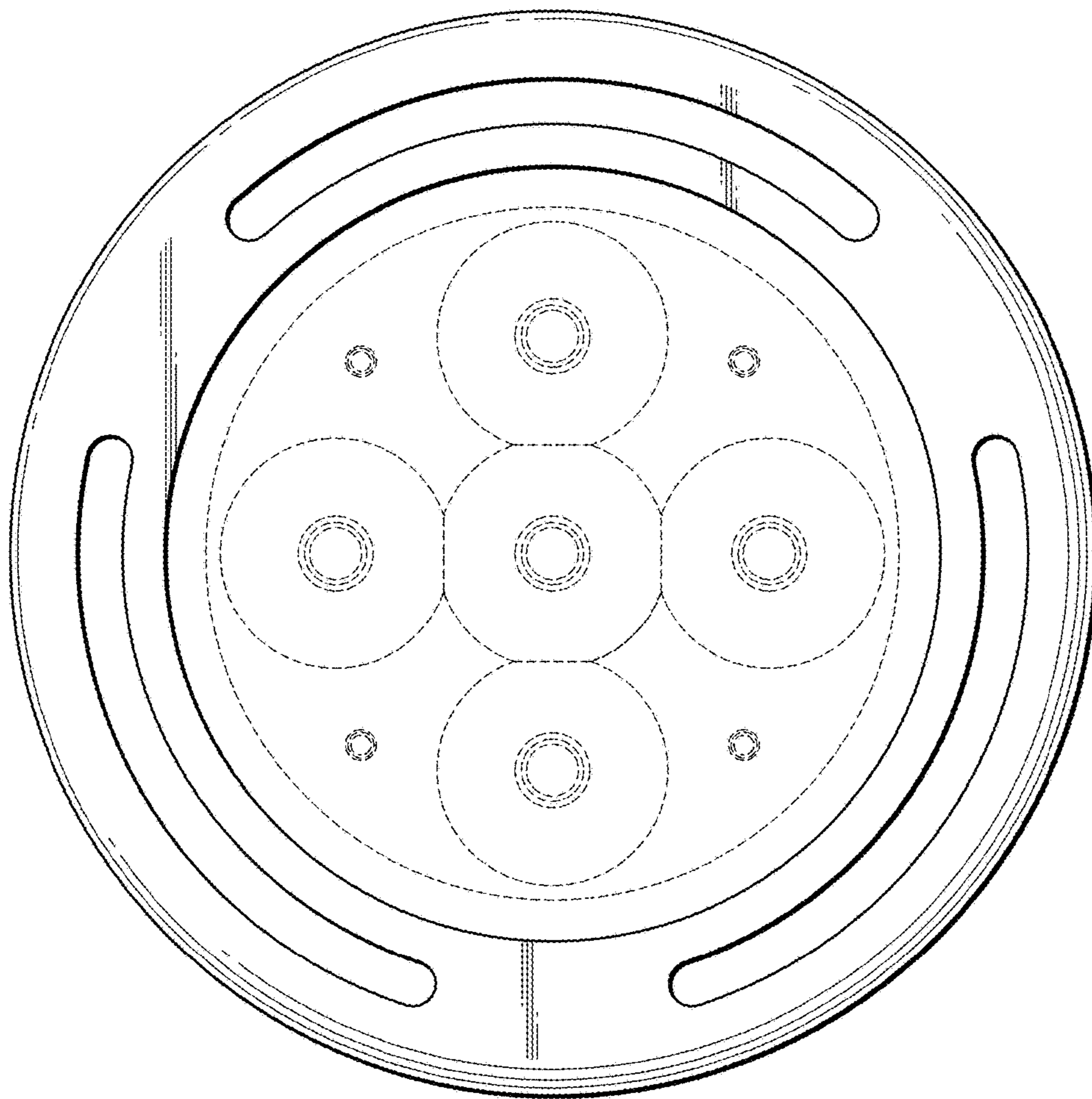


FIG. 7

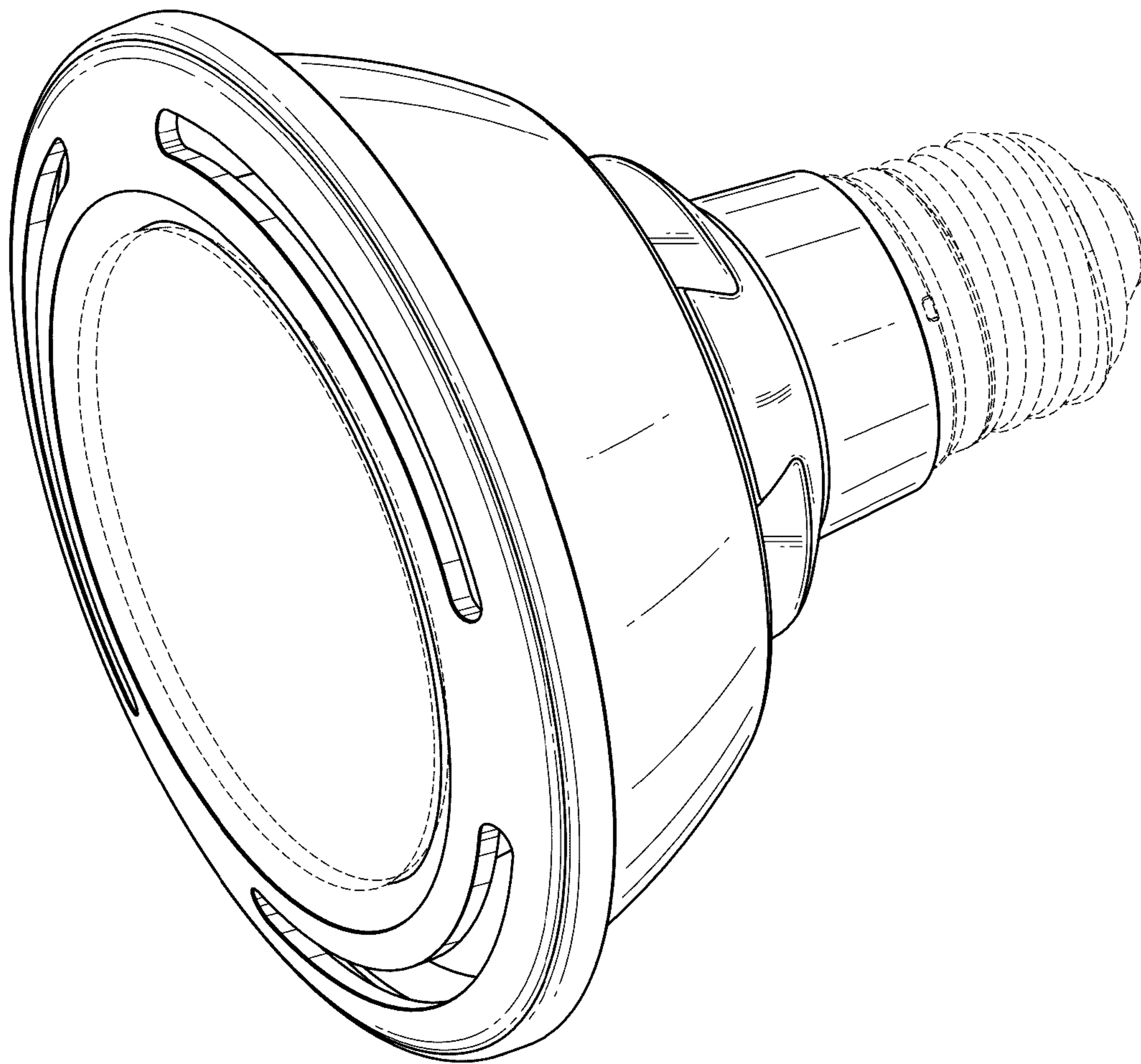


FIG. 8

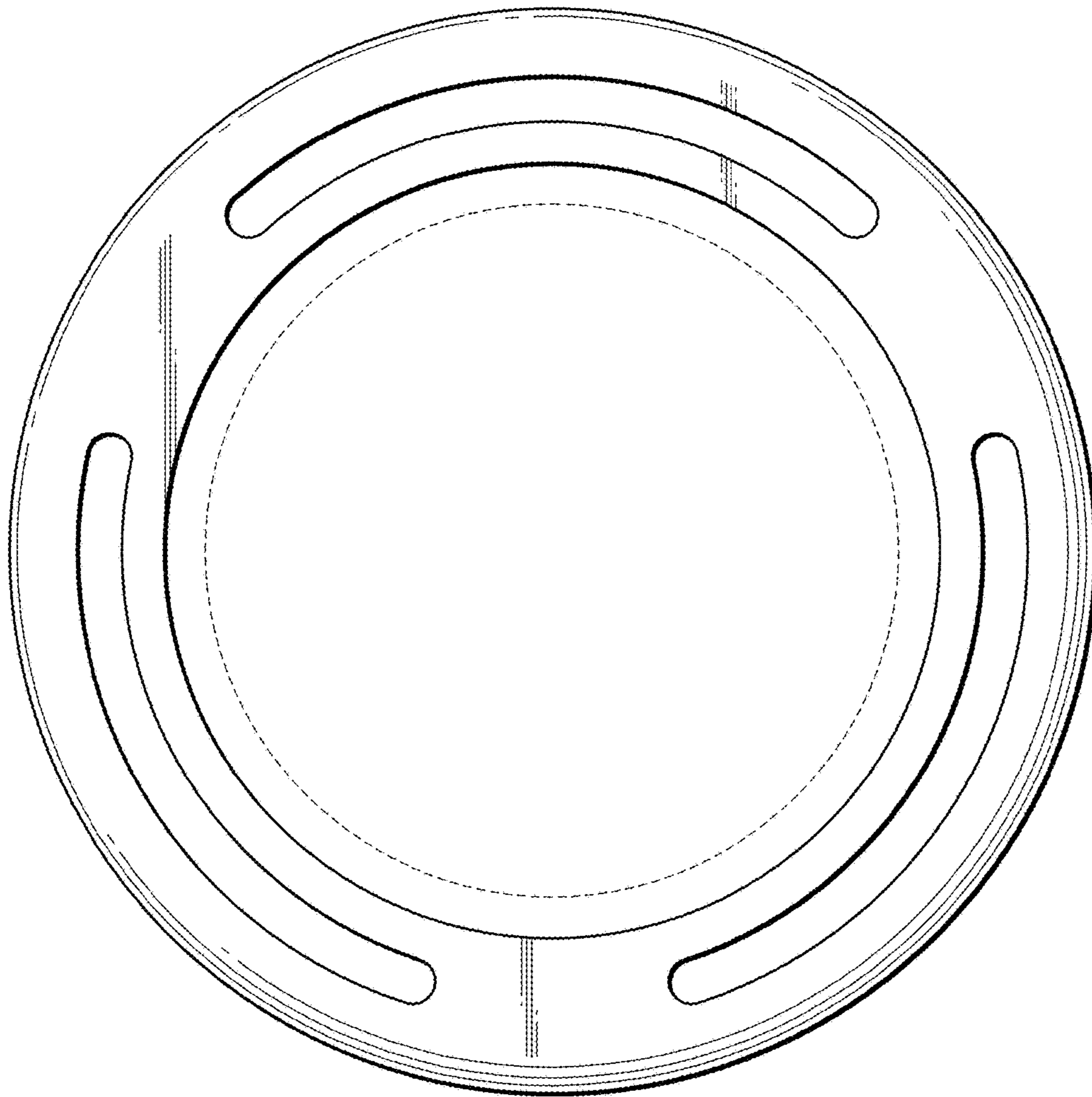


FIG. 9