



US00D775374S

(12) **United States Design Patent**
Walker et al.

(10) **Patent No.:** **US D775,374 S**

(45) **Date of Patent:** **** Dec. 27, 2016**

(54) **RAILING**

(71) Applicant: **Peak Innovations Inc.**, Richmond (CA)

(72) Inventors: **Simon Walker**, Delta (CA); **Craig Lawson**, Burnaby (CA); **Charles Young**, Vancouver (CA); **Hou Jun (Frank) Fan**, Surrey (CA)

(73) Assignee: **Peak Innovations Inc.**, Richmond (CA)

(**) Term: **15 Years**

(21) Appl. No.: **29/535,639**

(22) Filed: **Aug. 7, 2015**

(51) **LOC (10) Cl.** **25-01**

(52) **U.S. Cl.**
USPC **D25/126**

(58) **Field of Classification Search**
USPC D25/38.1, 41.1, 42, 43, 44, 119, 124,
D25/125, 126, 141; 52/478, 537, 235,
52/309.14, 518, 535, 204.1, 204.2, 206,
52/204.62, 204.7, 656.2, 656.6, 79.1,
52/79.2, 79.9; 49/504; D8/349
See application file for complete search history.

(56) **References Cited**

U.S. PATENT DOCUMENTS

4,994,944	A	2/1991	Vernondier	
5,107,408	A	4/1992	Vernondier	
D410,753	S *	6/1999	Davis	D25/38.1
6,050,709	A *	4/2000	Hastings	F21V 17/007 362/145
6,955,458	B2	10/2005	Cheema	
7,066,618	B1	6/2006	Little	

D536,098	S *	1/2007	Walker	D25/38.1
D551,774	S *	9/2007	McGinness	D25/135
D574,509	S *	8/2008	Koch	D25/38.1
D584,419	S *	1/2009	Koch	D25/38.1
D661,813	S *	6/2012	Walker	D25/38.1
D734,495	S *	7/2015	Walde	D25/38.1
D755,988	S *	5/2016	Walker	D25/119
D764,380	S *	8/2016	Conrad	D12/317
D765,009	S *	8/2016	Conrad	D12/317

* cited by examiner

Primary Examiner — Garth Rademaker

Assistant Examiner — Samantha Q Lawrence

(74) *Attorney, Agent, or Firm* — Smiths IP

(57) **CLAIM**

The ornamental design for a railing, as shown and described.

DESCRIPTION

FIG. 1 is a perspective view of a railing showing our new design;
 FIG. 2 is a top view of the railing shown in FIG. 1;
 FIG. 3 is a left side view of the railing shown in FIG. 1, the right side view being identical;
 FIG. 4 is a bottom view of the railing shown in FIG. 1;
 FIG. 5 is a front view of the railing shown in FIG. 1, the rear view being identical; and,
 FIG. 6 is an exploded view of the railing shown in FIG. 1.
 The railing is shown with a symbolic break in its length. The appearance of any portion of the article between the break lines forms no part of the claimed design.

1 Claim, 2 Drawing Sheets

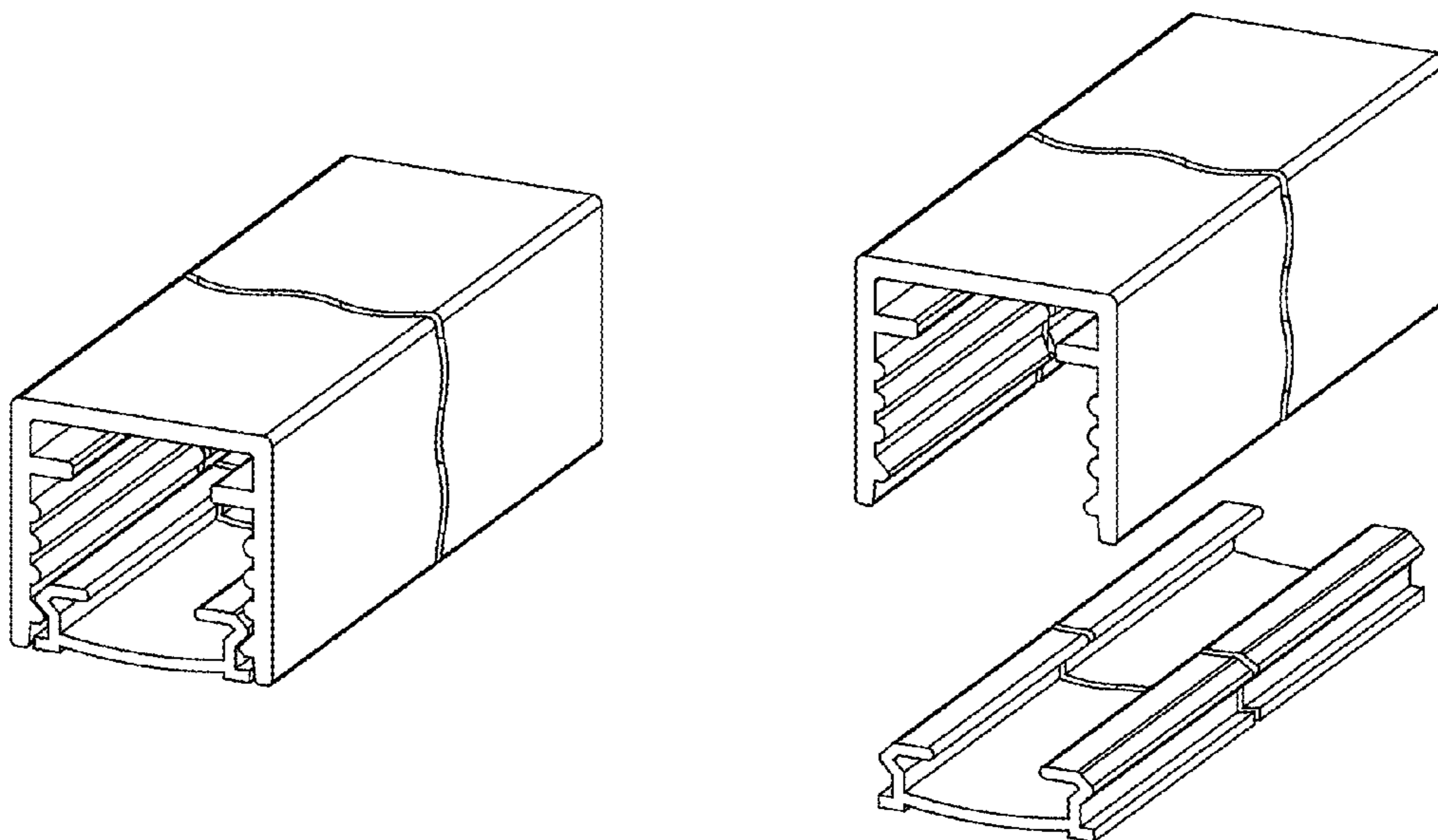


Fig. 1

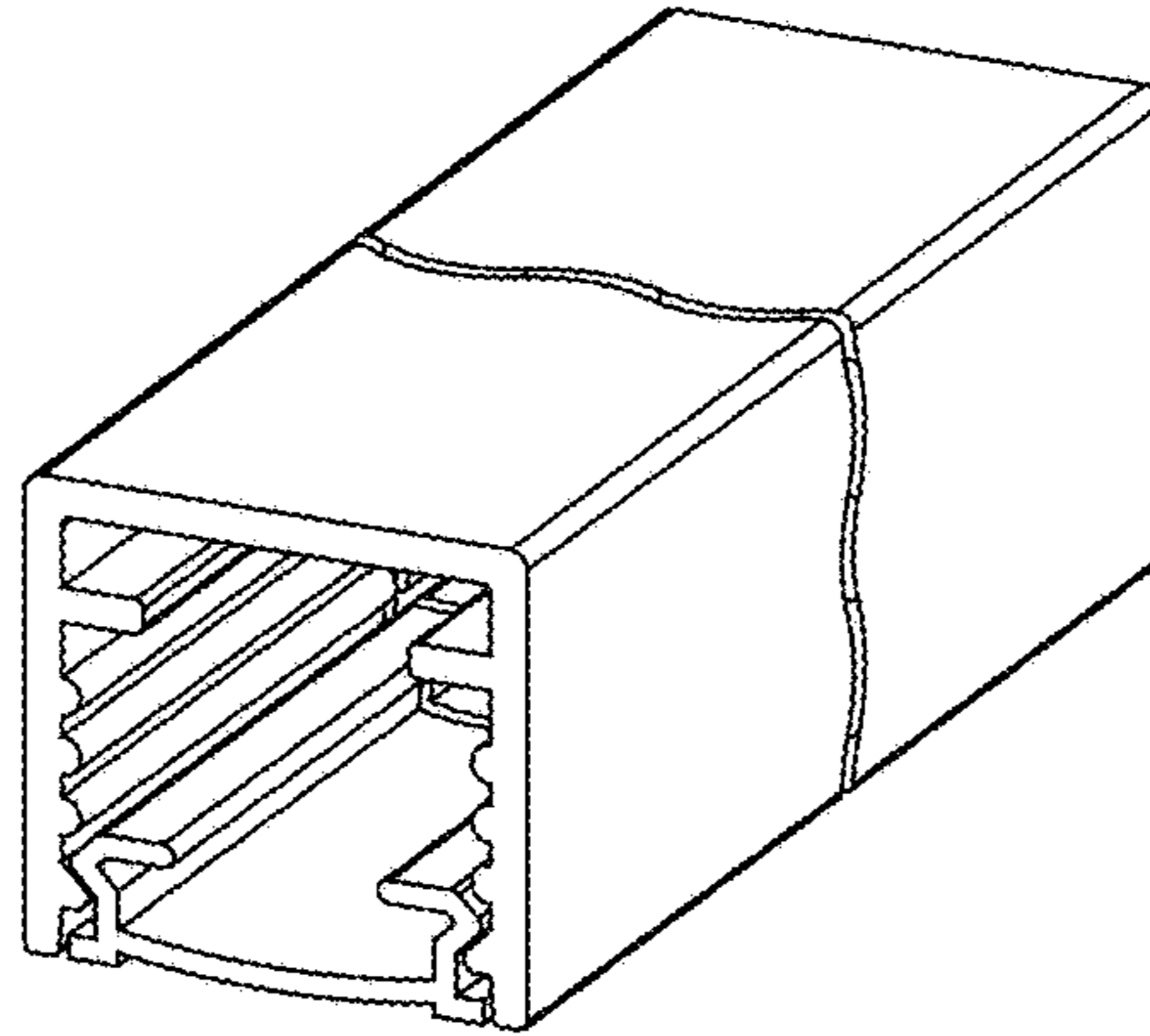


Fig. 2

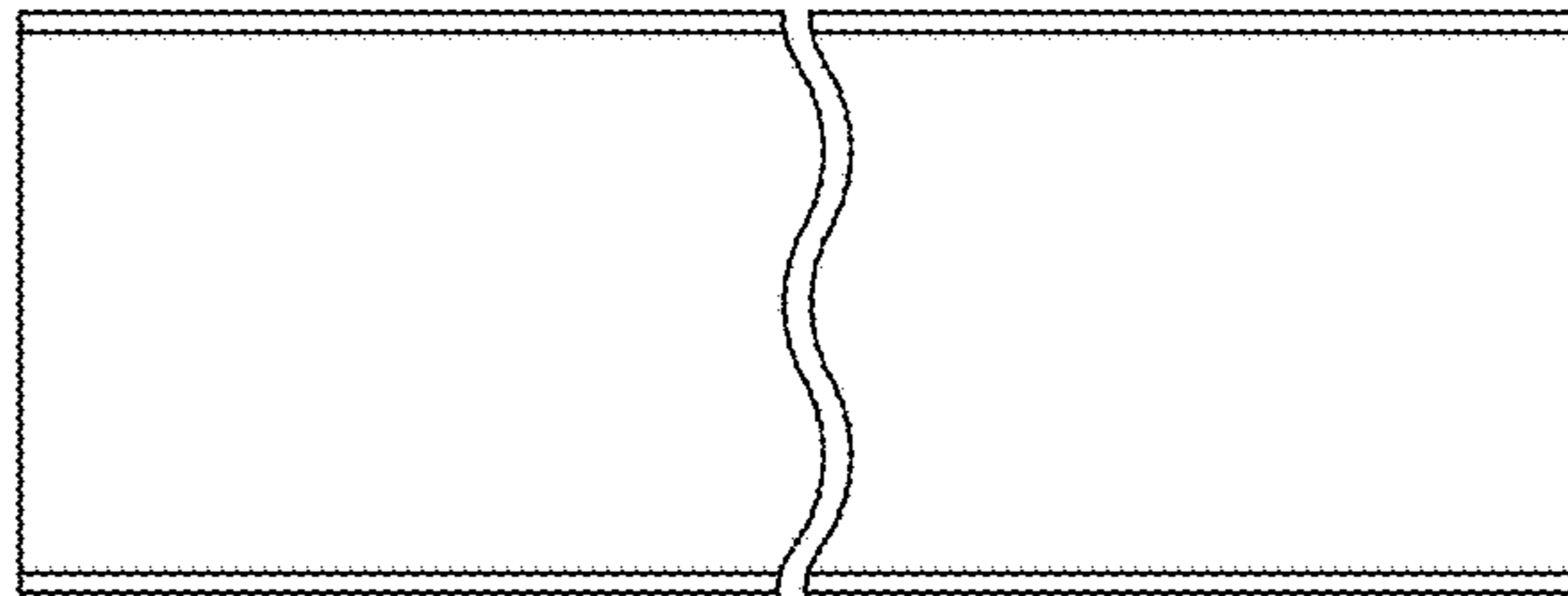


Fig. 3

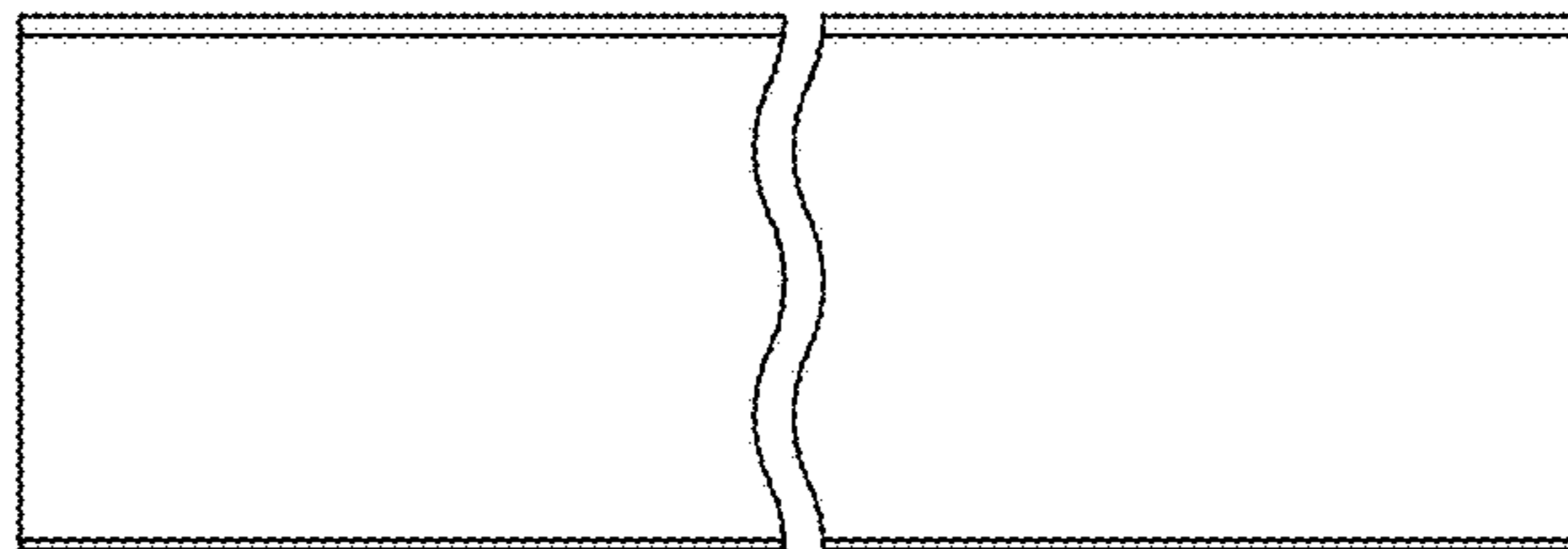


Fig. 4

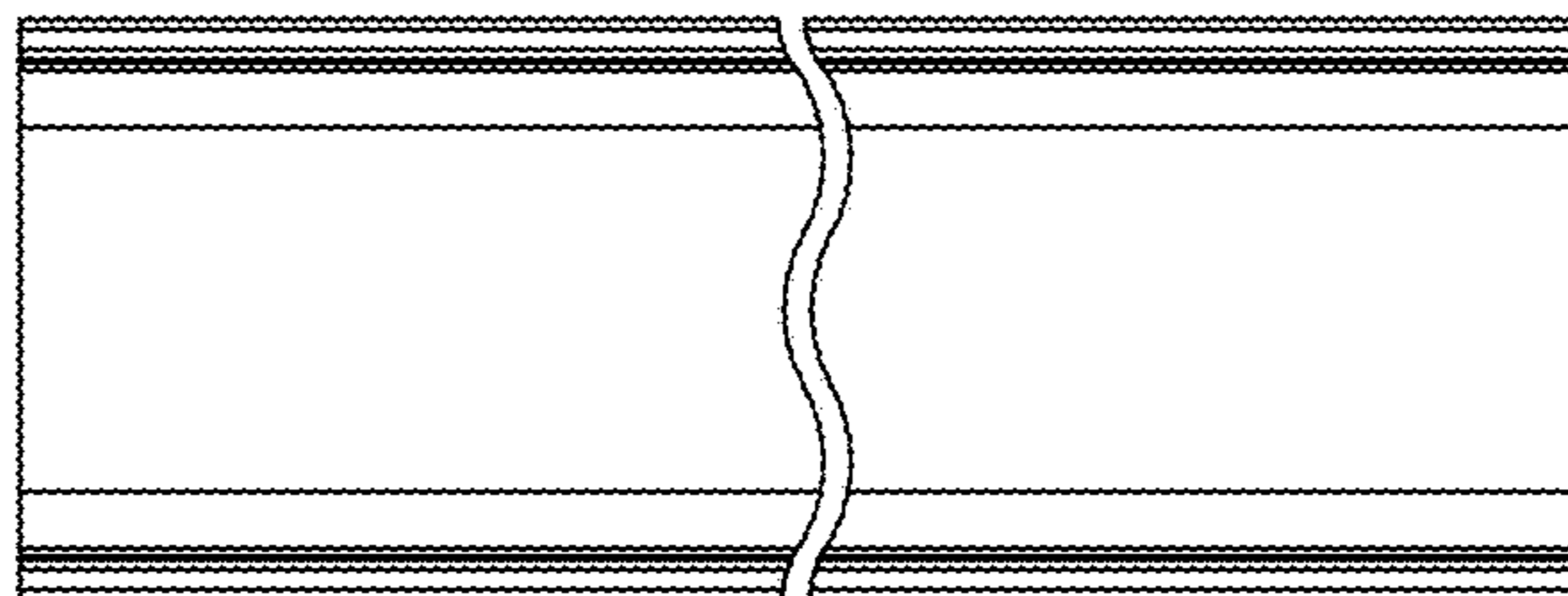


Fig. 5

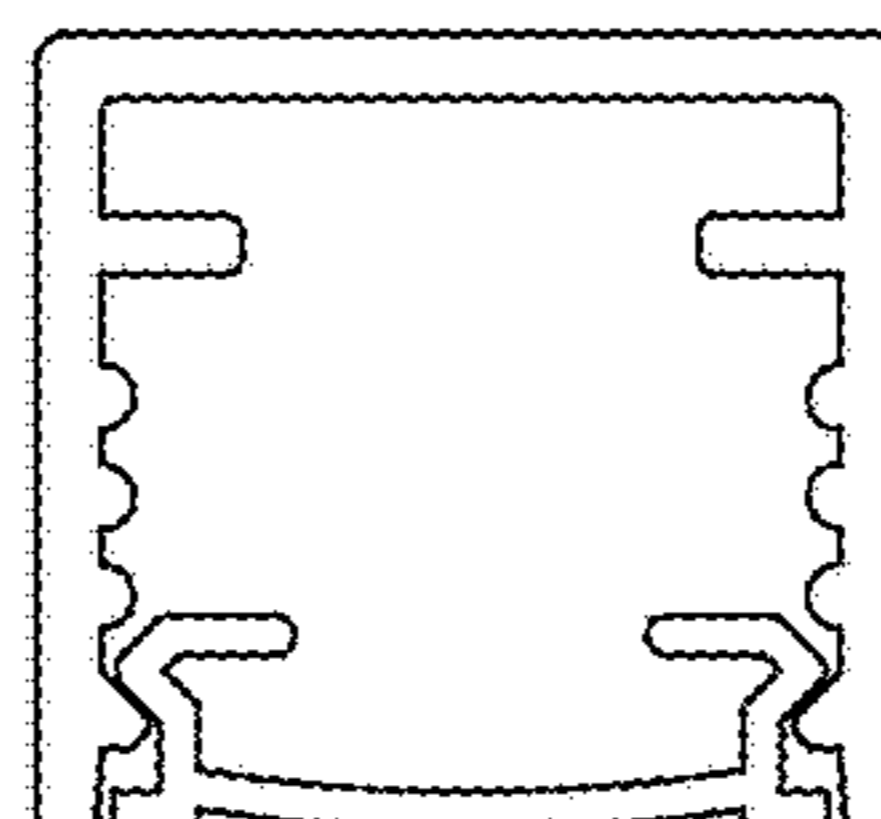


Fig. 6

