



US00D775372S

(12) **United States Design Patent** (10) **Patent No.:** **US D775,372 S**
Lundell et al. (45) **Date of Patent:** **** Dec. 27, 2016**

(54) **LANDSCAPING BLOCK**

(71) Applicants: **Robert John Lundell**, Stillwater, MN (US); **Thomas S. Riccobene**, Albuquerque, NM (US)

(72) Inventors: **Robert John Lundell**, Stillwater, MN (US); **Thomas S. Riccobene**, Albuquerque, NM (US)

(73) Assignee: **KEYSTONE RETAINING WALL SYSTEMS LLC**, West Chester, OH (US)

(**) Term: **14 Years**

(21) Appl. No.: **29/523,979**

(22) Filed: **Apr. 15, 2015**

(51) **LOC (10) Cl.** **25-01**

(52) **U.S. Cl.**

USPC **D25/113**; D25/151

(58) **Field of Classification Search**

USPC D5/43, 44; D21/484-486, 489-494, D21/499-504; D25/102, 112, 113, 136, D25/138, 140, 149, 151, 153, 156, 157, D25/159, 161-163, 199; 52/102, 52/384-389, 390, 503-505, 574-576, 52/603-612; 404/18-20, 27-42; 405/16, 405/284, 286

(Continued)

(56) **References Cited**

U.S. PATENT DOCUMENTS

D21,428 S * 3/1892 Berger D5/44
479,054 A 7/1892 Briggs

(Continued)

FOREIGN PATENT DOCUMENTS

WO D040808-002 * 9/1997

OTHER PUBLICATIONS

Home Depot Hardscapes Valestone Inspiration Book, Monaco Paver, pp. 6-7 (2013).

Primary Examiner — Susan Bennett Hattan

Assistant Examiner — Leanne Was

(74) *Attorney, Agent, or Firm* — Popovich, Wiles & O'Connell, P.A.

(57) **CLAIM**

The ornamental design for a landscaping block, as shown and described.

DESCRIPTION

FIG. 1 is a top perspective view of an embodiment of a landscaping block;

FIG. 2 is a top plan view thereof;

FIG. 3 is a bottom plan view thereof;

FIG. 4 is a front elevational view thereof;

FIG. 5 is a back elevational view thereof;

FIG. 6 is a right side elevational view thereof;

FIG. 7 is a left side elevational view thereof;

FIG. 8 is a top perspective view of a variant of the landscaping block of FIGS. 1 to 7;

FIG. 9 is a top plan view thereof;

FIG. 10 is a bottom plan view thereof;

FIG. 11 is a front elevational view thereof;

FIG. 12 is a back elevational view thereof;

FIG. 13 is a right side elevational view thereof; and,

FIG. 14 is a left side elevational view thereof;

FIG. 15 is a top perspective view of a variant of the landscaping block of FIGS. 1 to 7;

FIG. 16 is a top plan view thereof;

FIG. 17 is a bottom plan view thereof;

FIG. 18 is a front elevational view thereof;

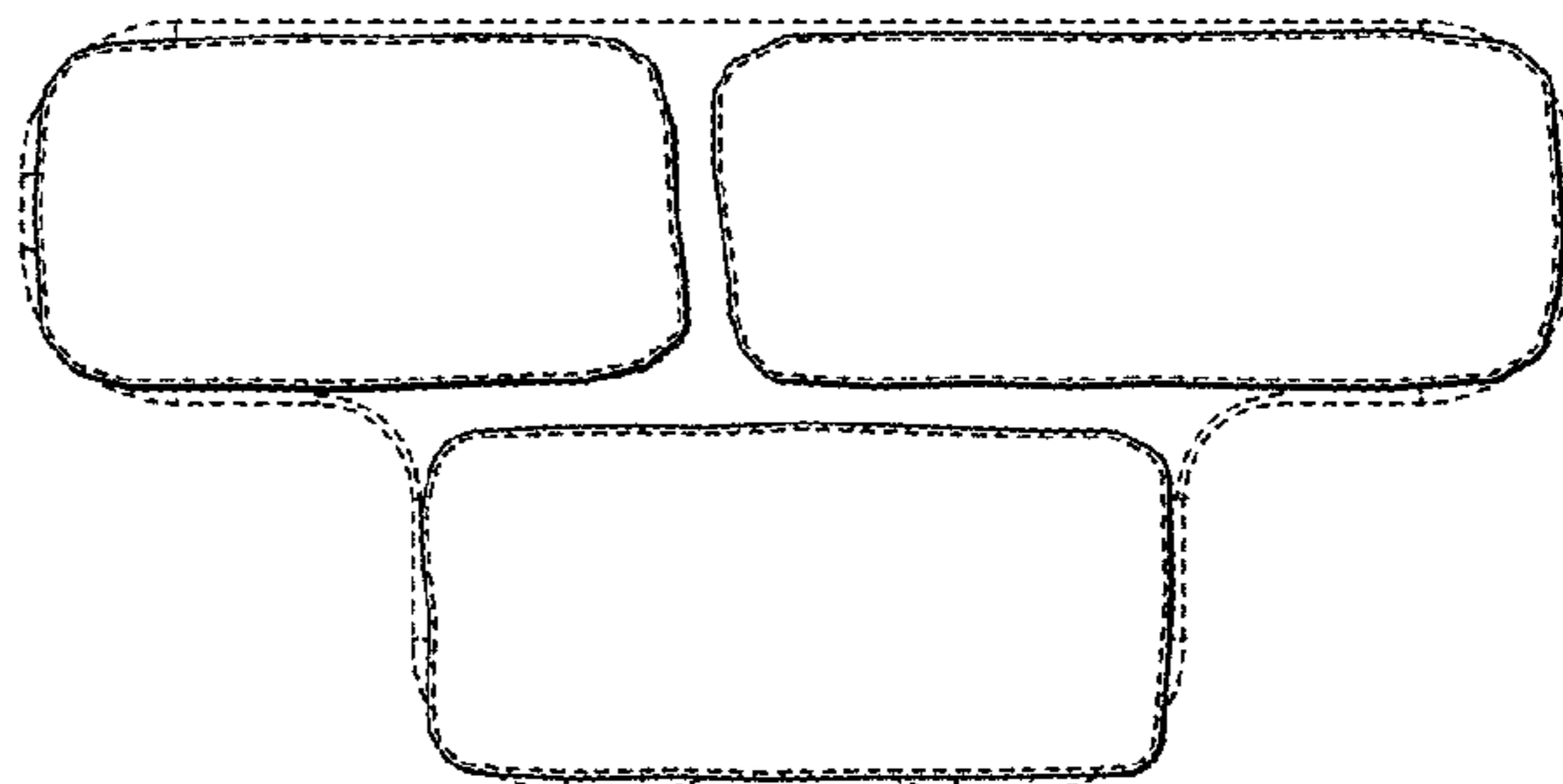
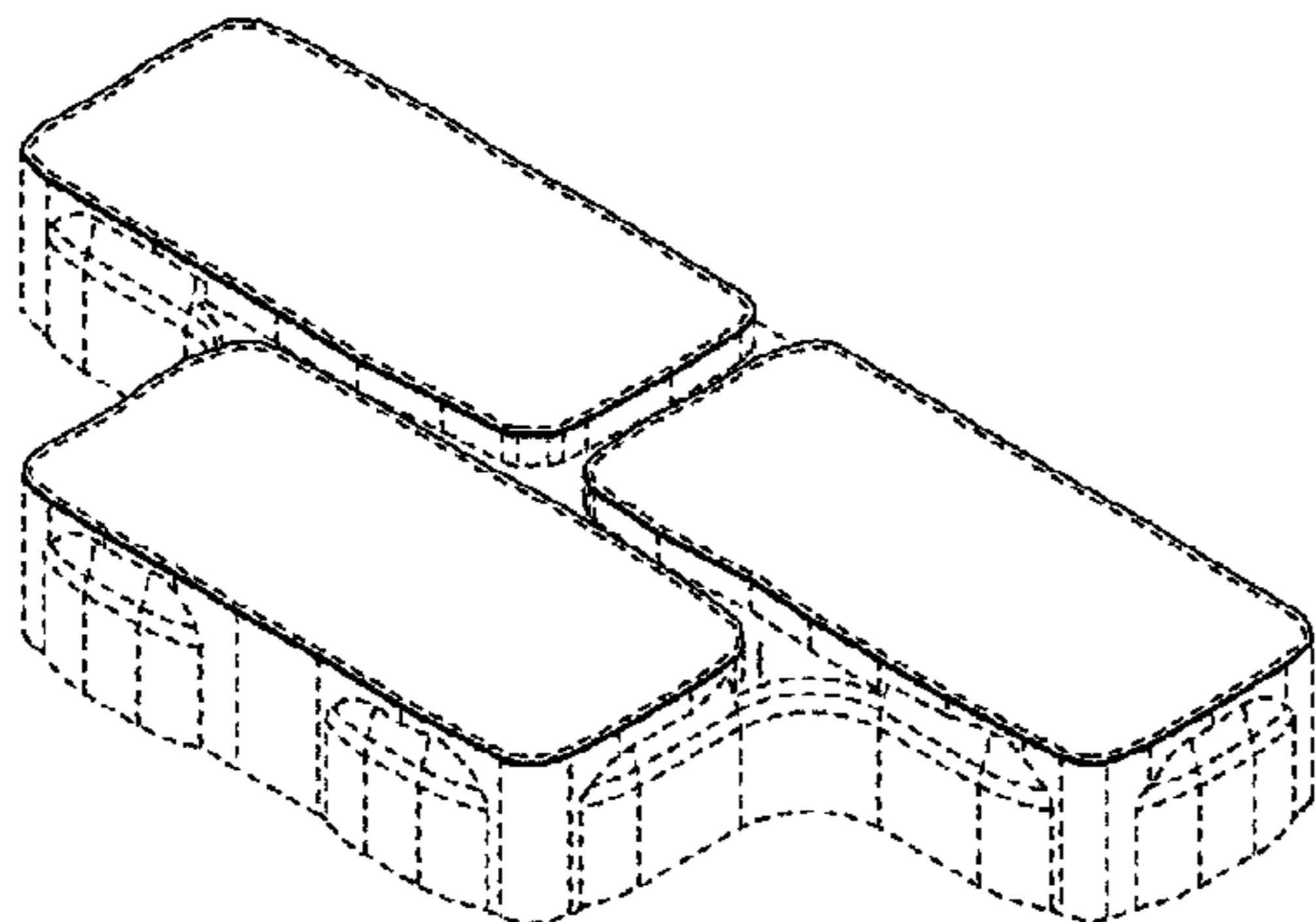
FIG. 19 is a back elevational view thereof;

FIG. 20 is a right side elevational view thereof; and,

FIG. 21 is a left side elevational view thereof.

The broken lines in the figures depict portions of the landscaping block that form no part of the claimed design.

1 Claim, 3 Drawing Sheets



(58) **Field of Classification Search**
 CPC B28B 7/007; B28B 7/24; B28B 7/0073;
 B28B 7/183; E04C 1/395; E02D 29/025;
 E04B 2002/0267; E04B 2002/026
 See application file for complete search history.

(56) **References Cited**
 U.S. PATENT DOCUMENTS

1,244,008 A 10/1917 Wheeler
 1,794,572 A 3/1931 Wyatt
 5,054,957 A 10/1991 Johnson, II
 5,251,997 A 10/1993 Brock
 D365,643 S 12/1995 Wilhelm
 5,496,129 A 3/1996 Dube
 D389,926 S 1/1998 Barth et al.
 D425,628 S 5/2000 Barth et al.
 D425,629 S 5/2000 Abbrancati
 6,055,784 A 5/2000 Geiger
 D426,317 S 6/2000 Fifield
 D426,648 S 6/2000 Ogawa et al.
 D485,370 S 1/2004 Schmitz et al.

D498,543 S 11/2004 Schmitz et al.
 D505,733 S * 5/2005 Castonguay D25/113
 6,942,420 B1 9/2005 Drost et al.
 7,220,078 B2 5/2007 Drost et al.
 D582,056 S * 12/2008 Plies D25/113
 D620,151 S * 7/2010 Perkins D25/156
 D630,339 S 1/2011 Coleman et al.
 D639,454 S 6/2011 Thomassen
 D656,625 S 3/2012 MacDonald et al.
 D664,677 S 7/2012 Riccobene
 D674,118 S 1/2013 MacDonald et al.
 D676,151 S * 2/2013 Mugge D25/113
 D689,624 S 9/2013 Pacitto
 D701,619 S 3/2014 Pacitto
 D731,675 S * 6/2015 Karau D25/113
 D739,041 S * 9/2015 Karau D25/113
 D739,561 S * 9/2015 Karau D25/113
 2007/0289247 A1 * 12/2007 Hamel B28B 7/007
 52/596
 2014/0112715 A1 4/2014 Browning et al.
 2014/0345224 A1 * 11/2014 Hamel B28B 7/007
 52/311.2

* cited by examiner

Fig. 1

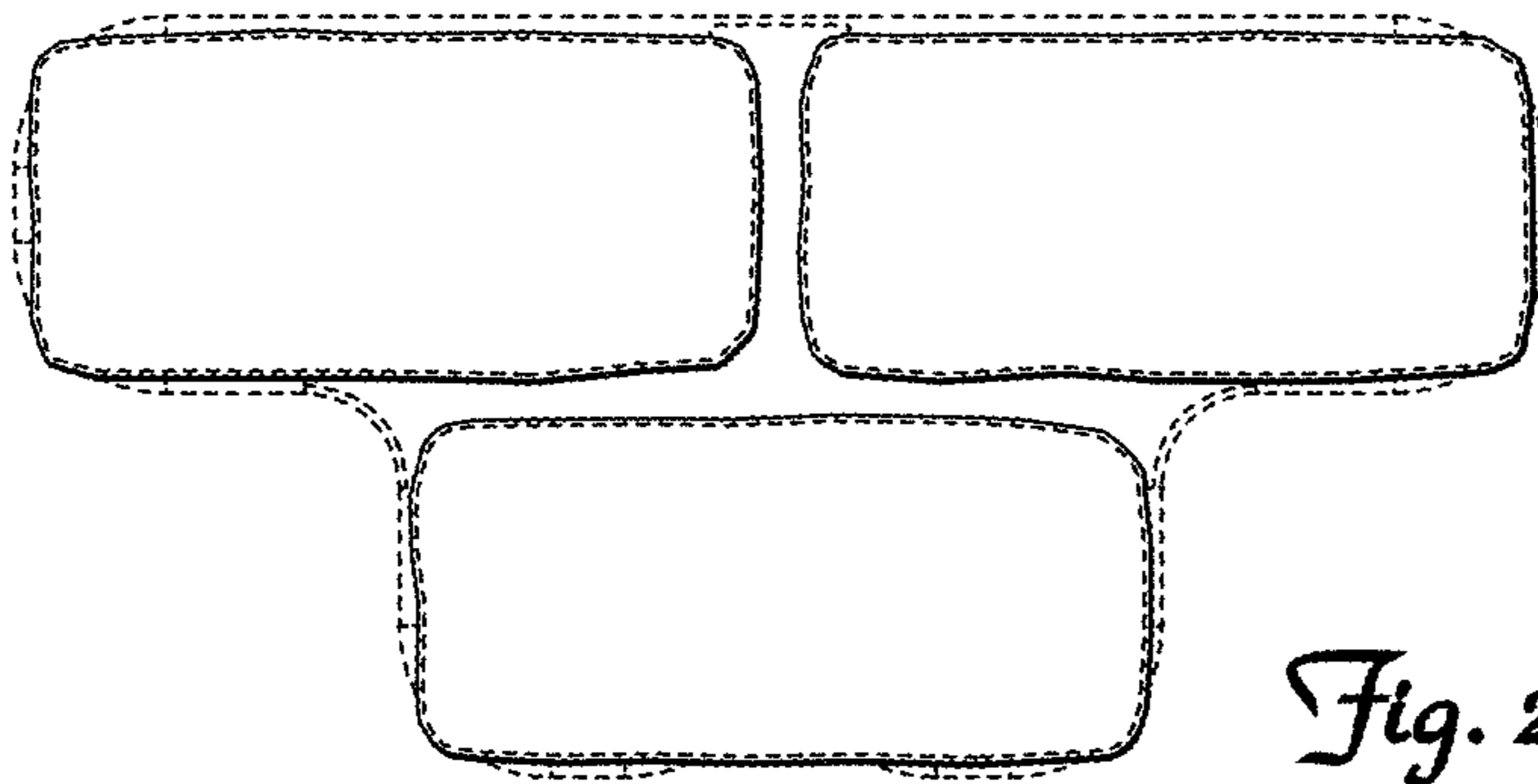
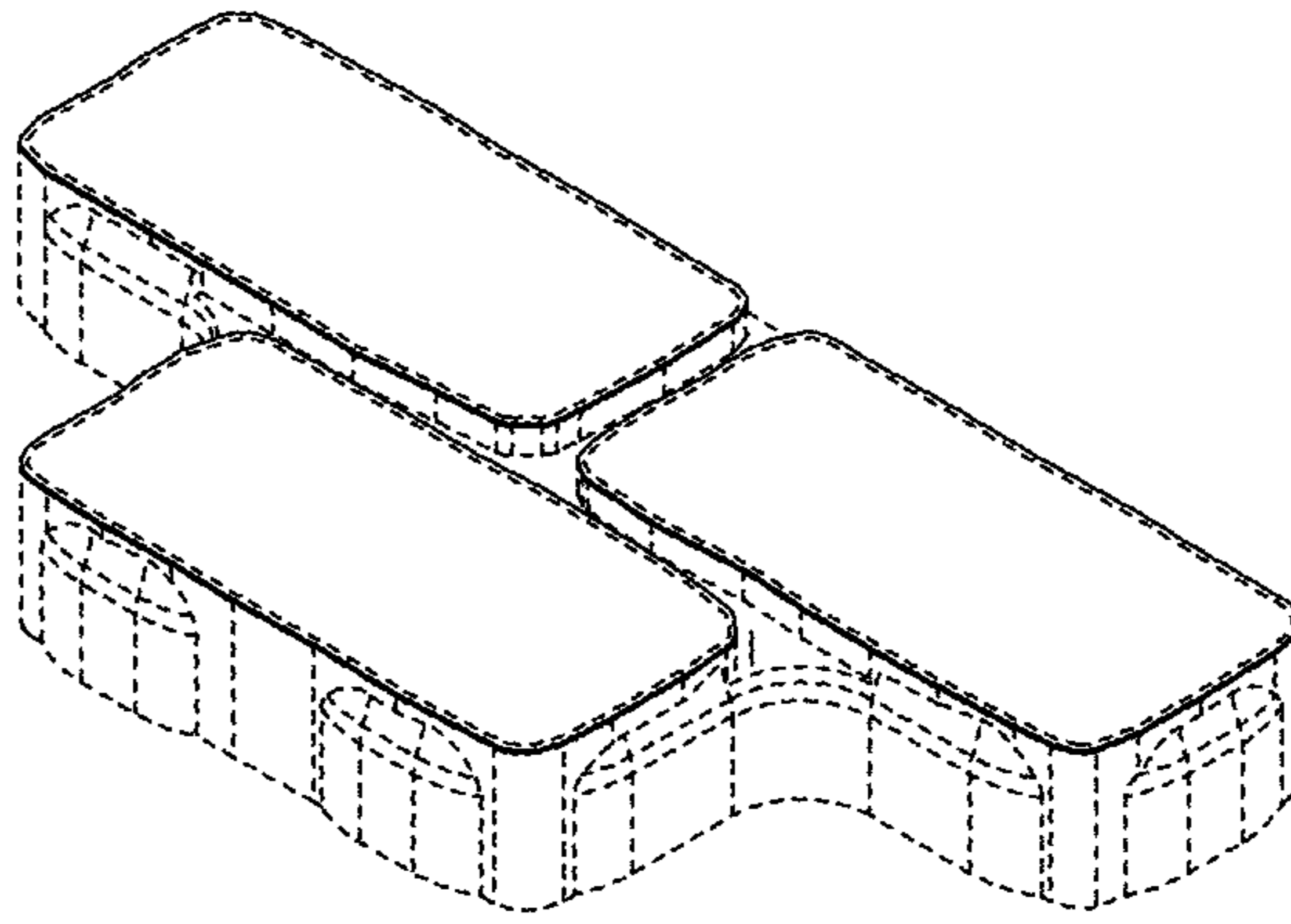


Fig. 2

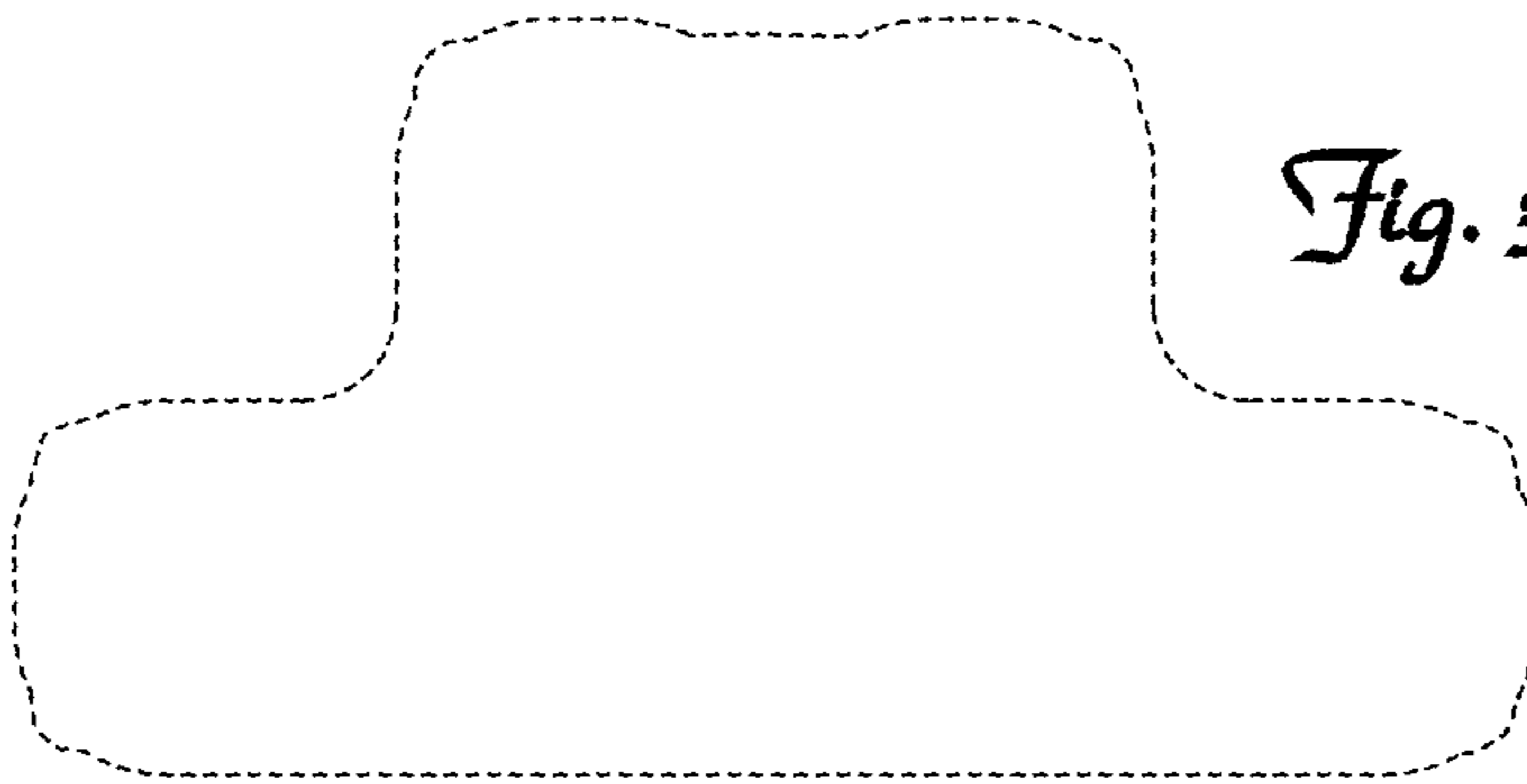


Fig. 3



Fig. 4



Fig. 6

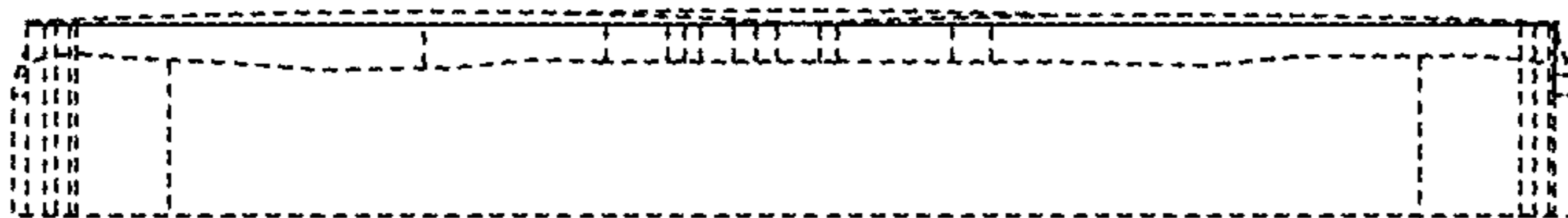


Fig. 5

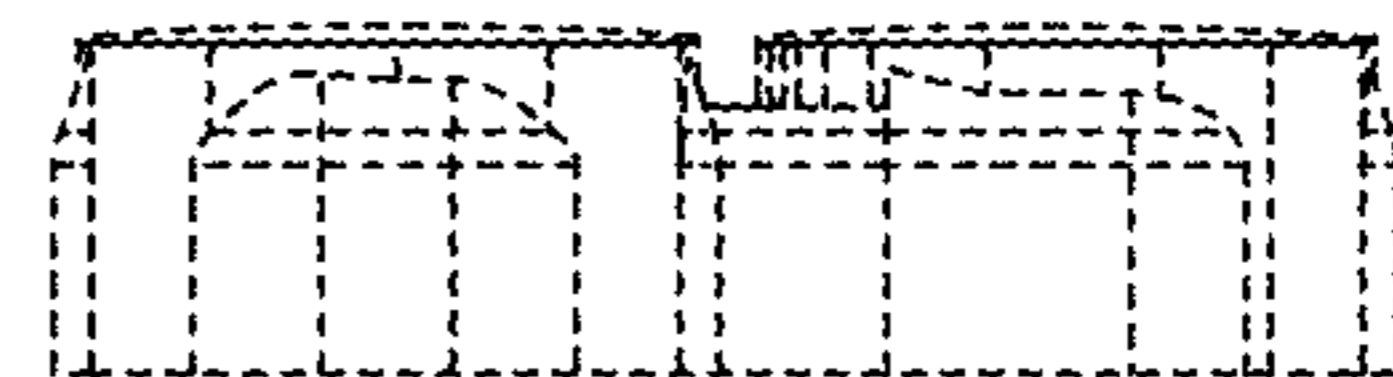


Fig. 7

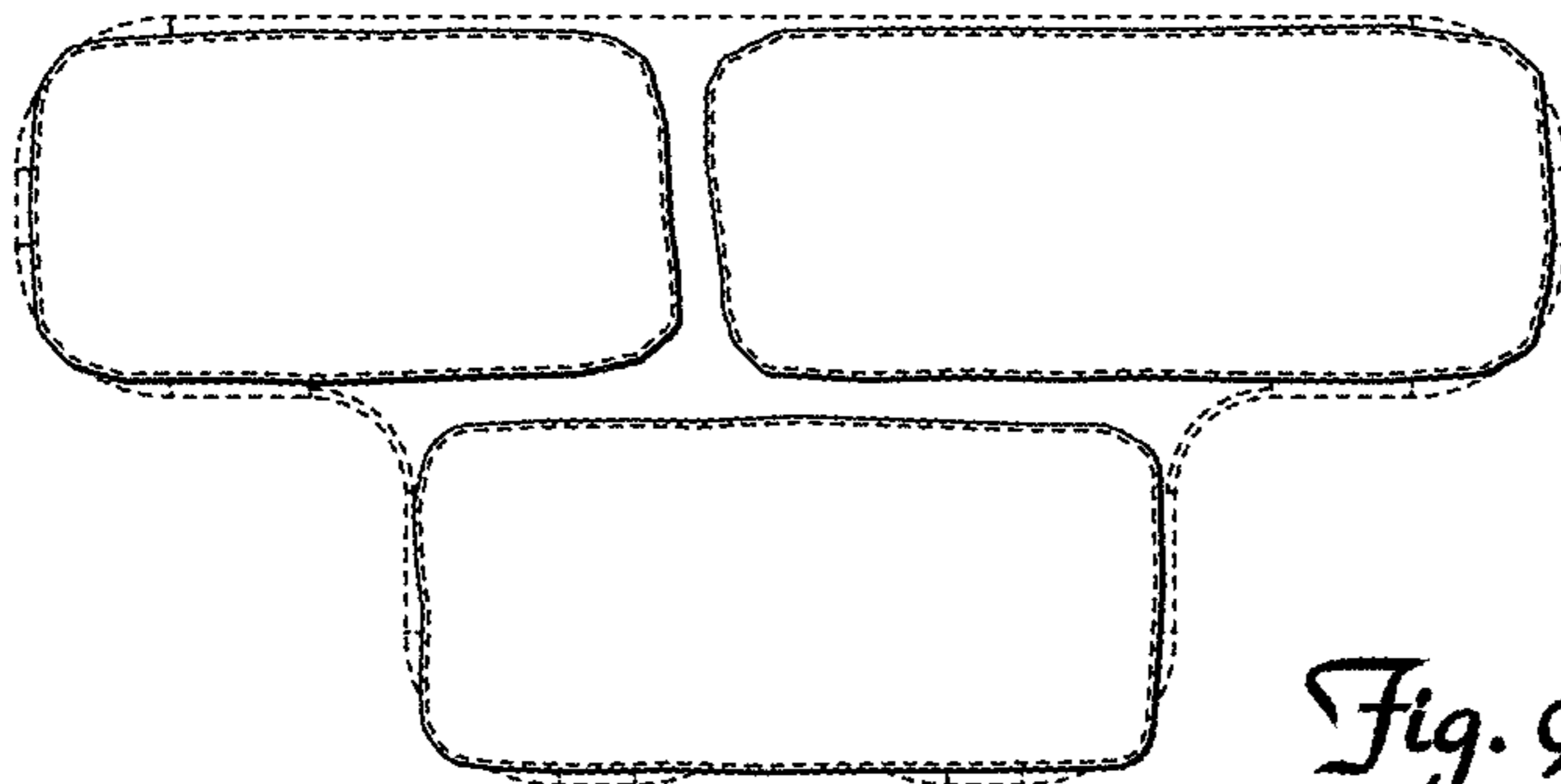
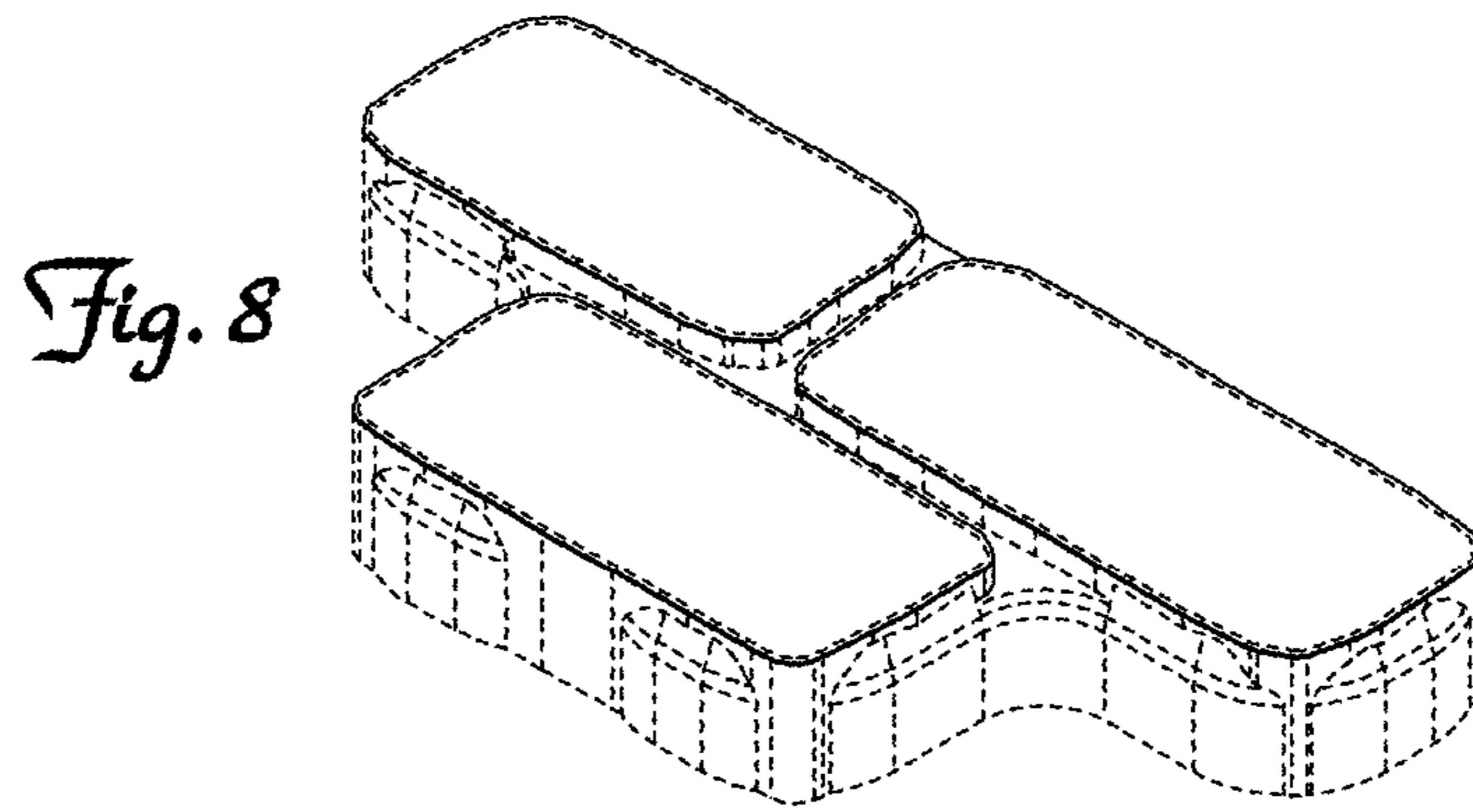


Fig. 9

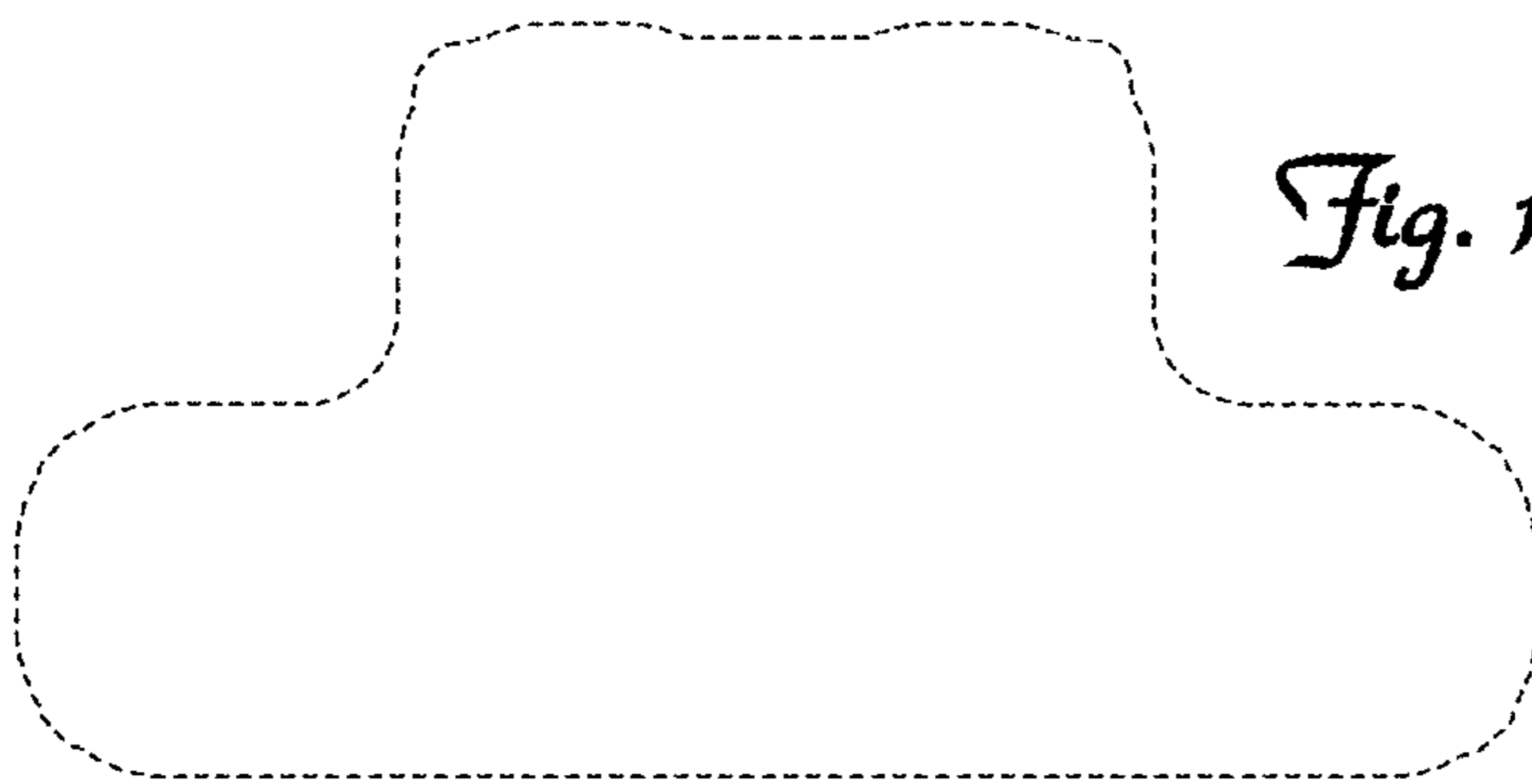


Fig. 10



Fig. 11

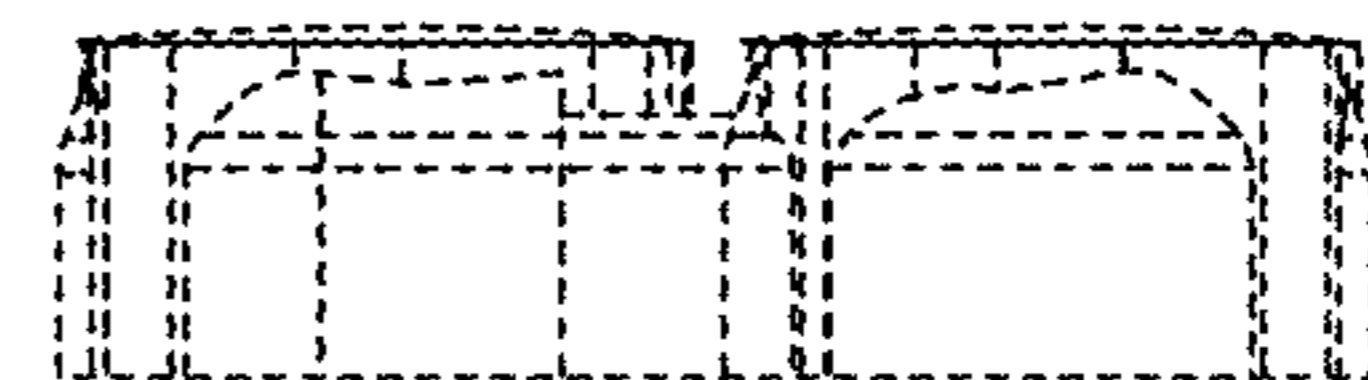


Fig. 13

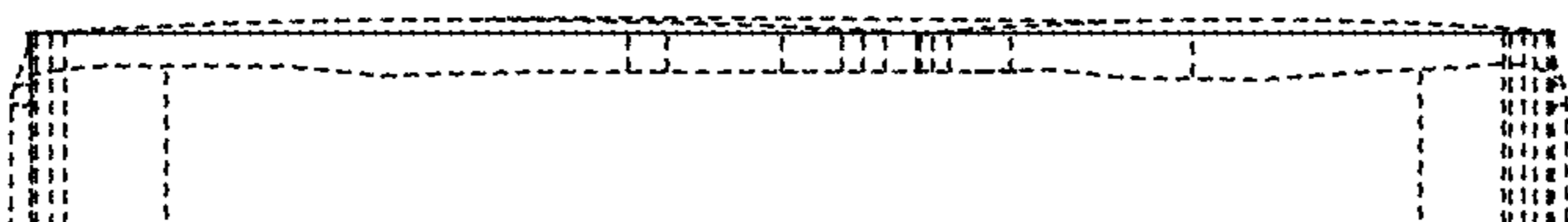


Fig. 12



Fig. 14

Fig. 15

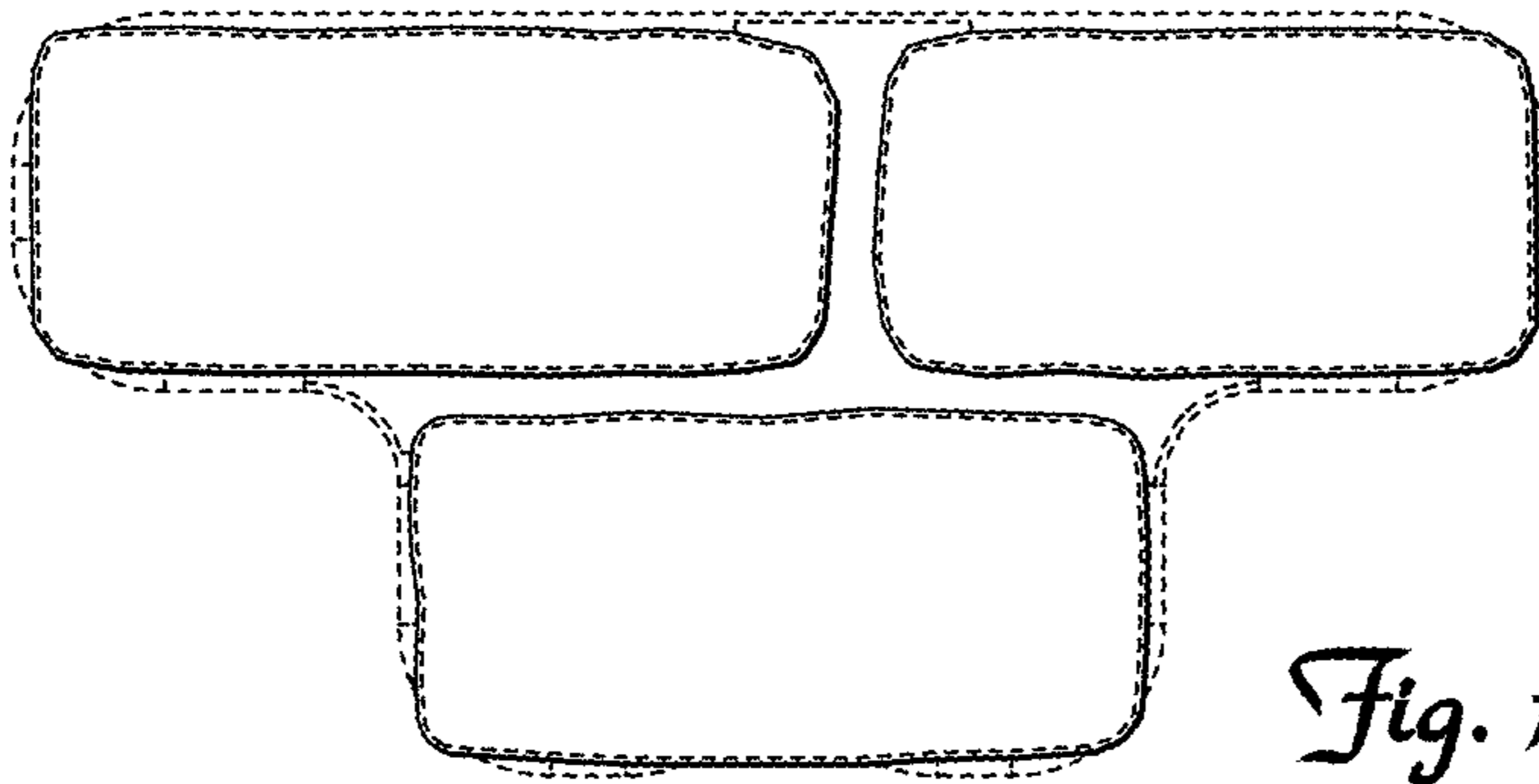
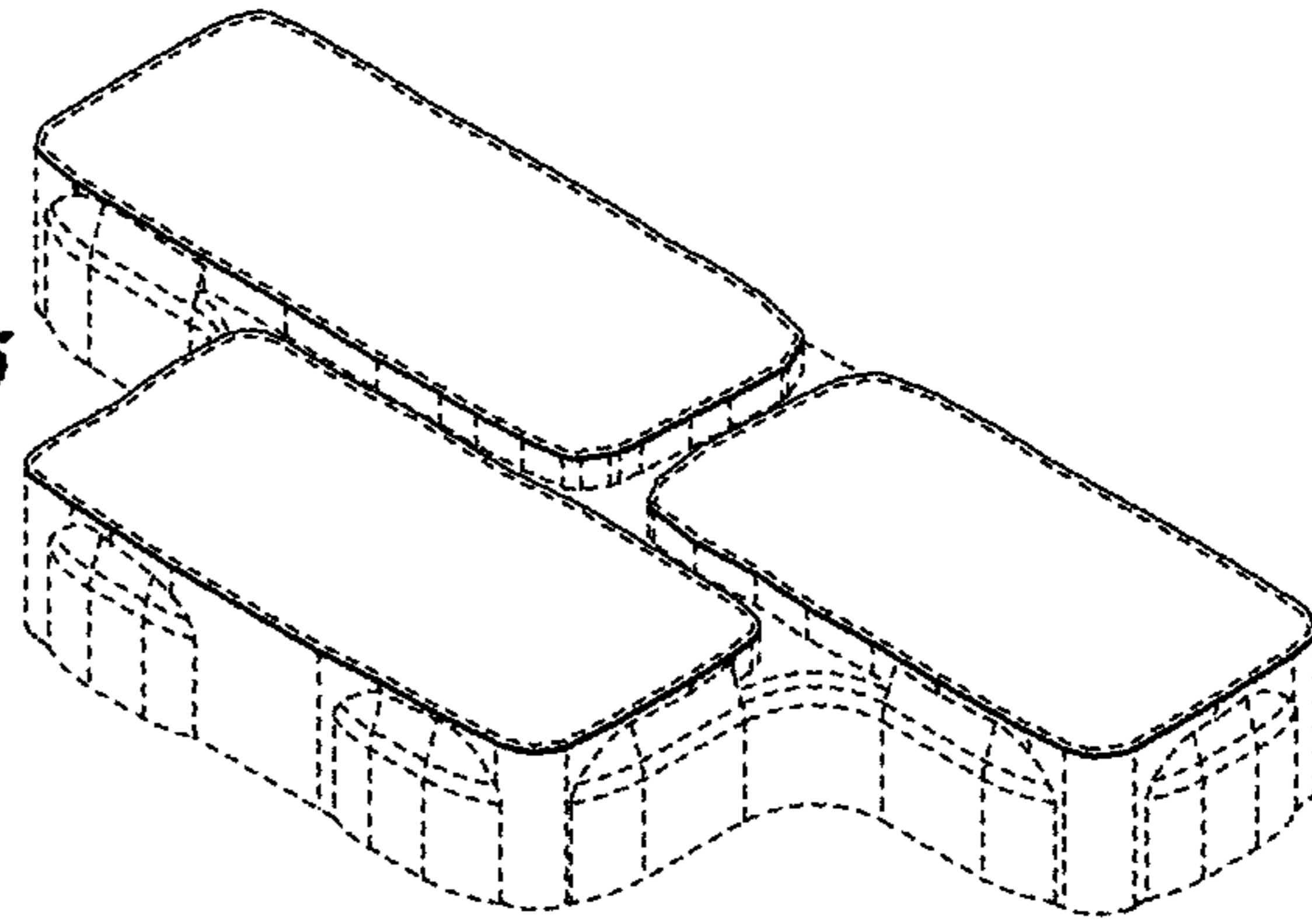


Fig. 16

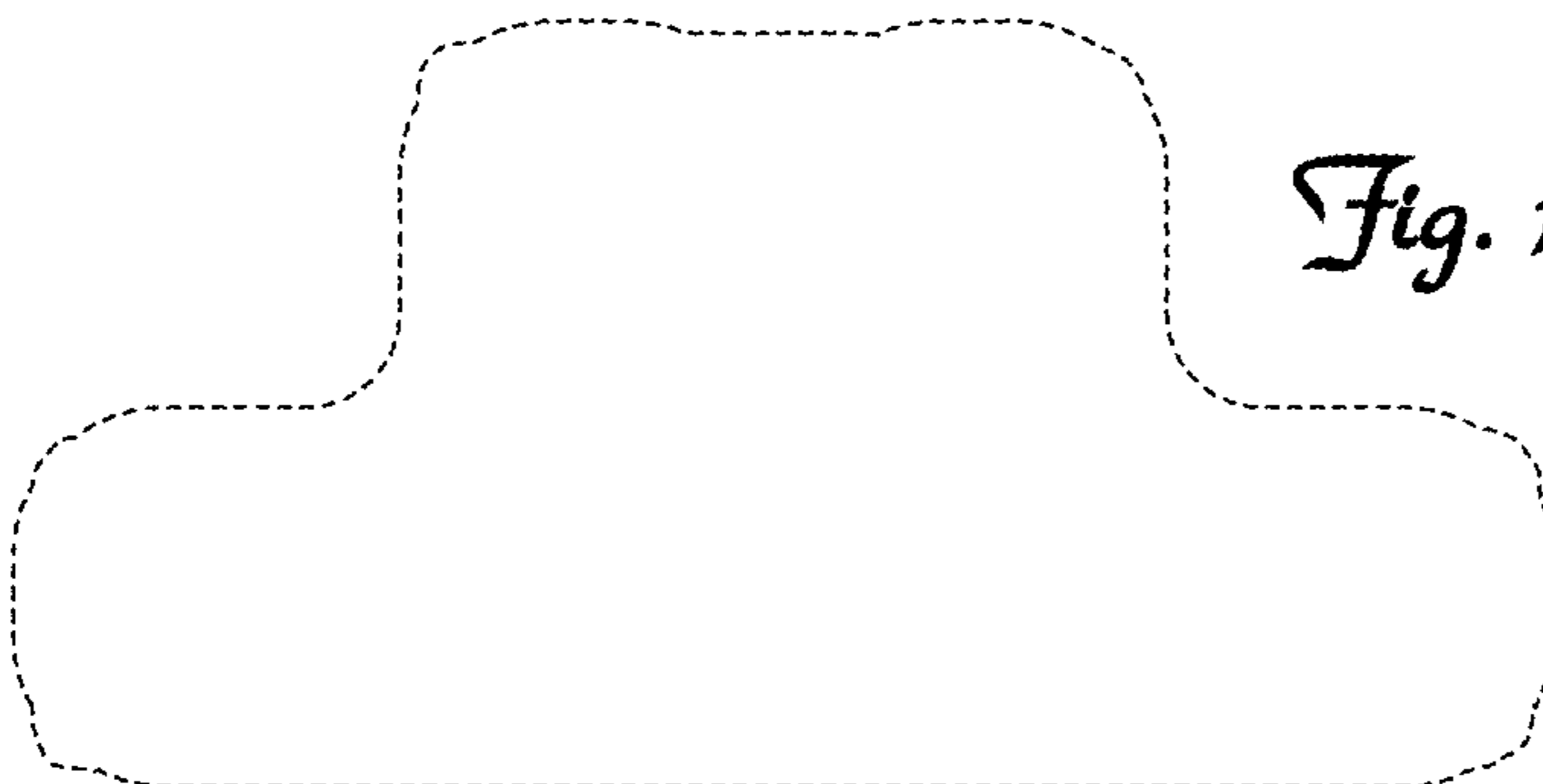


Fig. 17

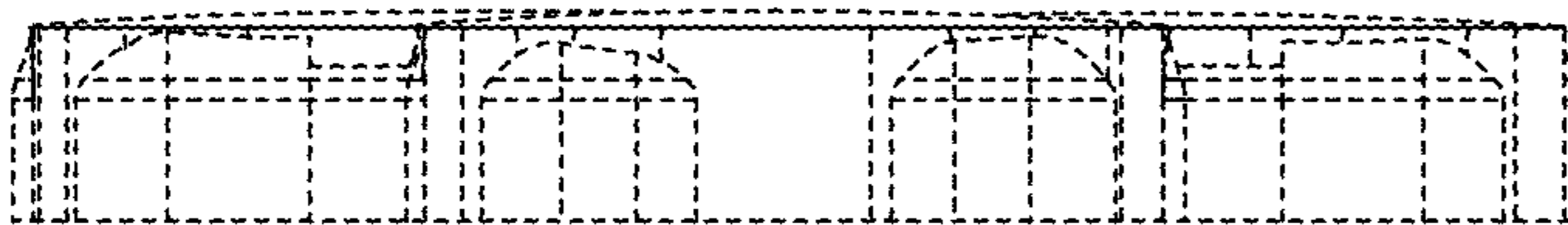


Fig. 18

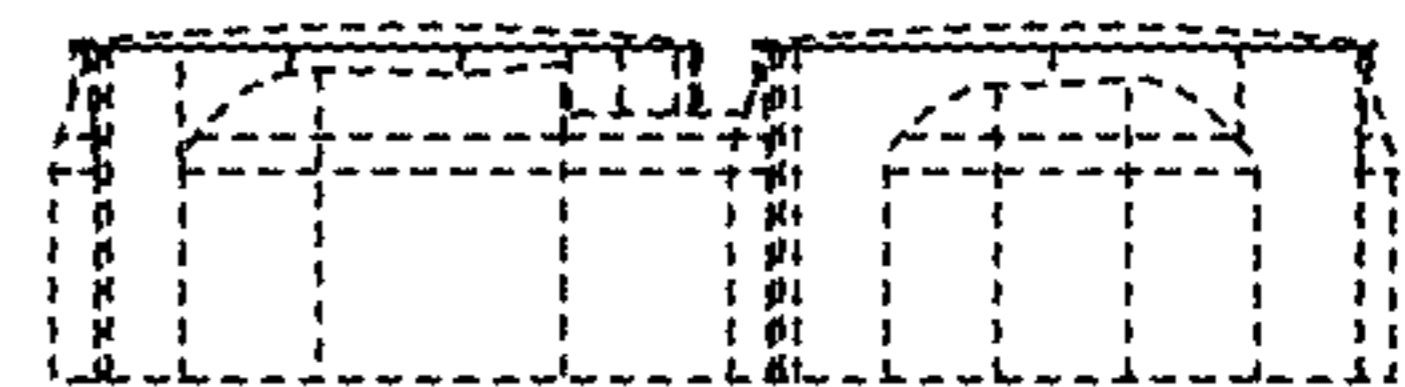


Fig. 20

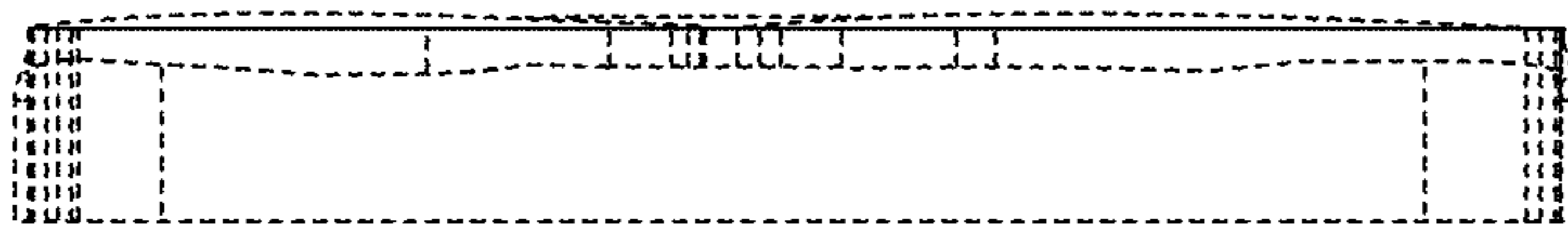


Fig. 19

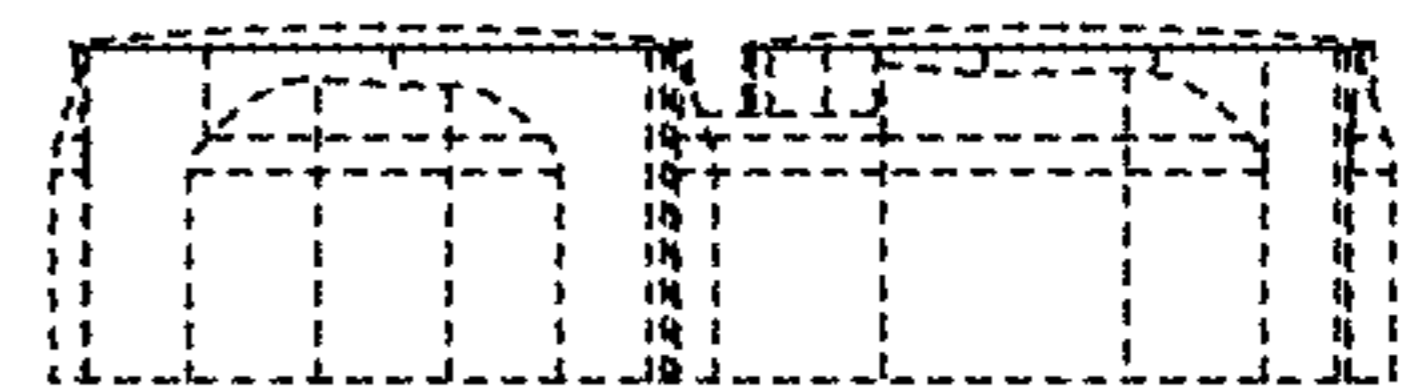


Fig. 21