



US00D775369S

(12) **United States Design Patent**
Lin et al.

(10) **Patent No.:** **US D775,369 S**
(45) **Date of Patent:** **** Dec. 27, 2016**

(54) **AWNING**
(71) Applicant: **ZHEJIANG ZHENGTE CO., LTD.**,
Linhai, Zhejiang (CN)
(72) Inventors: **Cong Lin**, Linhai (CN); **Xiaobo Wang**,
Linhai (CN)

D415,572 S * 10/1999 Goldwitz D25/56
D565,197 S * 3/2008 Tung D25/56
D605,308 S * 12/2009 Combs D21/837
D622,412 S * 8/2010 McCarthy D25/56
2011/0108076 A1* 5/2011 Connot E04H 15/06
135/88.05
2016/0010321 A1* 1/2016 Lavery E04H 1/1205
52/656.9

(73) Assignee: **Zhejiang Zhengte Co., Ltd.**, Linhai
(CN)

FOREIGN PATENT DOCUMENTS

(**) Term: **15 Years**

EM 002666636-0001 * 4/2015
EM 002700328-0001 * 5/2015

(21) Appl. No.: **29/539,010**

* cited by examiner

(22) Filed: **Sep. 10, 2015**

Primary Examiner — Susan Bennett Hattan
Assistant Examiner — Leanne Was

(30) **Foreign Application Priority Data**

Apr. 10, 2015 (CN) 2015 3 0092669

(51) **LOC (10) Cl.** **25-03**

(52) **U.S. Cl.**
USPC **D25/57**

(58) **Field of Classification Search**
USPC D25/56, 57; 52/23, 36.2; 135/87, 88.05,
135/88.09, 88.1, 98, 99, 115, 117, 121,
135/128, 135, 904-908; 160/19, 22,
160/24-26, 29, 38, 46
See application file for complete search history.

(57) **CLAIM**

The ornamental design for an awning, as shown and described.

(56) **References Cited**

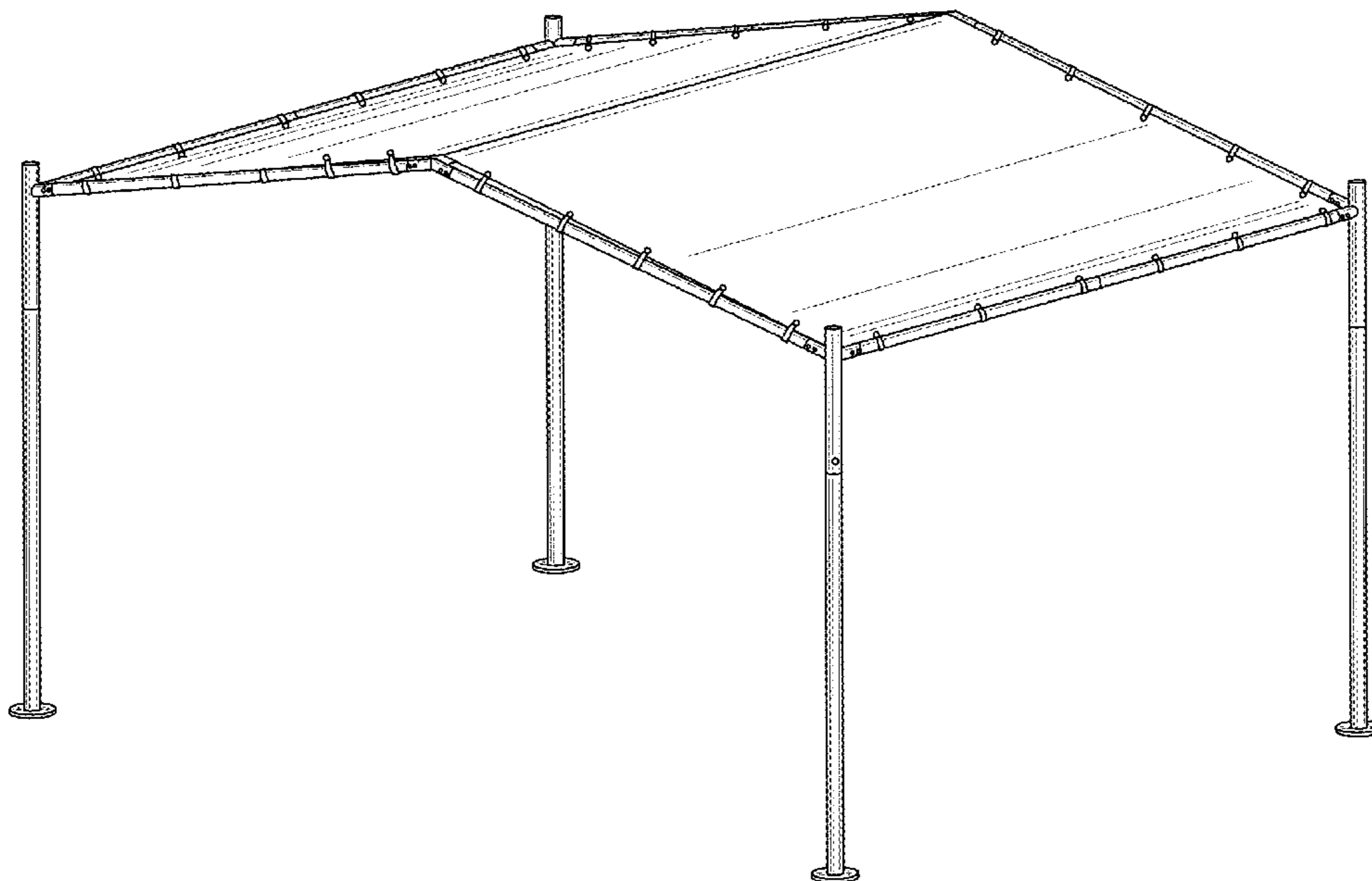
U.S. PATENT DOCUMENTS

5,730,281 A * 3/1998 Powell B65D 5/5028
135/136
D409,762 S * 5/1999 Blessing D25/56

DESCRIPTION

FIG. 1 is a front perspective view of an awning showing our new design;
FIG. 2 is a right side view thereof, the left side view being identical thereto;
FIG. 3 is a front elevation view thereof, the rear elevation view being identical thereto; and,
FIG. 4 is a top plan view thereof.

1 Claim, 4 Drawing Sheets



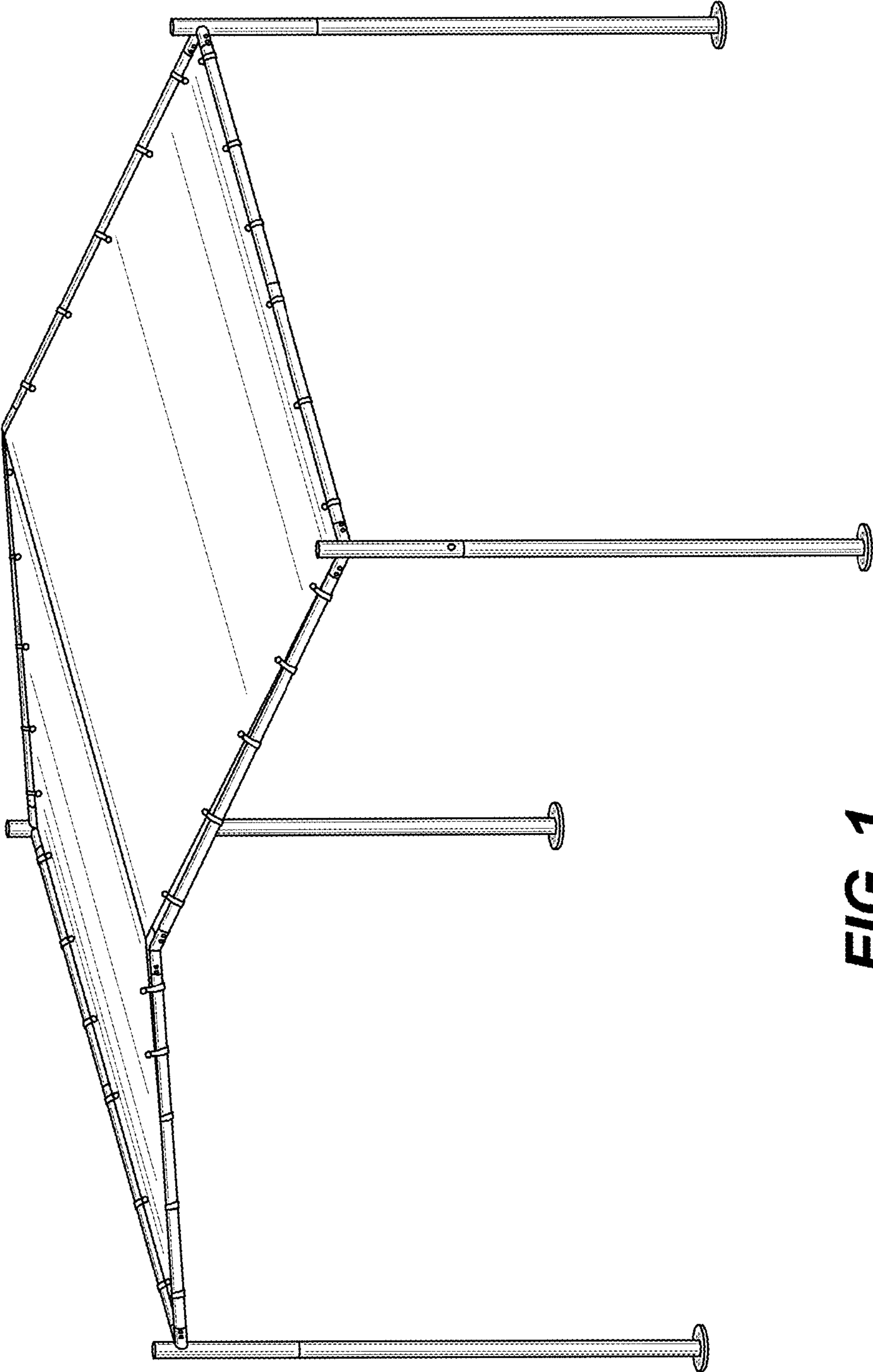


FIG. 1

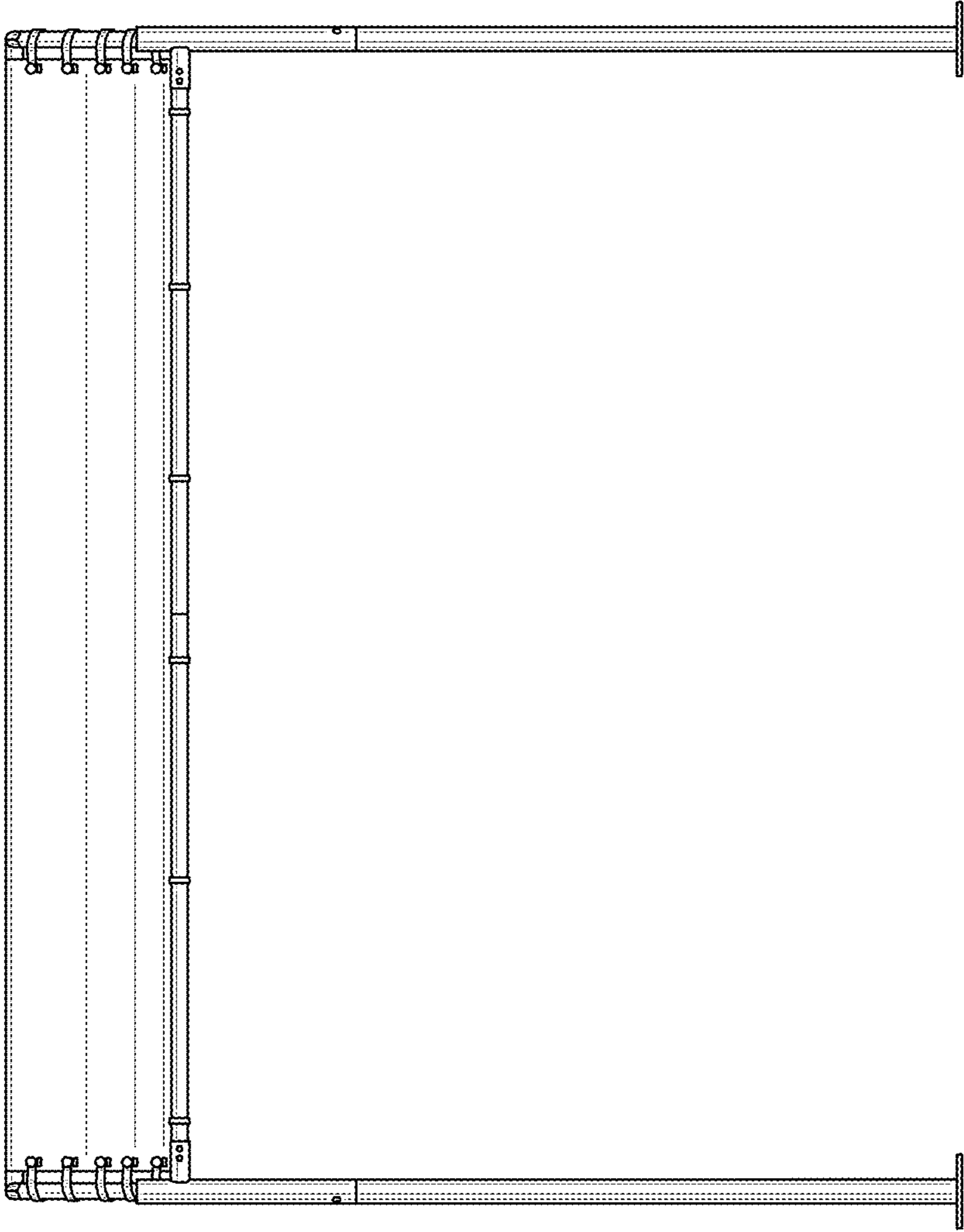


FIG. 2

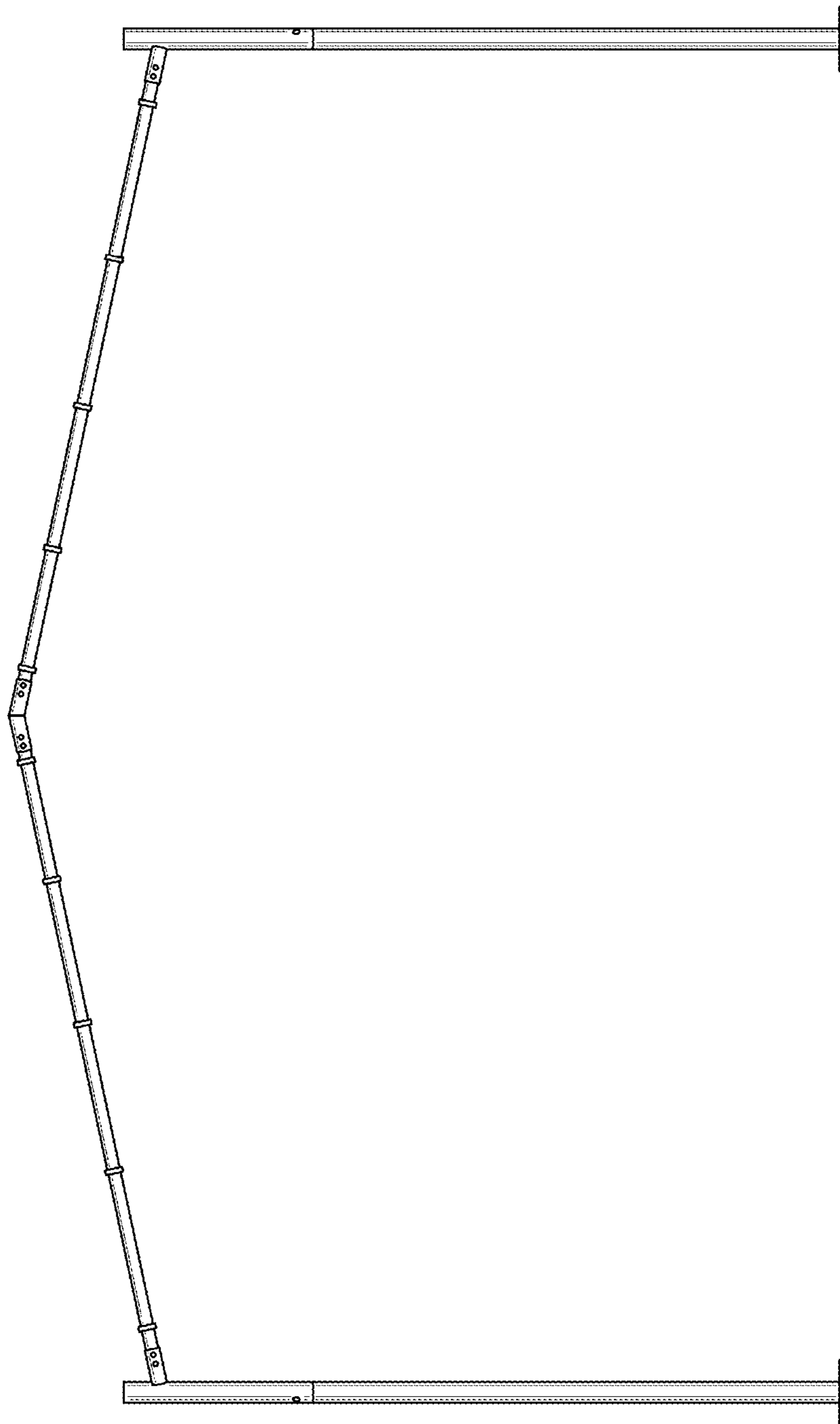


FIG. 3

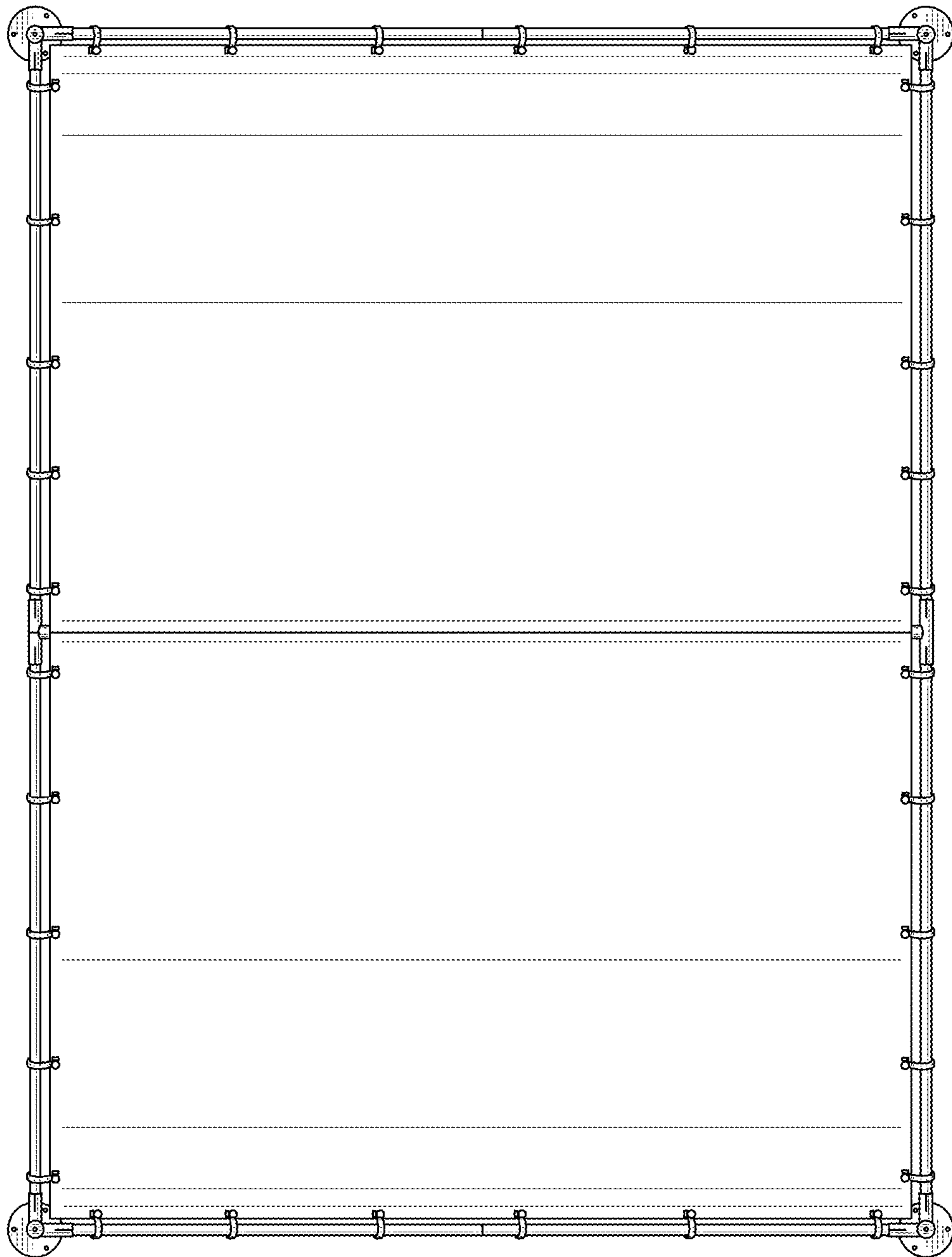


FIG. 4