



US00D775367S

(12) **United States Design Patent** (10) **Patent No.:** **US D775,367 S**
Mitchell et al. (45) **Date of Patent:** **** Dec. 27, 2016**

(54) **DOOR SWEEP** 5,056,263 A 10/1991 Bies
5,174,065 A * 12/1992 Schlicht E06B 7/2312
49/470
(71) Applicant: **Endura Products, Inc.**, Colfax, NC (US) 5,214,880 A 6/1993 Woodruff et al.
5,475,946 A 12/1995 Howe
5,887,392 A 3/1999 Martin
(72) Inventors: **Mike Mitchell**, Winston-Salem, NC (US); **Tomasz Jaskiewicz**,
Winston-Salem, NC (US) 6,052,949 A 4/2000 Procton et al.
6,374,545 B1 4/2002 Baczuk
7,114,293 B2 10/2006 Purlee
7,694,471 B2 4/2010 Meeks et al.
(73) Assignee: **Endura Products, Inc.**, Colfax, NC (US) 8,375,659 B2 2/2013 Bogenhagen et al.
8,522,483 B2 9/2013 Van Camp et al.
8,726,575 B1 5/2014 Vulpitta et al.
8,813,427 B2 8/2014 Meeks
D713,976 S * 9/2014 Van Camp D25/124
(**) Term: **15 Years** (Continued)

(21) Appl. No.: **29/527,554**

(22) Filed: **May 20, 2015**

(51) **LOC (10) Cl.** **25-01**

(52) **U.S. Cl.**
USPC **D25/48.2**

(58) **Field of Classification Search**
USPC D25/48.1-48.4, 48.8, 119, 124, 199;
49/407, 411, 467-471, 475.1, 476.1,
49/484.1, 489.1, 490.1, 495.1, 498.1
CPC E06B 7/22; E06B 7/231; E06B 7/2312;
E06B 7/2314; E06B 7/2316
See application file for complete search history.

(56) **References Cited**

U.S. PATENT DOCUMENTS

1,883,609 A * 10/1932 Dennis F25D 23/087
277/645
2,949,651 A 8/1960 Hill
3,273,287 A 9/1966 Pease, Jr.
3,378,958 A 4/1968 Parks et al.
3,448,543 A 6/1969 Multer
3,690,037 A * 9/1972 Kempel E06B 1/70
16/242
4,034,511 A 7/1977 Bursk
4,114,319 A 9/1978 Governale
4,310,991 A 1/1982 Seely

FOREIGN PATENT DOCUMENTS

CN 3480288 * 10/2005

Primary Examiner — Susan Bennett Hattan

Assistant Examiner — Leanne Was

(74) *Attorney, Agent, or Firm* — Womble Carlyle
Sandridge & Rice, LLP

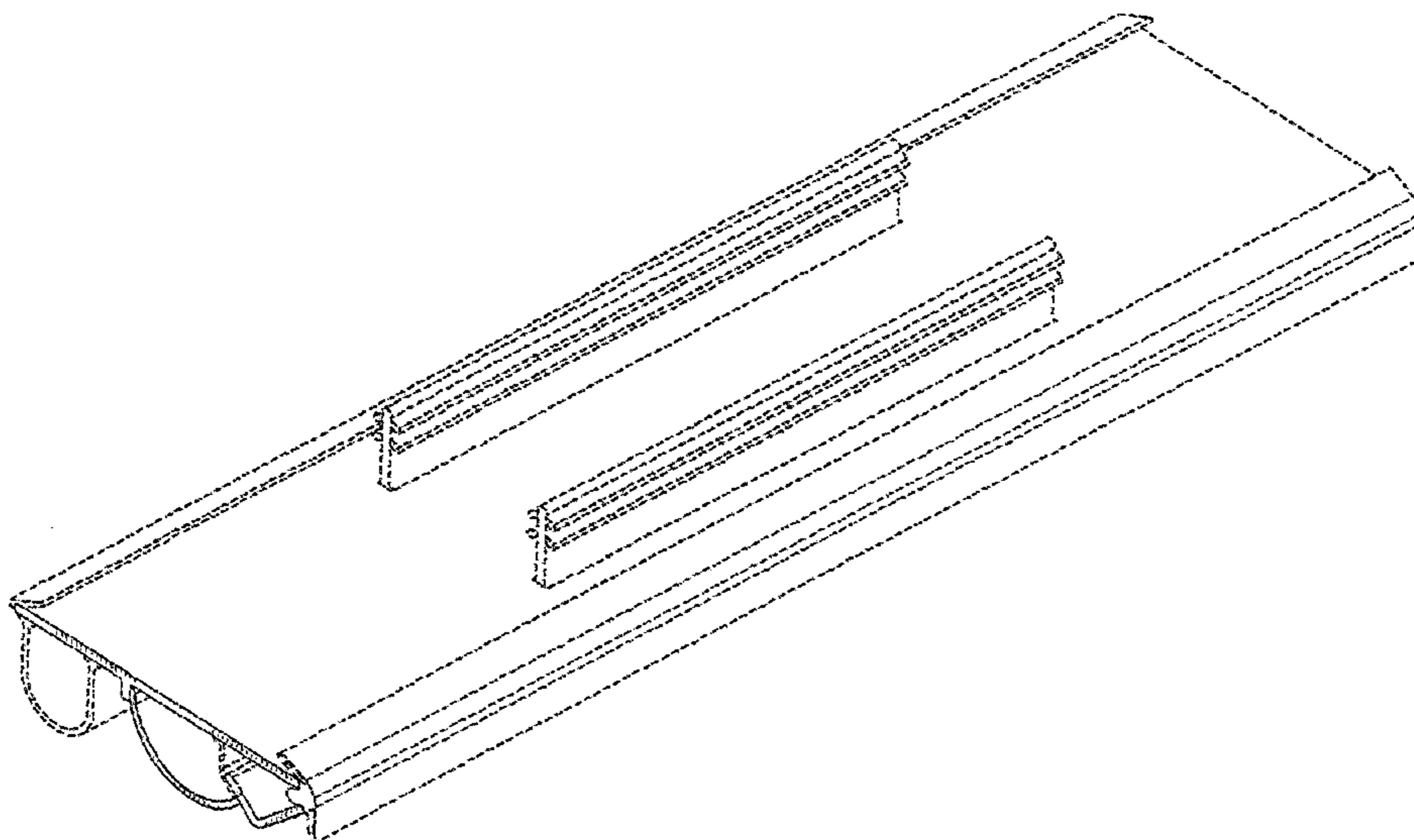
(57) **CLAIM**

The ornamental design for a door sweep, as shown and described.

DESCRIPTION

FIG. 1 is a profile view of our new design; FIG. 2 is a top perspective view thereof; and, FIG. 3 is a bottom perspective view thereof. The views not shown form no part of the claimed design. The dash-dot lines in the figures adjacent to the shaded areas represent unclaimed boundaries of the claimed design. The dash-dash lines in the figures represent unclaimed edges and environmental elements only and form no part of the claimed design.

1 Claim, 3 Drawing Sheets



(56)

References Cited

U.S. PATENT DOCUMENTS

8,875,443	B2 *	11/2014	Siegel	B60R 13/08 296/165
8,991,100	B2	3/2015	Van Camp et al.	
8,991,101	B2	3/2015	Van Camp et al.	
D748,284	S *	1/2016	Boer	D25/48.2
2005/0223647	A1 *	10/2005	Stutzman	E06B 7/22 49/499.1
2007/0261312	A1	11/2007	Kuppler	
2012/0079771	A1	4/2012	Meulemans	
2013/0199100	A1	8/2013	Van Camp et al.	
2013/0276376	A1	10/2013	Gilbert et al.	

* cited by examiner

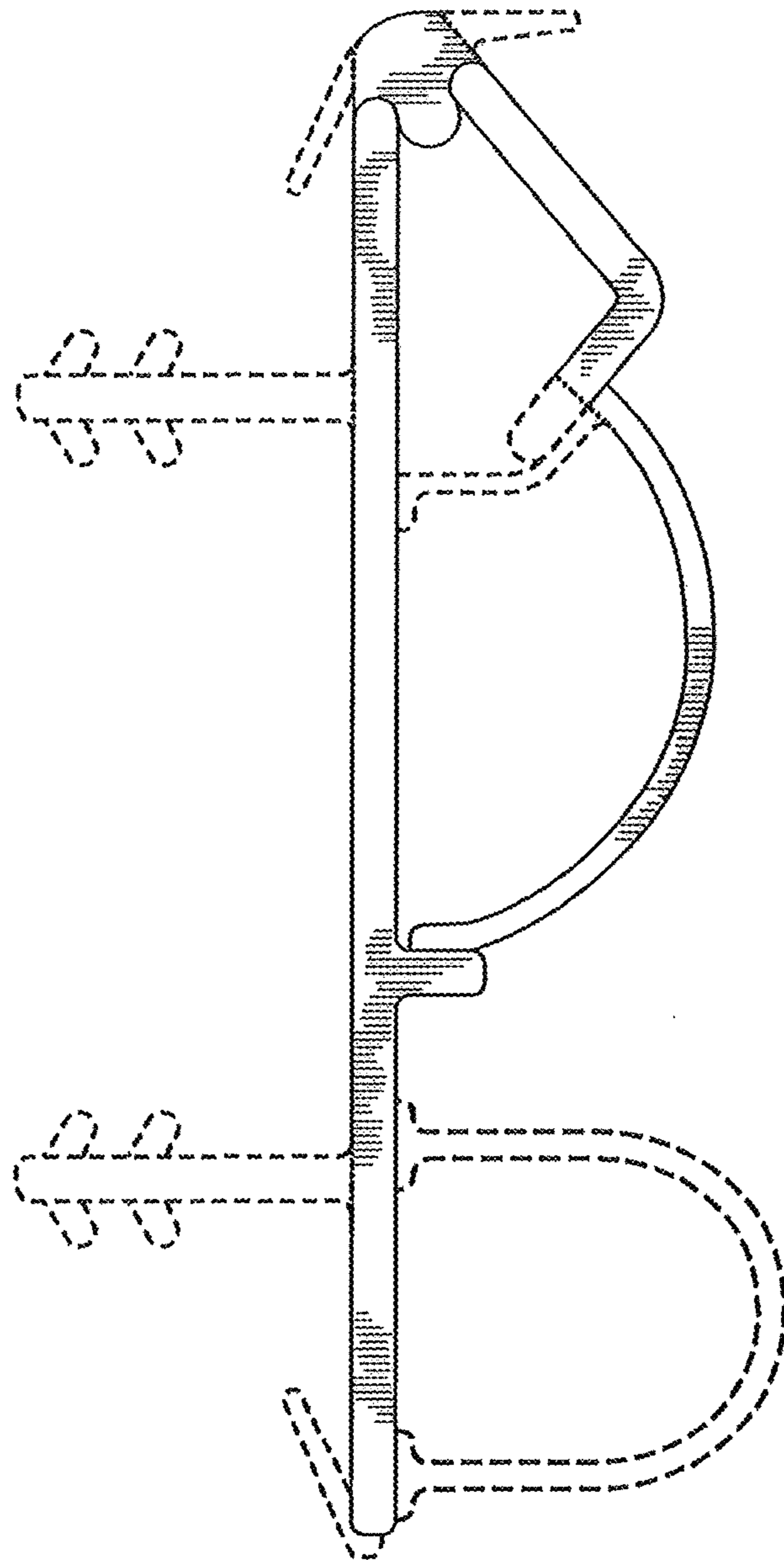


FIG. 1

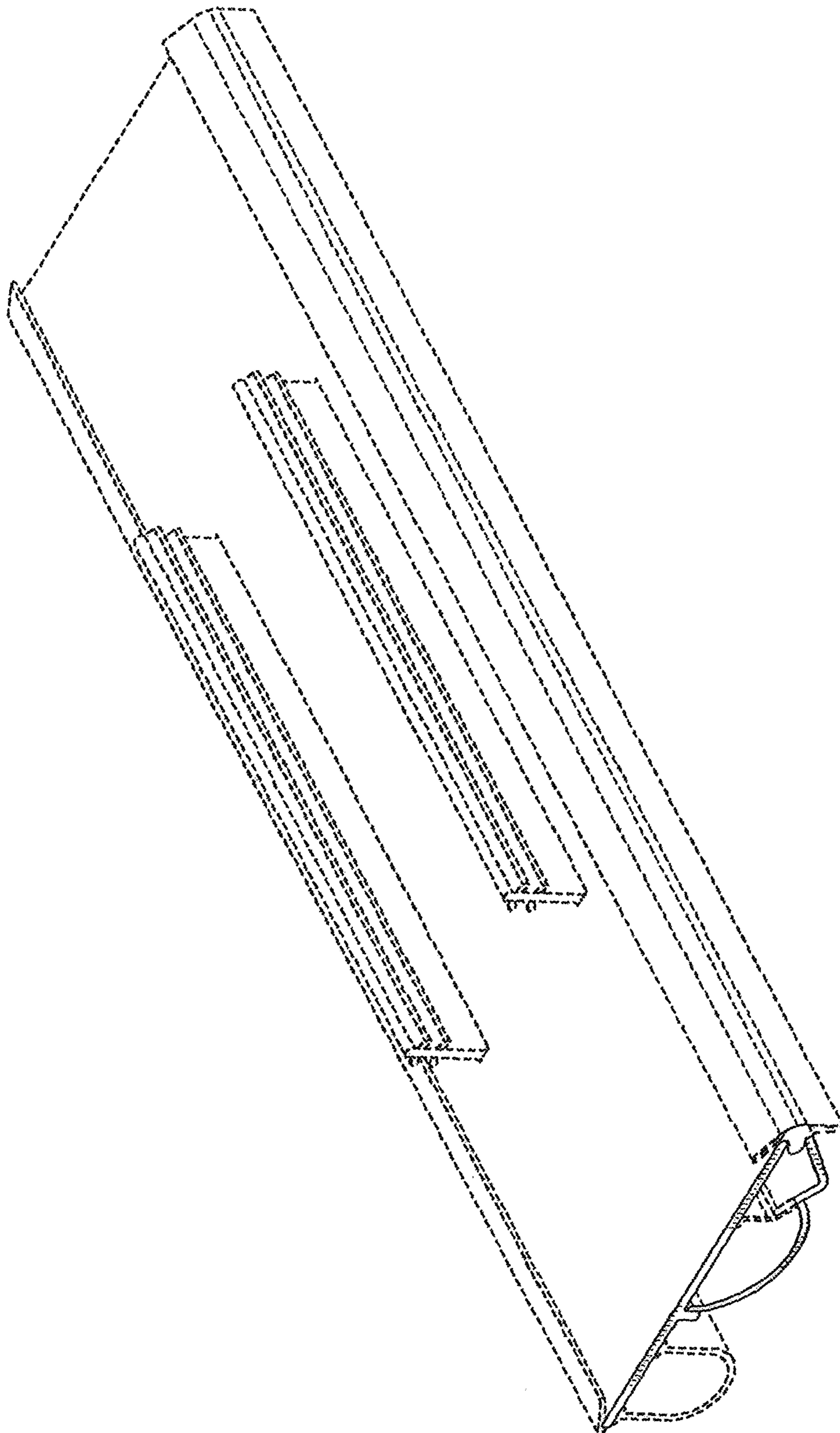


FIG. 2

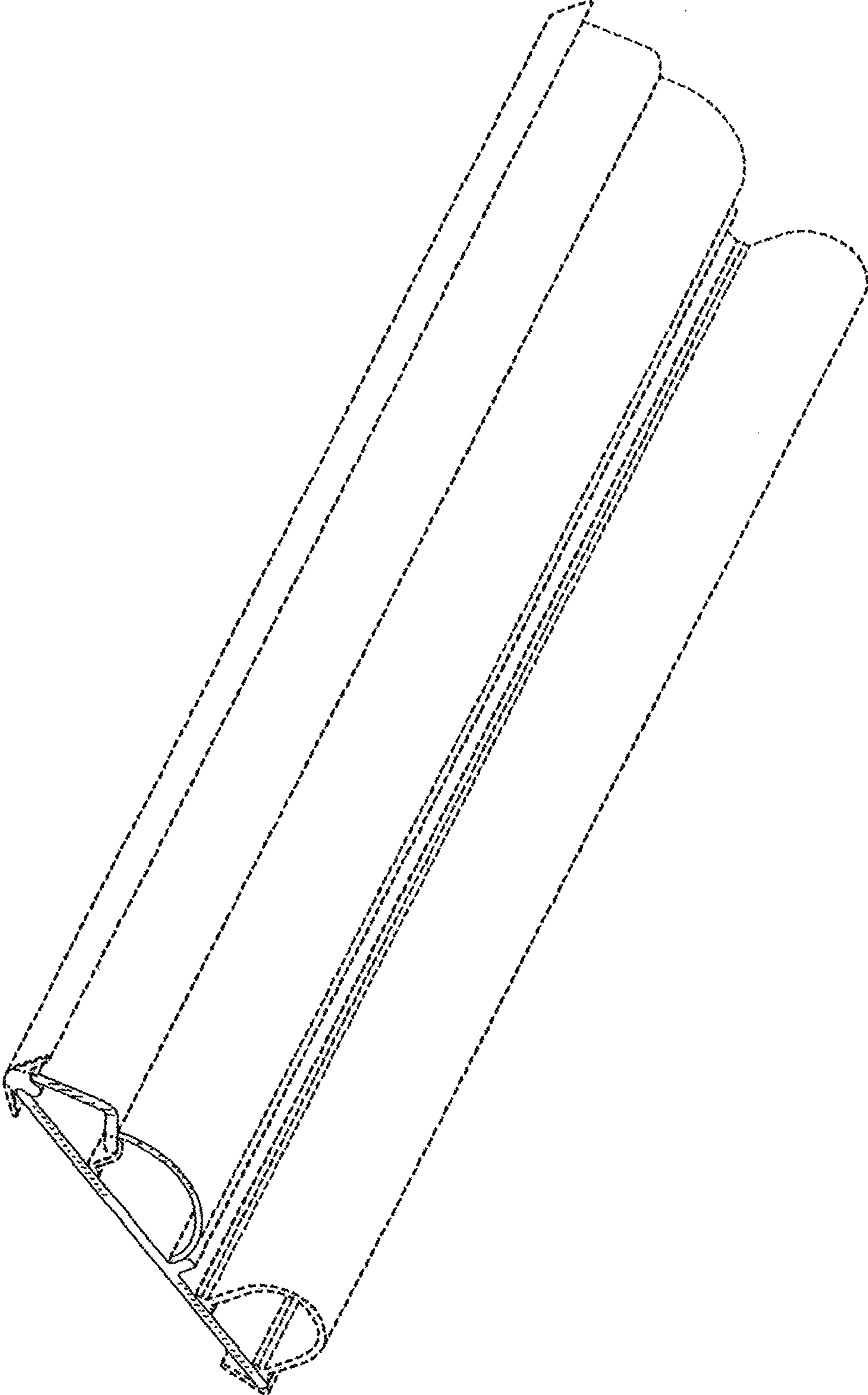


FIG. 3