



US00D775364S

(12) **United States Design Patent** (10) **Patent No.:** **US D775,364 S**
Ray et al. (45) **Date of Patent:** **** Dec. 27, 2016**

(54) **BLENDER**
(71) Applicant: **SEWARD LIMITED**, West Sussex (GB)
(72) Inventors: **Stuart Ray**, West Sussex (GB); **Geoffrey Matthews**, West Sussex (GB); **John Patrick**, West Sussex (GB)
(73) Assignee: **SEWARD LIMITED**, West Sussex (GB)

D674,110 S * 1/2013 Becher et al. D24/216
D680,581 S * 4/2013 Nakata et al. D18/50
8,459,129 B2 6/2013 Seznec
D685,413 S * 7/2013 Jihoon et al. D18/50
D694,319 S * 11/2013 Nakagawa D18/50
D696,717 S * 12/2013 Kim et al. D18/55
2004/0027916 A1 2/2004 Lafond et al.
(Continued)

(**) Term: **14 Years**

(21) Appl. No.: **29/453,202**
(22) Filed: **Apr. 26, 2013**

(30) **Foreign Application Priority Data**
Oct. 26, 2012 (EM) 1349401-0001
(51) **LOC (10) Cl.** **24-01**
(52) **U.S. Cl.**
USPC **D24/220**
(58) **Field of Classification Search**
USPC D24/220, 171, 170, 232, 231, 216, 219;
D14/421; D18/53, 50, 55; D28/35, 37, 39,
D28/43, 99; 83/873, 875, 86, 120;
366/96; 422/63, 68.1
CPC B29B 7/085; B29B 3/06; B29B 3/30;
B29B 1/143; B29B 3/003
See application file for complete search history.

(56) **References Cited**
U.S. PATENT DOCUMENTS

D378,782 S * 4/1997 LaBarbera et al. D24/232
D467,349 S * 12/2002 Niedbala et al. D24/232
D490,531 S * 5/2004 Feldman D24/216
D535,325 S * 1/2007 Yamaguchi D18/55
D621,404 S * 8/2010 Sugitani et al. D14/421
D645,899 S * 9/2011 Nagano et al. D18/55

FOREIGN PATENT DOCUMENTS

EP 1707939 A3 4/2006
ES 2374906 9/2011
(Continued)

OTHER PUBLICATIONS

Search Report dated Jan. 28, 2013, in connection with Great Britain Application No. 1217488.4.

Primary Examiner — Ian Simmons
Assistant Examiner — Rhea Shields
(74) *Attorney, Agent, or Firm* — Heslin Rothenberg Farley & Mesiti P.C.; Victor A. Cardona, Esq.

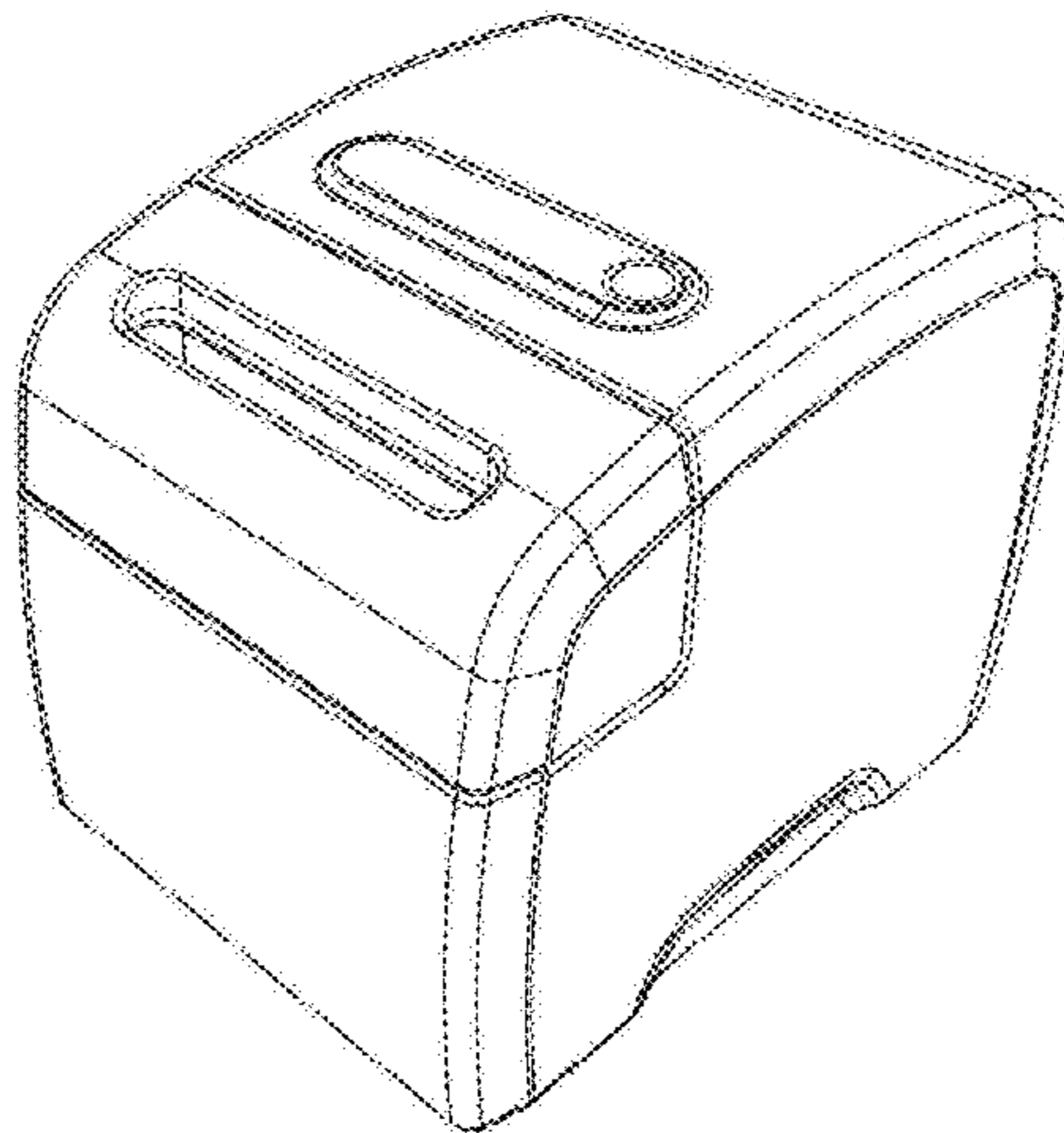
(57) **CLAIM**

The ornamental design for a blender, as shown and described.

DESCRIPTION

FIG. 1 is a front view of a blender, comprising the new design;
FIG. 2 is a rear view thereof;
FIG. 3 is a right side elevation view thereof, which is a mirror image of the left side elevation view thereof;
FIG. 4 is a top right side perspective view thereof; and,
FIG. 5 is a top left side perspective view thereof.
In the drawings, broken lines depict environmental subject matter only and form no part of the claimed design.

1 Claim, 5 Drawing Sheets



(56)

References Cited

U.S. PATENT DOCUMENTS

2014/0092702 A1* 4/2014 Ray et al. 366/96

FOREIGN PATENT DOCUMENTS

FR	2780786	A1	1/2000
FR	2781695	A1	2/2000
WO	WO97/43039		11/1997
WO	00/15328		3/2000
WO	2004/048509	A1	6/2004
WO	2005/084787	A1	9/2005
WO	2008/003689	A1	1/2008
WO	2008/003696	A1	1/2008
WO	2011/138219	A1	11/2011

* cited by examiner

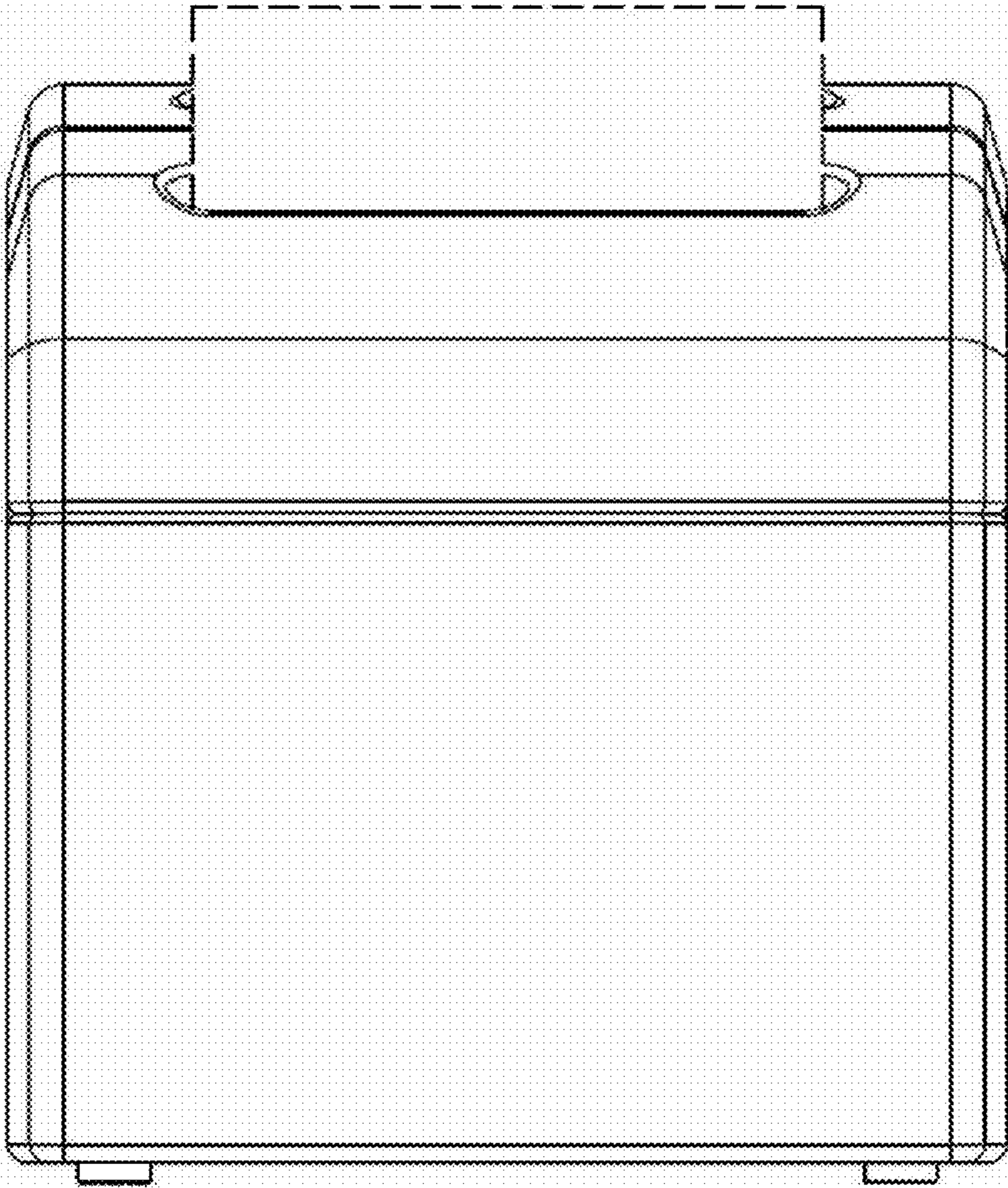


FIG. 1

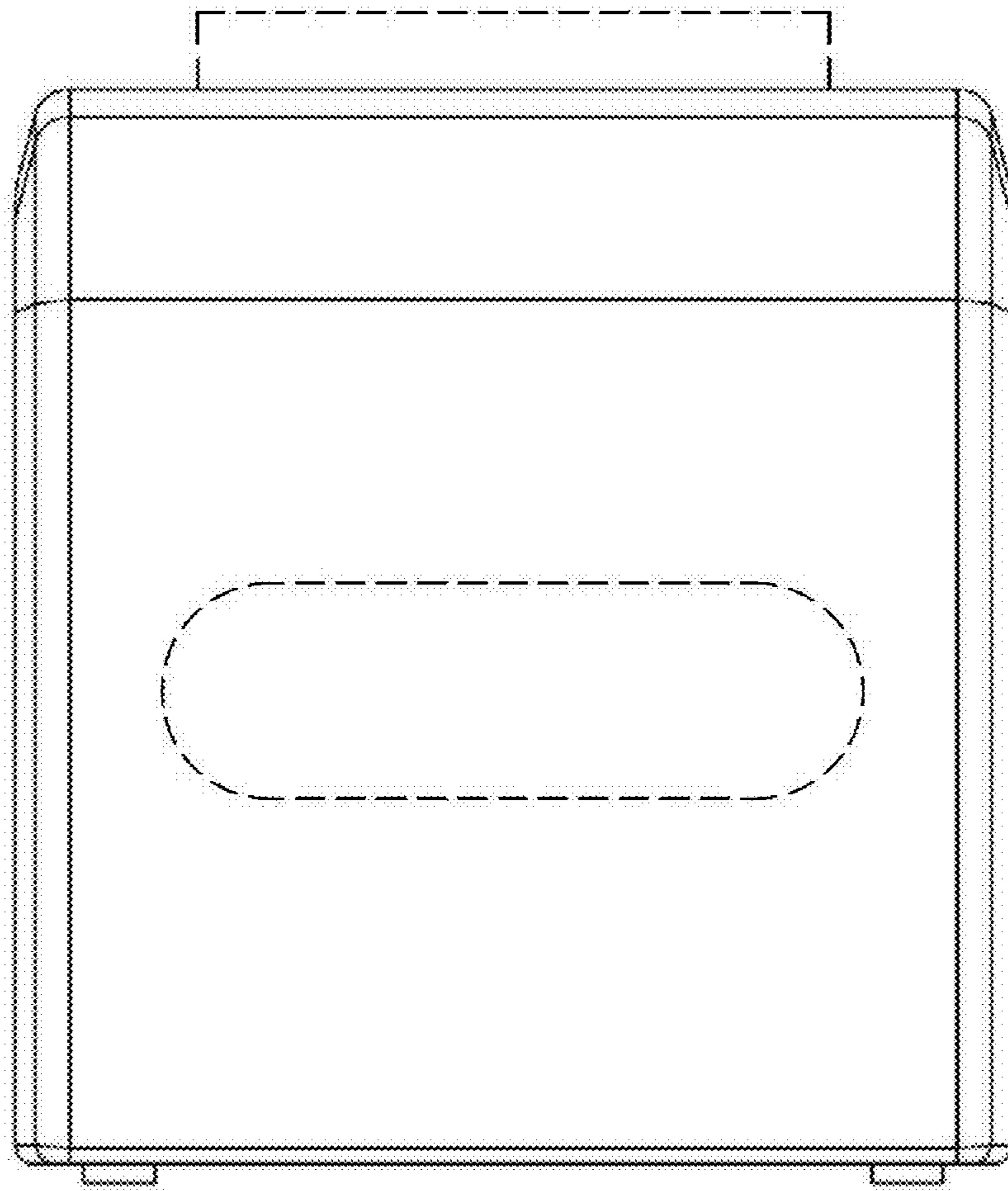


FIG. 2

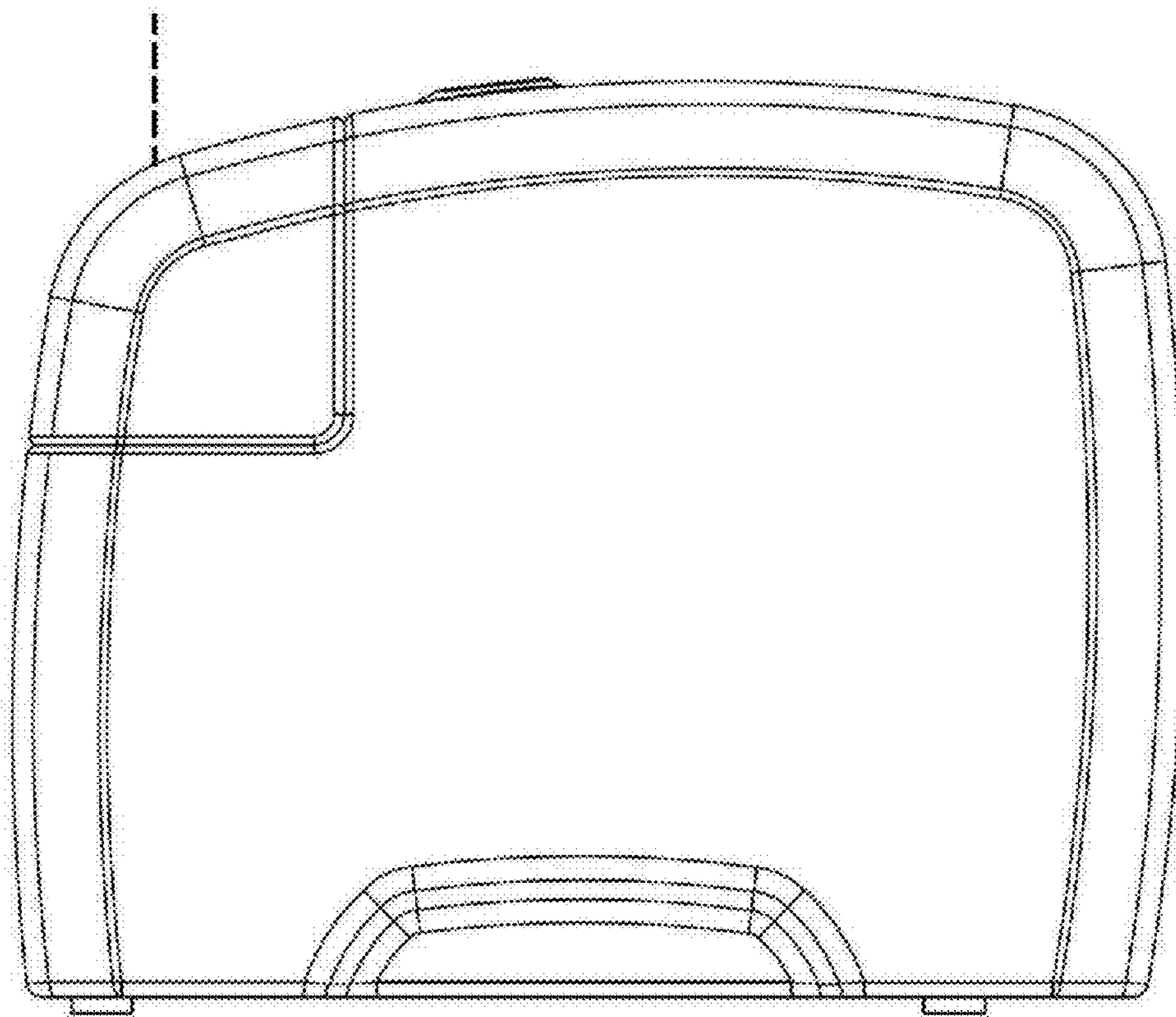


FIG.3

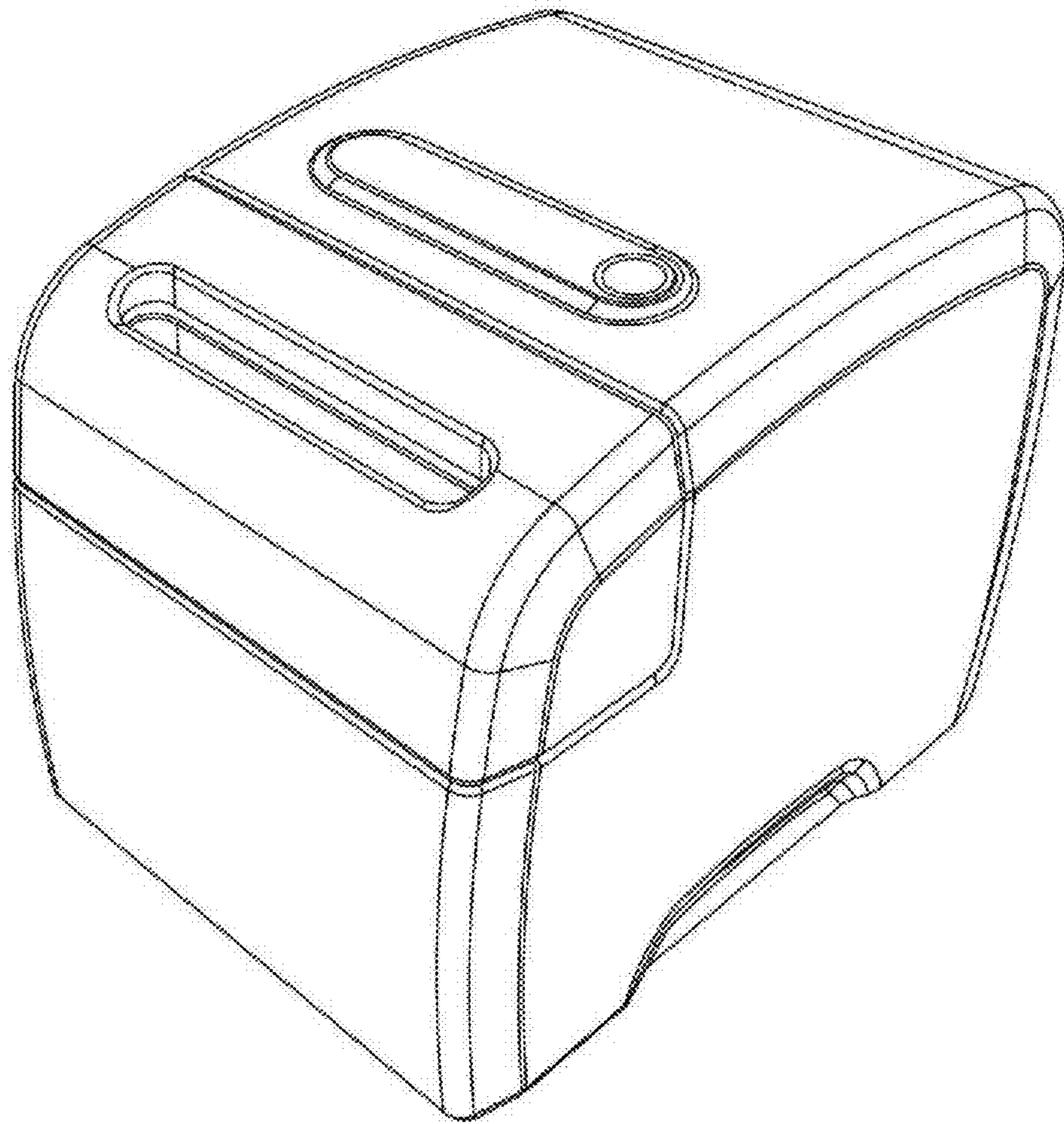


FIG. 4

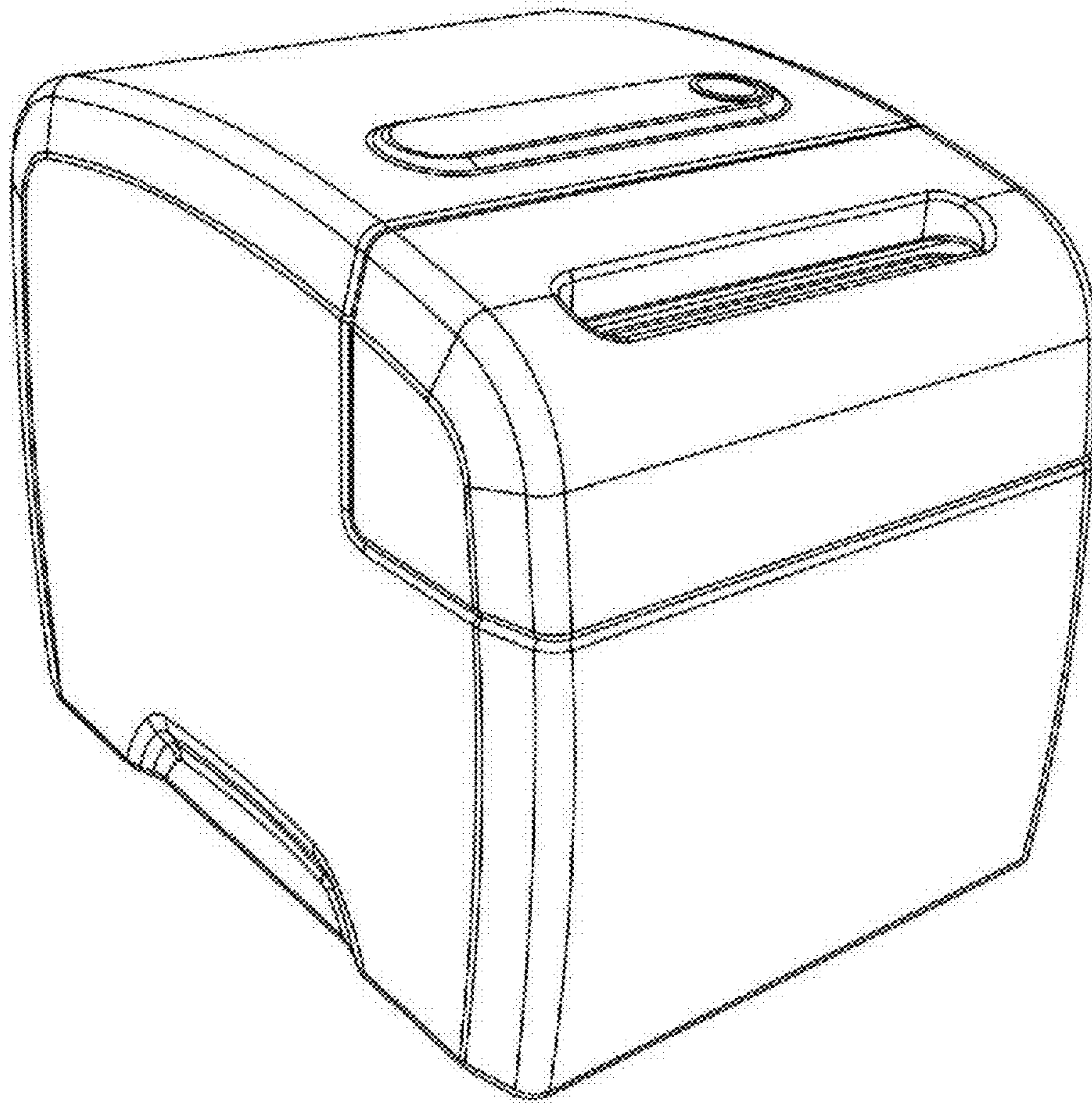


FIG.5