



US00D775363S

(12) **United States Design Patent**
Chang et al.

(10) **Patent No.:** **US D775,363 S**
(45) **Date of Patent:** **** Dec. 27, 2016**

(54) **MOLECULAR DIAGNOSTIC SYSTEM**

(71) Applicant: **CEPHEID**, Sunnyvale, CA (US)

(72) Inventors: **Ronald Chang**, Redwood City, CA (US); **Steven M. Montgomery**, Los Angeles, CA (US); **Gregory E. Mote**, Los Angeles, CA (US)

(73) Assignee: **CEPHEID**, Sunnyvale, CA (US)

(**) Term: **15 Years**

(21) Appl. No.: **29/534,071**

(22) Filed: **Jul. 24, 2015**

(51) **LOC (10) Cl.** **24-01**

(52) **U.S. Cl.**
USPC **D24/216**

(58) **Field of Classification Search**
USPC D24/216-219, 231, 232, 233, 107, 169, D24/186; D10/81
CPC G01N 2035/00306; G01N 2035/00326; G01N 2035/00336; G01N 33/53; G01N 33/5302; G01N 33/569; C12Q 1/686; B01L 7/52
See application file for complete search history.

(56) **References Cited**

U.S. PATENT DOCUMENTS

4,725,406 A * 2/1988 Compton G01N 33/5302
252/408.1
D322,856 S * 12/1991 Heath D24/226

D612,276 S * 3/2010 Duffy D10/81
D638,952 S * 5/2011 Oonuma D24/216
D651,720 S * 1/2012 Isozaki D24/216
D684,270 S * 6/2013 Chang D24/216
D705,441 S * 5/2014 Chang D24/216
D705,943 S * 5/2014 Chang D24/216
D705,944 S * 5/2014 Chang D24/216
2009/0305337 A1 * 12/2009 Iqbal G01N 35/00029
435/40.52
2016/0186240 A1 * 6/2016 Andreyev C12Q 1/686
435/287.2

* cited by examiner

Primary Examiner — Anhdao Doan

(74) *Attorney, Agent, or Firm* — Kilpatrick Townsend & Stockton LLP

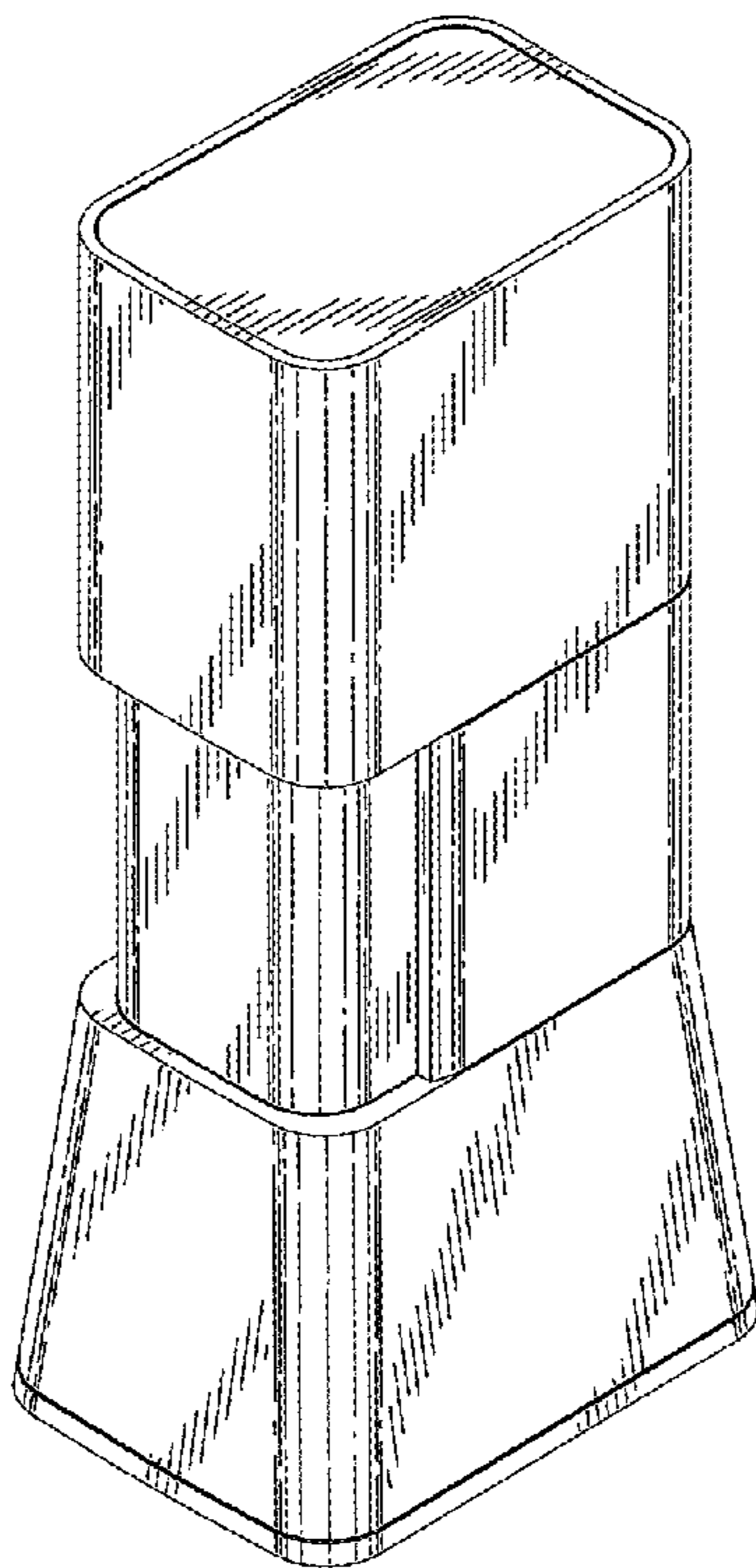
(57) **CLAIM**

The ornamental design for a molecular diagnostic system, as shown and described.

DESCRIPTION

FIG. 1 is a front perspective view of a molecular diagnostic system showing our new design;
FIG. 2 is a rear perspective view thereof;
FIG. 3 is a front elevational view thereof;
FIG. 4 is a rear elevational view thereof;
FIG. 5 is a top plan view thereof;
FIG. 6 is a bottom plan view thereof;
FIG. 7 is a left side elevational view thereof; and,
FIG. 8 is a right side elevational view thereof.

1 Claim, 5 Drawing Sheets



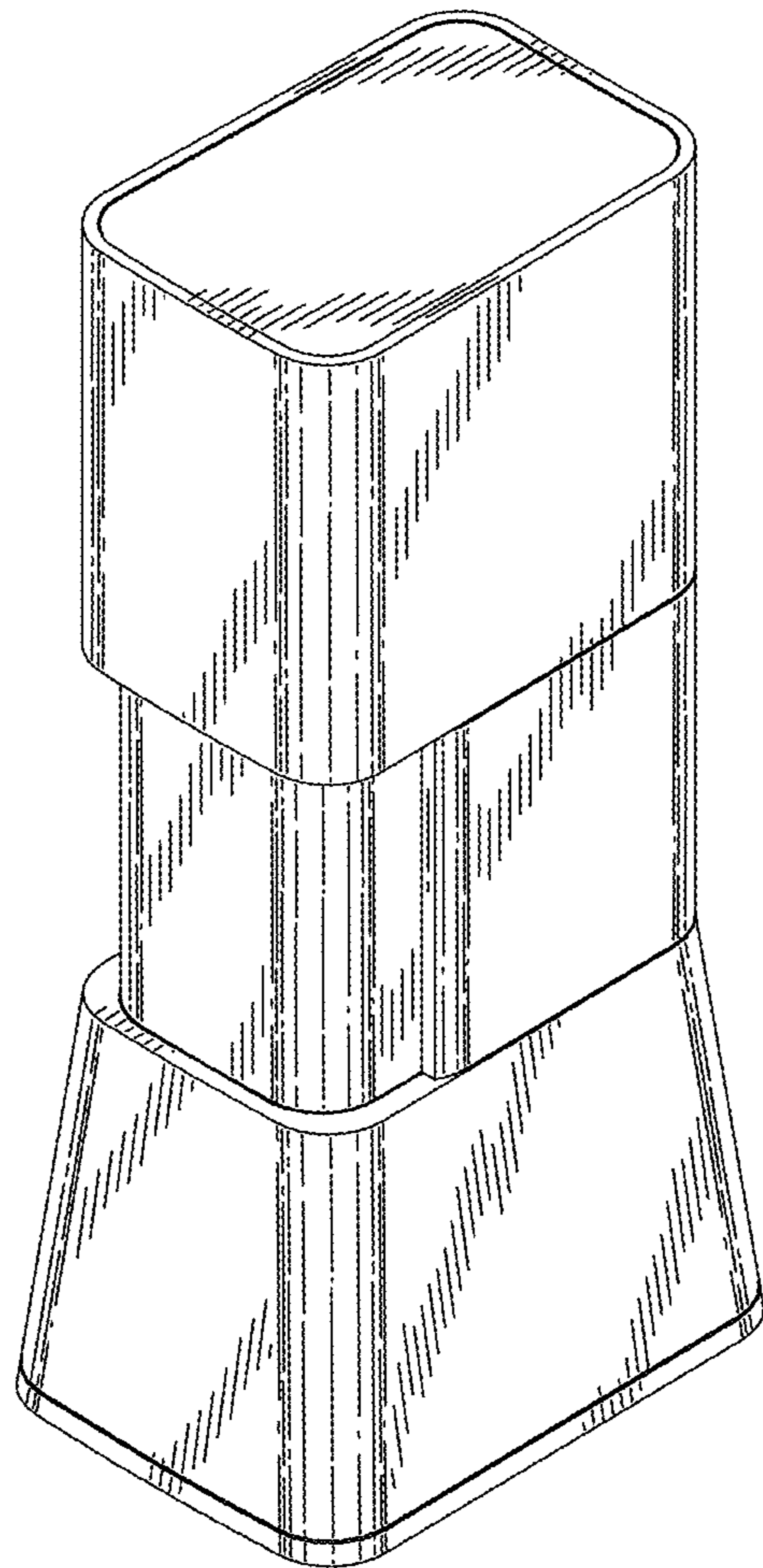


FIG. 1

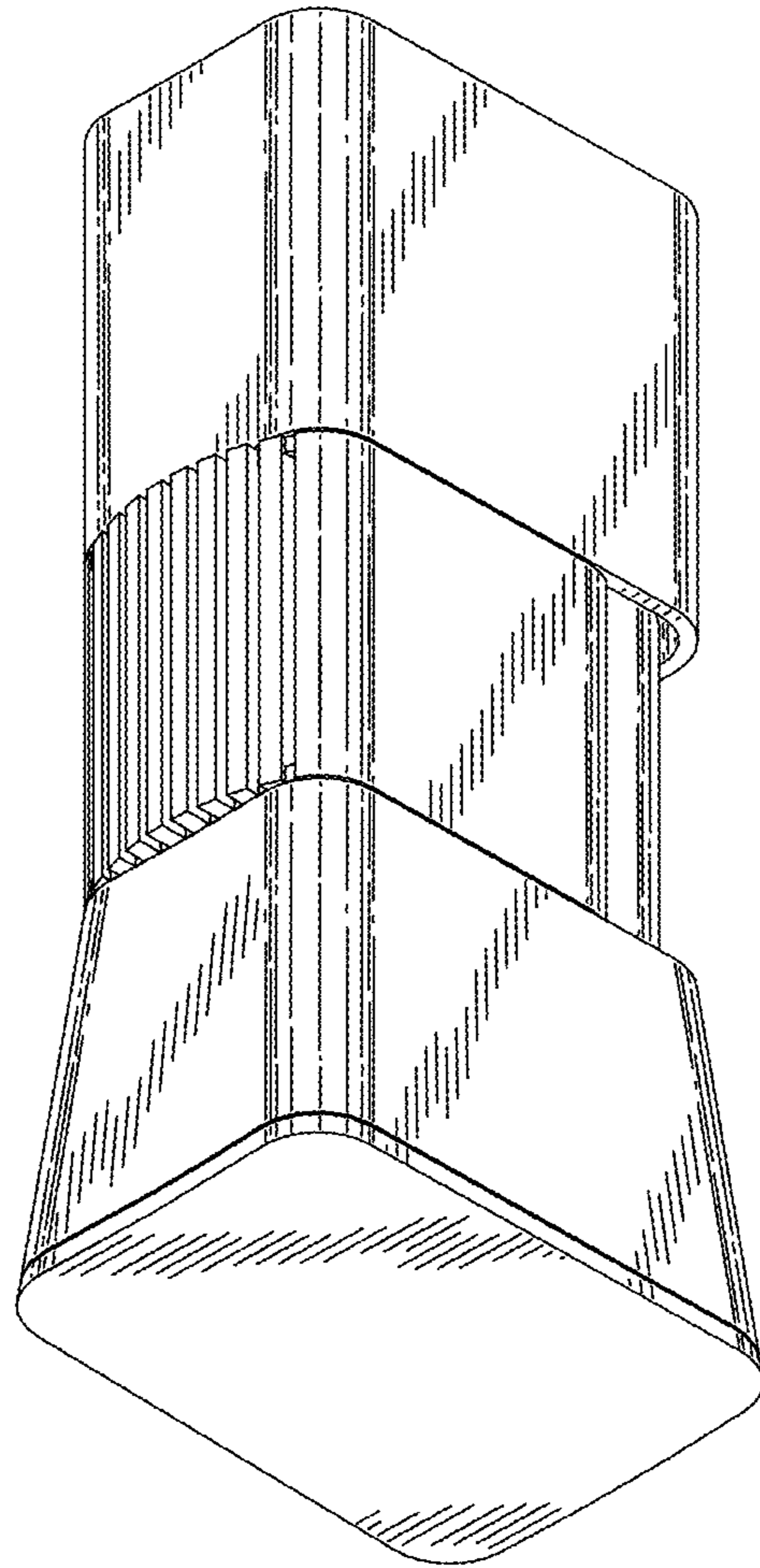


FIG. 2

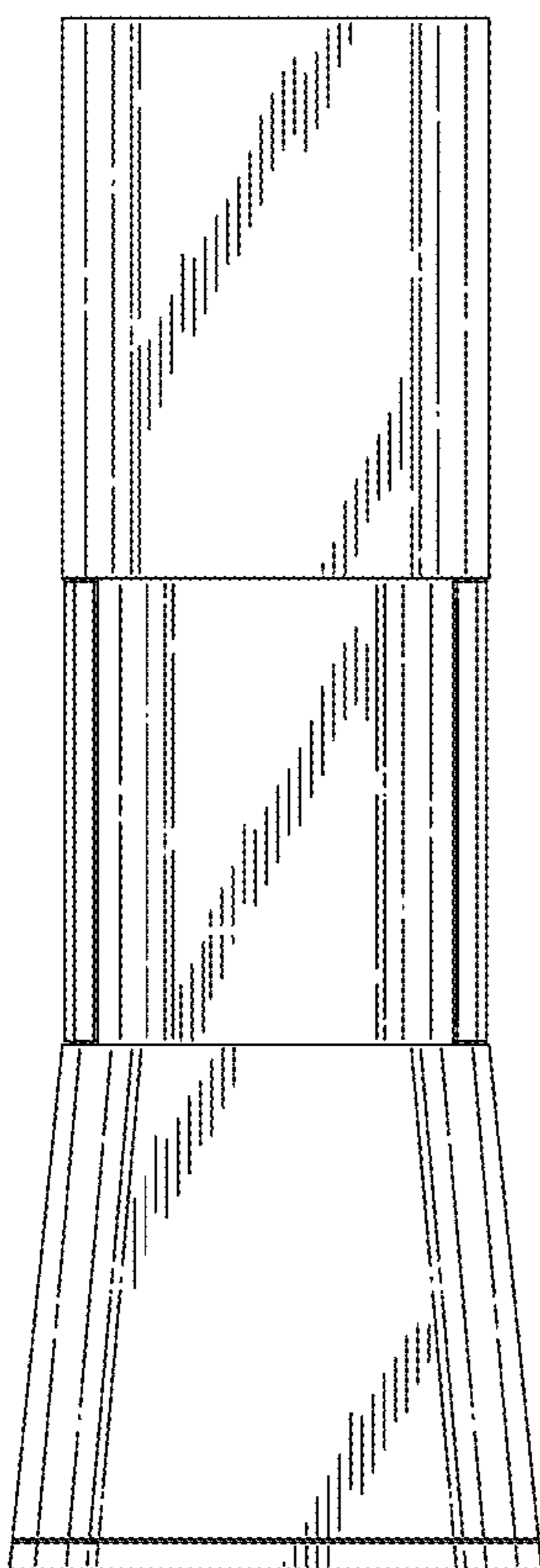


FIG. 3

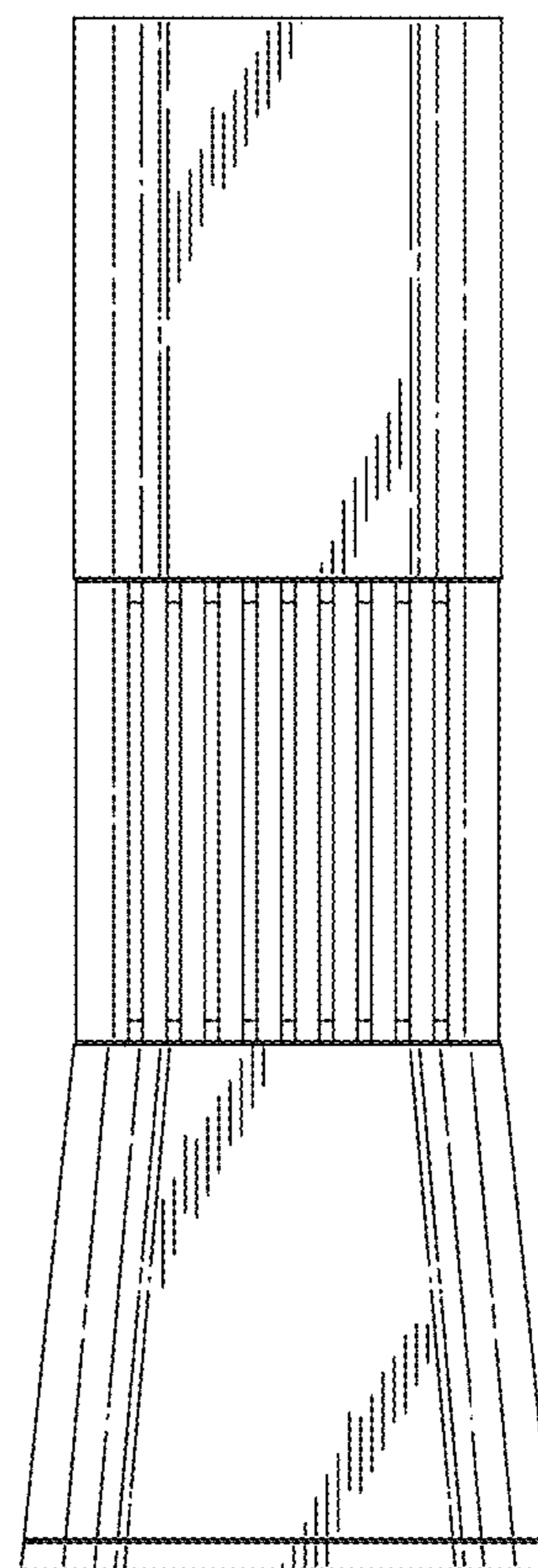


FIG. 4

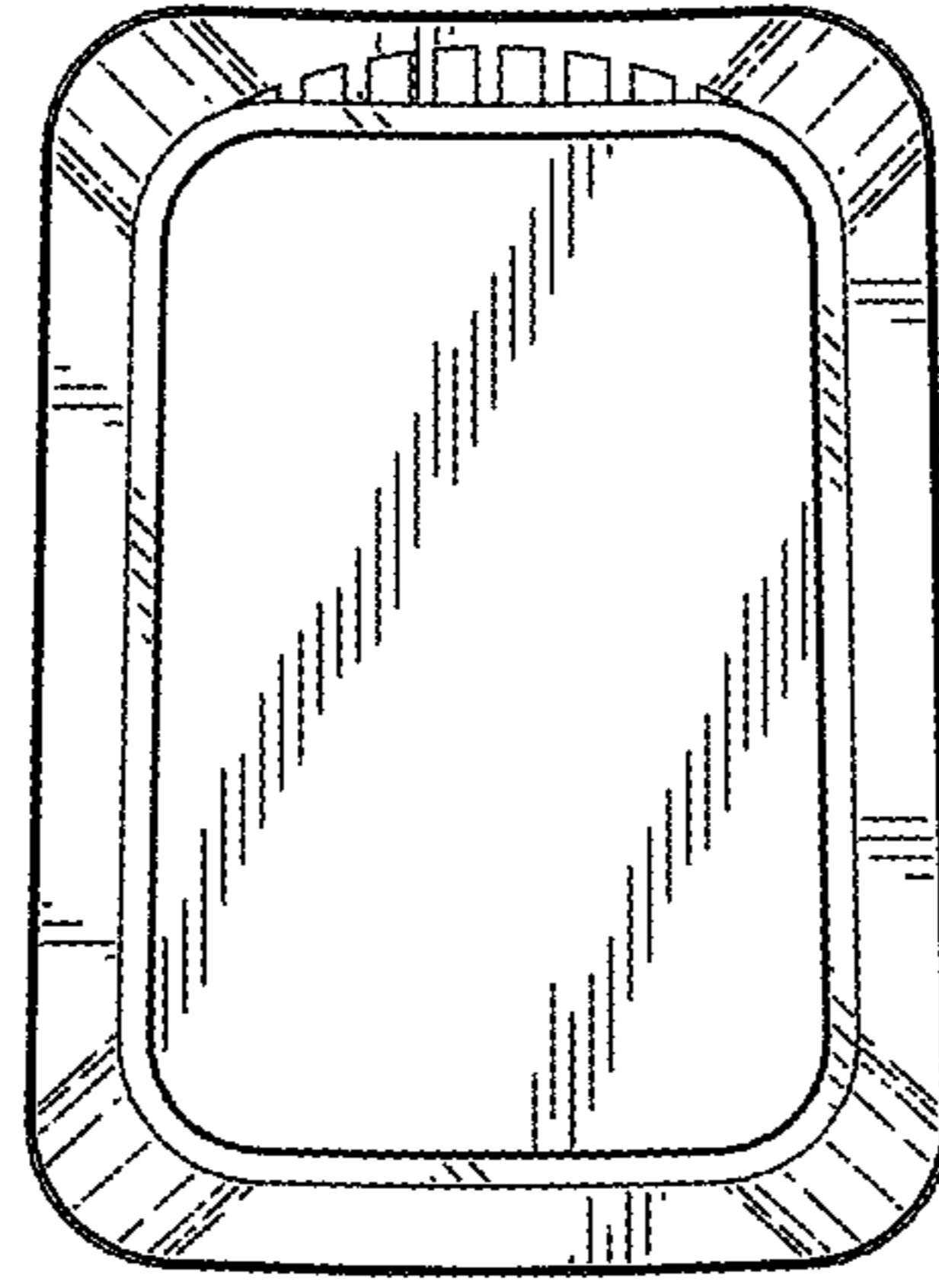


FIG. 5

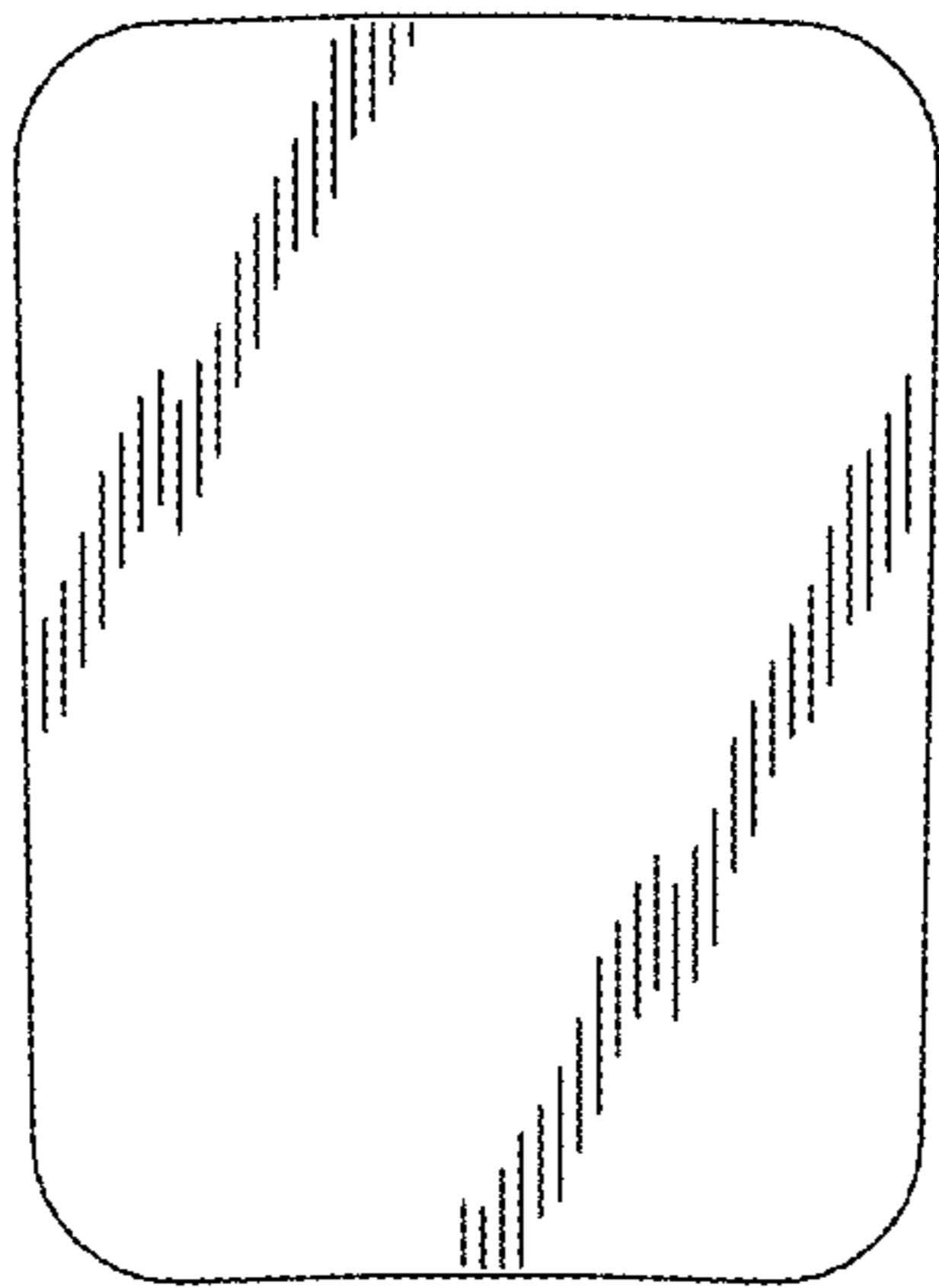


FIG. 6

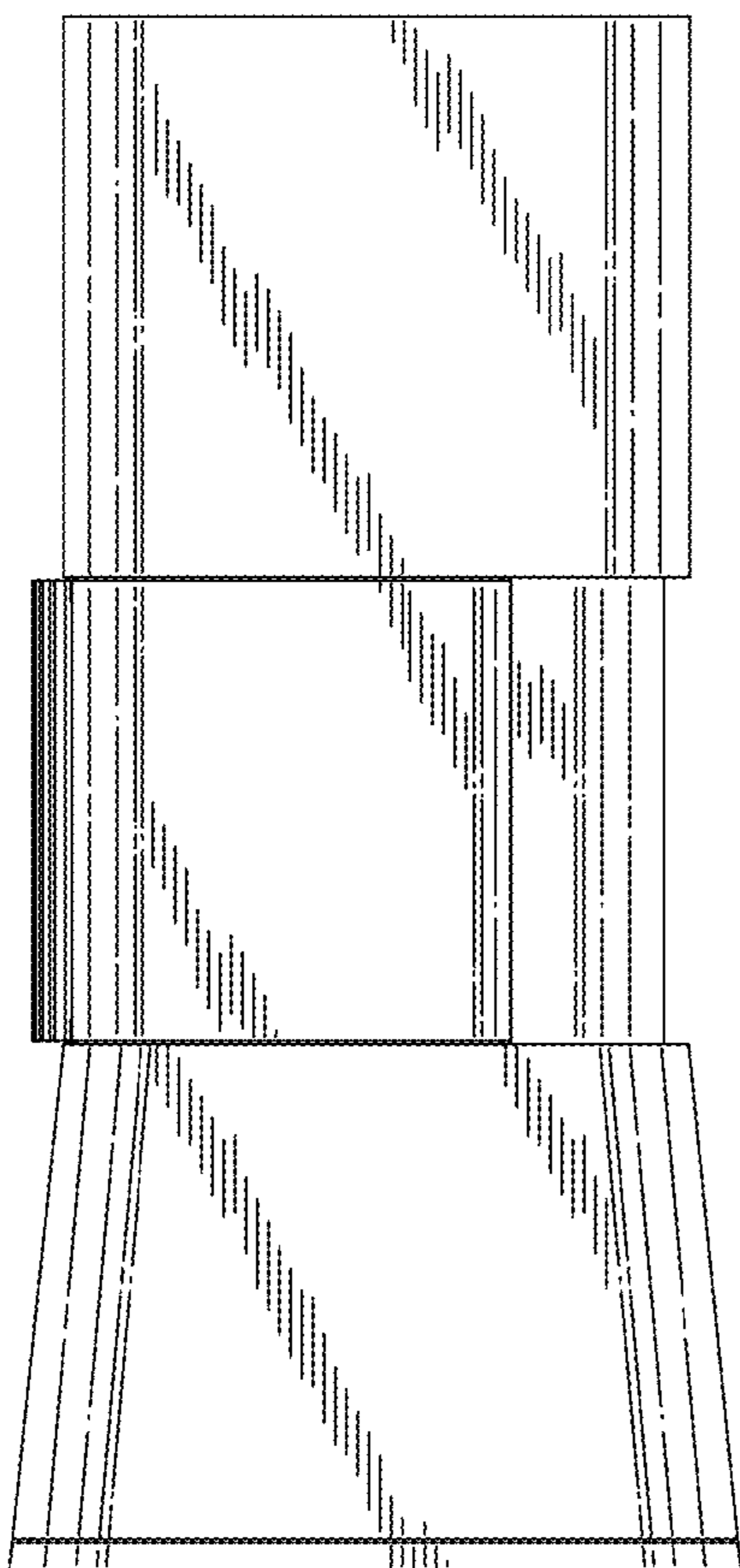


FIG. 7

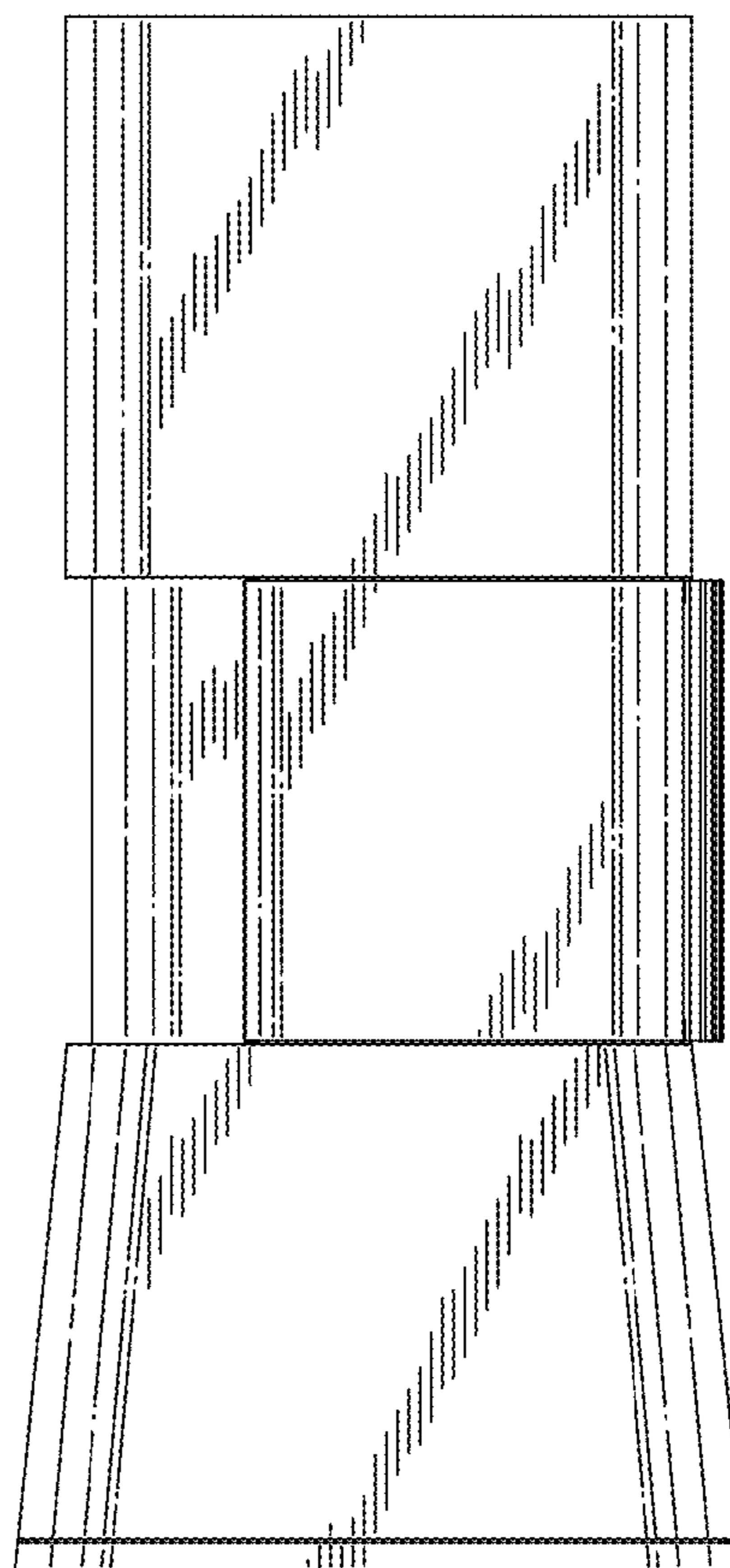


FIG. 8