



US00D775362S

(12) **United States Design Patent** (10) **Patent No.:** **US D775,362 S**  
**Ho** (45) **Date of Patent:** **\*\* Dec. 27, 2016**

(54) **GREEN LIP PLUMPER**

(71) Applicant: **Thienna Ho**, San Francisco, CA (US)

(72) Inventor: **Thienna Ho**, San Francisco, CA (US)

(\*\*) Term: **15 Years**

(21) Appl. No.: **29/538,067**

(22) Filed: **Aug. 31, 2015**

(51) **LOC (10) Cl.** ..... **24-99**

(52) **U.S. Cl.**  
USPC ..... **D24/200**

(58) **Field of Classification Search**  
USPC ..... D24/200, 206–208, 214–215; D28/67;  
D7/628; D9/643, 645; 428/21  
CPC ..... A41G 1/00; A41G 1/008; A61H 7/00;  
A61H 7/001; A61H 7/002; A61H 7/003;  
A61H 7/005; A61H 7/007; A61H 7/008;  
A61H 2007/009; A61H 9/0057; A61H  
9/005; A61H 2009/0064; A61H 2205/00;  
A61H 2205/022

See application file for complete search history.

(56) **References Cited**

**U.S. PATENT DOCUMENTS**

D431,097 S \* 9/2000 Tamez ..... D28/67  
6,189,545 B1 \* 2/2001 Tamez ..... A61C 15/043  
D28/67  
D501,257 S \* 1/2005 Huang ..... D24/206  
(Continued)

**OTHER PUBLICATIONS**

Set 4: CandyLipz Lip Plumper Set. Thienna 2013 [retrieved on Apr. 6, 2016]. Retrieved from the Internet: <URL: <http://www.candylipz.com>>.\*

*Primary Examiner* — Wan Laymon

(74) *Attorney, Agent, or Firm* — Jonathan Jaech; Snell & Wilmer L.L.P.

(57) **CLAIM**

The ornamental design for a green lip plumper, as shown and described.

**DESCRIPTION**

The patent or application file contains at least one drawing executed in color. Copies of this patent or patent application publication with color drawing(s) will be provided by the Office upon request and payment of the necessary fee.

FIG. 1 is a perspective view of the lip plumper in a closed configuration, from above and to the side.

FIG. 2 is a perspective view of the lip plumper in a closed configuration, from below and to the side.

FIG. 3 is a front side view of the lip plumper shown in FIG. 1.

FIG. 4 is a rear side view of the lip plumper shown in FIG. 1.

FIG. 5 is a right side view of the lip plumper shown in FIG. 1.

FIG. 6 is left side view of the lip plumper of FIG. 1.

FIG. 7 is a top plan view of the lip plumper shown in FIG. 1.

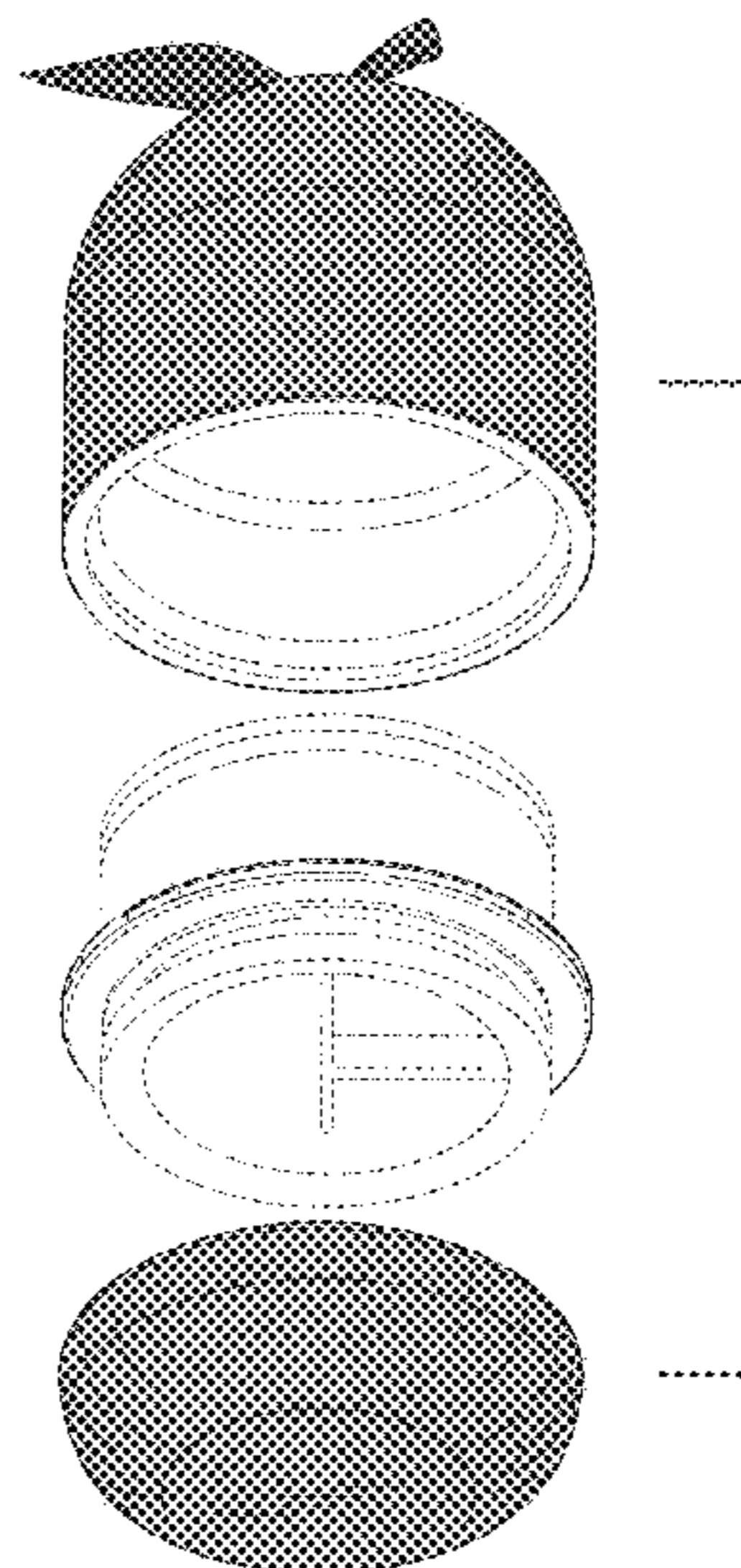
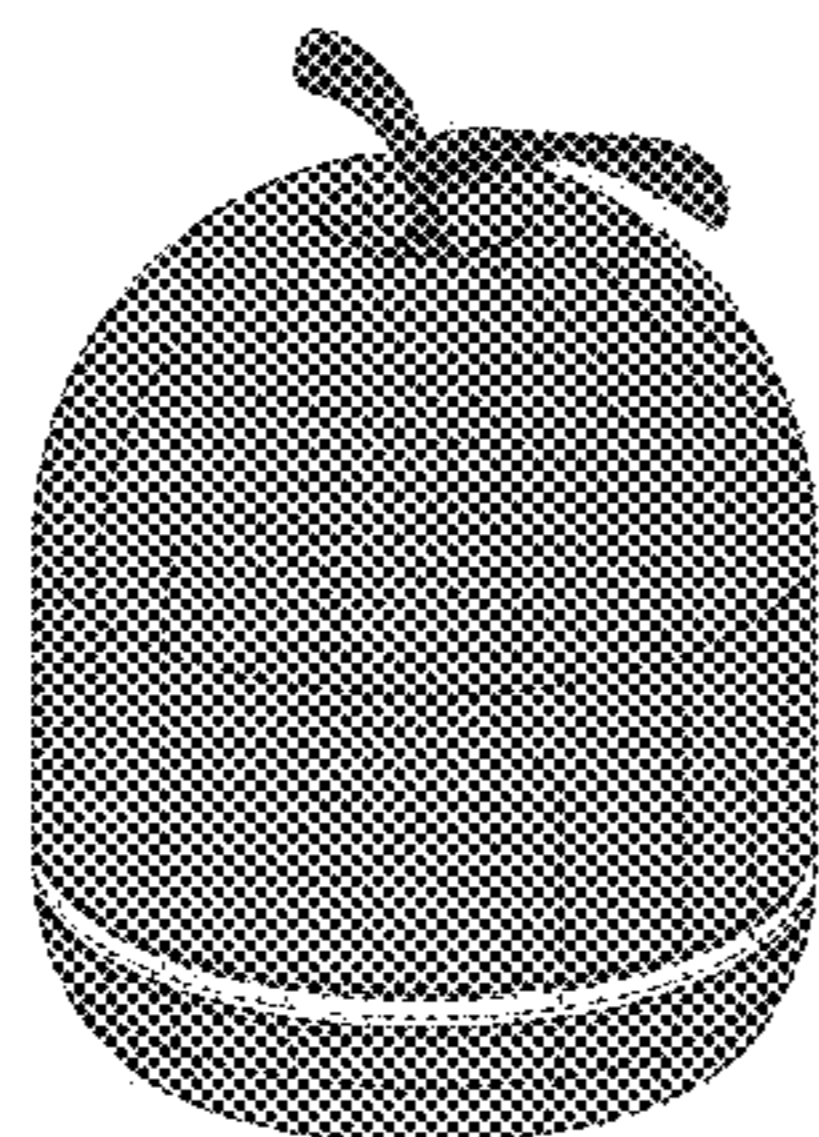
FIG. 8 is a bottom plan view of the lip plumper shown in FIG. 1; and,

FIG. 9 is an exploded perspective view of the lip plumper shown in FIG. 1, showing interior components that are not a part of the ornamental design, for context.

In all of the figures, the depicted colors are an integral part of the claimed design. The lighter green color is Pantone 376C throughout. The darker green color used on the stem and leaf is Pantone 370C throughout.

The broken lines showing in the figure drawings are included for the purpose of illustration and form no part of the claimed design.

**1 Claim, 6 Drawing Sheets**  
**(6 of 6 Drawing Sheet(s) Filed in Color)**



(56)

**References Cited**

U.S. PATENT DOCUMENTS

D605,471 S \* 12/2009 Ehrenhaus ..... D7/628  
D666,460 S \* 9/2012 Kolano ..... D7/628  
8,858,472 B2 \* 10/2014 Gomez ..... A61H 9/0057  
601/6  
9,119,758 B2 \* 9/2015 Ho ..... A61H 9/0057

\* cited by examiner

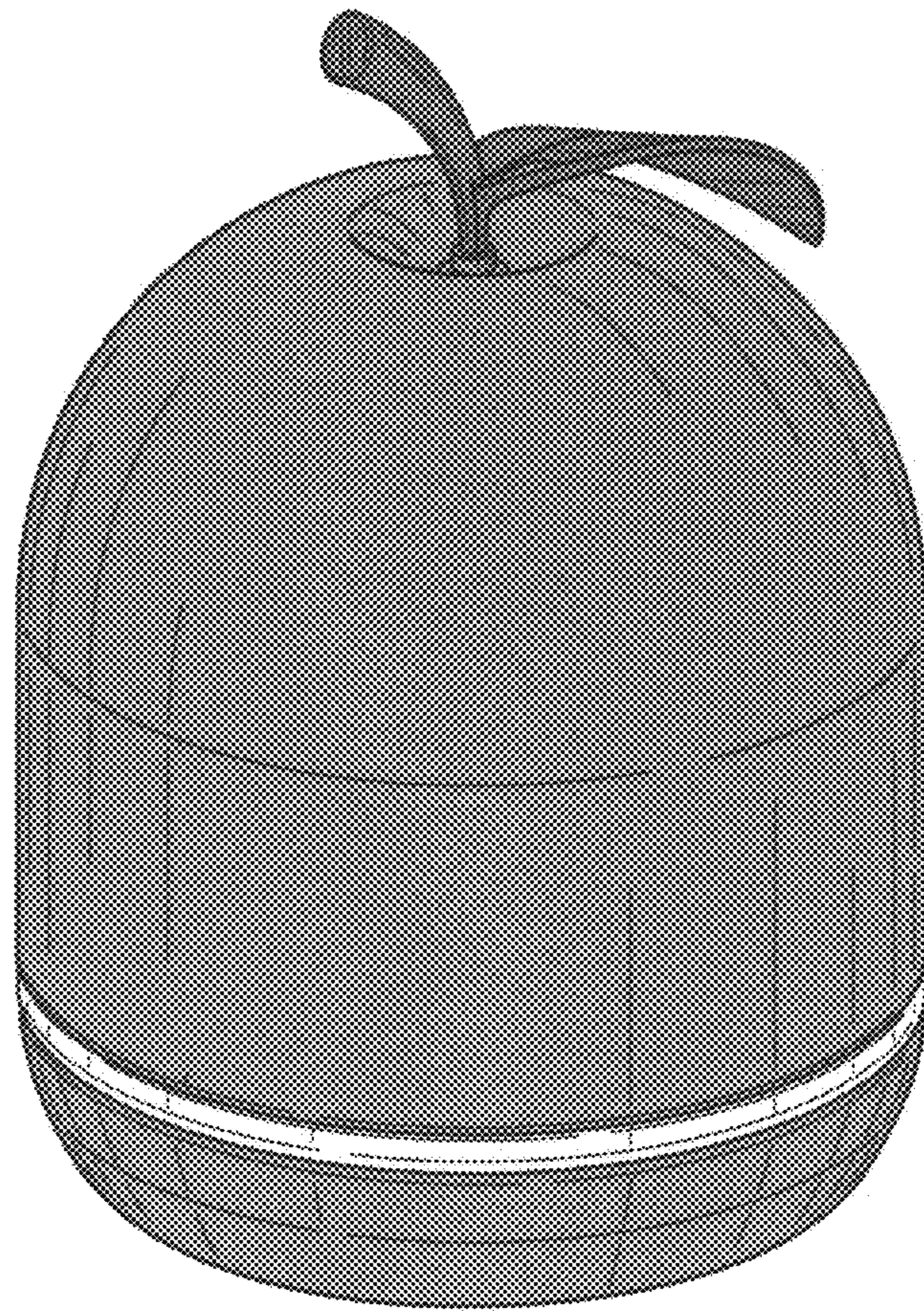


FIG. 1

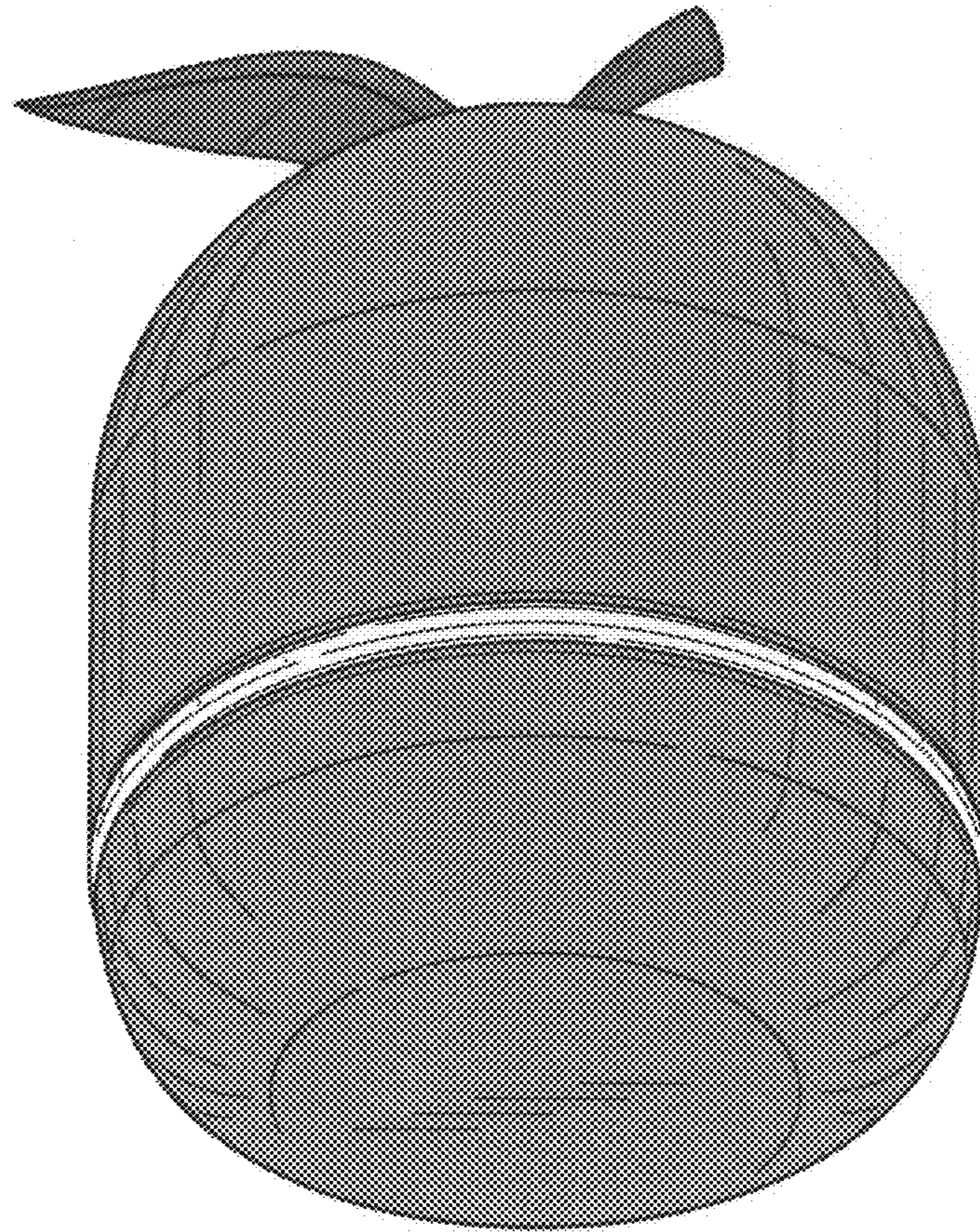


FIG. 2

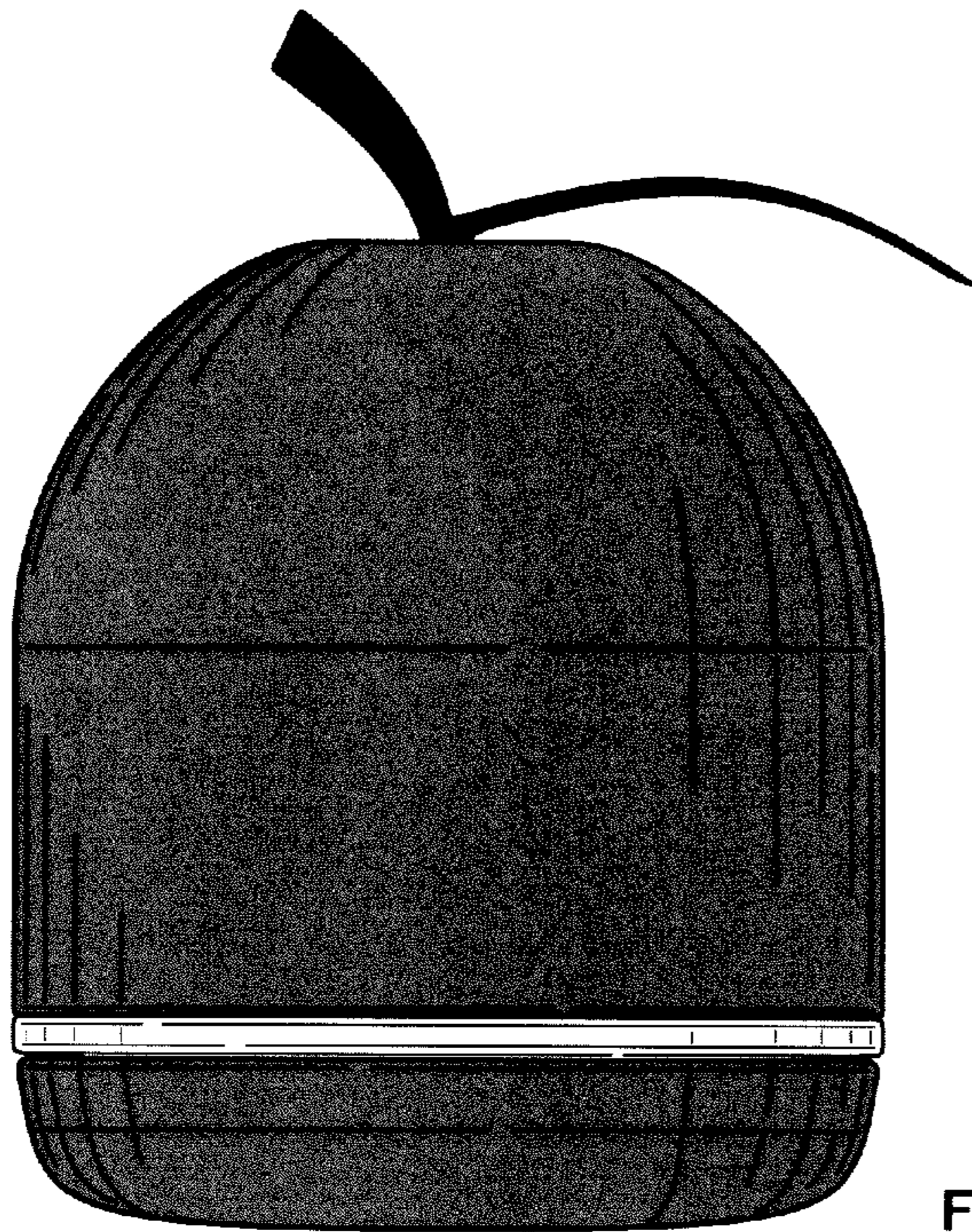


FIG. 3

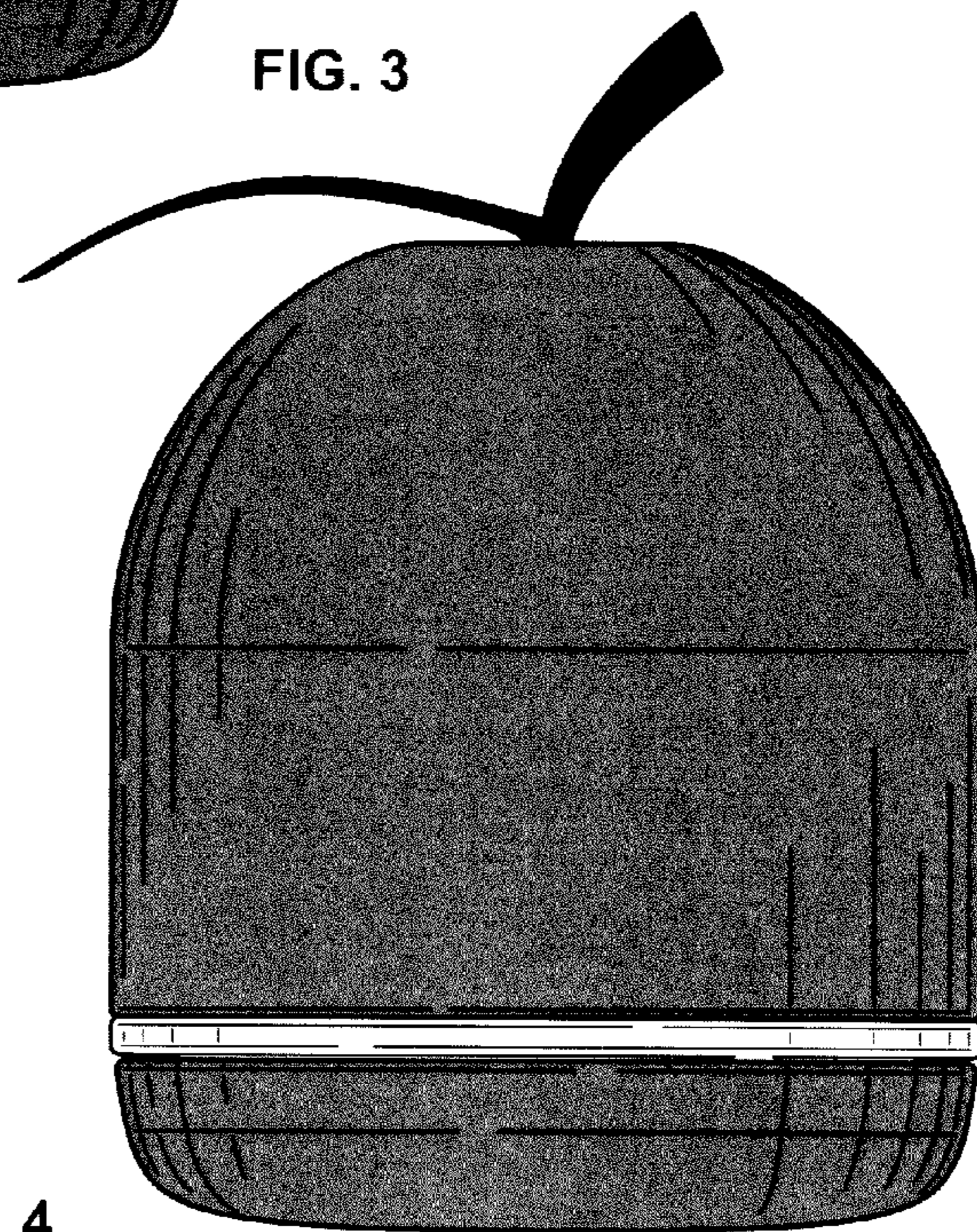


FIG. 4

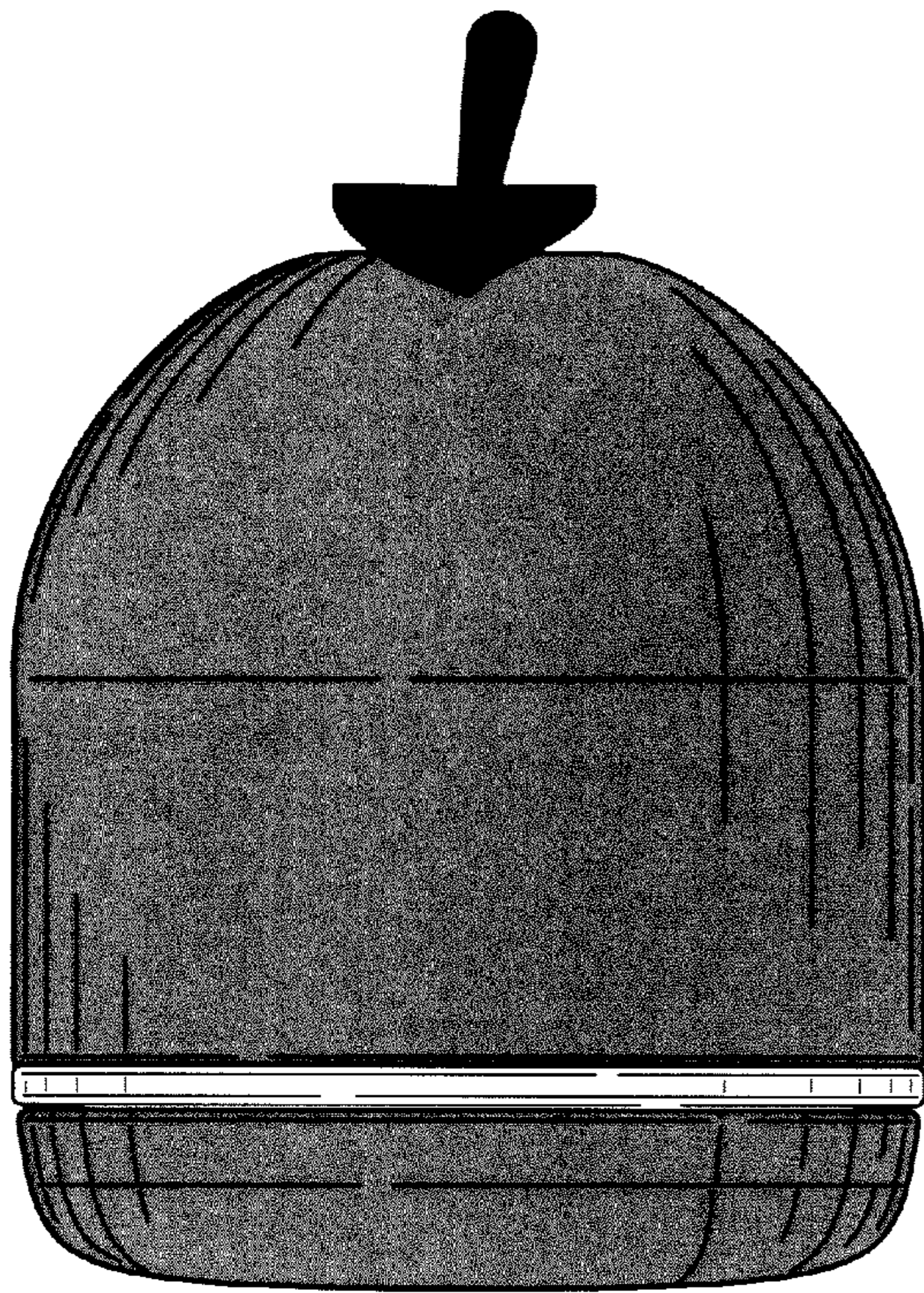


FIG. 5

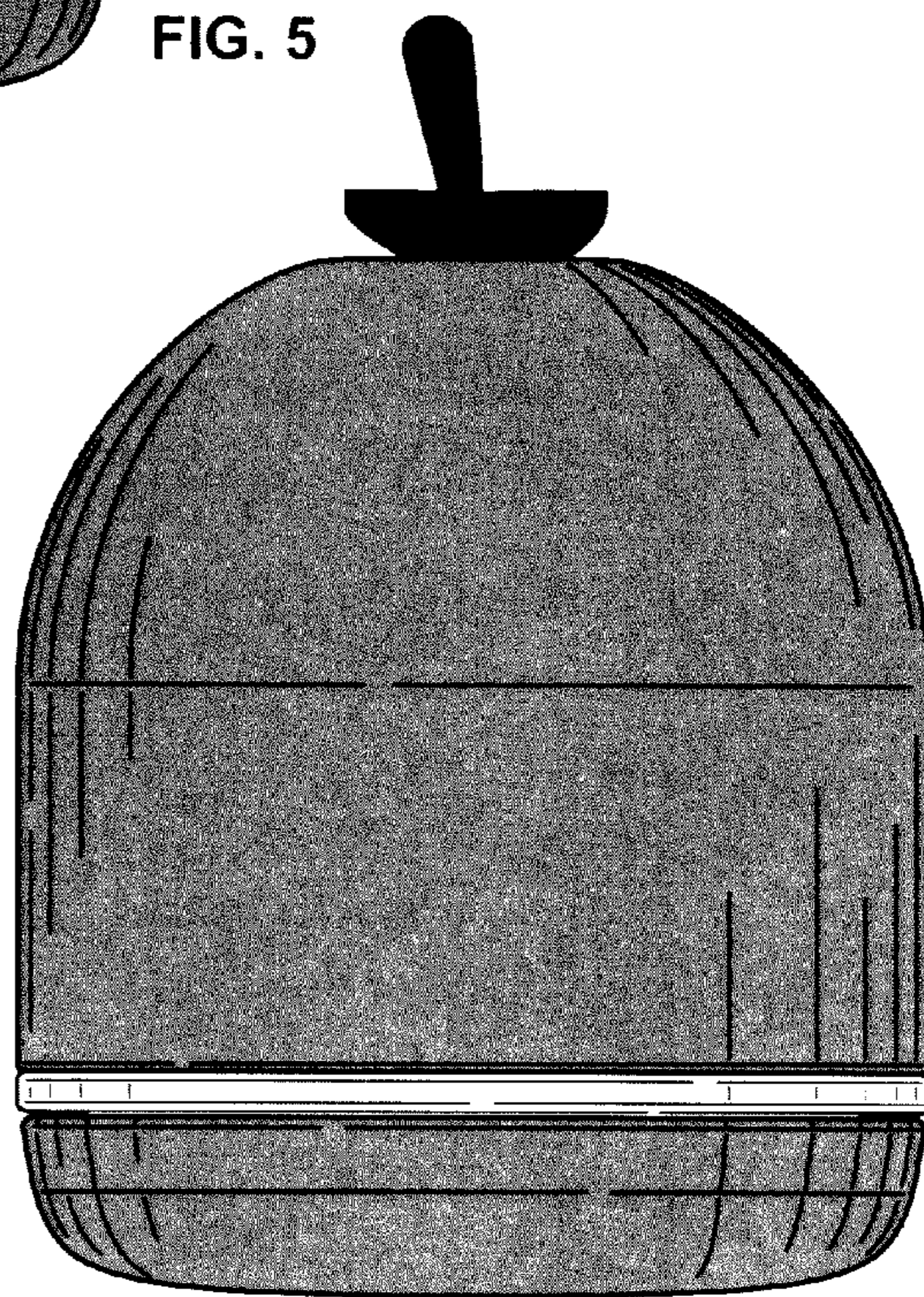


FIG. 6

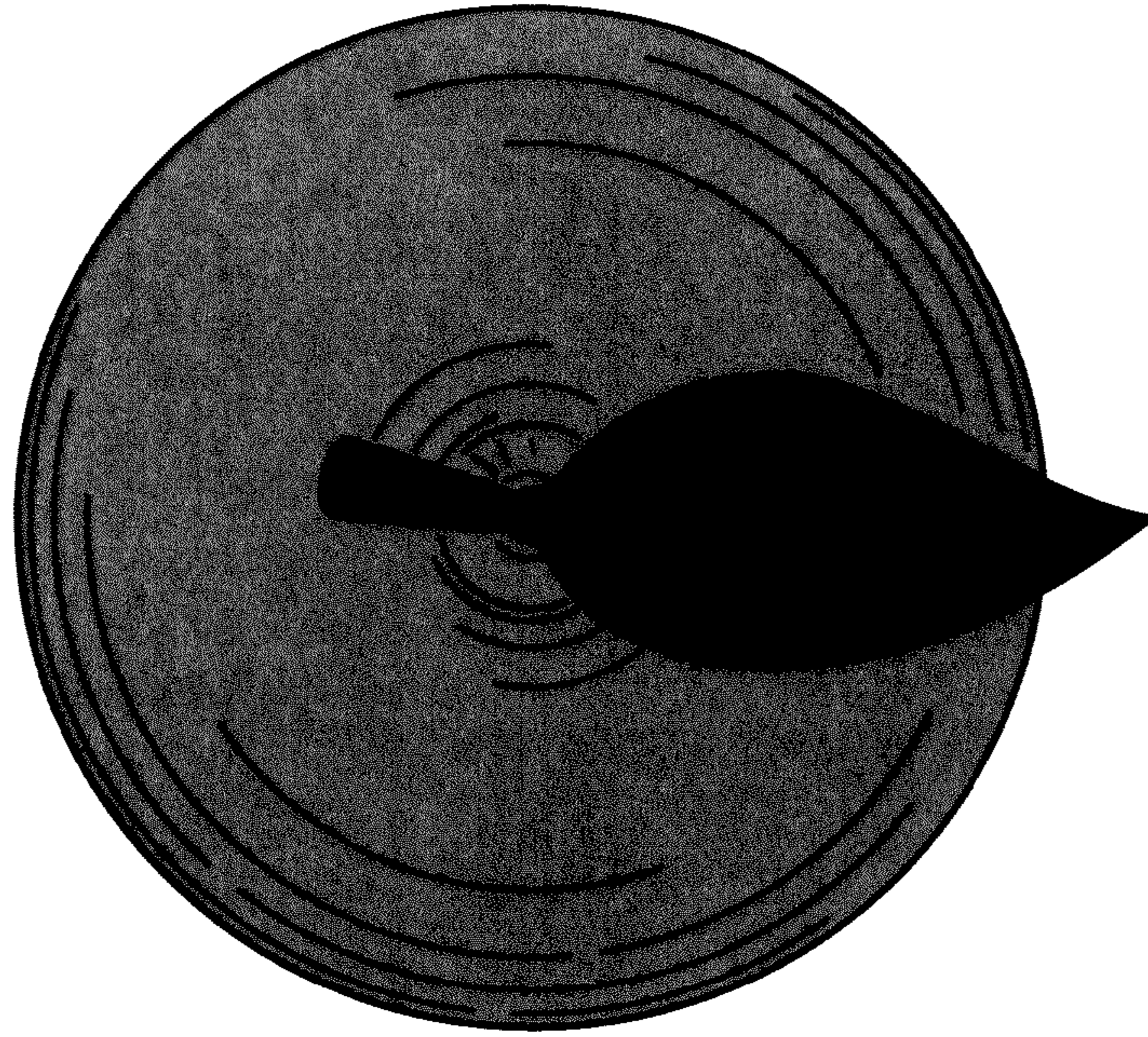


FIG. 7

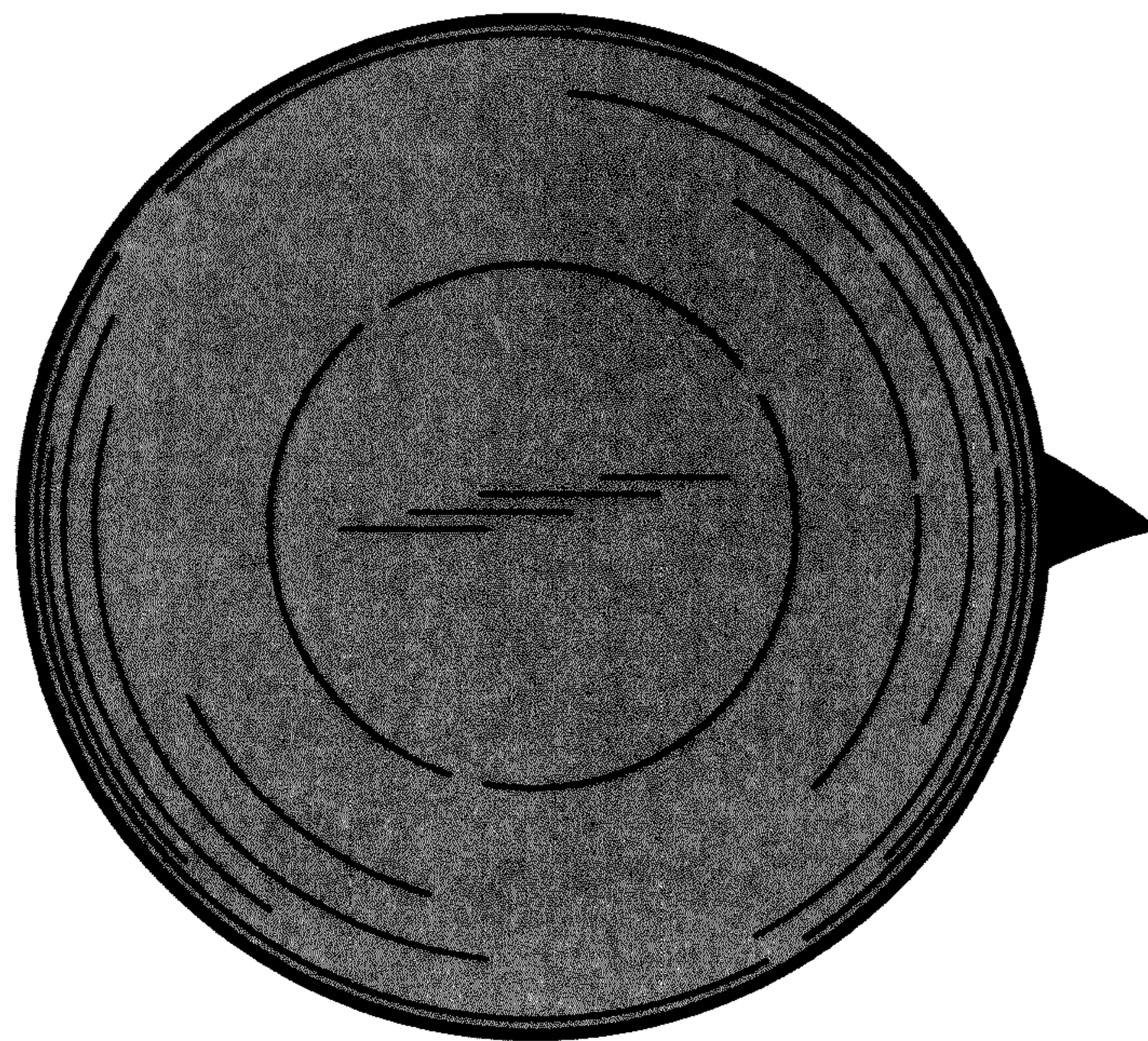


FIG. 8

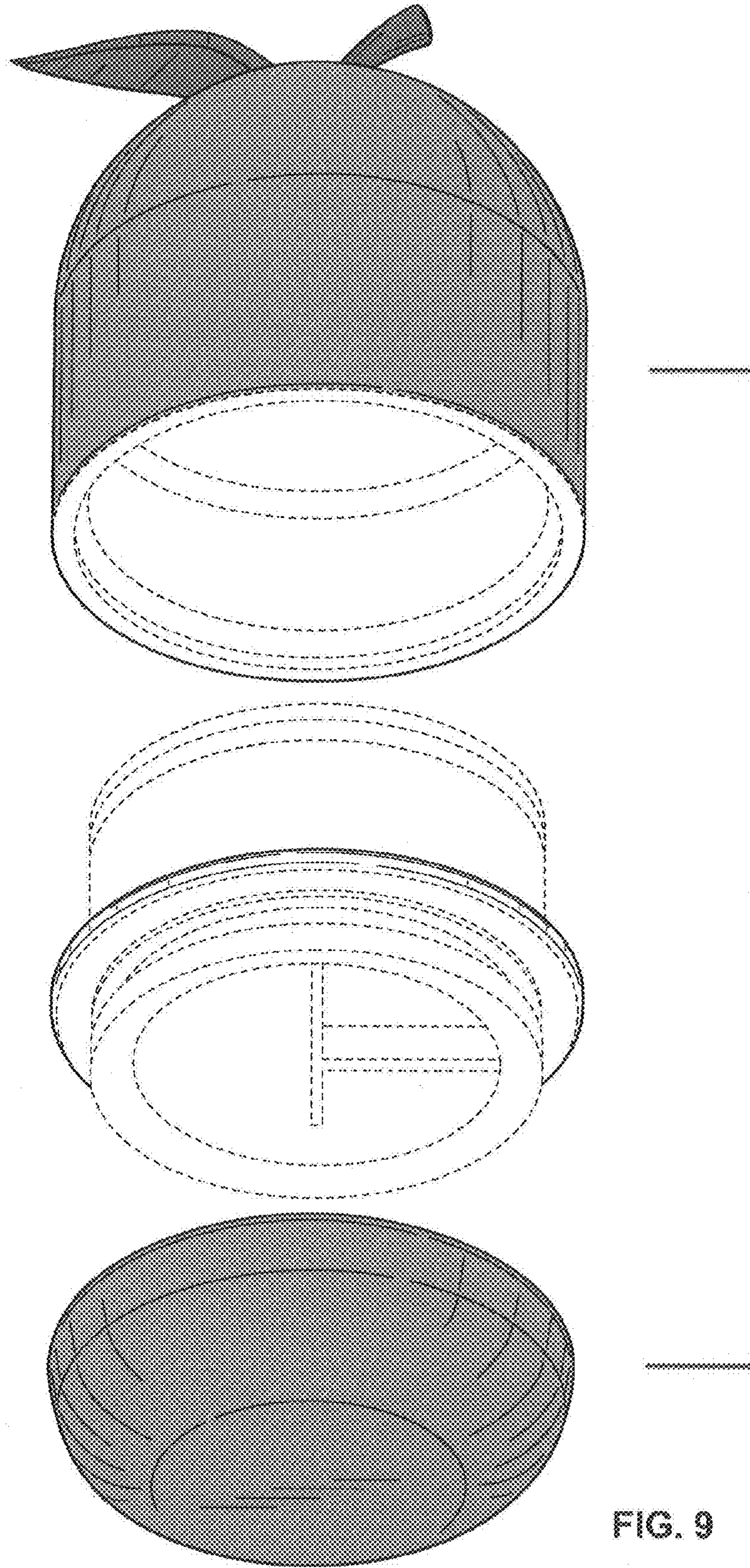


FIG. 9