



US00D775360S

(12) **United States Design Patent**
Berg et al.

(10) **Patent No.:** **US D775,360 S**
(45) **Date of Patent:** **** Dec. 27, 2016**

(54) **PATIENT DIAGNOSTIC MEDICAL DEVICE**

FOREIGN PATENT DOCUMENTS

(71) Applicant: **Medtronic, Inc.**, Minneapolis, MN (US)

EM 003176197-0001 * 6/2016

(72) Inventors: **Richard O. Berg**, Maple Grove, MN (US); **Timothy C. Aarons**, Maple Grove, MN (US); **Michael D. Behm**, Chisago City, MN (US); **Paul D. Ramseth**, Saint Paul, MN (US)

OTHER PUBLICATIONS

External Pacemakers, posted at Medtronic.com, posting date not given, © 2016, site visited Oct. 12, 2016, <<http://www.medtronic.com/us-en/healthcare-professionals/products/cardiac-rhythm/pacemakers/external-pacemakers.html>>.*

(Continued)

(73) Assignee: **Medtronic, Inc.**, Minneapolis, MN (US)

Primary Examiner — Barbara Fox

Assistant Examiner — Messina L Smith

(**) Term: **15 Years**

(74) *Attorney, Agent, or Firm* — Dicke, Billig & Czaja, PLLC

(21) Appl. No.: **29/547,699**

(57) **CLAIM**

The ornamental design for a patient diagnostic medical device, as shown and described.

(22) Filed: **Dec. 7, 2015**

(51) **LOC (10) Cl.** **24-01**

(52) **U.S. Cl.**
USPC **D24/186**

DESCRIPTION

(58) **Field of Classification Search**
USPC . D24/185–187, 167–169, 65, 214–215, 129, D24/111, 100, 200, 106; D14/137, 155, D14/341, 344–345; D10/70
CPC A61N 1/39; A61N 1/3968; A61N 1/046; A61N 1/0472; A61N 1/0492; A61N 1/3925; A61N 1/3993
See application file for complete search history.

FIG. 1 is a top perspective view of a patient diagnostic medical device according to the new design.
FIG. 2 is a bottom perspective view thereof;
FIG. 3 is a top view thereof;
FIG. 4 is a bottom view thereof;
FIG. 5 is a left side view thereof;
FIG. 6 is a right side view thereof;
FIG. 7 is a rear view thereof;
FIG. 8 is a front view thereof;
FIG. 9 is a top perspective view thereof, shown in an alternate position; and,
FIG. 10 is a bottom perspective view thereof, shown in another alternate position.
The broken lines are included for the purpose of illustrating portions of the patient diagnostic medical device and form no part of the claimed design.

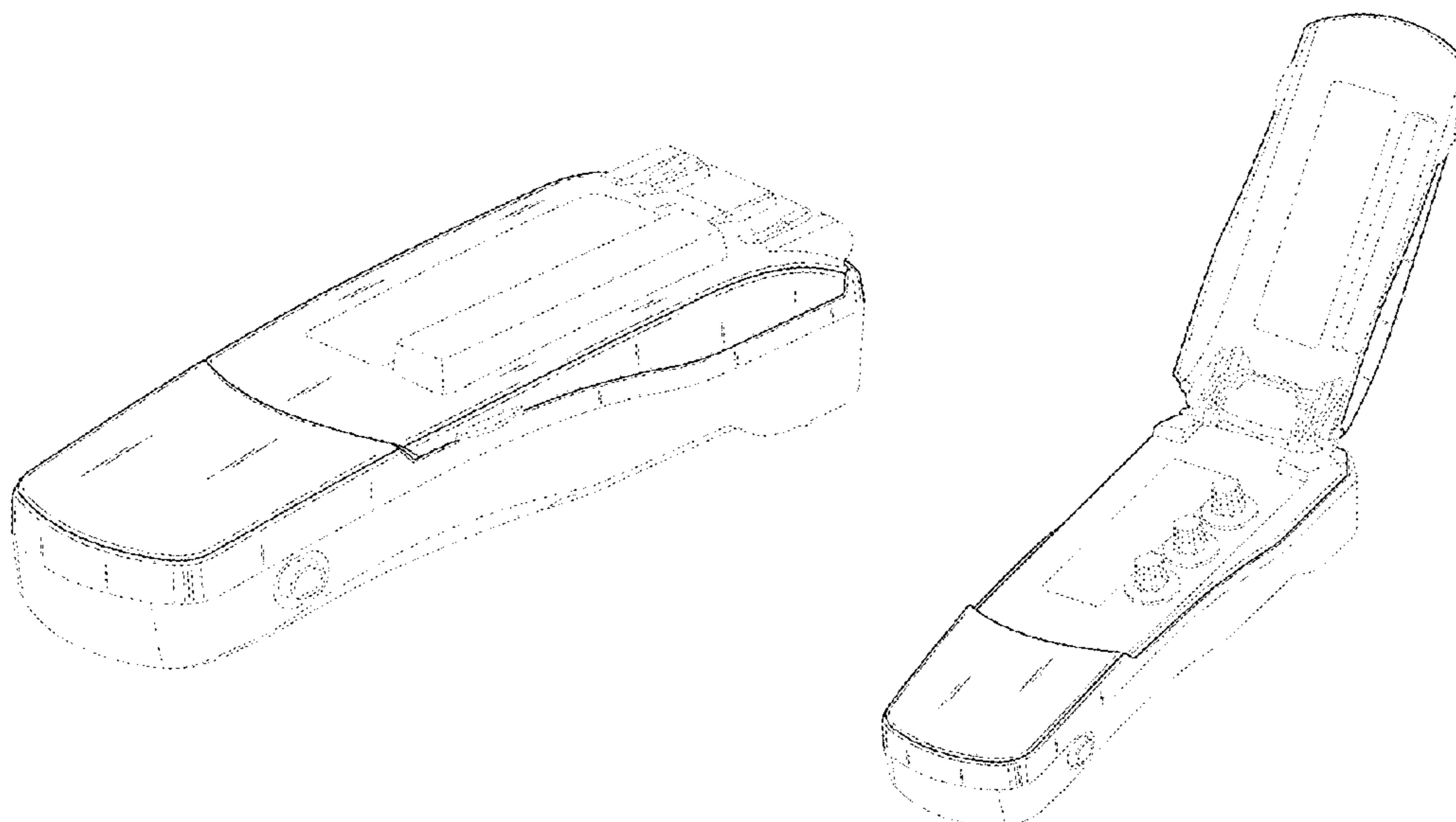
(56) **References Cited**

U.S. PATENT DOCUMENTS

D390,661 S	*	2/1998	Foggia	D24/169
D411,620 S	*	6/1999	Lindseth	D24/167
D428,994 S	*	8/2000	Thauer	D24/200
D432,535 S	*	10/2000	Loh	D14/345
D437,058 S	*	1/2001	Gozani	D24/186

(Continued)

1 Claim, 10 Drawing Sheets



(56)

References Cited

U.S. PATENT DOCUMENTS

6,923,327 B1 * 8/2005 Cohen B65D 25/105
 206/765
 D517,214 S * 3/2006 Peng D24/165
 D544,605 S * 6/2007 Gumisawa D24/186
 D555,790 S * 11/2007 McCulloch D24/165
 D560,280 S * 1/2008 Skwarek D24/186
 D562,985 S * 2/2008 Brefka D24/186
 D566,282 S * 4/2008 Al-Ali D24/185
 D584,974 S * 1/2009 Fukuda D10/70
 D590,063 S * 4/2009 Garthoff D24/186
 D606,659 S * 12/2009 Kiani D24/186
 D625,013 S * 10/2010 Kawamura D24/167
 D725,522 S * 3/2015 Kousuge D10/78
 D725,784 S * 3/2015 Xia D24/186
 D750,514 S * 3/2016 Levinson D10/70
 D752,763 S * 3/2016 Rondoni D24/186
 D761,434 S * 7/2016 Nelson D24/186
 2010/0057043 A1 * 3/2010 Kovatchev A61B 5/024
 604/504

OTHER PUBLICATIONS

External Pacemaker, Temporary Pacemaker Basics Tutorial: Controls, Thresholds and Settings, posted at YouTube.com, May 9, 2016, site visited Oct. 12, 2016, <<https://www.youtube.com/watch?v=iWZoOeEtdfg>>.*

External Pacemaker, for Sale Medtronic 5348 Pacemaker, posted at Dotmed.com, posted on Oct. 3, 2016, site visited Oct. 12, 2016, <<https://www.dotmed.com/listing/pacemaker/medtronic/5348/2245728>>.*

Medtronic—External Pacemakers, Temporary Dual Chamber Pacing with a Temporary Pacemaker Lead, Nov. 26, 2013 (6 pgs.).

* cited by examiner

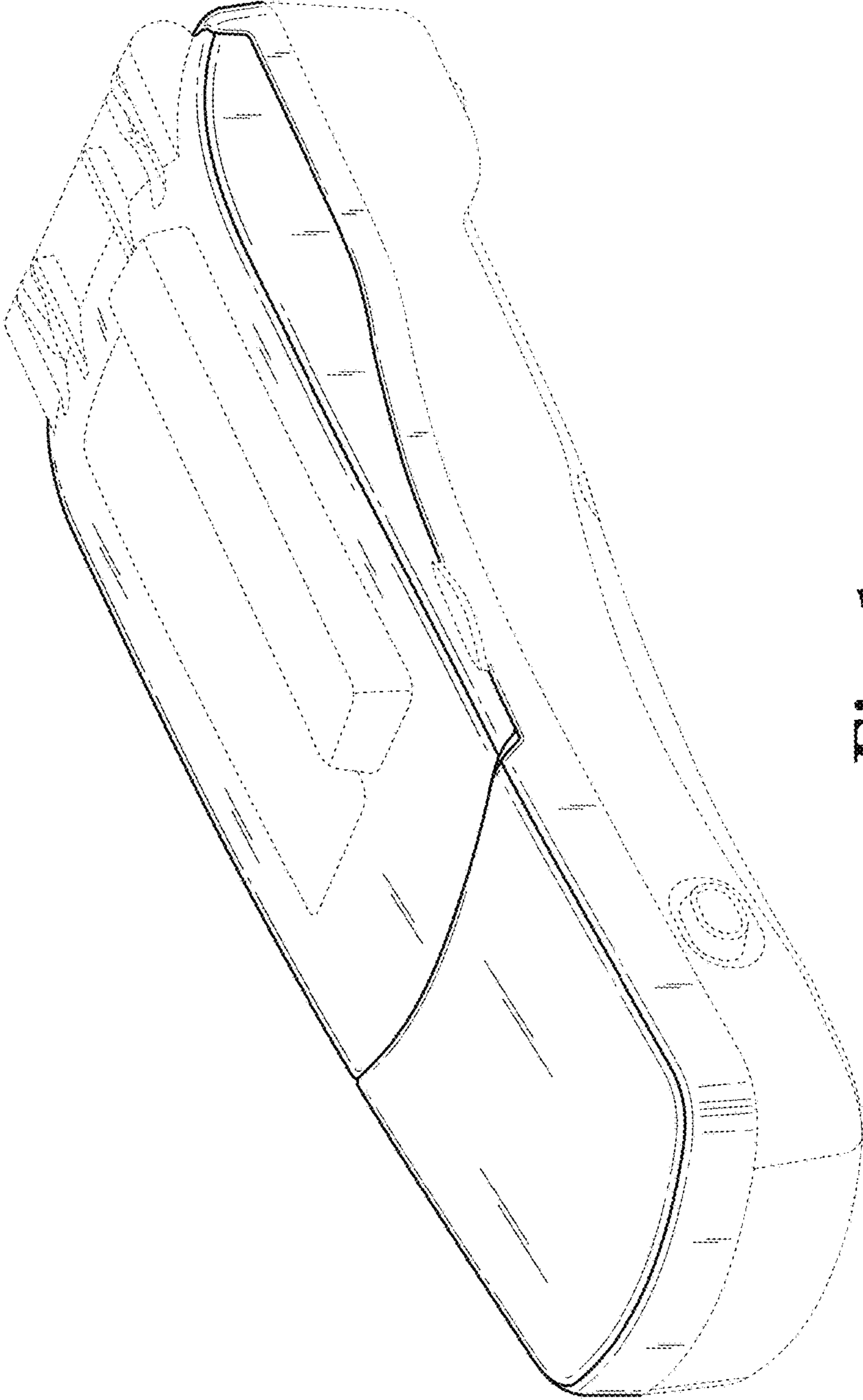


Fig. 1

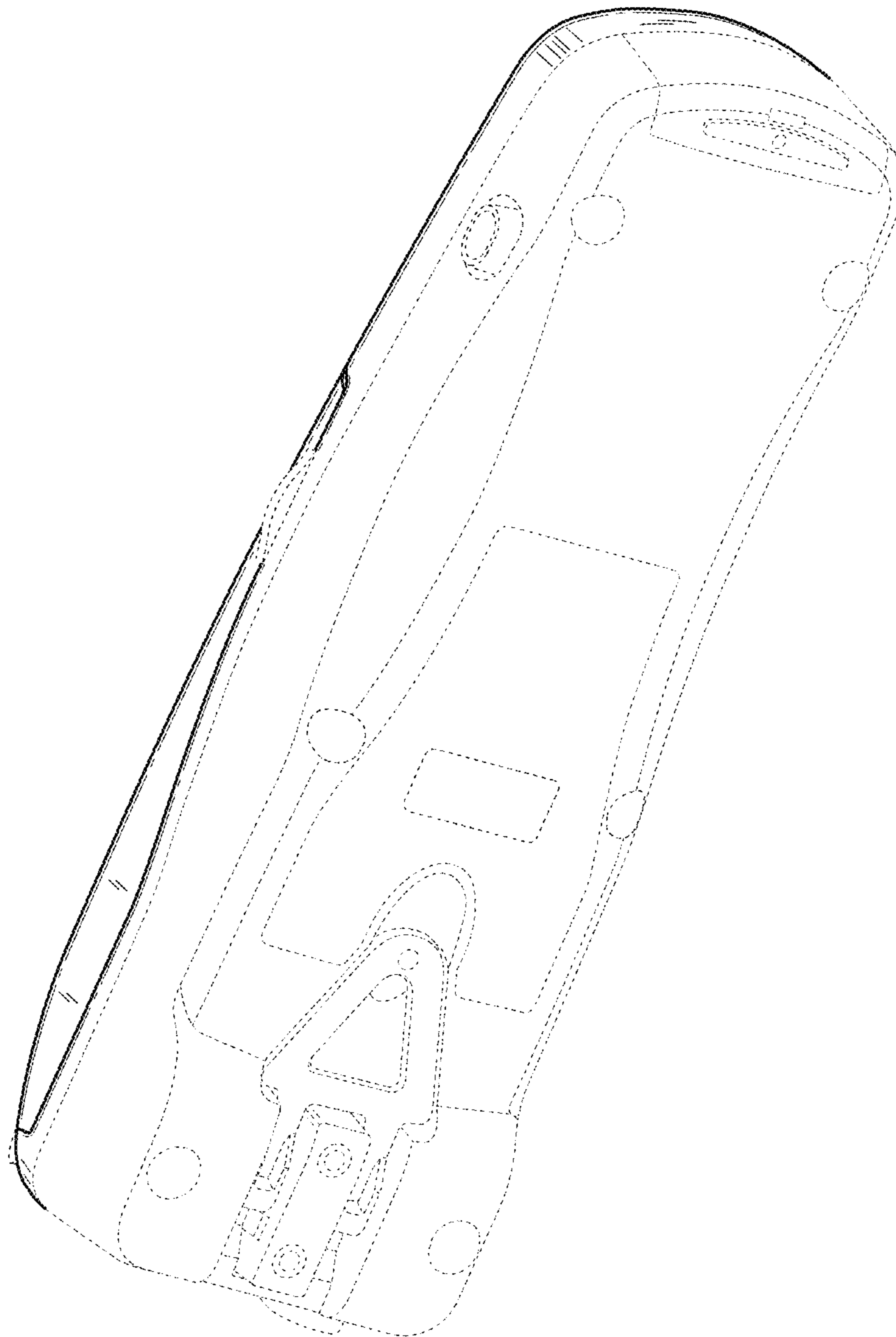


Fig. 2

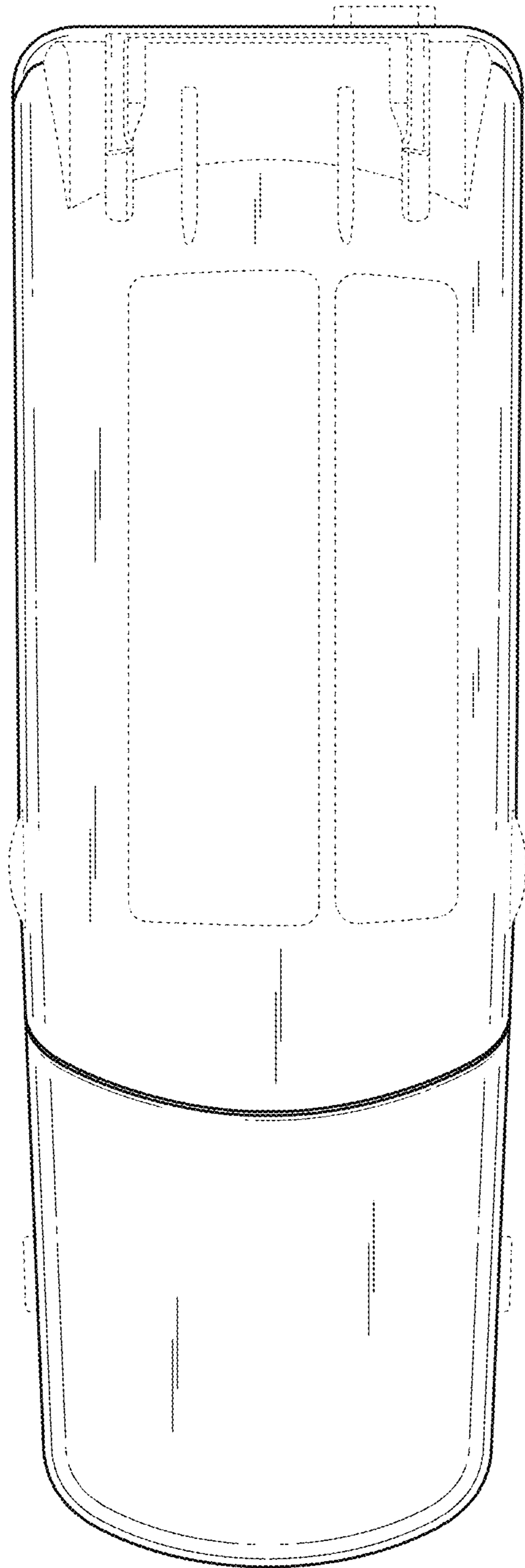


Fig. 3

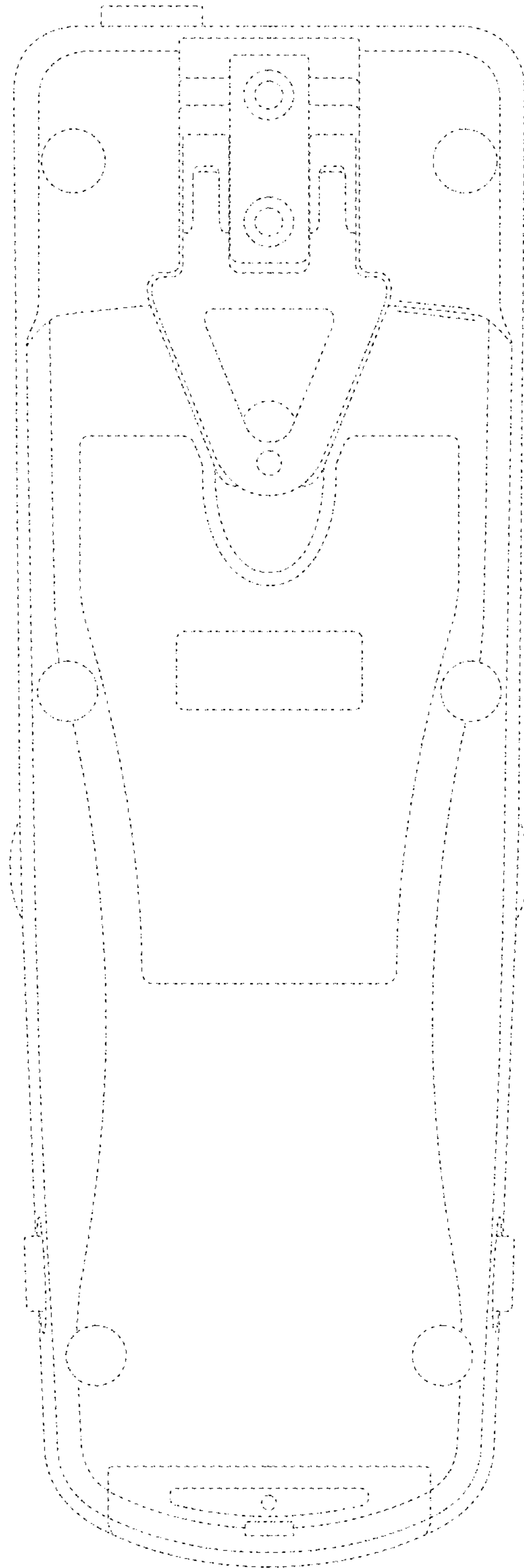


Fig. 4

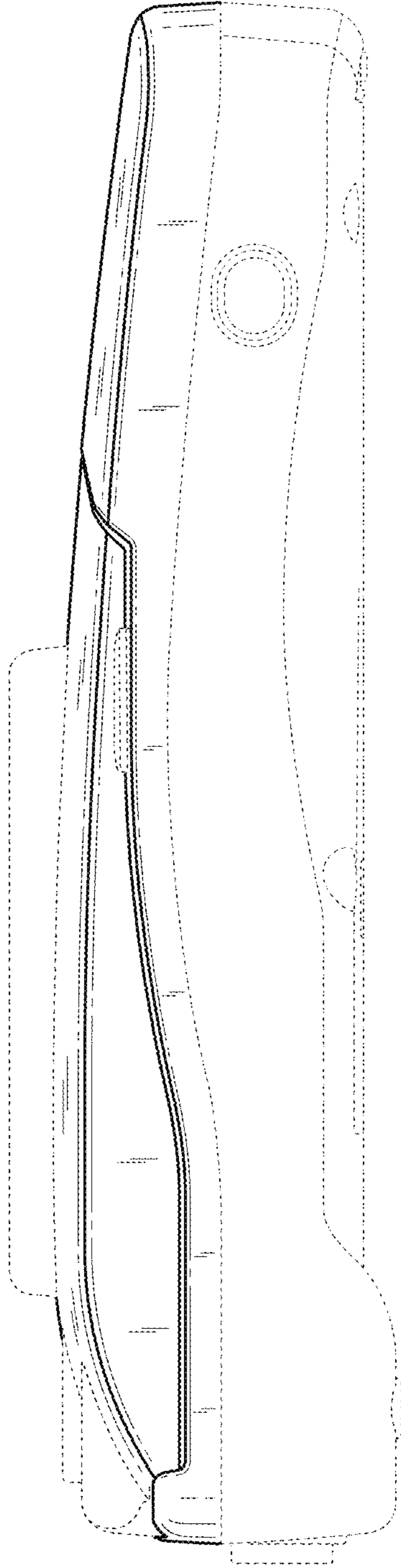


Fig. 5

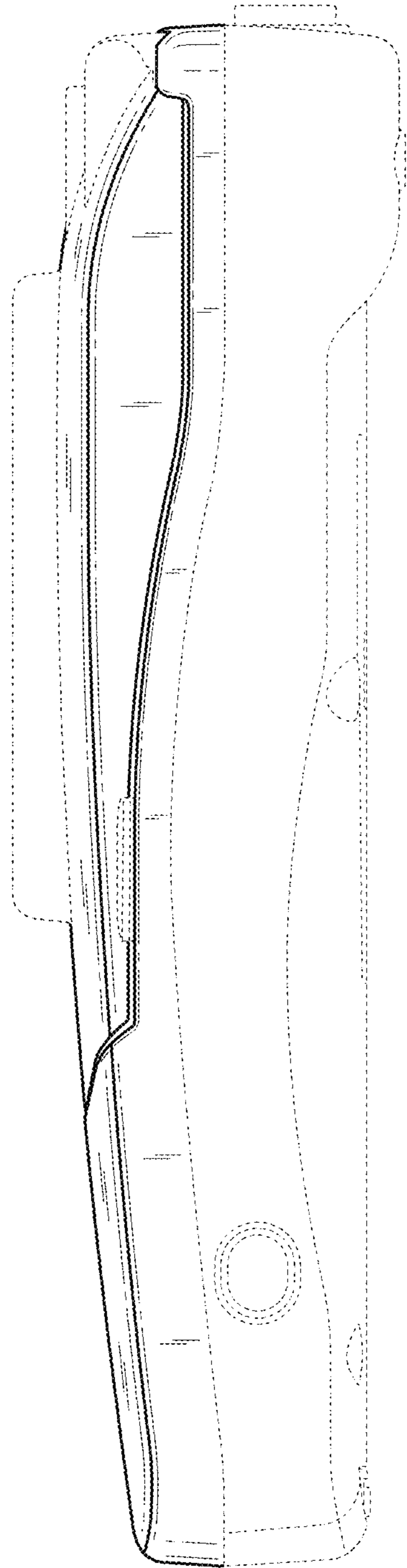


Fig. 6

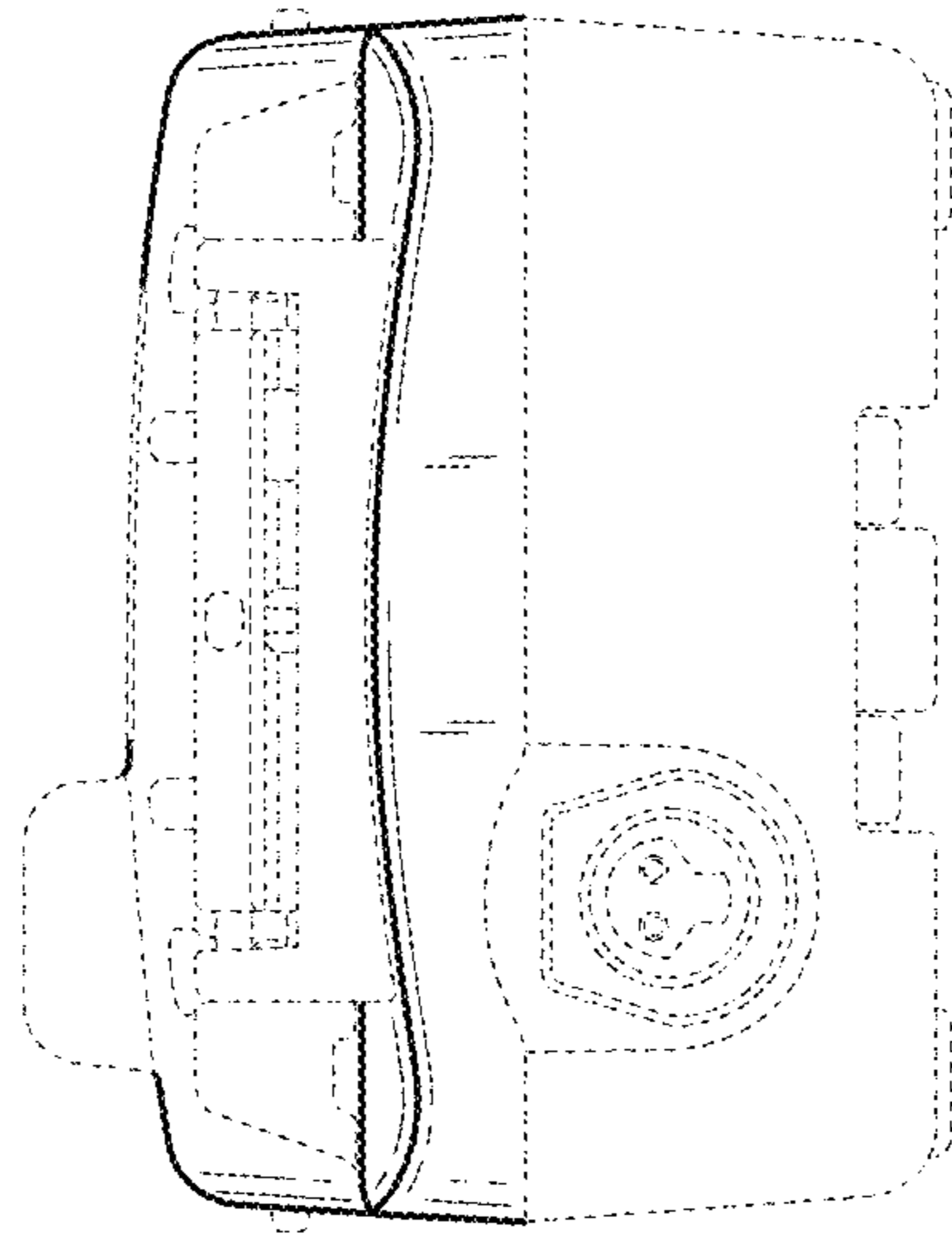


Fig. 7

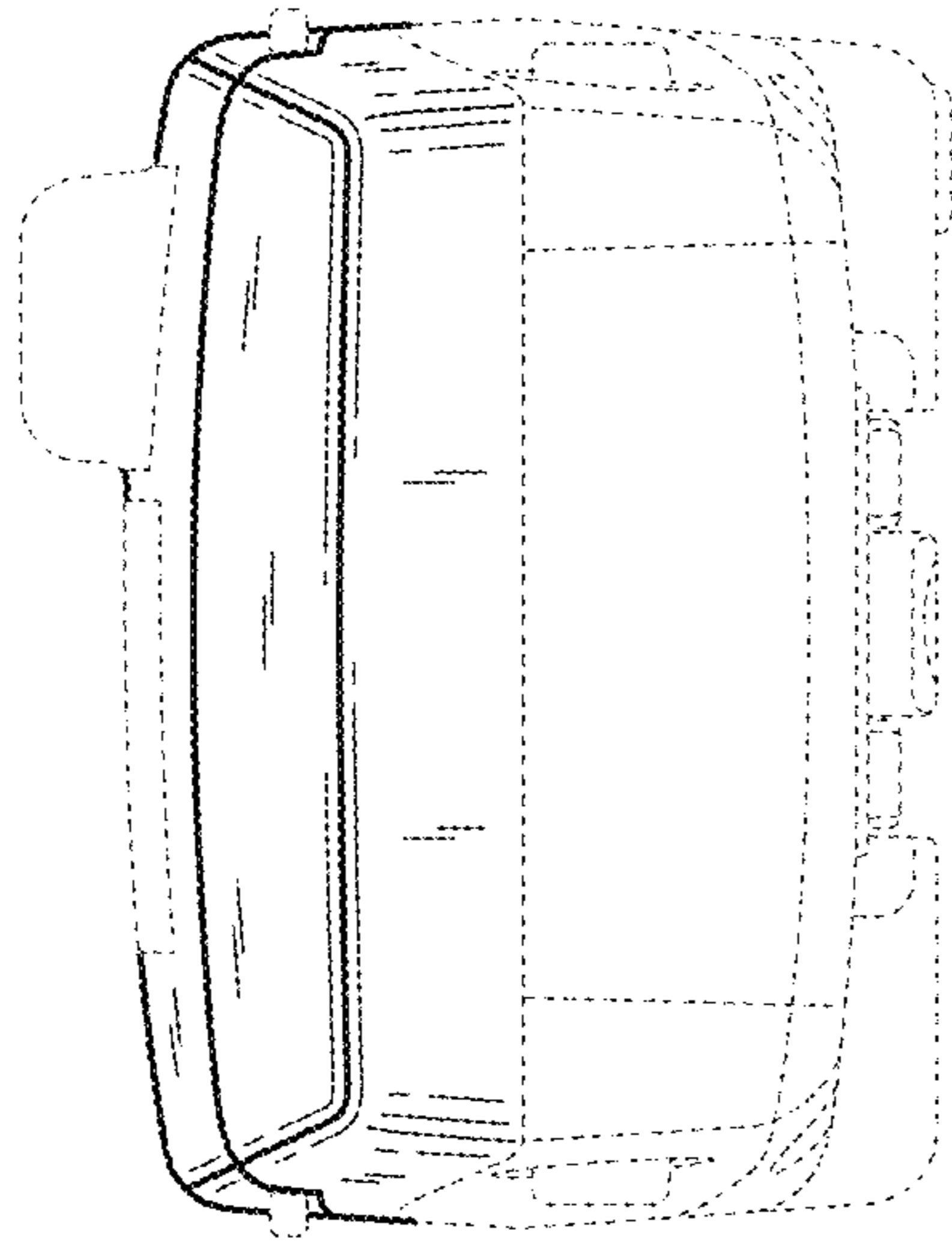


Fig. 8

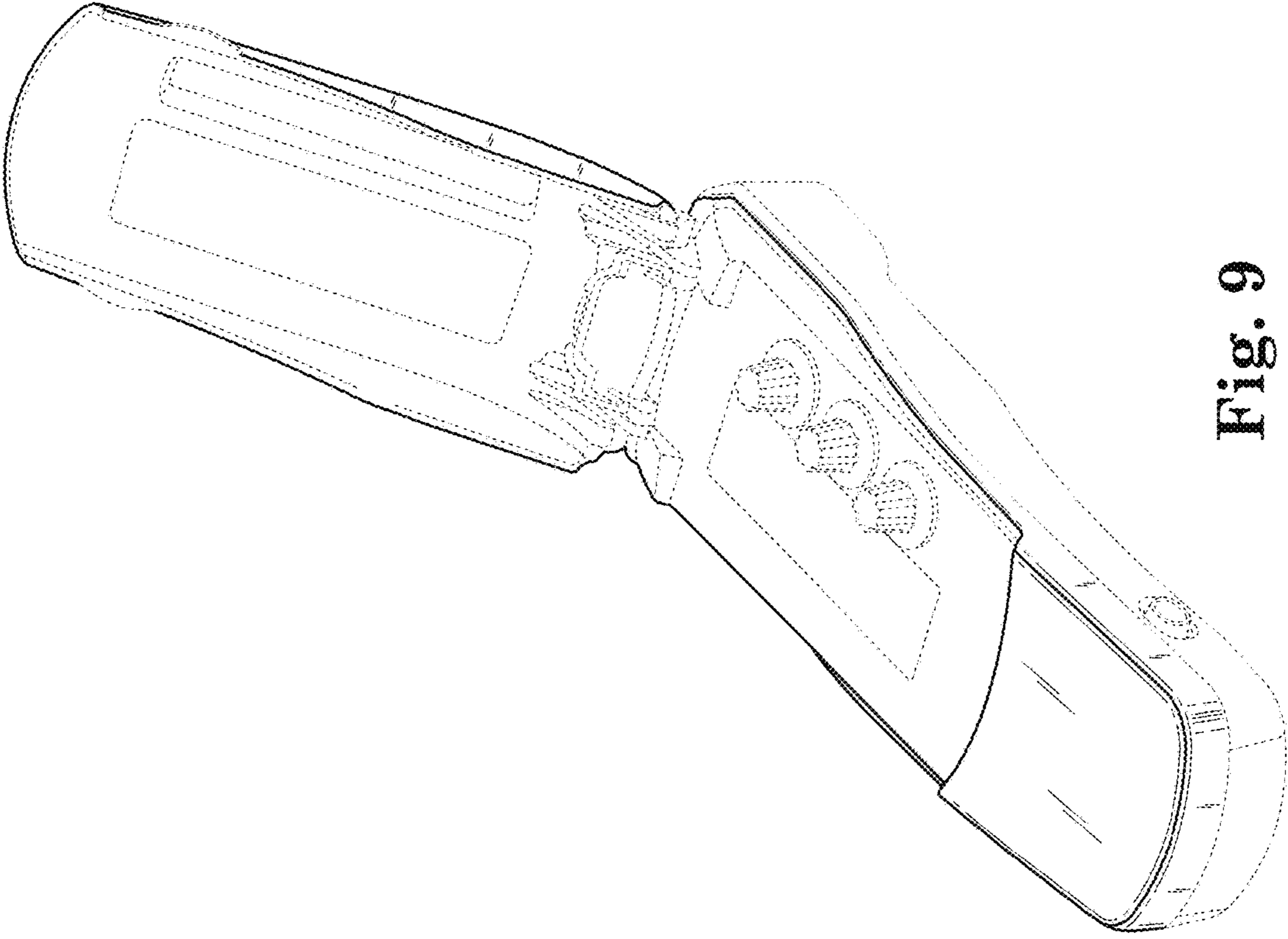


Fig. 9

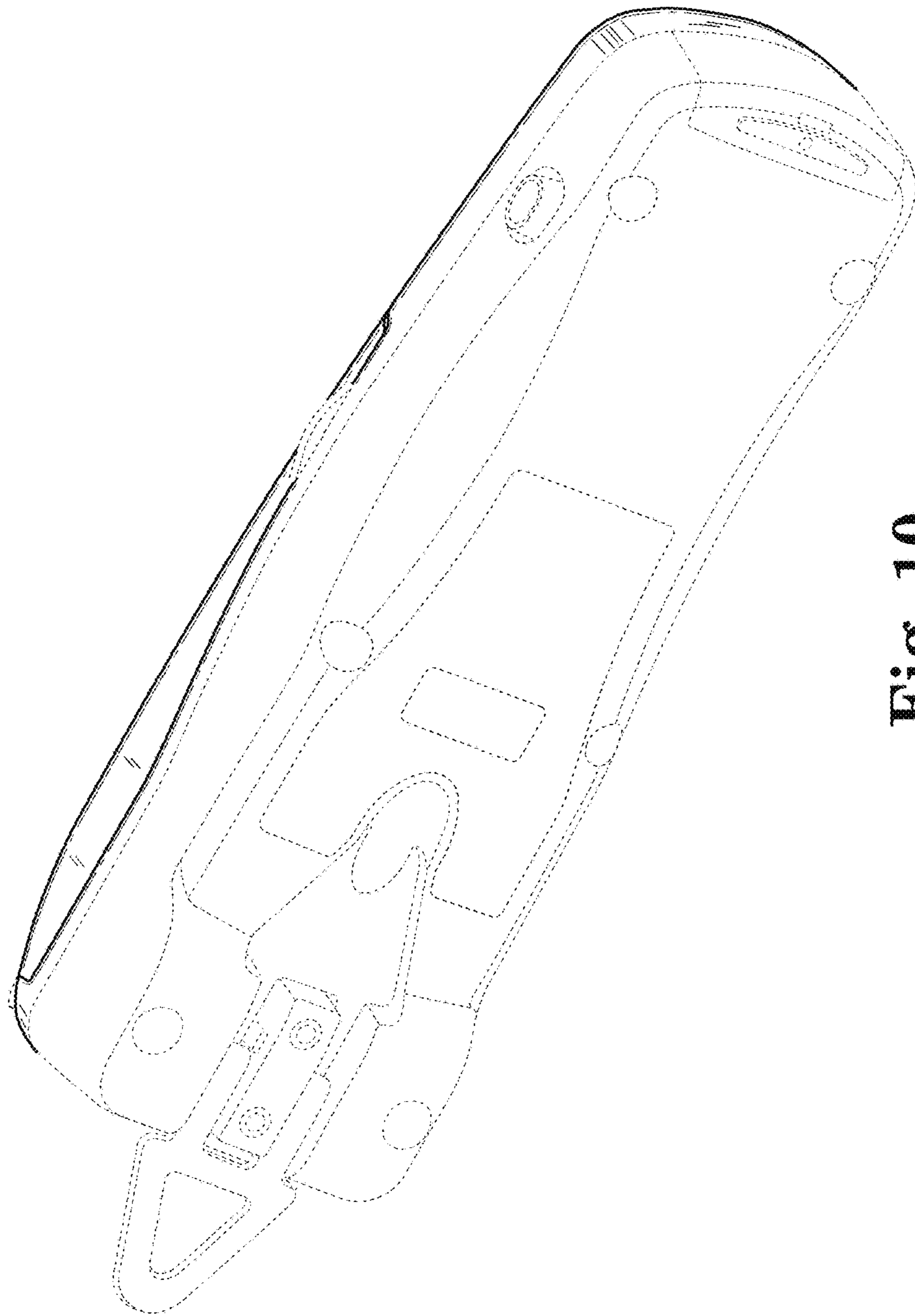


Fig. 10