



US00D775357S

(12) **United States Design Patent** (10) **Patent No.:** **US D775,357 S**
Culham et al. (45) **Date of Patent:** **** Dec. 27, 2016**

(54) **OPHTHALMIC LENS**
(71) Applicant: **Sensor International, LLC**, Maple Valley, WA (US)
(72) Inventors: **Louise Culham**, Maple Valley, WA (US); **Gregory Heacock**, Maple Valley, WA (US)
(73) Assignee: **KATENA PRODUCTS, INC.**, Denville, NJ (US)
(**) Term: **15 Years**

5,673,097 A * 9/1997 Heacock A61B 3/1025
351/215
5,784,147 A * 7/1998 Volk A61B 3/125
351/205
D434,498 S * 11/2000 Mueller D24/172
D434,851 S * 12/2000 Mueller D24/172
D438,621 S * 3/2001 Mueller D24/172
RE37,298 E * 7/2001 Volk A61B 3/125
D24/172
D462,442 S * 9/2002 Webb D24/133
D609,048 S * 2/2010 Yeh D7/387
D688,374 S * 8/2013 Kweon D10/64
D704,831 S * 5/2014 Buck D24/128
D754,861 S * 4/2016 O'Driscoll D16/101
D761,621 S * 7/2016 Hsu D7/501

(Continued)

(21) Appl. No.: **29/542,310**
(22) Filed: **Oct. 13, 2015**
(51) **LOC (10) Cl.** **24-00**
(52) **U.S. Cl.**
USPC **D24/172**
(58) **Field of Classification Search**
USPC D24/170-172, 133, 128, 218; D7/387,
D7/501; D10/64; D16/101; 351/219, 214,
205, 351/215
CPC A61B 31/117; A61B 3/132; A61B 3/12;
A61B 3/125; A61B 3/1025
See application file for complete search history.

OTHER PUBLICATIONS

Sensor Medical Technology Bi-Aspheric Lenses postcard (dated Jul. 2014), available at <http://sensormedtech.com/wp/wp-content/uploads/bi-aspheric-lens-postcard.pdf>.

(Continued)

Primary Examiner — Rhea Shields
(74) *Attorney, Agent, or Firm* — McAndrews, Held & Malloy, Ltd.

(57) **CLAIM**

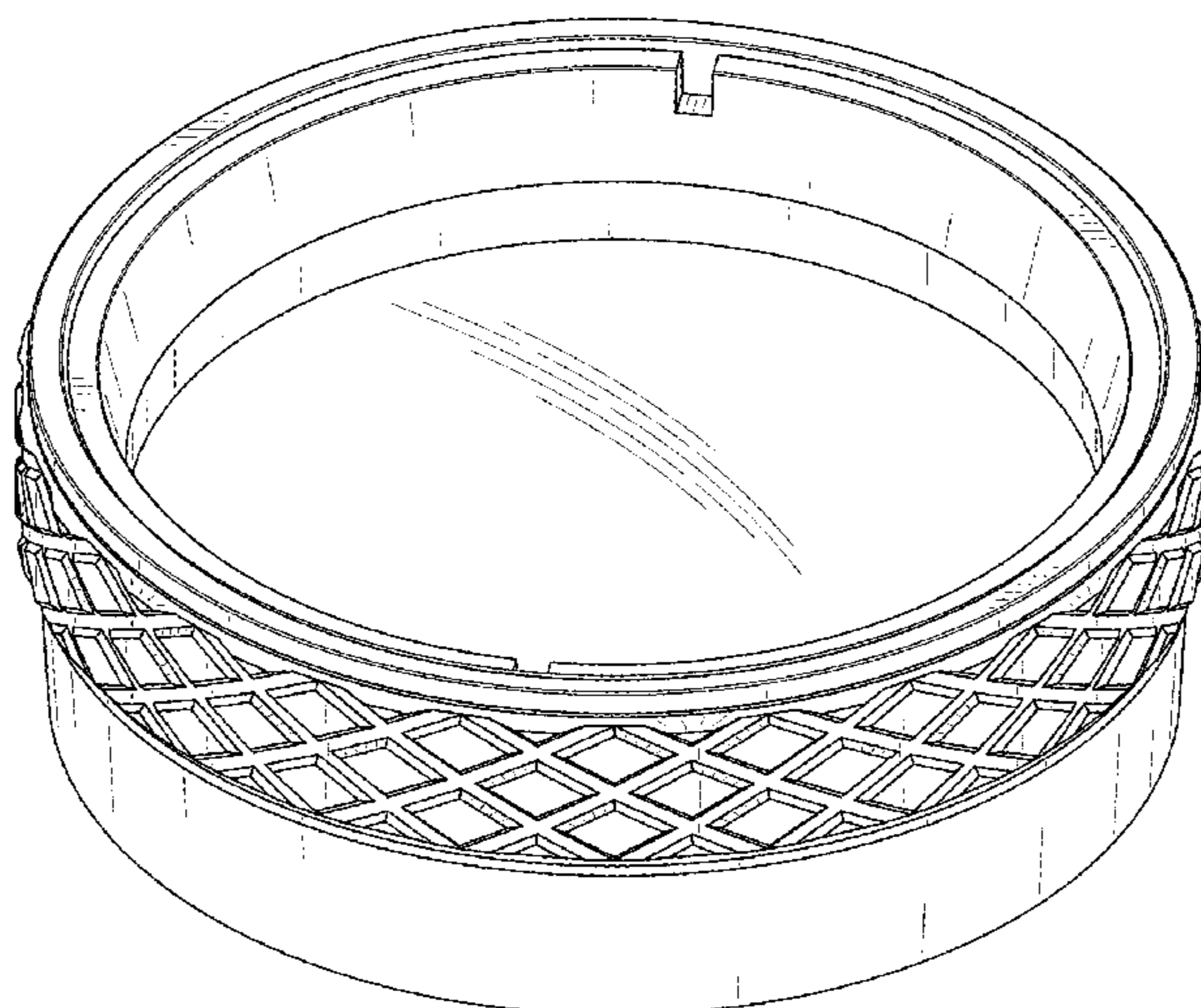
The ornamental design for an ophthalmic lens, as shown and described.

DESCRIPTION

FIG. 1 is a top perspective view of an ophthalmic lens showing our new design;
FIG. 2 is a front elevation view thereof;
FIG. 3 is a rear elevation view thereof;
FIG. 4 is a left-side elevation view thereof;
FIG. 5 is a right-side elevation view thereof;
FIG. 6 is a top plan view thereof; and,
FIG. 7 is a bottom plan view thereof.

1 Claim, 5 Drawing Sheets

(56) **References Cited**
U.S. PATENT DOCUMENTS
D289,923 S * 5/1987 Hoogesteger D24/218
4,801,198 A * 1/1989 Heacock A61B 3/132
351/214
4,913,545 A * 4/1990 Volk A61B 3/12
351/205
D325,443 S * 4/1992 Jermyn D24/218
5,255,025 A * 10/1993 Volk A61B 3/125
351/205
D357,319 S * 4/1995 Volk D24/172
5,589,896 A * 12/1996 Mainster A61B 3/125
351/205



(56)

References Cited

U.S. PATENT DOCUMENTS

2012/0113392 A1* 5/2012 Heacock A61B 3/117
351/219

OTHER PUBLICATIONS

Sensor Medical Technology Sterile Bi-Aspheric Lenses postcard (dated Jul. 2014), available at <http://sensormedtech.com/wp/wp-content/uploads/sterile-bi-aspheric-postcard.pdf>.

Strong Vision Technology 20D Diopter Lenses (accessed May 24, 2016), available at <http://www.strongvisiontech.com/en/httpwwwstrongvisiontechcomen20d-lens-20-diopter-condensing-lens-1-1-1-1>.

Strong Vision Technology A 20D Lens with a true steam sterilizable coating (accessed May 24, 2016), available at <http://www.strongvisiontech.com/en/httpwwwstrongvisiontechcomen20d-surgical-lens-fully-sterilizable>.

Volk product catalog (dated Mar. 18, 2013), available at http://www.dfv.com.au/downloads_2014/volkcatalog%202014_.pdf.

* cited by examiner

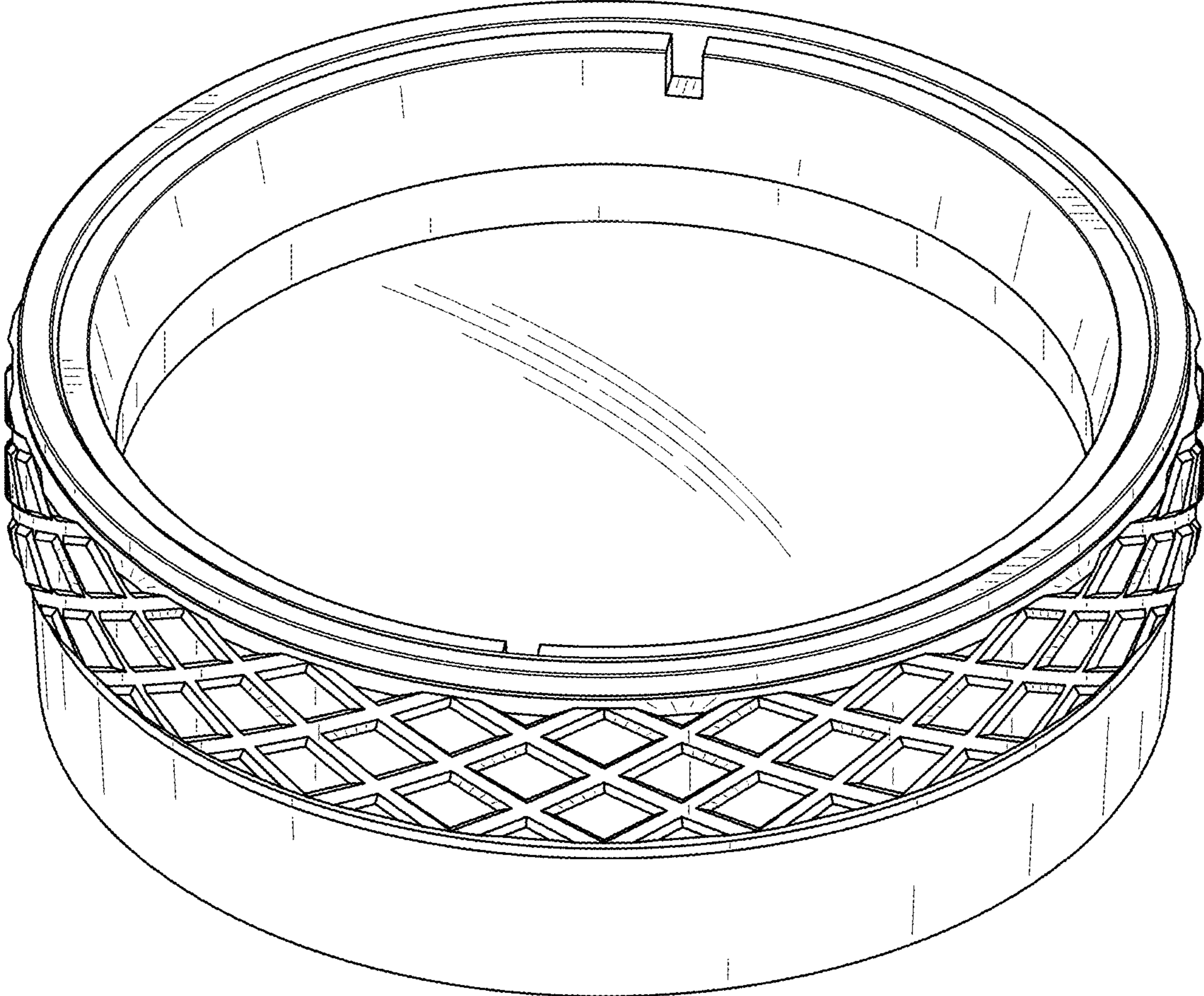


FIG. 1

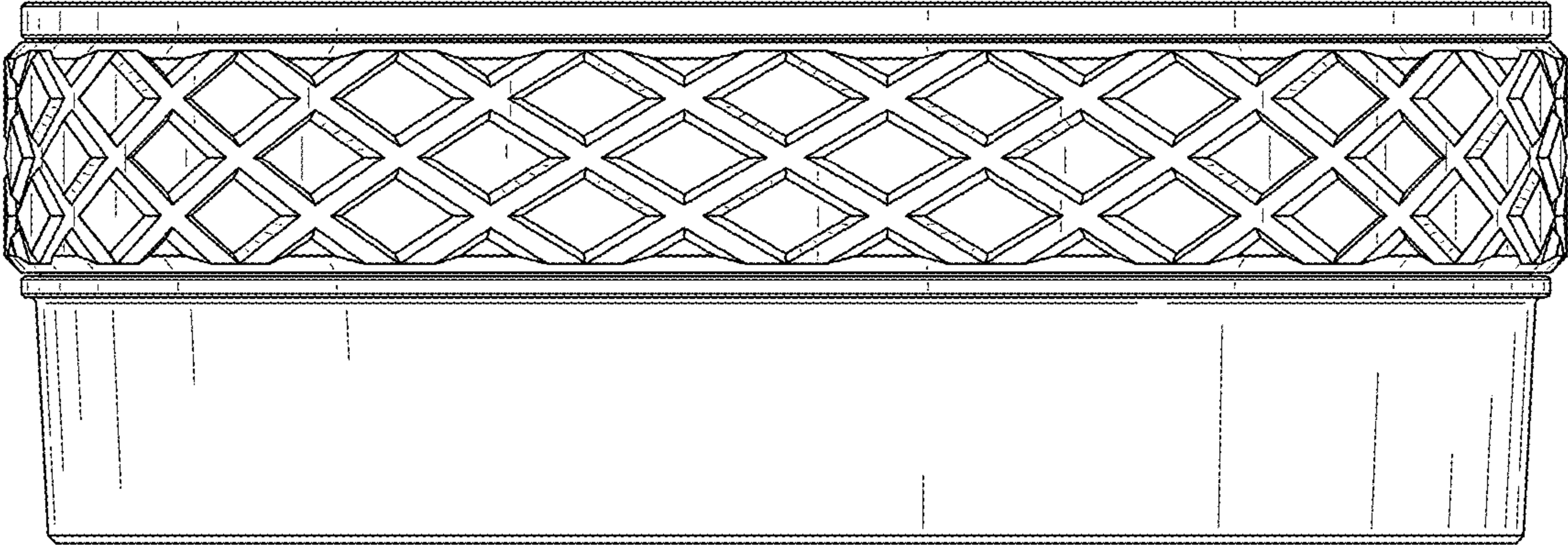


FIG. 2

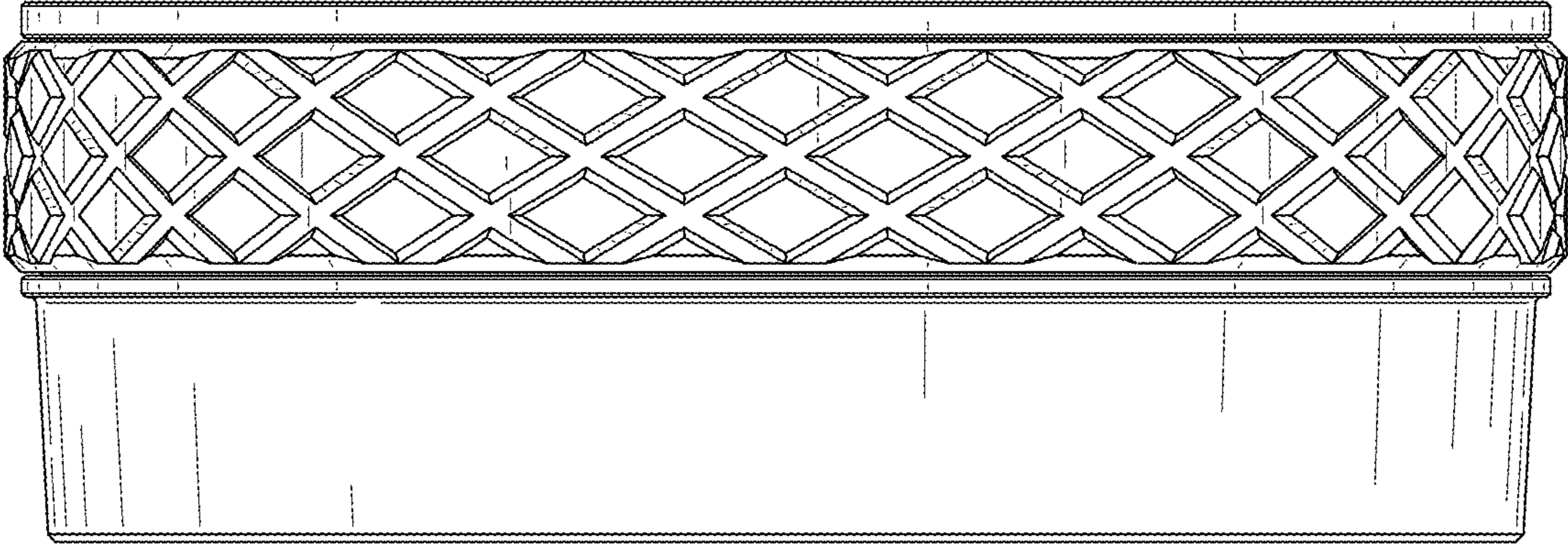


FIG. 3

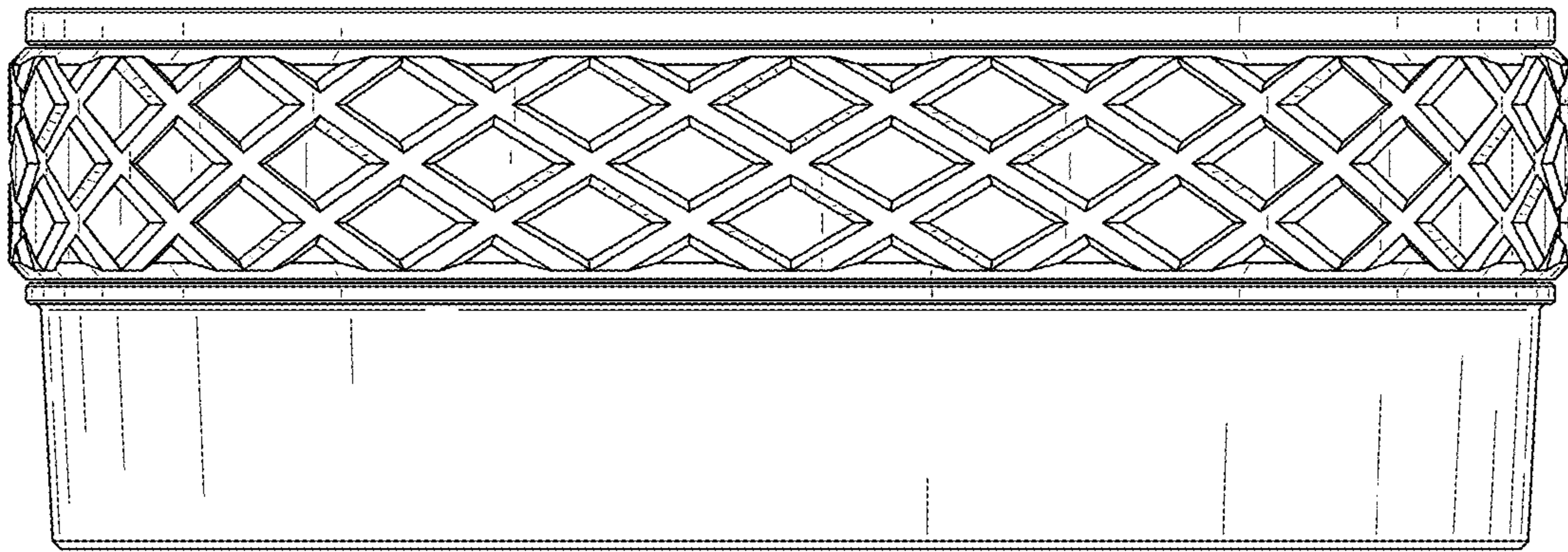


FIG. 4

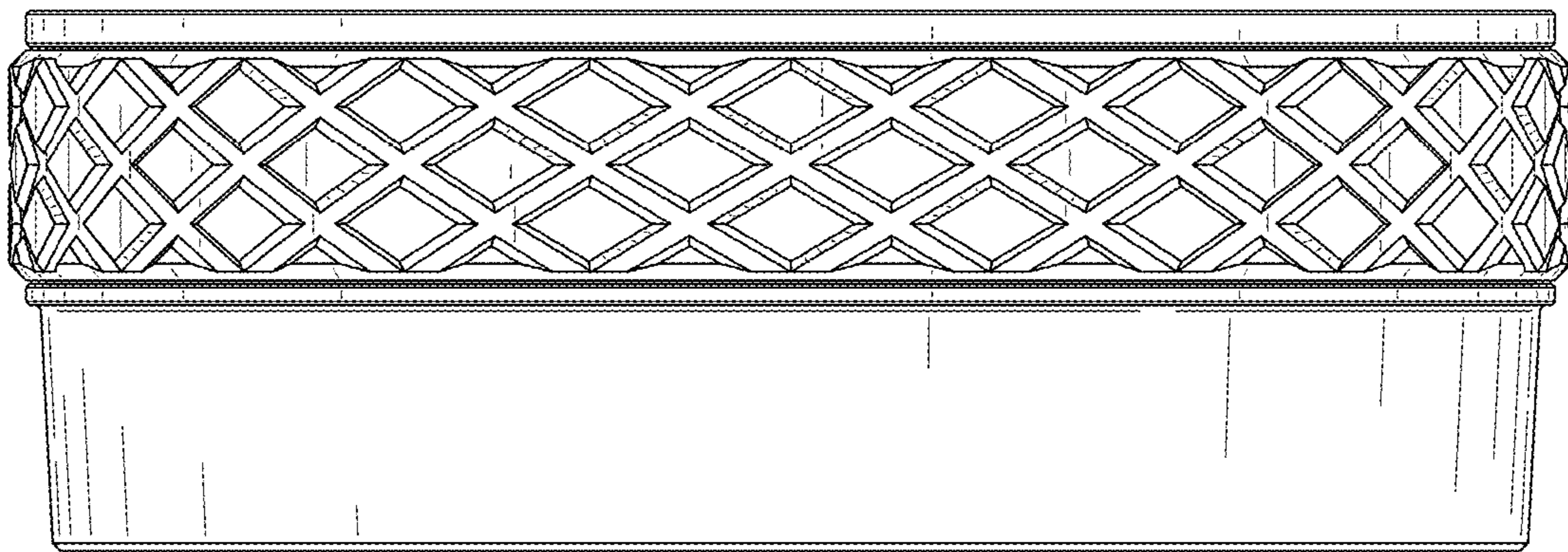


FIG. 5

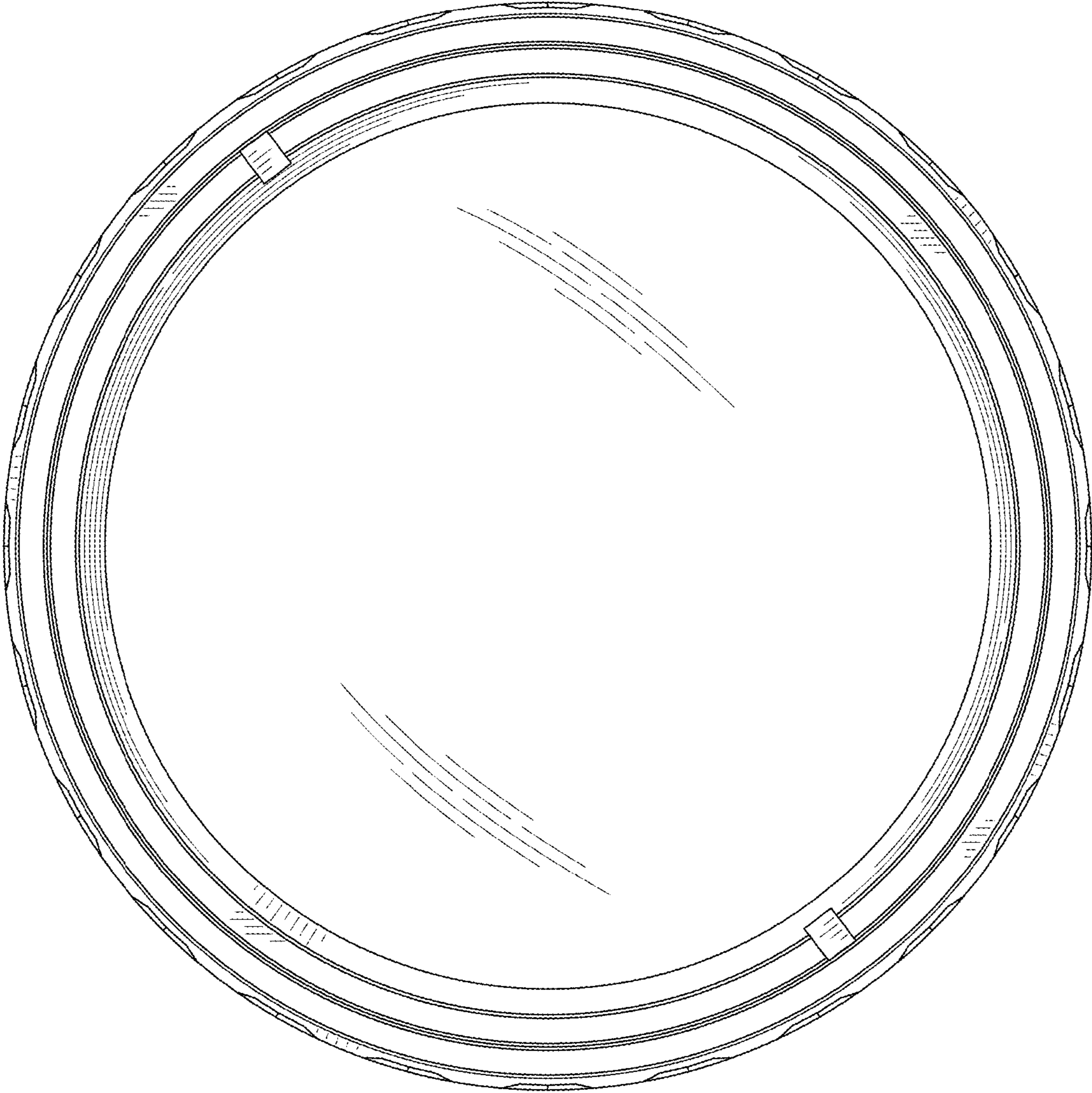


FIG. 6

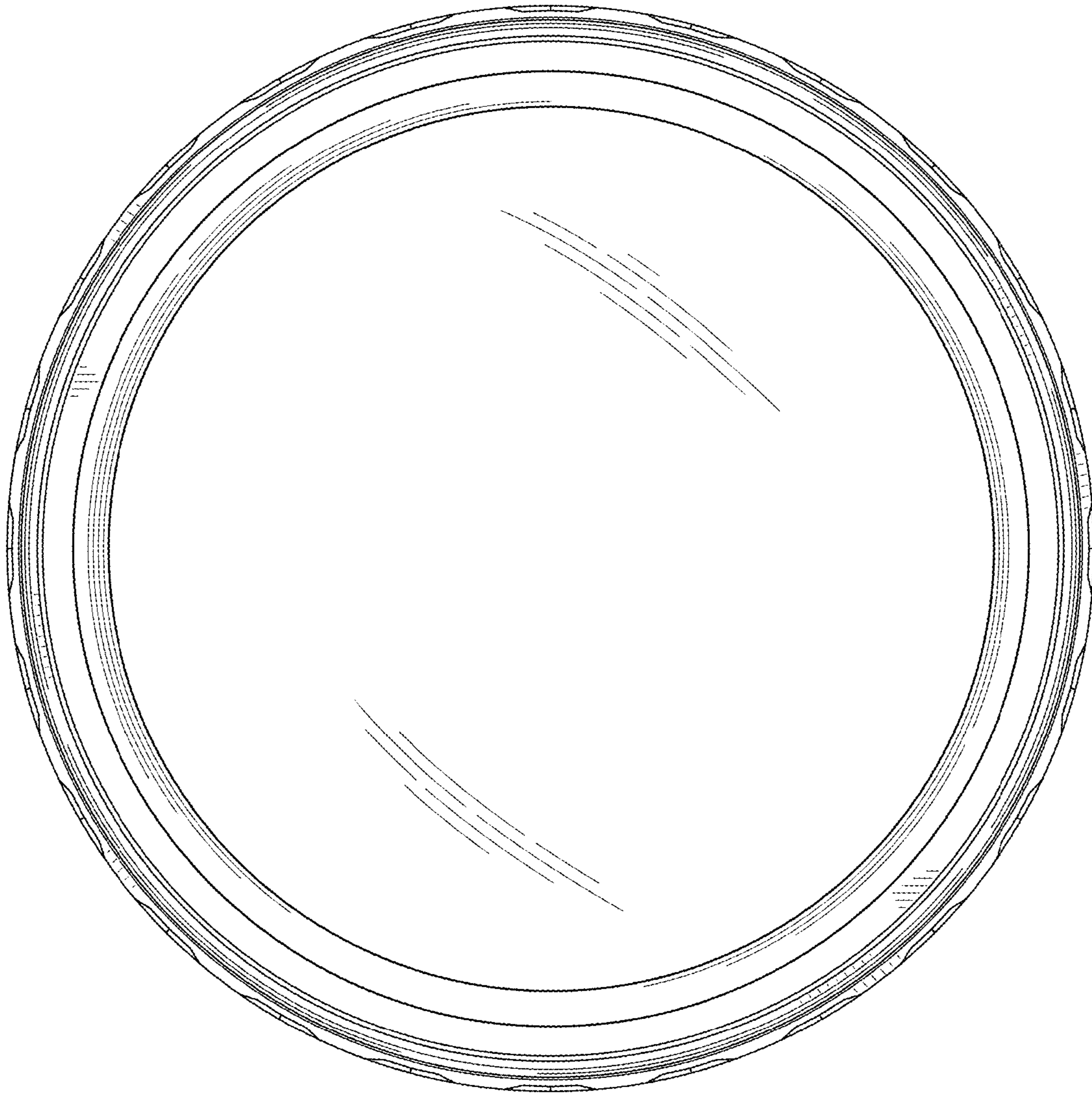


FIG. 7