



US00D775356S

(12) **United States Design Patent**  
**Zhou et al.**

(10) **Patent No.:** **US D775,356 S**  
(45) **Date of Patent:** **\*\* Dec. 27, 2016**

(54) **INSTRUMENT FOR MEASURING OPTICAL WAVE FRONT**

D436,665 S \* 1/2001 Becker ..... D24/172  
D472,637 S \* 4/2003 Cooper ..... D24/172  
6,685,320 B2 \* 2/2004 Hirohara ..... A61B 3/107  
351/212

(71) Applicant: **CLARITY MEDICAL SYSTEMS, INC.**, Pleasanton, CA (US)

(Continued)

(72) Inventors: **Yan Zhou**, Pleasanton, CA (US); **Shelly Reed**, Dublin, CA (US); **William Shea**, Pleasanton, CA (US)

*Primary Examiner* — Rhea Shields

(74) *Attorney, Agent, or Firm* — Kilpatrick Townsend & Stockton LLP

(73) Assignee: **Clarity Medical Systems, Inc.**, Pleasanton, CA (US)

(57) **CLAIM**

The ornamental design for an instrument for measuring optical wave front, as shown and described.

(\*\*) Term: **15 Years**

**DESCRIPTION**

(21) Appl. No.: **29/540,486**

(22) Filed: **Sep. 24, 2015**

(51) **LOC (10) Cl.** ..... **24-00**

(52) **U.S. Cl.**  
USPC ..... **D24/172**

(58) **Field of Classification Search**  
USPC ..... D24/170-172, 137, 160, 177; D16/131; D10/46; 351/205, 212; 356/503  
CPC ..... A61B 3/101; A61B 3/107  
See application file for complete search history.

FIG. 1 is a top-front, right side perspective view of an instrument for measuring optical wave front showing my new design;

FIG. 2 is an top-front, left side perspective view thereof;  
FIG. 3 is a bottom-front, right side perspective view thereof;  
FIG. 4 is a top-back, right side perspective view thereof;  
FIG. 5 is a top-back, left side perspective view thereof;  
FIG. 6 is a right side elevational view thereof;  
FIG. 7 is a front elevational view thereof;  
FIG. 8 is a left side elevational view thereof; and,  
FIG. 9 is a back elevational view thereof.

The submitted line drawings (FIGS. 1-9) show some additional solid lines on the instrument for measuring optical wave front, which, as is generally recognized by persons skilled in the art, are meant to convey shading or the boundaries for curved surfaces on the device, and are not meant to convey actual solidly drawn lines for actual surface markings or ornamentation.

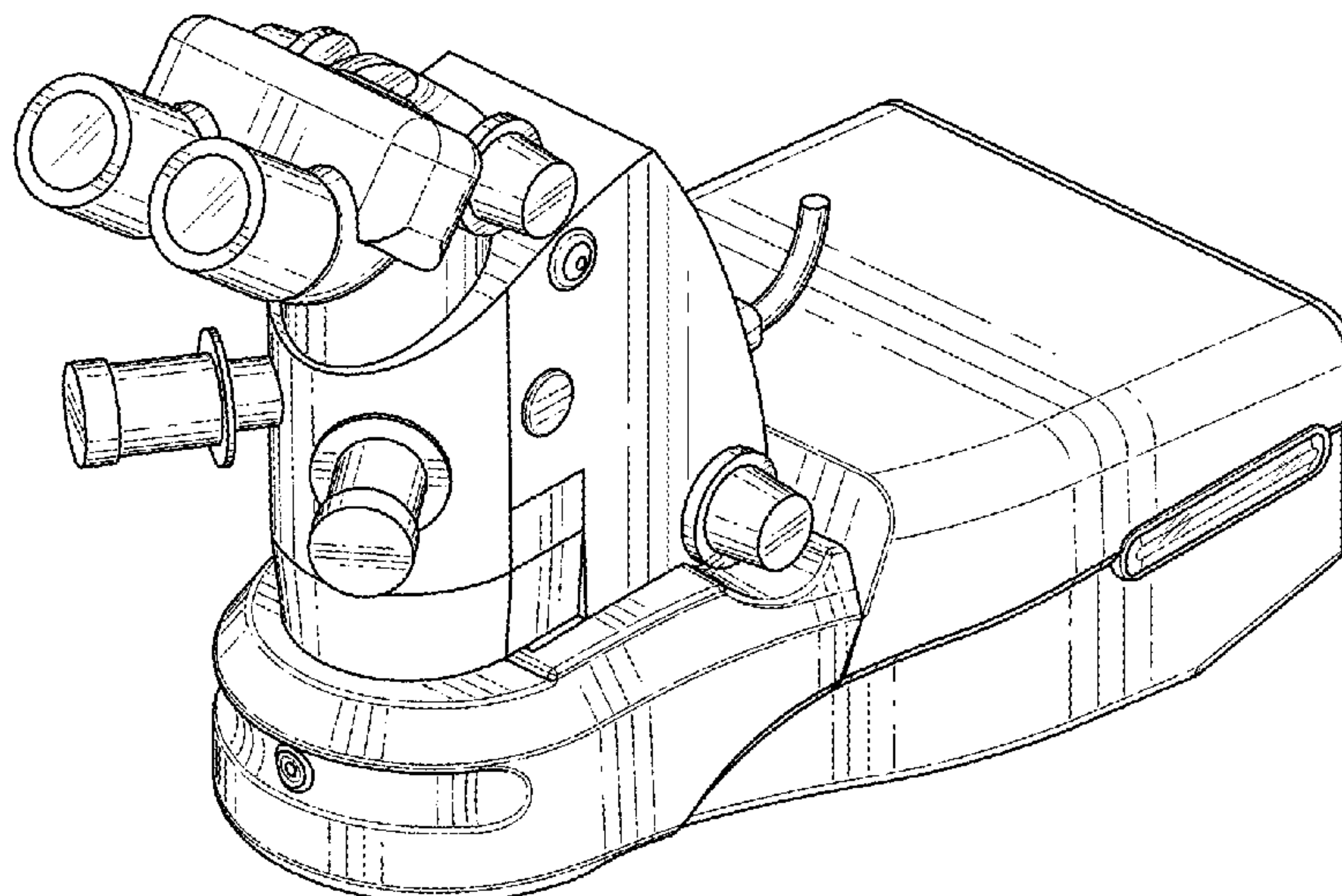
In the drawings, the broken lines are for the purpose of illustrating environment only and form no part of the claimed design.

(56) **References Cited**

**U.S. PATENT DOCUMENTS**

D320,077 S \* 9/1991 Koizumi ..... D24/172  
D360,465 S \* 7/1995 Niven ..... D24/172  
D369,112 S \* 4/1996 Luce ..... D10/46  
D390,663 S \* 2/1998 Wolf ..... D24/172  
5,719,659 A \* 2/1998 Suzuki ..... A61B 3/101  
351/205  
D394,505 S \* 5/1998 Hayashi ..... D24/172  
D394,904 S \* 6/1998 Hayashi ..... D24/172  
D427,530 S \* 7/2000 Maines ..... D10/46

**1 Claim, 9 Drawing Sheets**



(56)

**References Cited**

U.S. PATENT DOCUMENTS

D552,736 S *	10/2007	Yamaoka .....	D24/172
D595,327 S *	6/2009	Okada .....	D16/131
D607,562 S *	1/2010	Heine .....	D24/137
D614,774 S *	4/2010	Gausmann .....	D24/160
D621,050 S *	8/2010	Jamison .....	D24/177
D663,338 S *	7/2012	Okamoto .....	D16/131
D692,563 S *	10/2013	Naef .....	D24/172
D695,408 S *	12/2013	Bott .....	D24/172
2008/0316499 A1 *	12/2008	Korb .....	A61B 3/101 356/503

\* cited by examiner

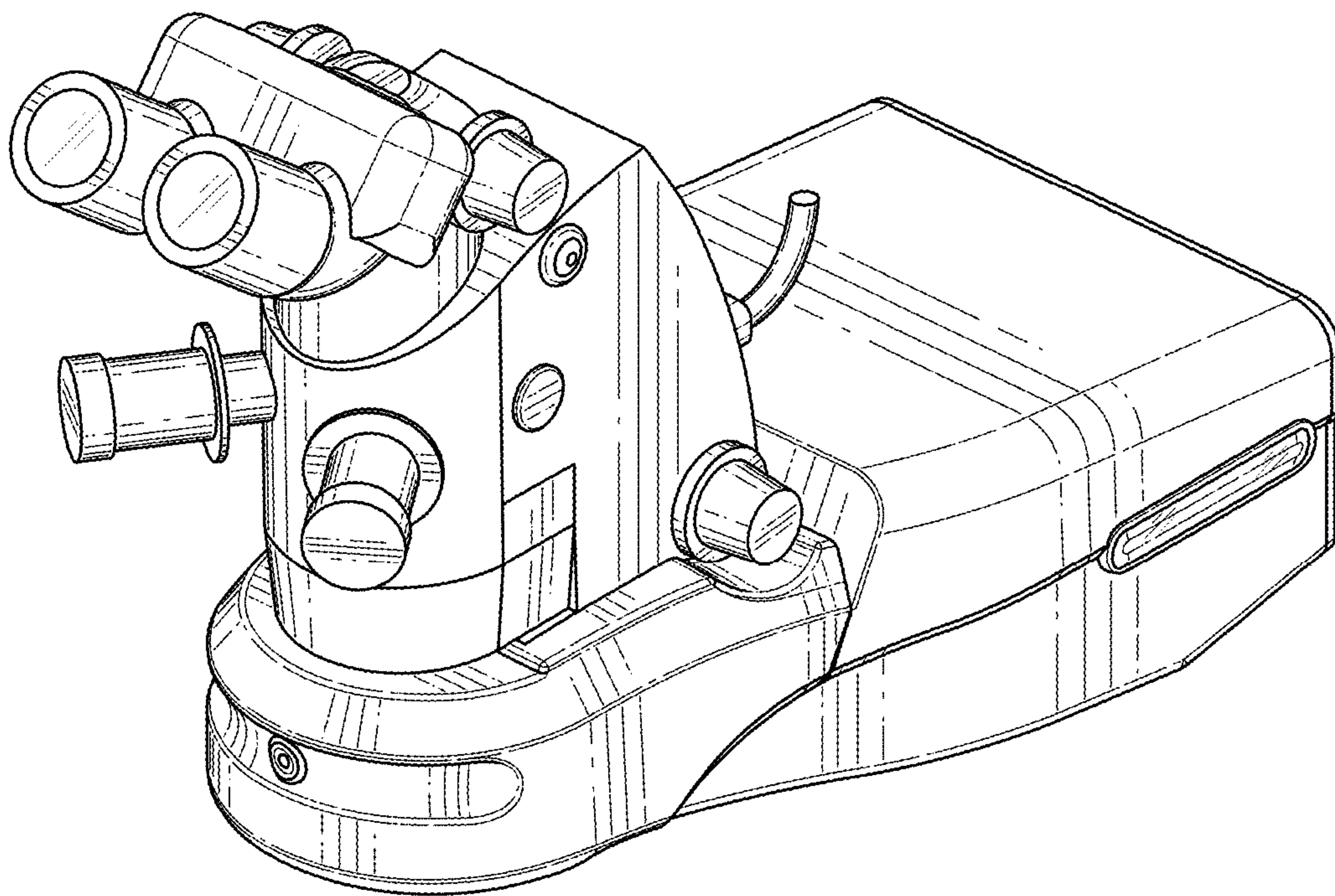


FIG. 1



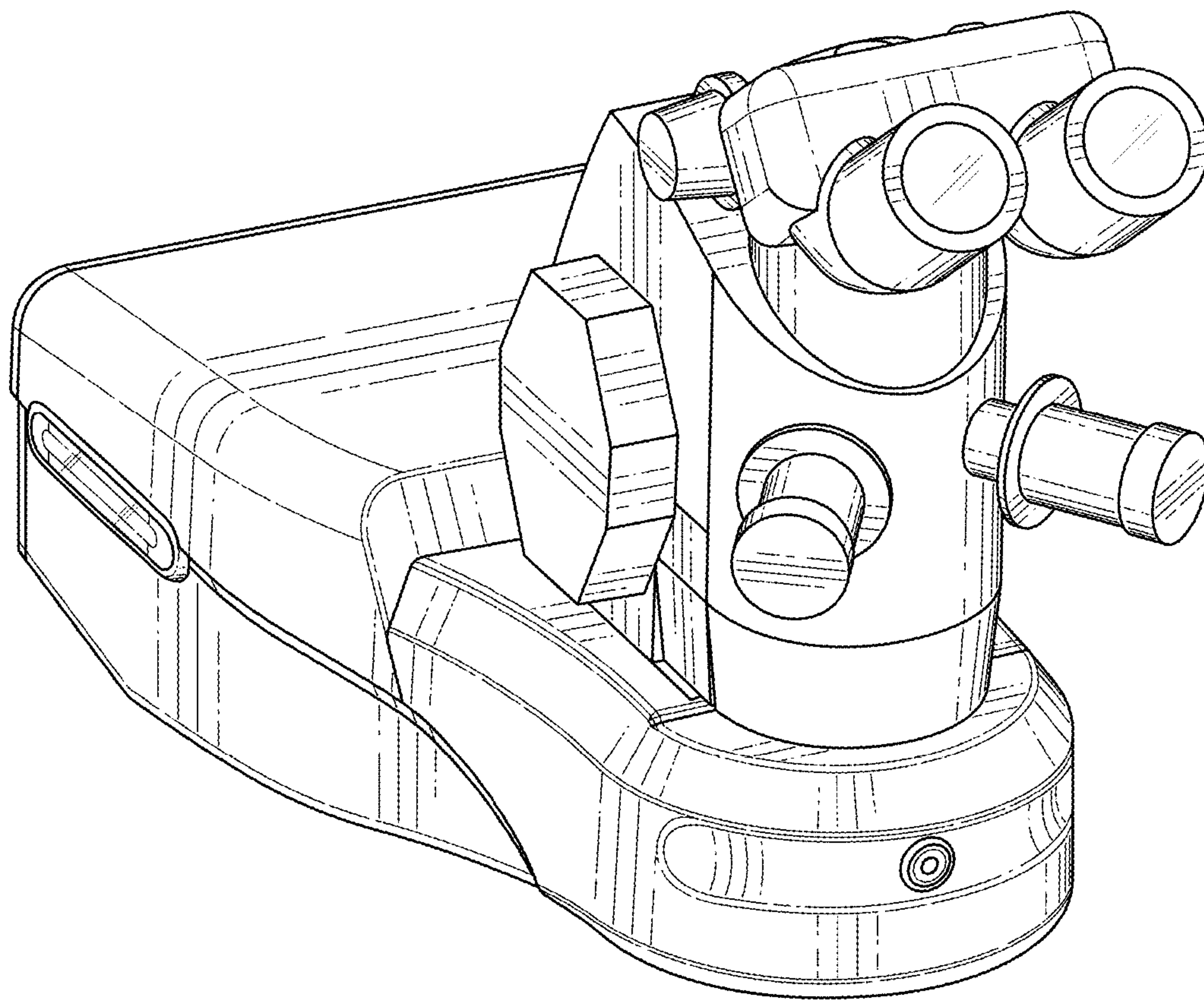


FIG. 2

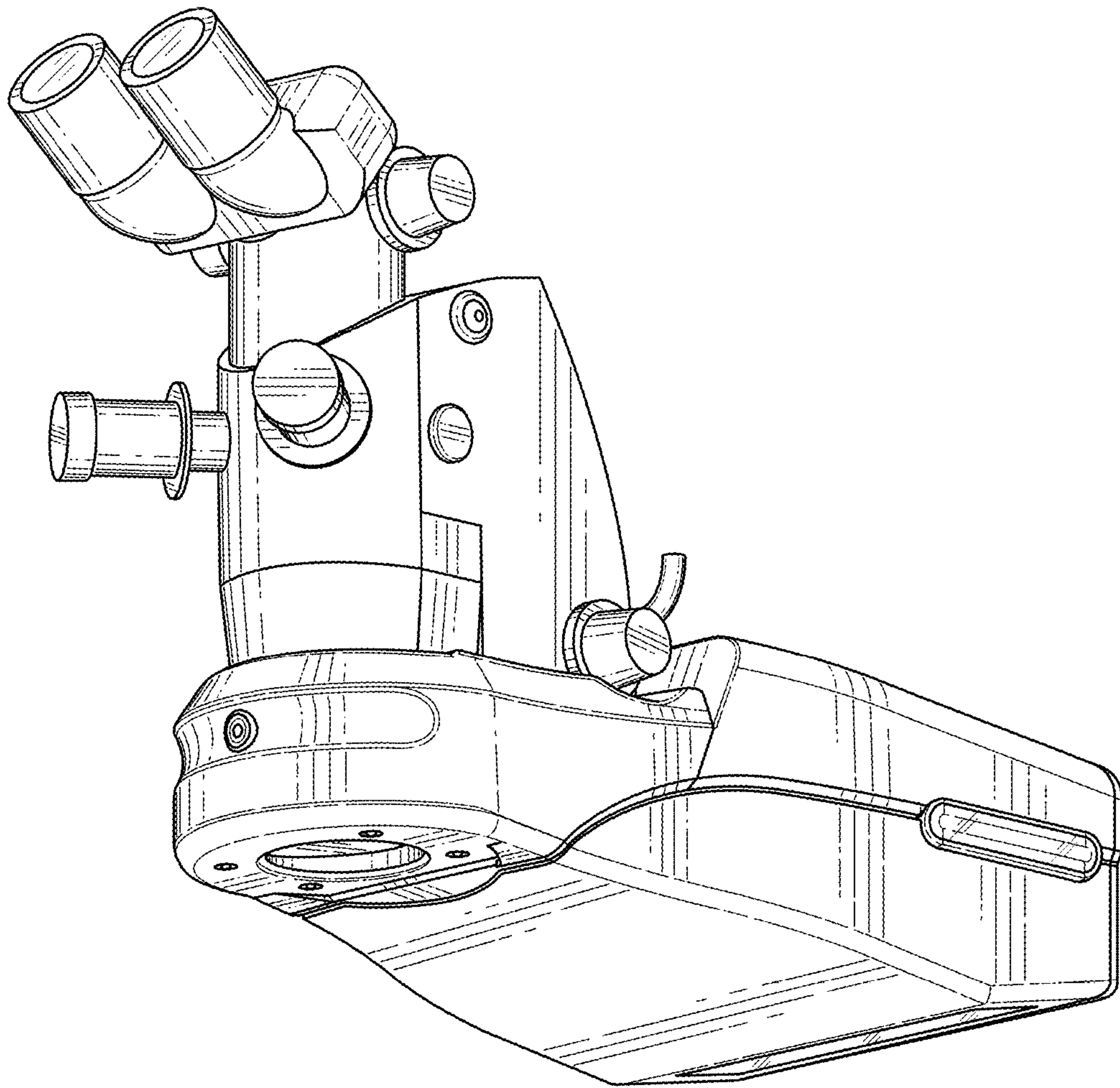


FIG. 3

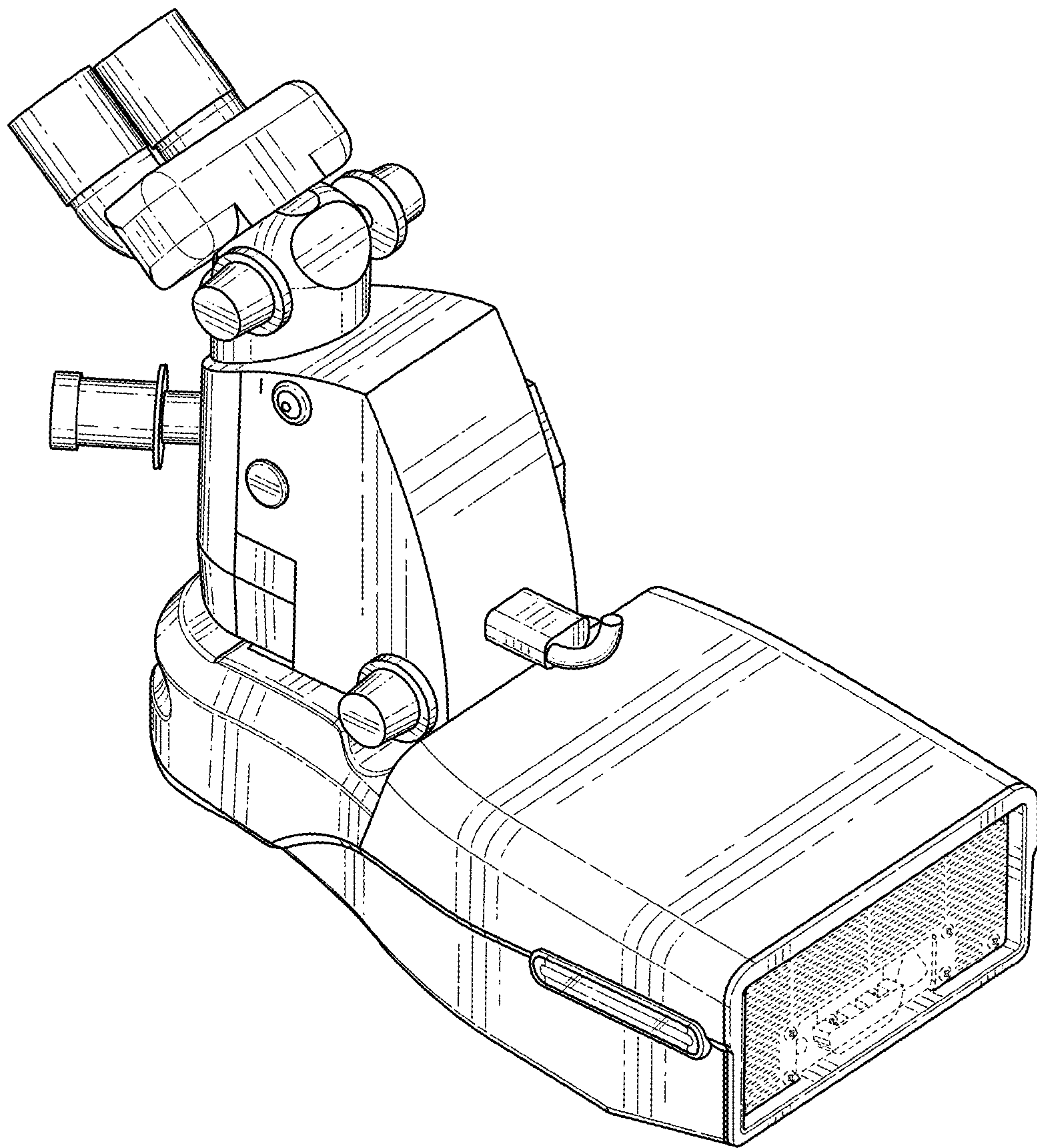


FIG. 4



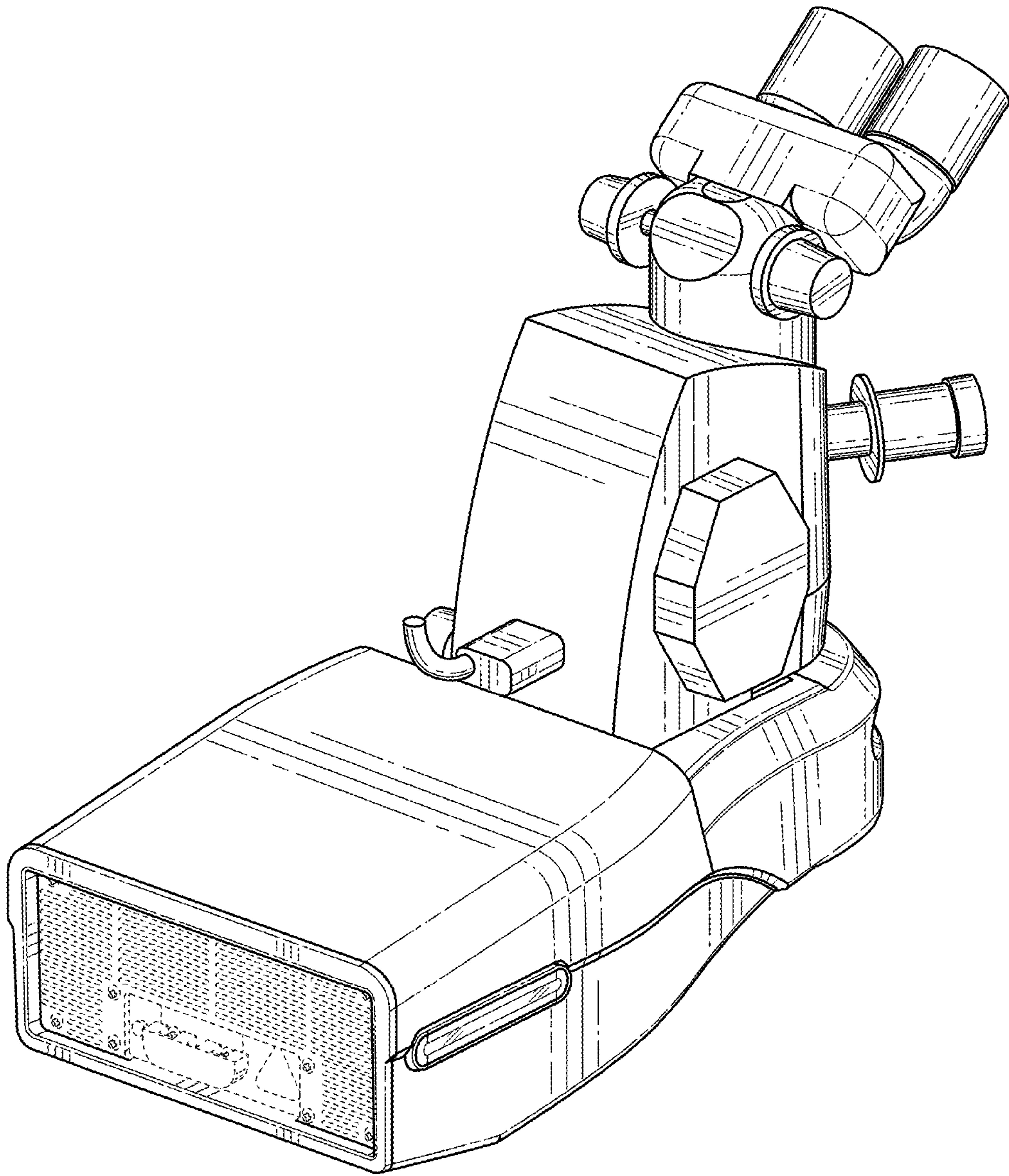


FIG. 5

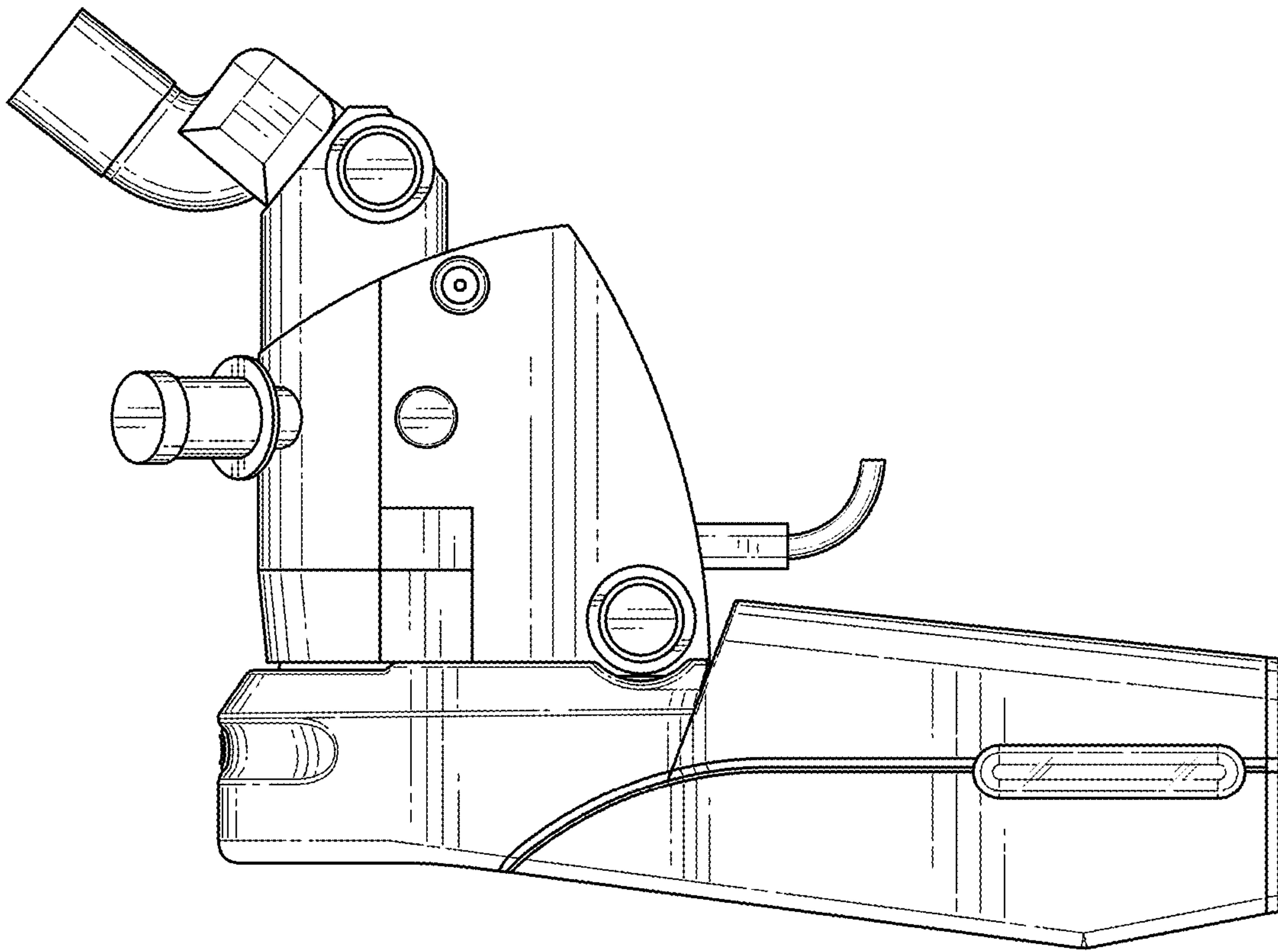


FIG. 6



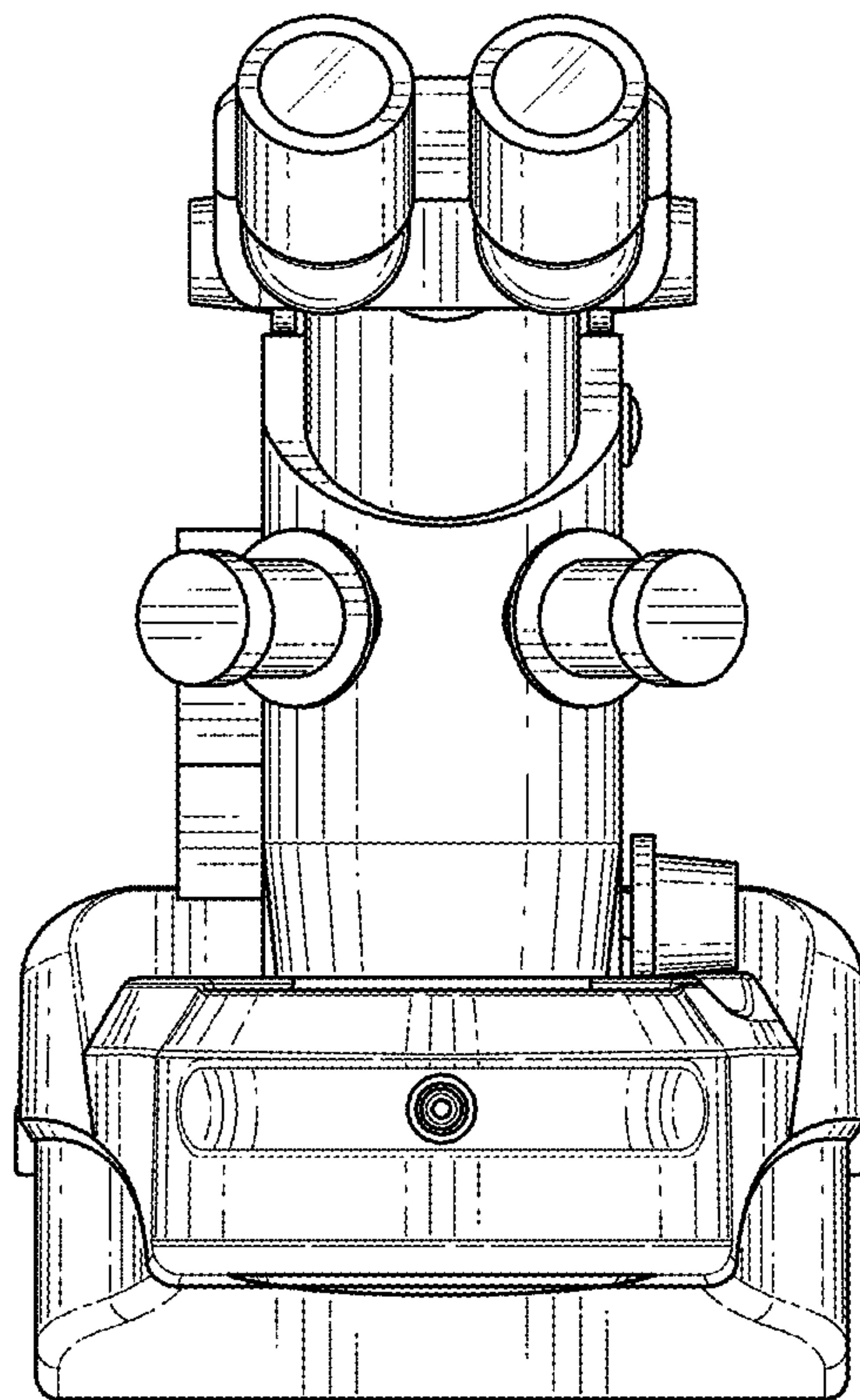


FIG. 7

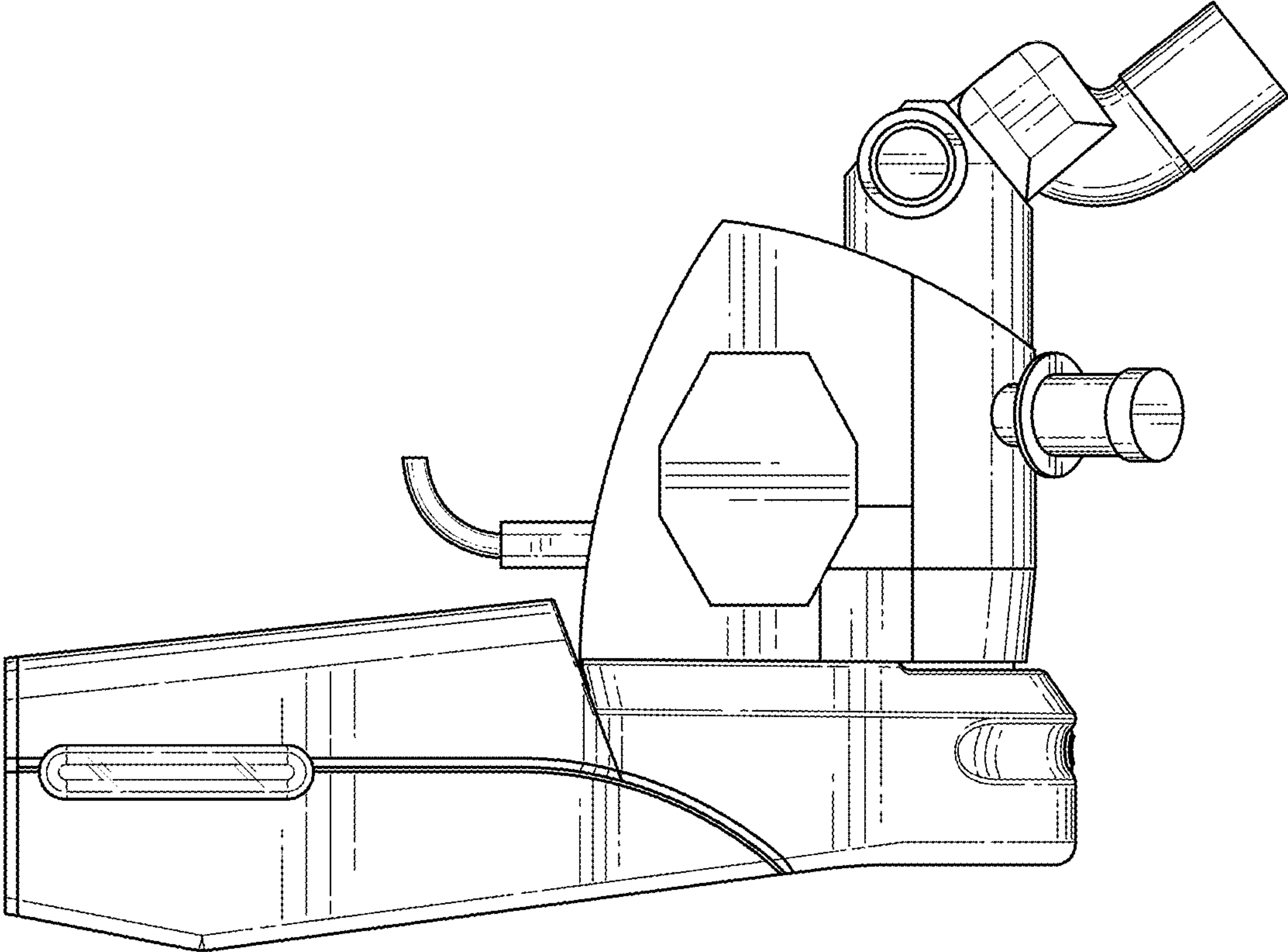


FIG. 8

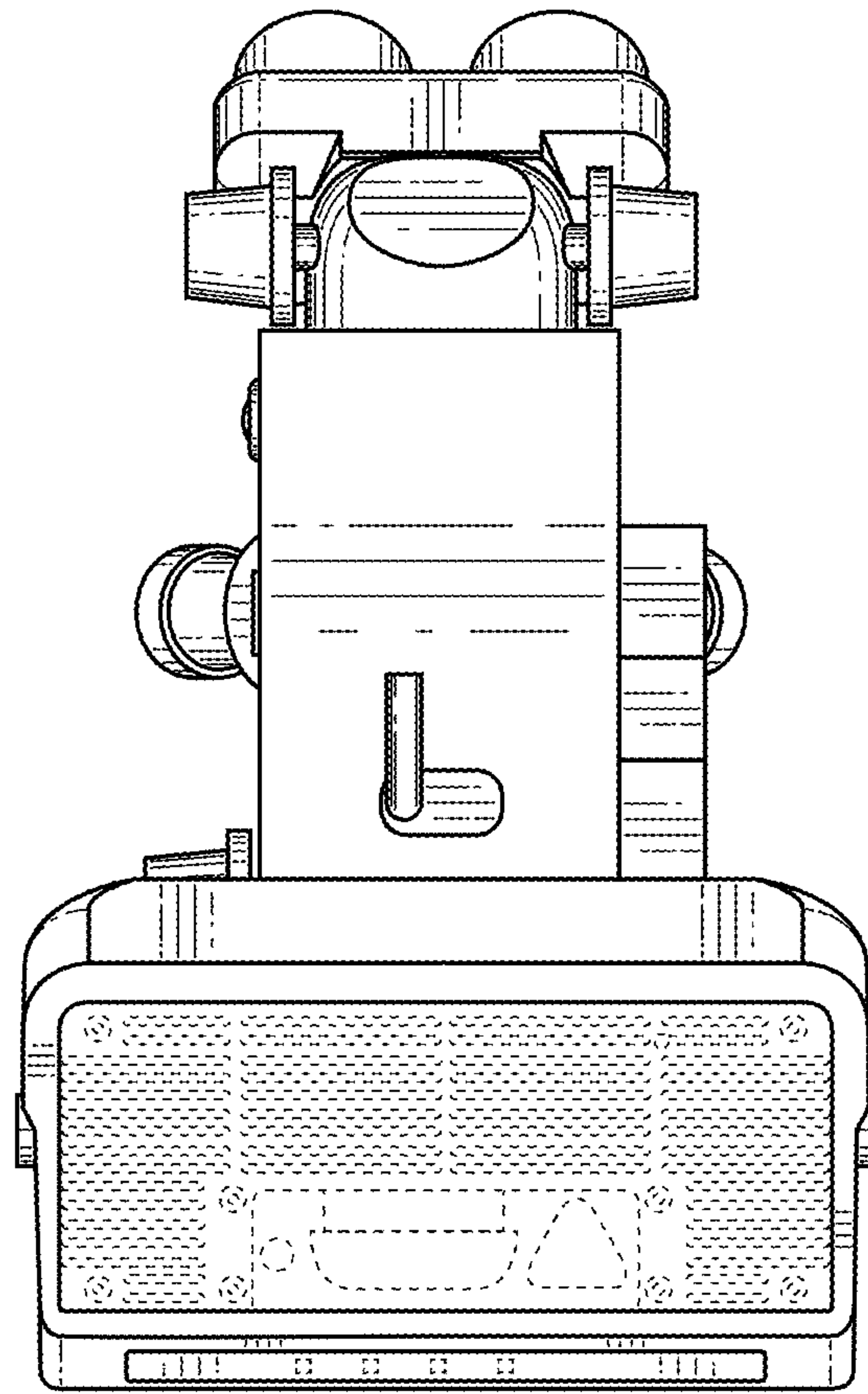


FIG. 9