



US00D775354S

(12) **United States Design Patent** (10) **Patent No.:** **US D775,354 S**
Eikanas et al. (45) **Date of Patent:** **** Dec. 27, 2016**

- (54) **FLUID RESERVOIR**
- (71) Applicant: **Optimedica Corporation**, Santa Ana, CA (US)
- (72) Inventors: **Brent Eikanas**, Brentwood, CA (US); **Carlos Castro**, San Jose, CA (US); **Christine Beltran**, East Palo Alto, CA (US); **Phillip Gooding**, Mountain View, CA (US)
- (73) Assignee: **Optimedica Corporation**, Sunnyvale, CA (US)
- (**) Term: **14 Years**
- (21) Appl. No.: **29/510,842**
- (22) Filed: **Dec. 3, 2014**
- (51) **LOC (10) Cl.** **24-00**
- (52) **U.S. Cl.**
USPC **D24/172**
- (58) **Field of Classification Search**
USPC ... D24/172, 185, 128, 108, 150; D10/104.1; 606/6; 604/290
CPC A61F 9/008; A61M 35/00
See application file for complete search history.

- RE37,298 E * 7/2001 Volk A61B 3/125
D24/172
- D462,442 S * 9/2002 Webb D24/133
- D614,774 S * 4/2010 Gausmann D24/160
- D733,300 S * 6/2015 Bennett D24/147
- 9,044,302 B2 * 6/2015 Gooding A61B 3/14
- D744,652 S * 12/2015 Bennett D24/147
- 2013/0103014 A1 * 4/2013 Gooding A61B 3/102
606/6
- 2014/0128821 A1 * 5/2014 Gooding A61M 1/0052
604/290

* cited by examiner

Primary Examiner — Rhea Shields

(74) *Attorney, Agent, or Firm* — Abbott Medical Optics Inc.

(57) **CLAIM**

The ornamental design for a fluid reservoir, as shown and described.

DESCRIPTION

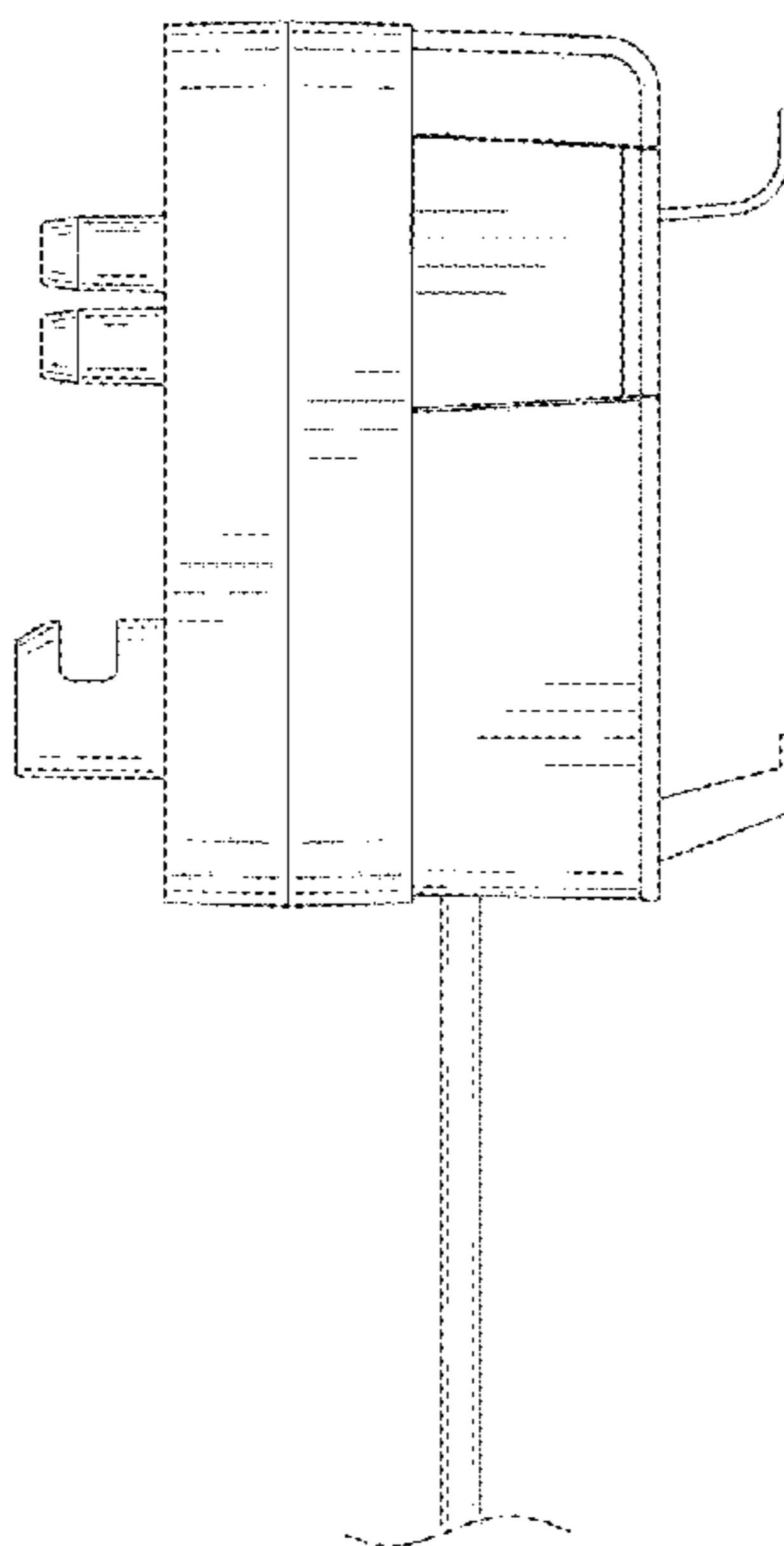
FIG. 1 is a perspective view of a fluid reservoir; showing our new design.
 FIG. 2 is a front view of the fluid reservoir;
 FIG. 3 is a rear view of the fluid reservoir;
 FIG. 4 is a right side view of the fluid reservoir, the left side view being identical;
 FIG. 5 is a top view of the fluid reservoir; and,
 FIG. 6 is a bottom view of the fluid reservoir.
 In the drawings, the dash-dot-dot-dash and dot-dot broken lines are for the purpose of illustrating environment only and form no part of the claimed design. The fluid reservoir is shown with a symbolic break in its length. The appearance of any portion of the article beyond the break line forms no part of the claimed design.

1 Claim, 3 Drawing Sheets

(56) **References Cited**

U.S. PATENT DOCUMENTS

- D357,319 S * 4/1995 Volk D24/172
- D363,778 S * 10/1995 Cane D24/129
- D393,070 S * 3/1998 Gosnell D24/172
- D422,079 S * 3/2000 Yavitz D24/128
- D429,175 S * 8/2000 Ha D10/104.1
- D434,498 S * 11/2000 Mueller D24/172
- D434,851 S * 12/2000 Mueller D24/172
- D439,655 S * 3/2001 Chandler D24/108



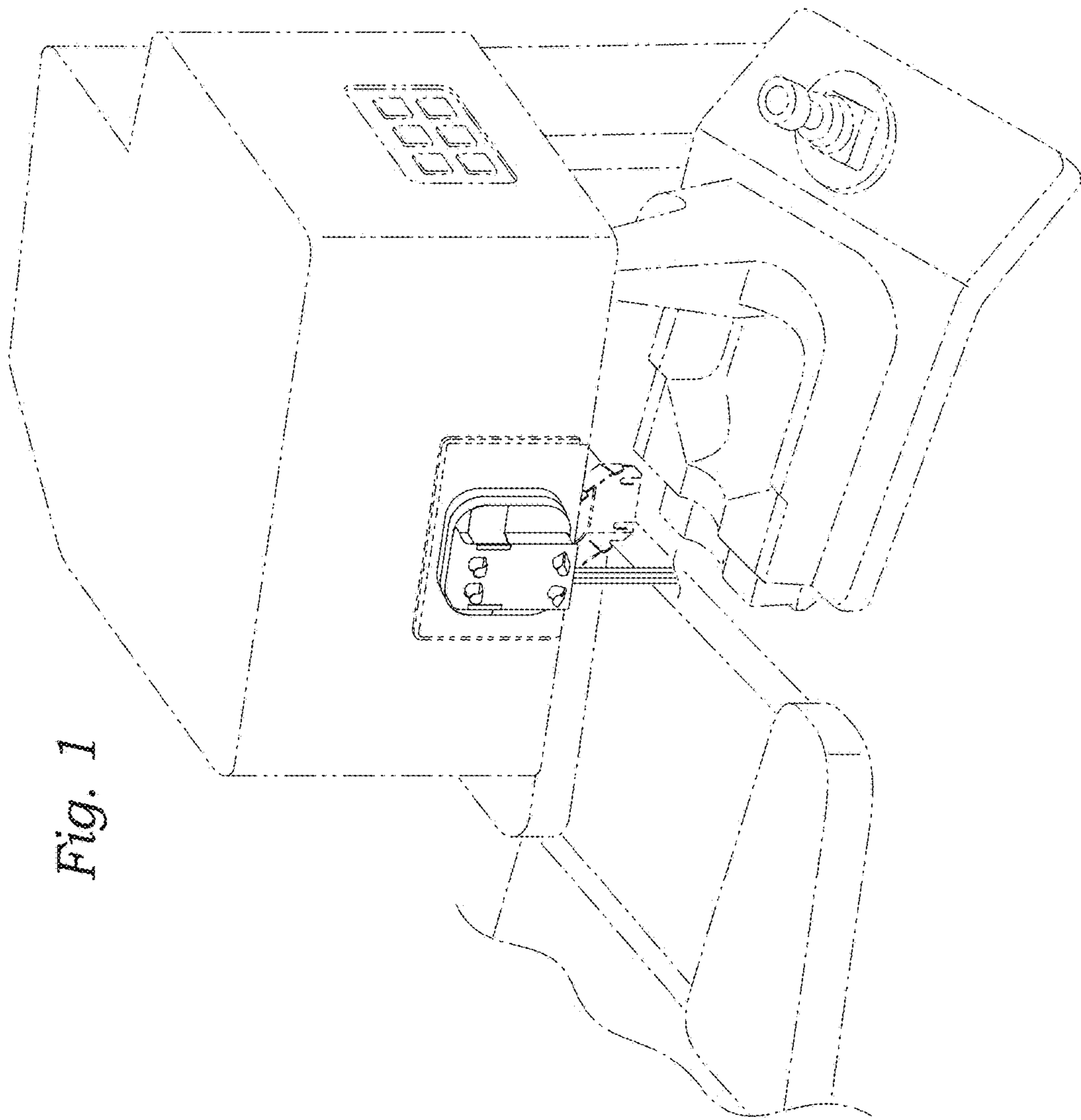


Fig. 1

Fig. 3

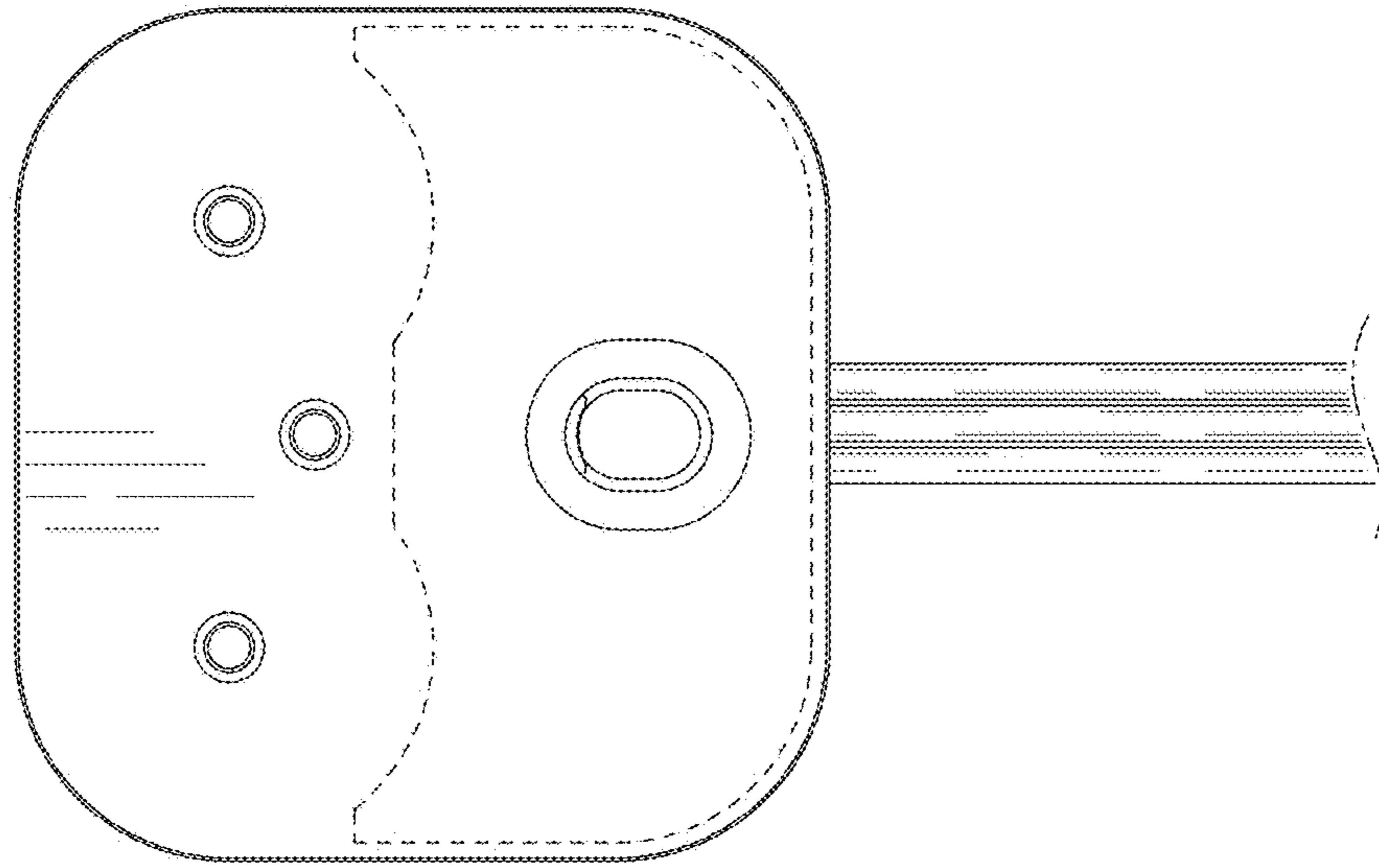


Fig. 2

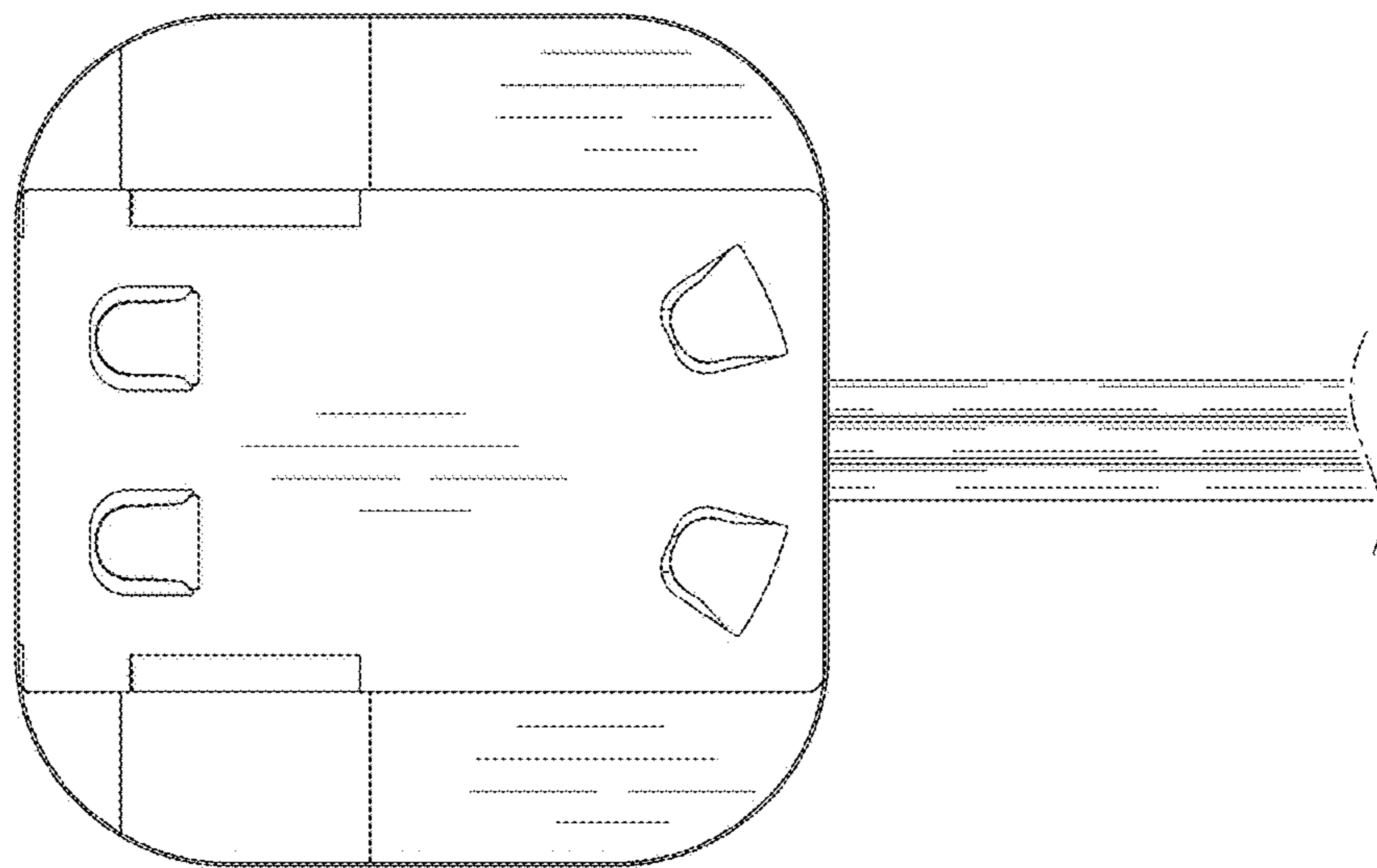


Fig. 5

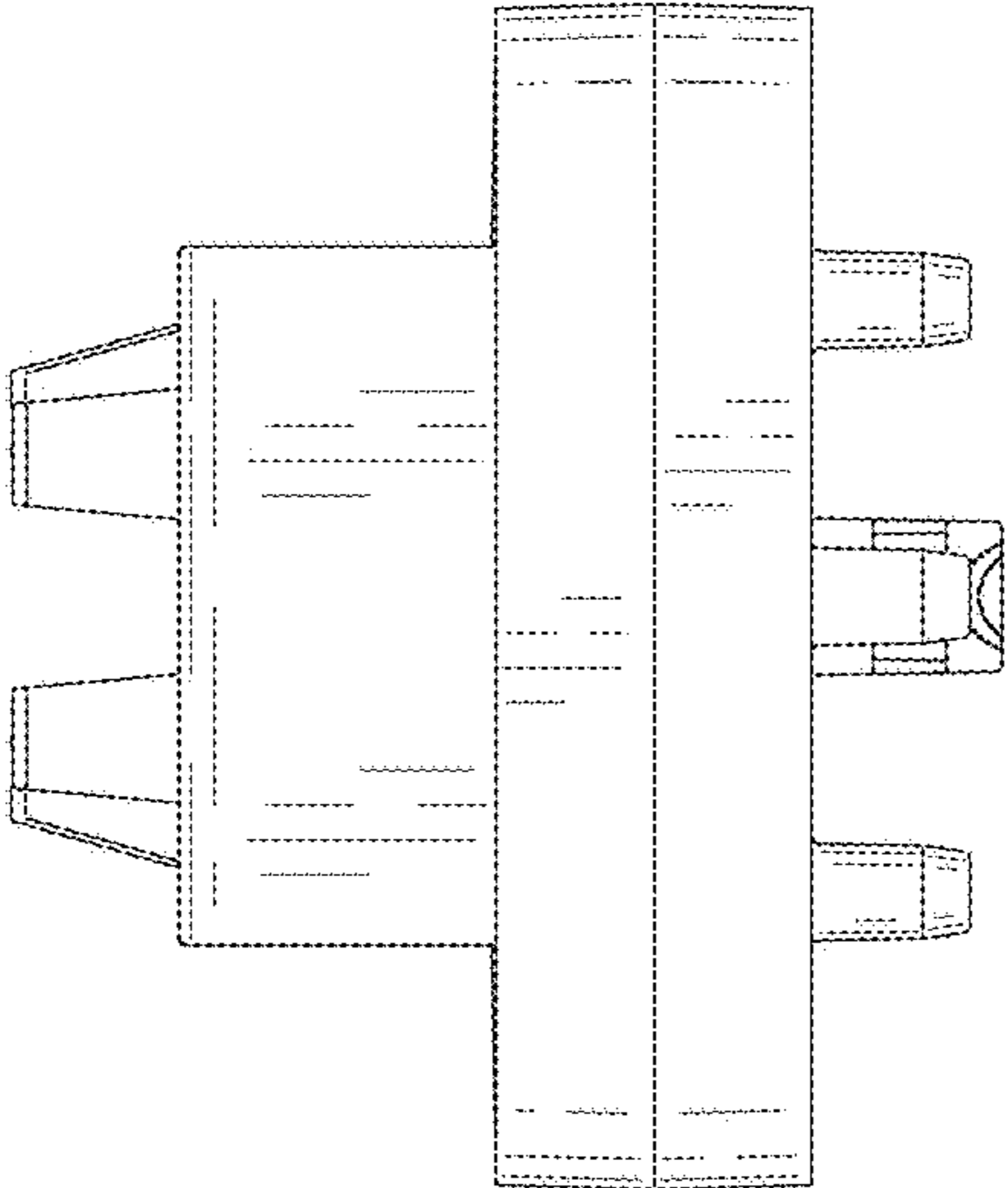


Fig. 6

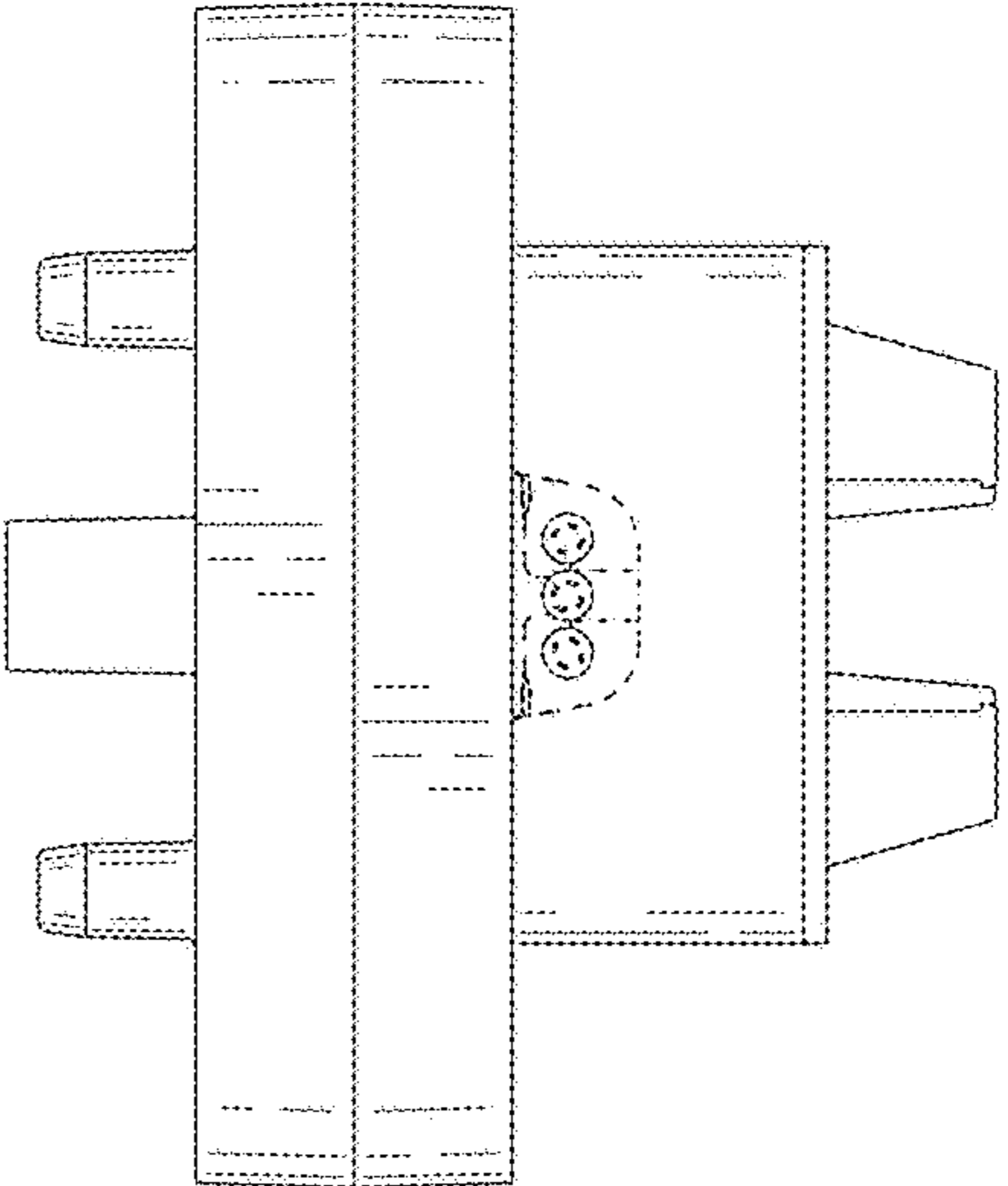


Fig. 4

