



US00D775353S

(12) **United States Design Patent** (10) **Patent No.:** **US D775,353 S**  
**Anderson et al.** (45) **Date of Patent:** **\*\* Dec. 27, 2016**

(54) **VERTEBRAL DISTRACTION DEVICE**  
(71) Applicants: **Gregg C. Anderson**, Carmichael, CA (US); **Donald W. Pesavento**, Arnold, CA (US); **Bruce G. Broughton**, Chula Vista, CA (US); **Scott K. Raitt**, Grass Valley, CA (US)  
(72) Inventors: **Gregg C. Anderson**, Carmichael, CA (US); **Donald W. Pesavento**, Arnold, CA (US); **Bruce G. Broughton**, Chula Vista, CA (US); **Scott K. Raitt**, Grass Valley, CA (US)  
(73) Assignee: **Gregg C. Anderson**, Sacramento, CA (US)

D488,229 S \* 4/2004 Rinner ..... D24/143  
D562,984 S \* 2/2008 Becerra ..... D24/183  
D584,819 S \* 1/2009 Becerra ..... D24/183  
D589,623 S \* 3/2009 Olliges ..... D24/188  
D656,610 S \* 3/2012 Kleiner ..... D24/133  
D679,394 S \* 4/2013 Gleixner ..... D24/133  
8,992,579 B1 \* 3/2015 Gustine ..... A61B 17/7062  
606/278  
D733,294 S \* 6/2015 Chaney ..... D24/140  
D733,875 S \* 7/2015 Chaney ..... D24/140  
D741,487 S \* 10/2015 Langford ..... D24/155  
D742,514 S \* 11/2015 Koenemann ..... D24/147  
D746,989 S \* 1/2016 Goldberg ..... D24/171  
D748,779 S \* 2/2016 Bast ..... D24/133  
D748,786 S \* 2/2016 Bailey ..... D24/140  
D757,943 S \* 5/2016 Arnold ..... D24/171  
D759,819 S \* 6/2016 Goldberg ..... D24/155  
9,370,384 B2 \* 6/2016 Mitchell ..... A61B 17/7004

(\*\*) Term: **15 Years**

\* cited by examiner

(21) Appl. No.: **29/543,996**

Primary Examiner — Rhea Shields

(22) Filed: **Oct. 29, 2015**

(74) Attorney, Agent, or Firm — Heisler & Associates

(51) **LOC (10) Cl.** ..... **24-00**

(52) **U.S. Cl.**  
USPC ..... **D24/171**

(58) **Field of Classification Search**  
USPC ..... D24/171, 133, 140, 155, 143, 183, 188,  
D24/147; 606/241, 278  
CPC ..... A61B 17/7004; A61B 17/7062; A61B  
17/025

See application file for complete search history.

(56) **References Cited**

U.S. PATENT DOCUMENTS

5,935,151 A \* 8/1999 Broughton ..... A61B 17/025  
606/241  
D460,184 S \* 7/2002 Schendel ..... D24/133

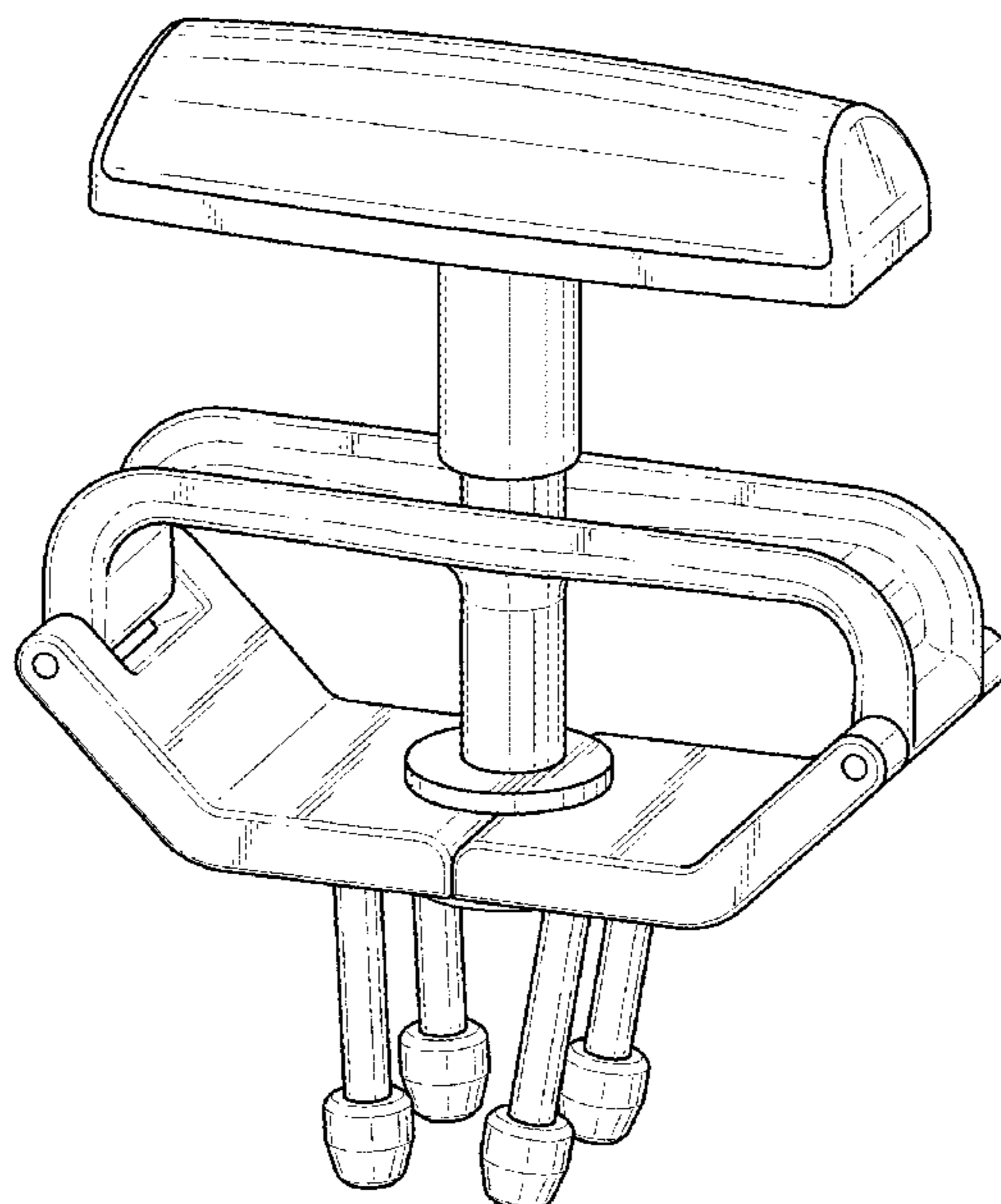
(57) **CLAIM**

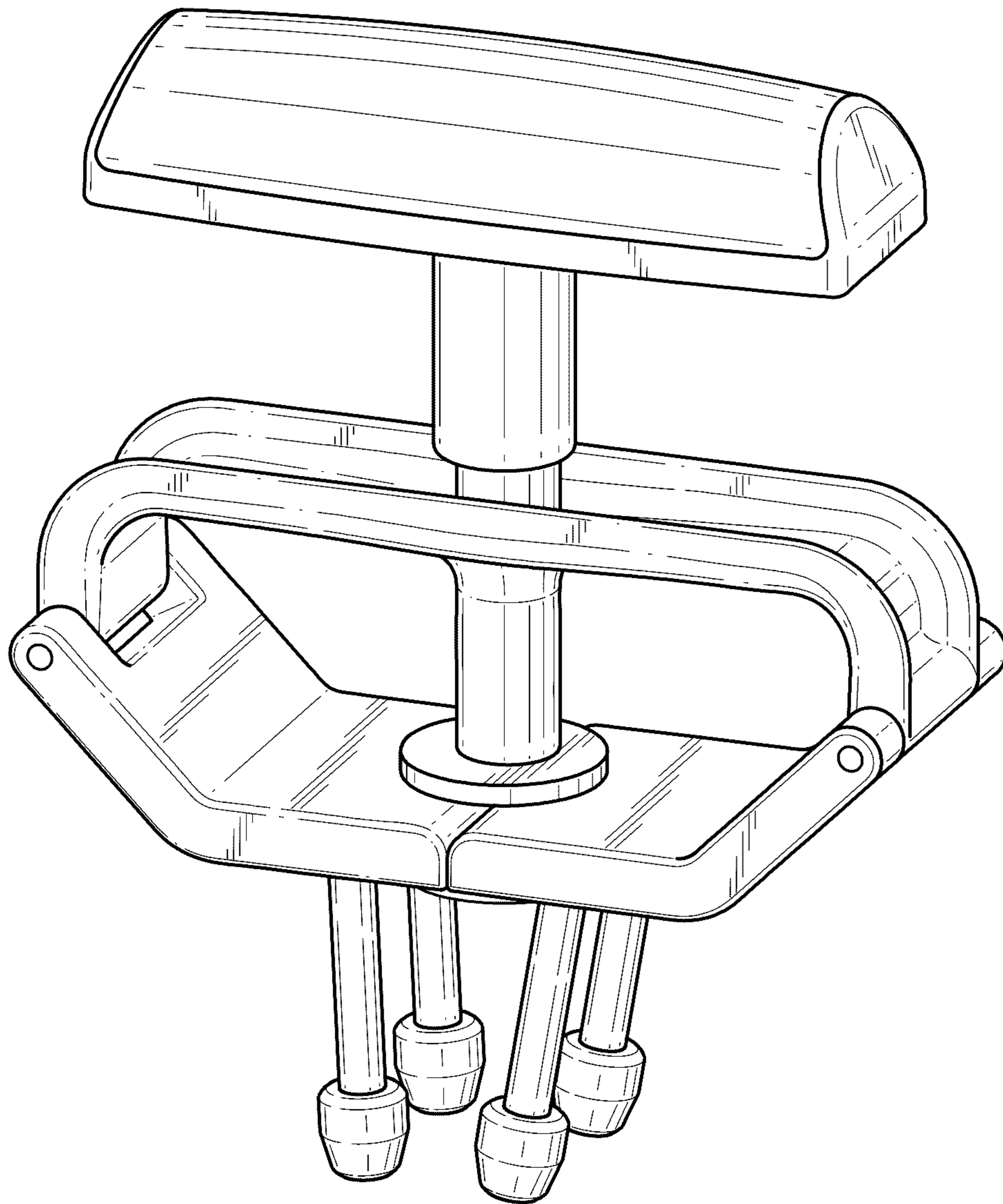
The ornamental design for a vertebral distraction device, as shown and described.

**DESCRIPTION**

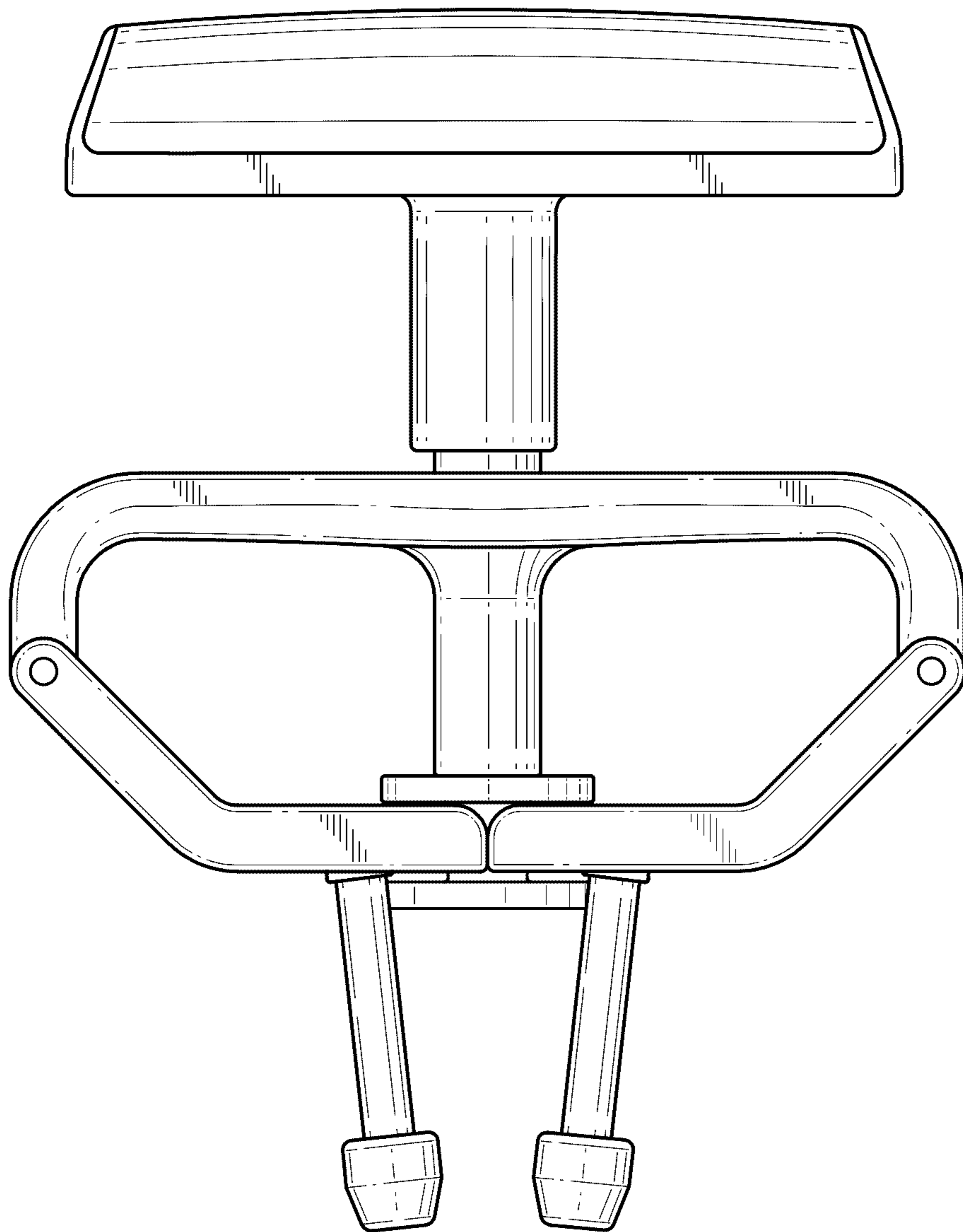
FIG. 1 is a perspective view of a vertebral distraction device; FIG. 2 is a front elevation view of the invention; FIG. 3 is a right side view of the invention, the left side view being a mirror image; FIG. 4 is a top plan view of the invention; and, FIG. 5 is a bottom plan view of the invention.

**1 Claim, 4 Drawing Sheets**

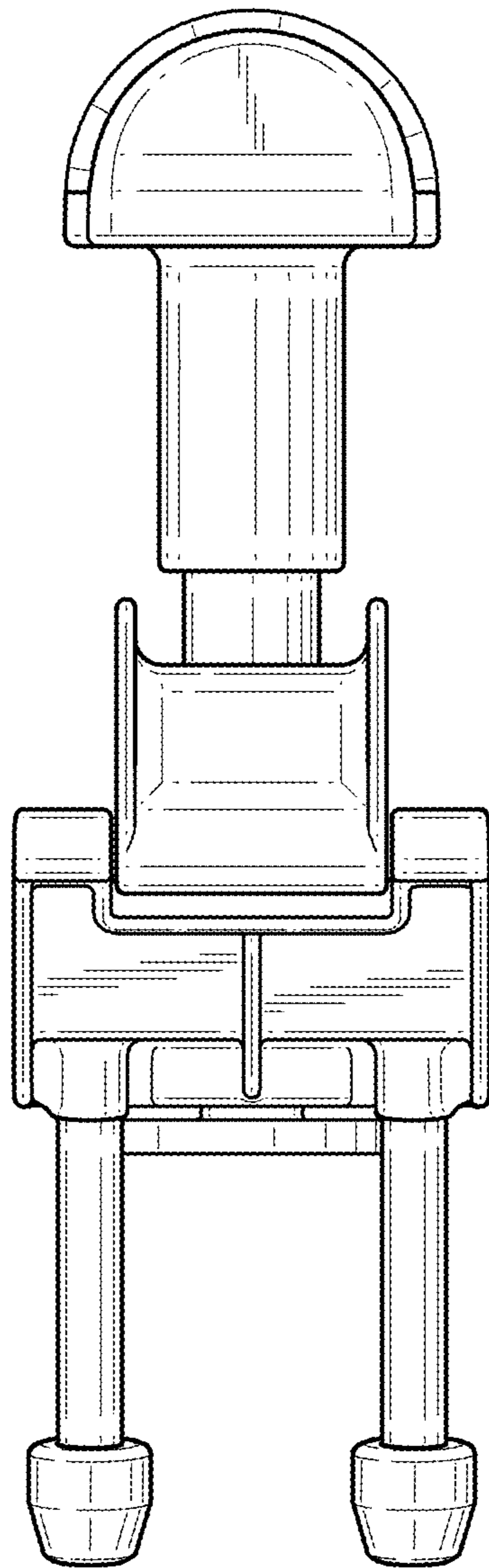




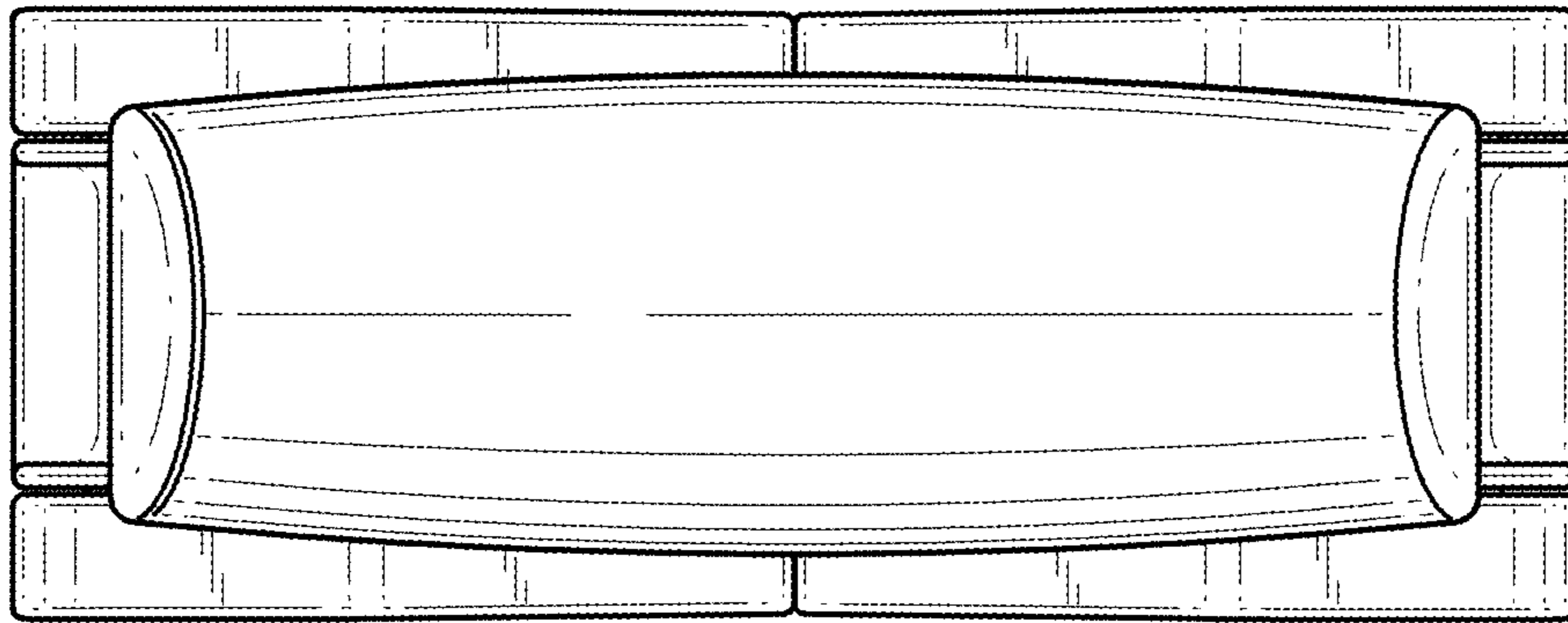
**FIG. 1**



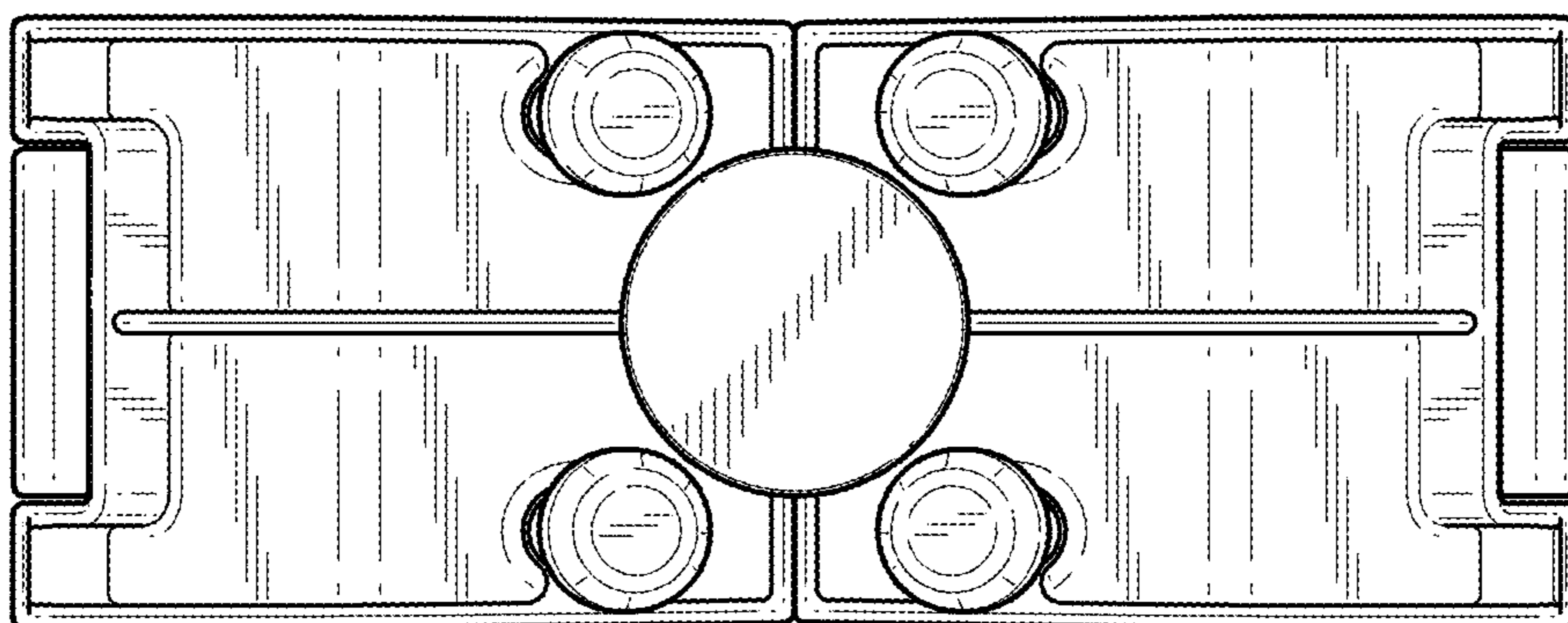
**FIG. 2**



**FIG. 3**



**FIG. 4**



**FIG. 5**