



US00D775352S

(12) **United States Design Patent** (10) **Patent No.:** **US D775,352 S**
Mills (45) **Date of Patent:** **** Dec. 27, 2016**

(54) **LIMB STABILIZER**
(71) Applicant: **StretchXperience, LLC**, Whitefish Bay, WI (US)
(72) Inventor: **Steve Alan Mills**, Whitefish Bay, WI (US)
(73) Assignee: **StretchXperience, LLC**, Whitefish Bay, WI (US)
(**) Term: **15 Years**
(21) Appl. No.: **29/543,500**
(22) Filed: **Oct. 26, 2015**
(51) **LOC (10) Cl.** **24-00**
(52) **U.S. Cl.**
USPC **D24/171; D24/190**
(58) **Field of Classification Search**
USPC D24/171, 190, 184, 183, 185, 231, 191;
D2/614; D21/698, 789; D29/113, 121.2;
600/587
CPC A61F 5/0123; A61H 39/002
See application file for complete search history.

D712,062 S * 8/2014 Austria D24/231
D715,951 S * 10/2014 Stuart D24/190
D719,662 S * 12/2014 Pope D24/191
D724,746 S * 3/2015 Ruel D24/190
D728,165 S * 4/2015 Davis D29/121.2
D732,671 S * 6/2015 Moy D24/184
D741,974 S * 10/2015 Lung D21/698
D744,662 S * 12/2015 Stevens D2/614
D749,228 S * 2/2016 O'Connor D24/190
D749,743 S * 2/2016 O'Connor D24/190
D751,720 S * 3/2016 Williams D24/190
D759,825 S * 6/2016 Johnson D24/184
D760,908 S * 7/2016 MacNeil D24/190
9,393,147 B2 * 7/2016 Scheuermann A61F 5/0123

* cited by examiner

Primary Examiner — Rhea Shields
(74) *Attorney, Agent, or Firm* — Husch Blackwell LLP

(57) **CLAIM**

The ornamental design for a limb stabilizer, as shown and described.

DESCRIPTION

FIG. 1 is a front perspective view of a limb stabilizer showing my new design;
FIG. 2 is a left elevation view thereof;
FIG. 3 is a front elevation view thereof;
FIG. 4 is a right elevation view thereof;
FIG. 5 is a rear elevation view thereof;
FIG. 6 is a top plan view thereof; and,
FIG. 7 is a bottom plan view thereof.
In the drawings, the broken lines are for the purpose of illustrating environment only and form no part of the claimed design.

1 Claim, 3 Drawing Sheets

(56) **References Cited**
U.S. PATENT DOCUMENTS
6,299,586 B1 * 10/2001 Cao A61H 39/002
600/587
D642,694 S * 8/2011 Sharps D24/183
D647,207 S * 10/2011 Buck D24/185
D655,418 S * 3/2012 Hancock D24/183
D663,798 S * 7/2012 Duncan D21/789
D665,537 S * 8/2012 Gustavsson D29/113
D707,833 S * 6/2014 Waugh D24/190

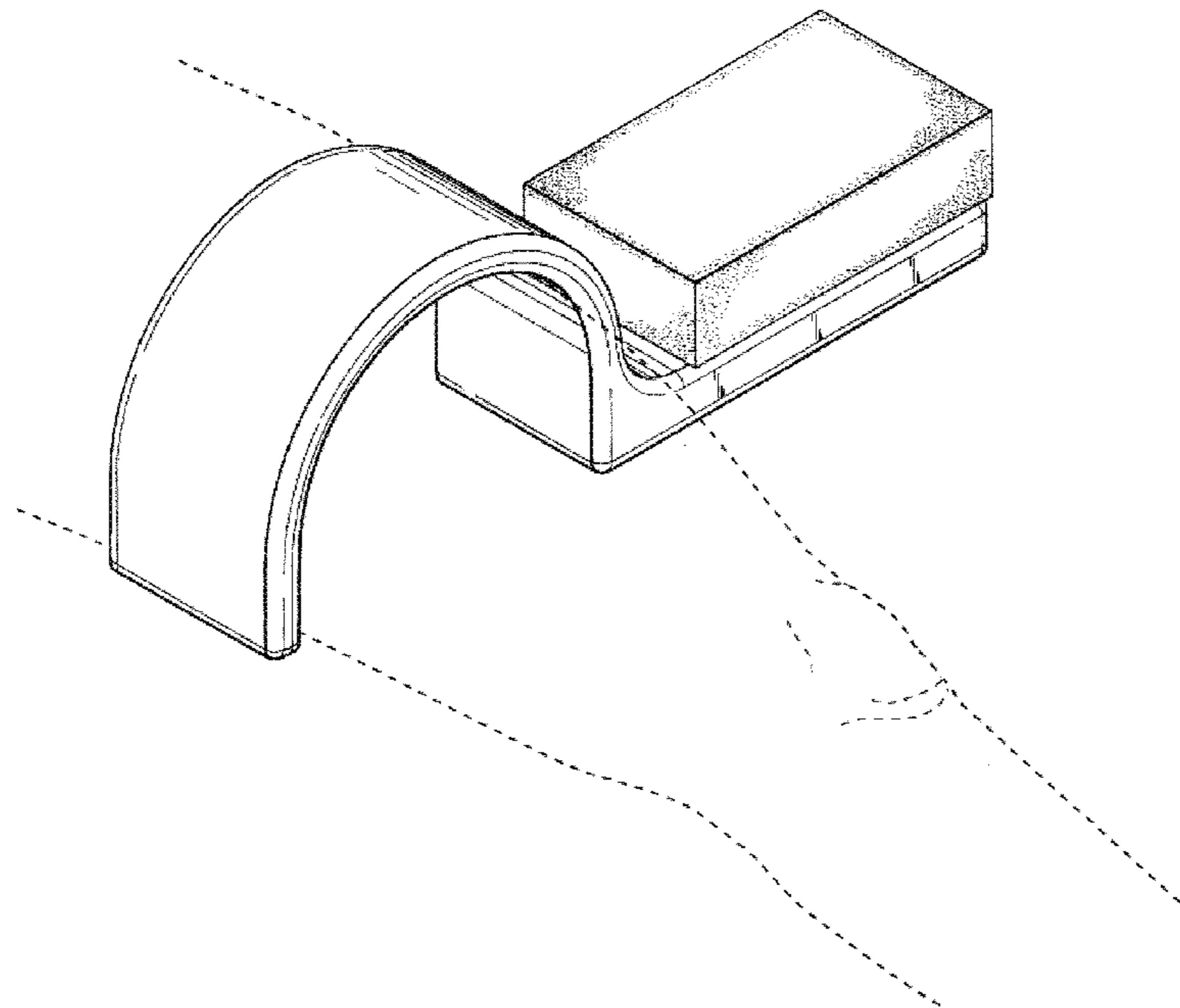


Fig. 1

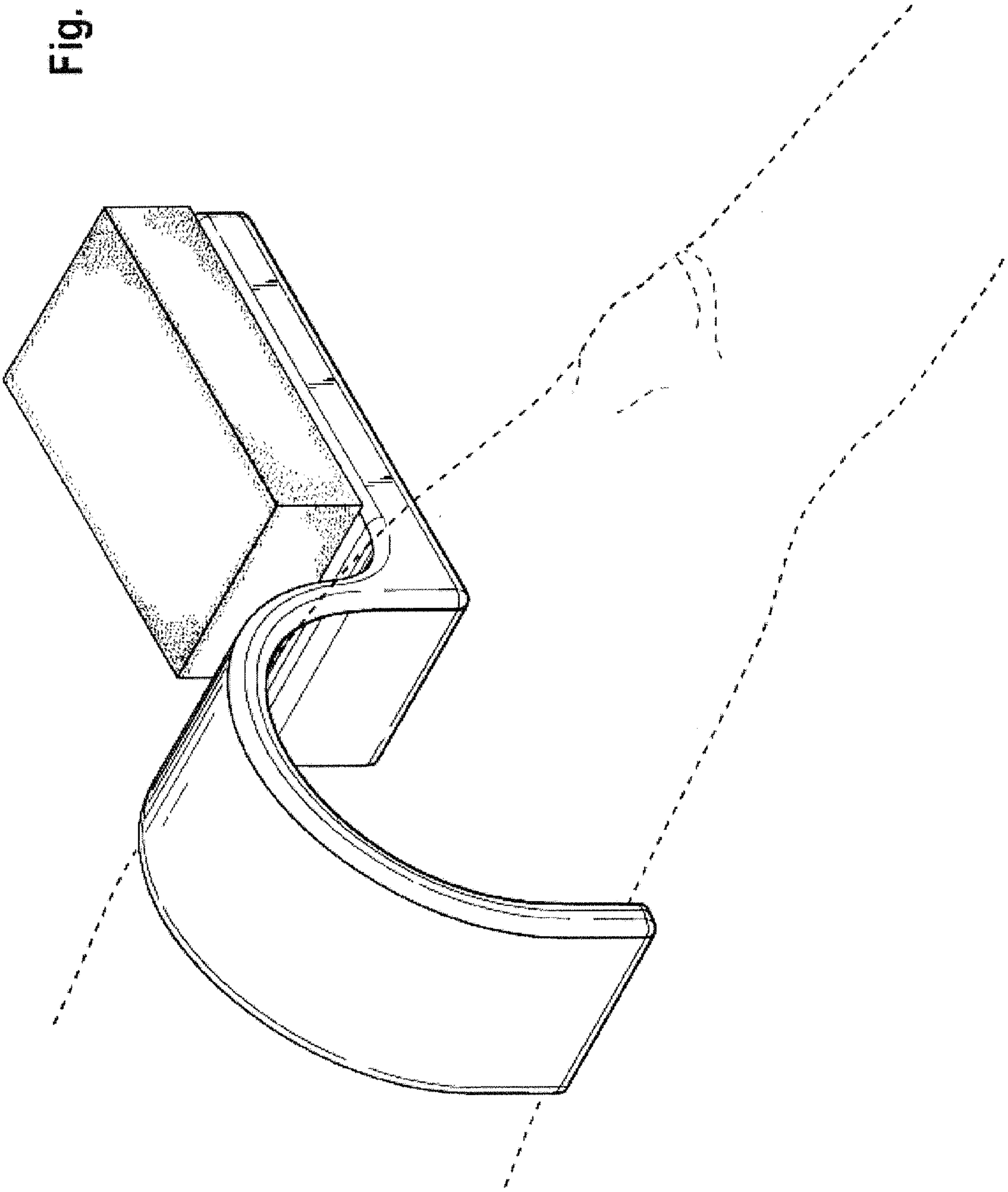


Fig. 2

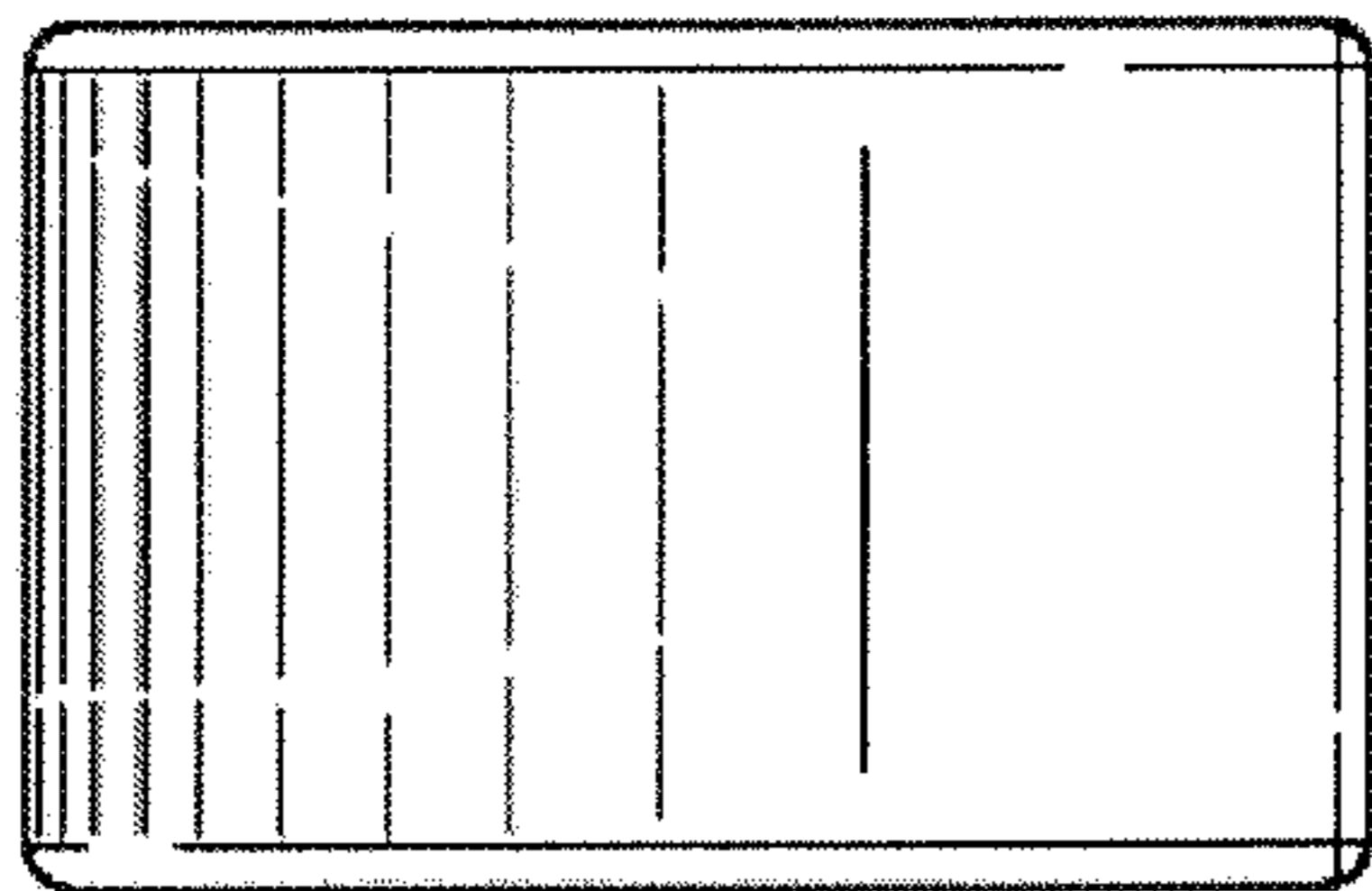


Fig. 3

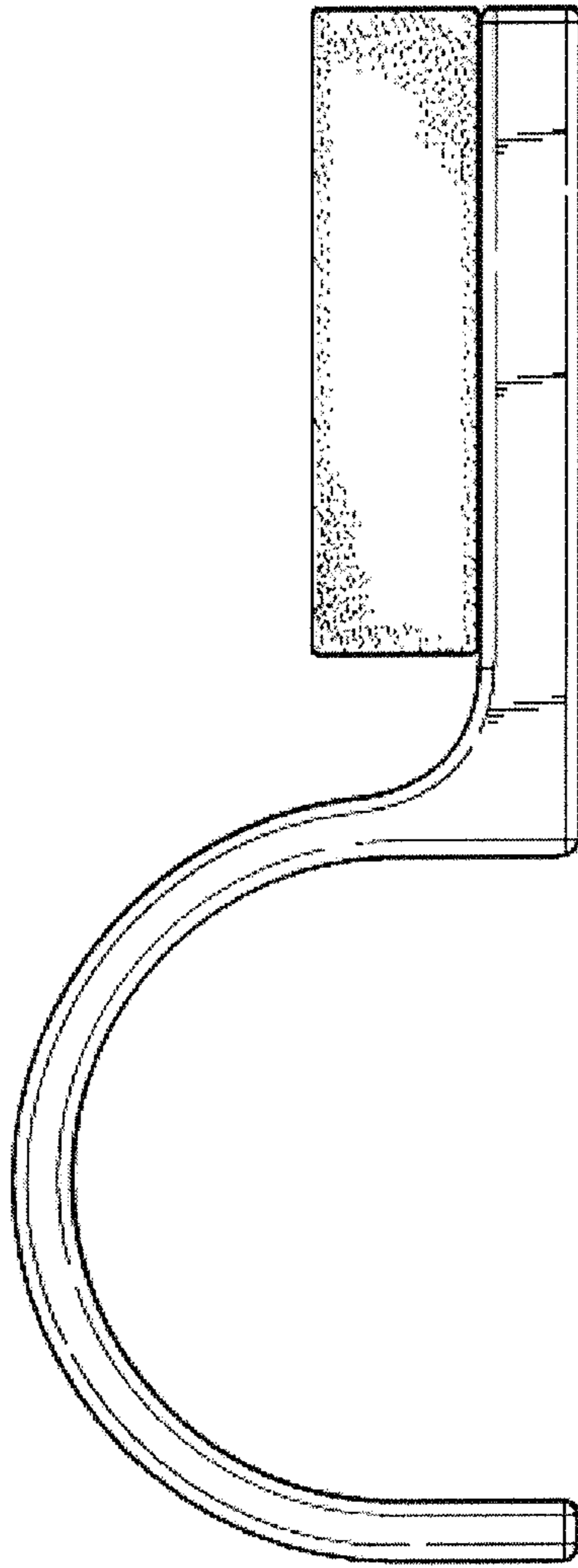


Fig. 4

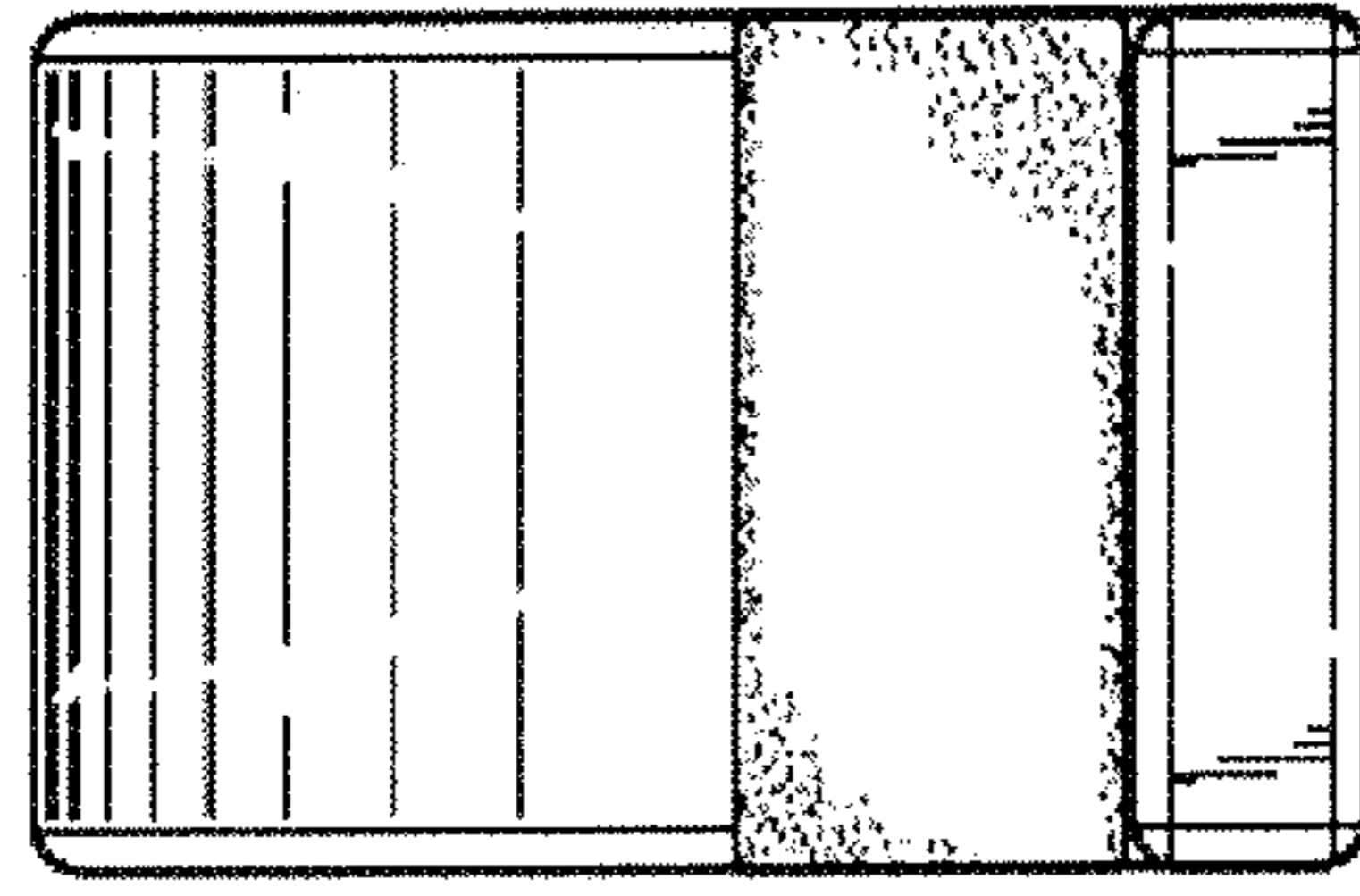


Fig. 5

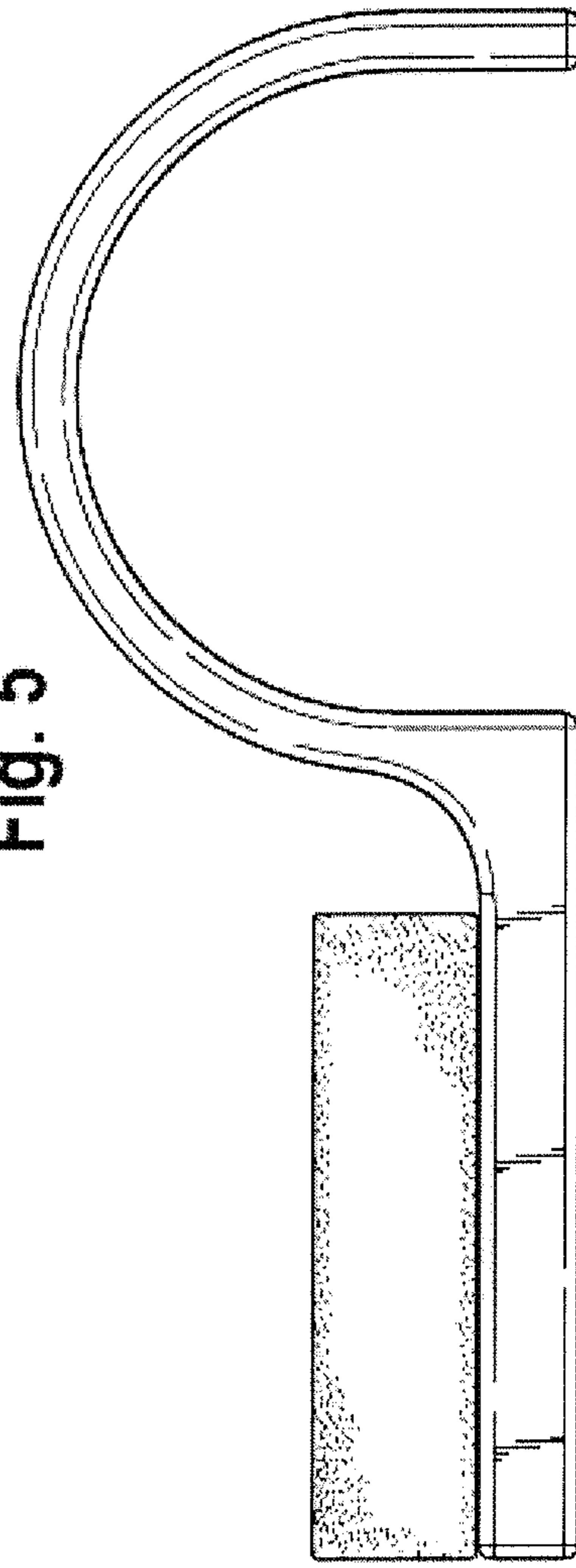


Fig. 6

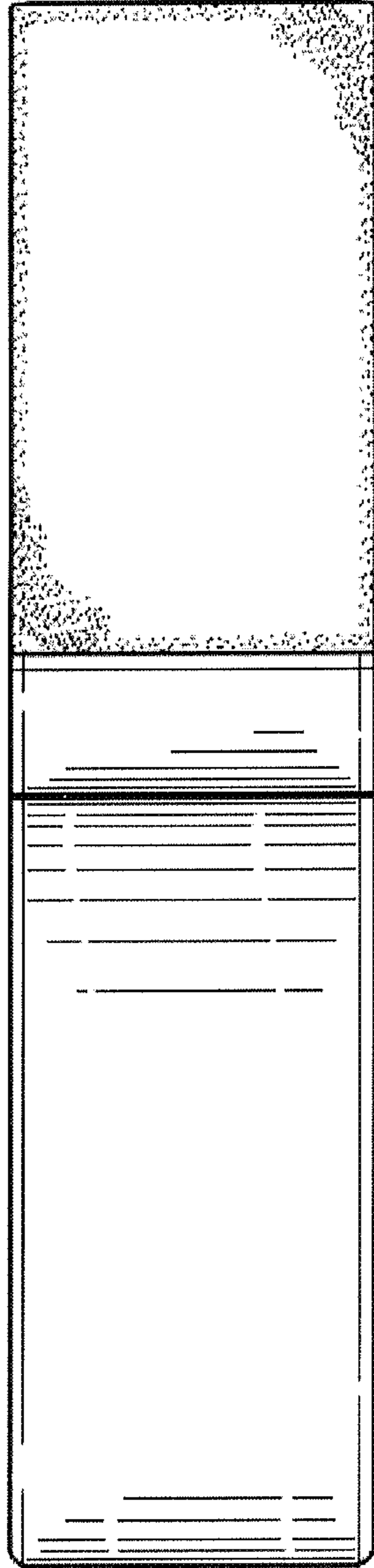


Fig. 7

