



US00D775351S

(12) **United States Design Patent** (10) **Patent No.:** **US D775,351 S**
Agarwal et al. (45) **Date of Patent:** **** Dec. 27, 2016**

- (54) **CONTAINER FOR A PEDICLE SCREW**
- (71) Applicant: **Spinal Balance, Inc.**, Holland, OH (US)
- (72) Inventors: **Aakash Agarwal**, Ottawa Hills, OH (US); **Arthur Sotere Karas**, Copley, OH (US); **Christian Ferdinand Ludwig Schultz**, Augsburg (DE)
- (73) Assignee: **Spinal Balance, Inc.**, Toledo, OH (US)
- (**) Term: **15 Years**
- (21) Appl. No.: **29/533,248**
- (22) Filed: **Jul. 15, 2015**
- (51) **LOC (10) Cl.** **24-00**
- (52) **U.S. Cl.**
USPC **D24/171**
- (58) **Field of Classification Search**
USPC D24/170-172, 133, 158, 146, 140;
D21/693; 606/278
CPC A61B 17/7062; A61B 17/7004
See application file for complete search history.

D598,096 S *	8/2009	Petersen	D24/133
D599,015 S *	8/2009	Petersen	D24/133
D599,479 S *	9/2009	Petersen	D24/133
D599,906 S *	9/2009	Petersen	D24/146
D626,222 S *	10/2010	Studene	D24/133
D705,929 S *	5/2014	Frey	D24/140
D722,698 S *	2/2015	Frankel	D24/171
8,992,579 B1 *	3/2015	Gustine	A61B 17/7062 606/278
D745,673 S *	12/2015	Frey	D24/140
D748,256 S *	1/2016	Wagner	D24/140
D757,870 S *	5/2016	Leslie	D21/693
9,370,384 B2 *	6/2016	Mitchell	A61B 17/7004

* cited by examiner

Primary Examiner — Rhea Shields

(74) *Attorney, Agent, or Firm* — MacMillan, Sobanski & Todd, LLC

(57) **CLAIM**

The ornamental design for a container for a pedicle screw, as shown.

DESCRIPTION

FIG. 1 is a perspective view of container for a pedicle screw embodying our design.

FIG. 2 is a front side elevational view thereof.

FIG. 3 is a rear side elevational view thereof.

FIG. 4 is a right side elevational view thereof.

FIG. 5 is a left side elevational view thereof.

FIG. 6 is a top plan view thereof; and,

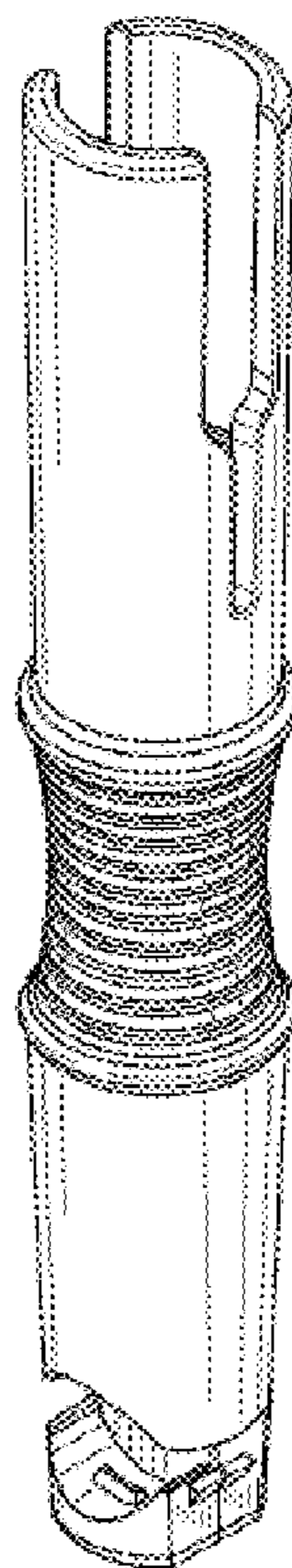
FIG. 7 is a bottom plan view thereof.

1 Claim, 4 Drawing Sheets

(56) **References Cited**

U.S. PATENT DOCUMENTS

D441,447 S *	5/2001	Hjertman	D24/133
D548,837 S *	8/2007	Oikawa	D24/158
D597,669 S *	8/2009	Petersen	D24/133



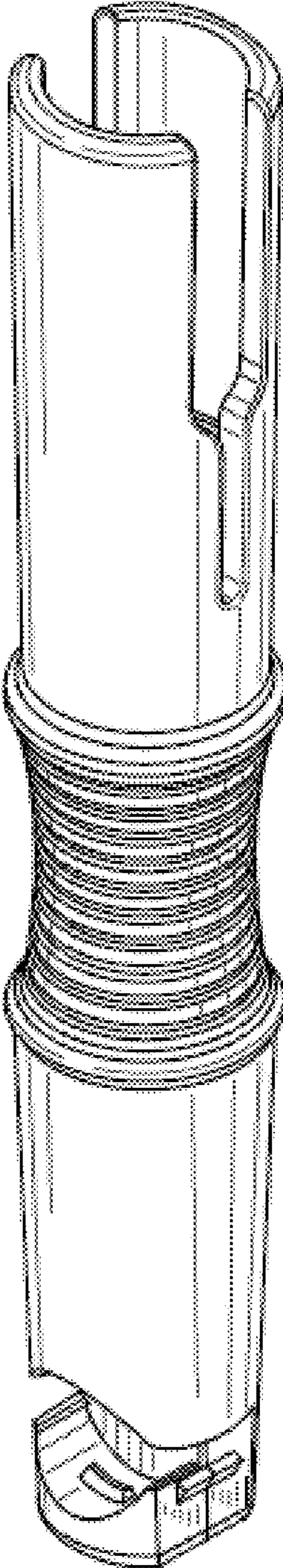


FIG. 1

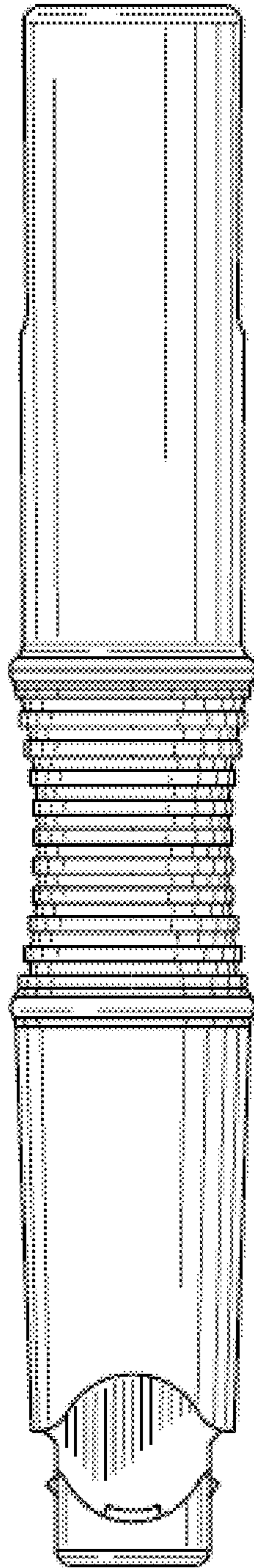


FIG. 2

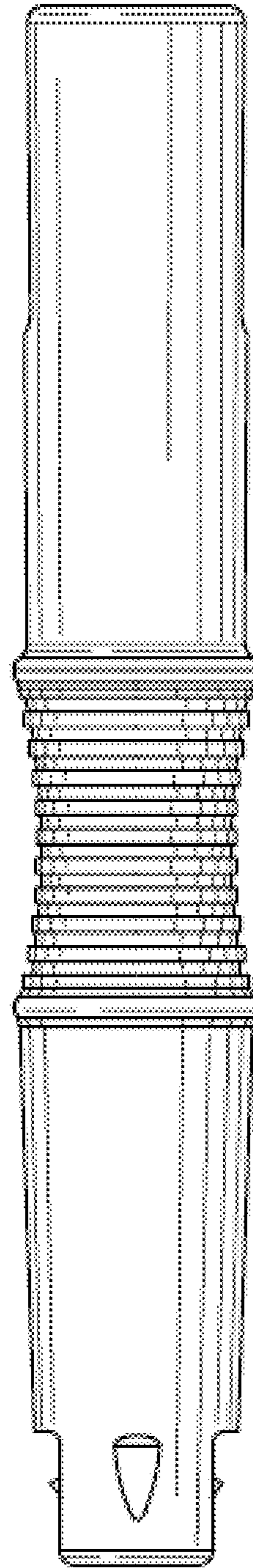


FIG. 3

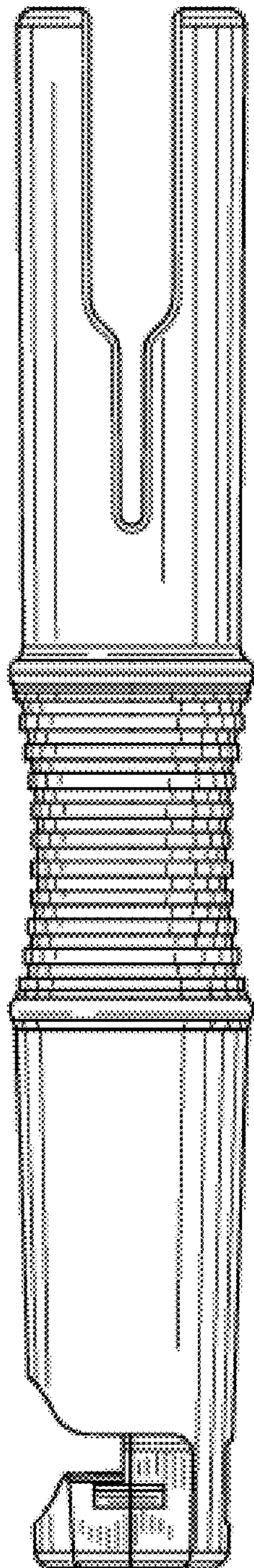


FIG. 4

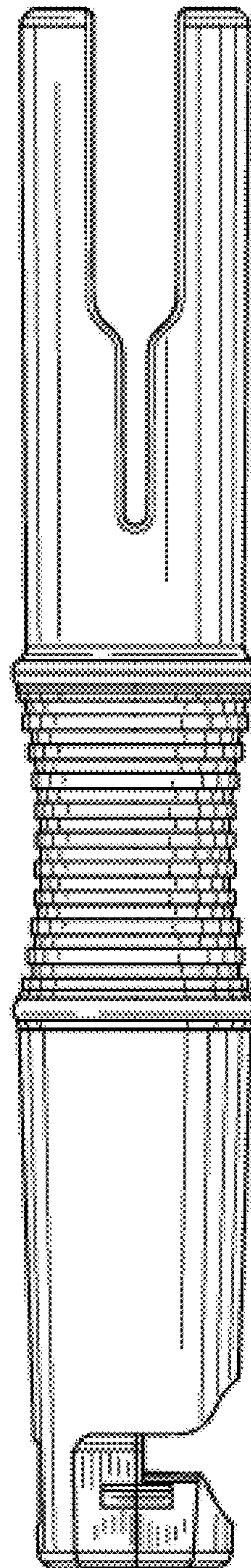


FIG. 5

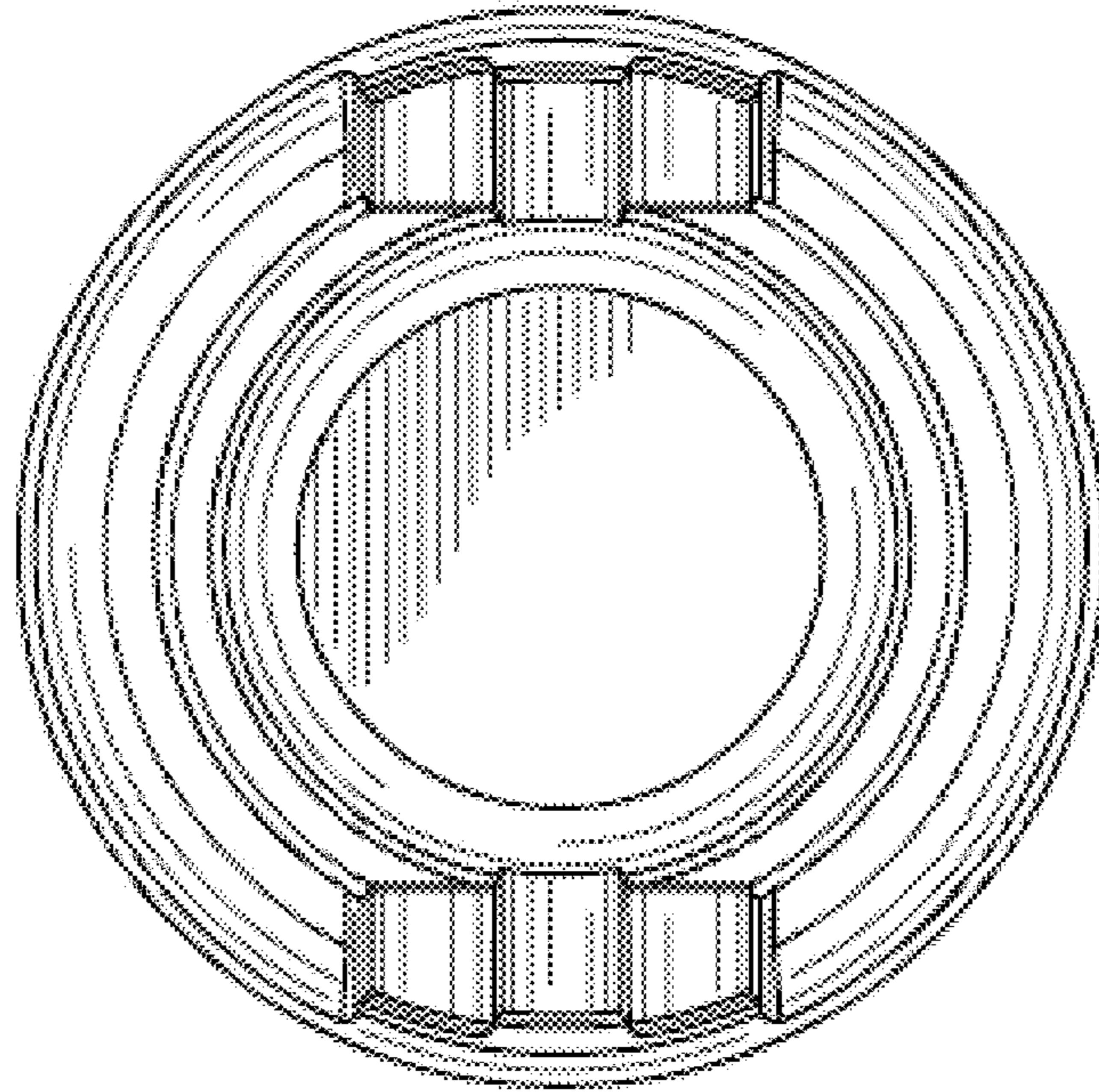


FIG. 6

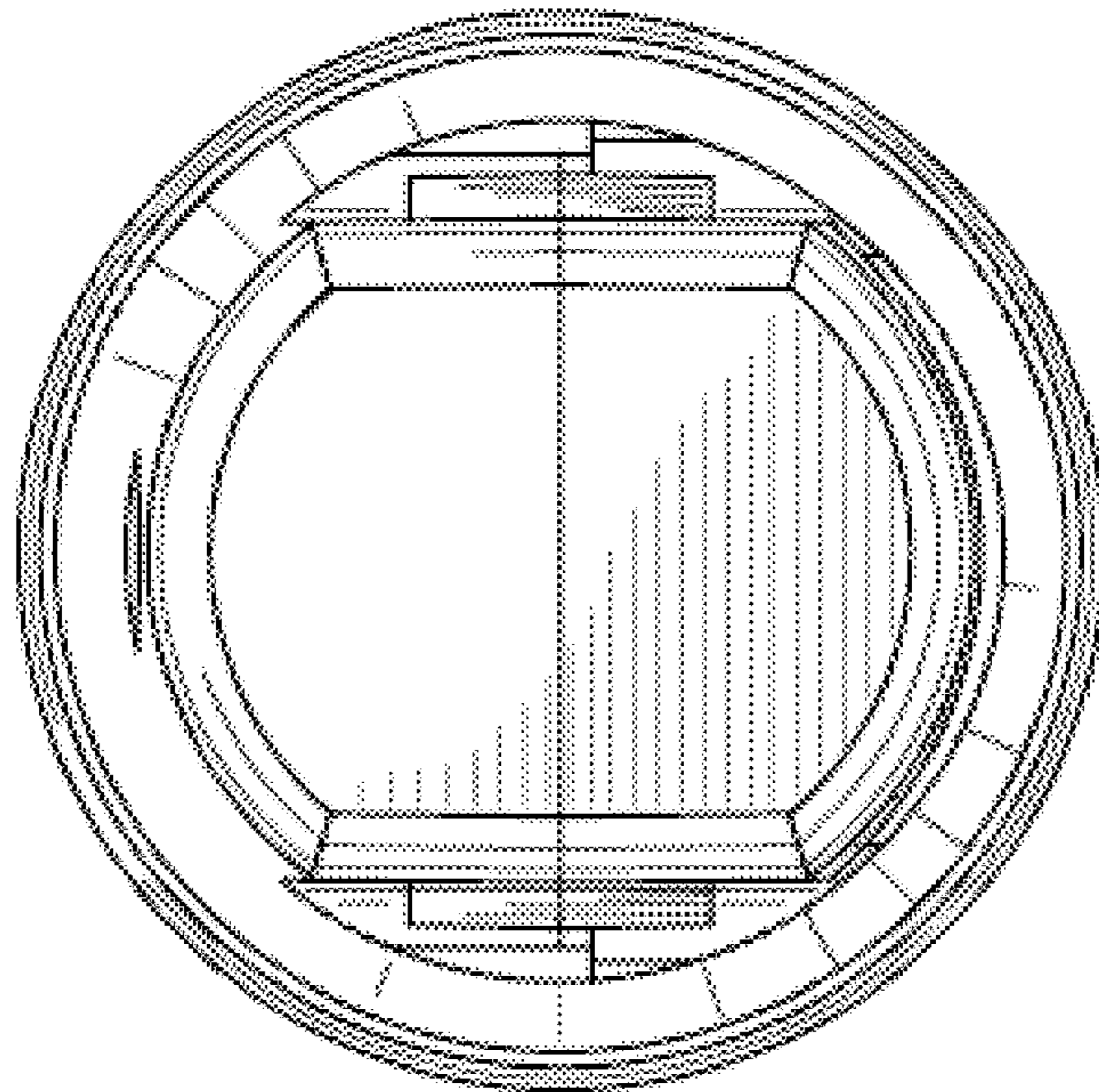


FIG. 7