



US00D775350S

(12) **United States Design Patent** (10) **Patent No.:** **US D775,350 S**  
**Buess** (45) **Date of Patent:** **\*\* \*Dec. 27, 2016**

(54) **BREATHING TUBE FOR LUNG DIAGNOSTICS**  
(71) Applicant: **ndd Medizintechnik AG**, Zurich (CH)  
(72) Inventor: **Christian Buess**, Horgen (CH)  
(73) Assignee: **ndd Medizintechnik AG**, Zurich (CH)  
(\* ) Notice: This patent is subject to a terminal disclaimer.  
(\*\*) Term: **15 Years**  
(21) Appl. No.: **29/531,168**  
(22) Filed: **Jun. 23, 2015**  
(30) **Foreign Application Priority Data**  
Dec. 23, 2014 (EP) ..... 2605188  
(51) **LOC (10) Cl.** ..... **24-00**  
(52) **U.S. Cl.**  
USPC ..... **D24/164**  
(58) **Field of Classification Search**  
USPC ..... D24/164, 186, 110, 129, 110.5, 110.6;  
600/532, 438; 128/909, 200.24; D21/411;  
482/13  
CPC ..... A61B 5/087; A61B 5/097; A61B 5/0875;  
G01N 33/4972; A63B 23/18; G01D  
3/0365  
See application file for complete search history.

(56) **References Cited**  
U.S. PATENT DOCUMENTS  
3,880,591 A \* 4/1975 Burroughs ..... A61B 5/097  
128/909  
D242,489 S \* 11/1976 Burroughs ..... D24/110  
4,114,608 A \* 9/1978 Russo ..... A61B 5/0875  
128/200.24  
4,221,381 A \* 9/1980 Ericson ..... A63B 23/18  
482/13

4,232,683 A \* 11/1980 Bartholomew ..... A61B 5/0875  
482/13  
D266,695 S \* 10/1982 Trammll ..... D21/411  
D331,281 S \* 11/1992 Levine ..... D24/110  
D335,343 S \* 5/1993 Jones ..... D24/110  
5,503,151 A \* 4/1996 Harnoncourt ..... A61B 5/087  
600/438  
5,645,071 A \* 7/1997 Harnoncourt ..... G01D 3/0365  
600/532  
5,929,319 A \* 7/1999 King ..... G01N 33/4972  
422/84  
D476,413 S \* 6/2003 Pearce, Jr. .... D24/110  
D518,574 S \* 4/2006 Chaggares ..... D24/186  
D520,139 S \* 5/2006 Chaggares ..... D24/186  
(Continued)

**FOREIGN PATENT DOCUMENTS**

CN 300858229D S 12/2008  
*Primary Examiner* — Rhea Shields  
(74) *Attorney, Agent, or Firm* — Alleman Hall McCoy  
Russell & Tuttle LLP

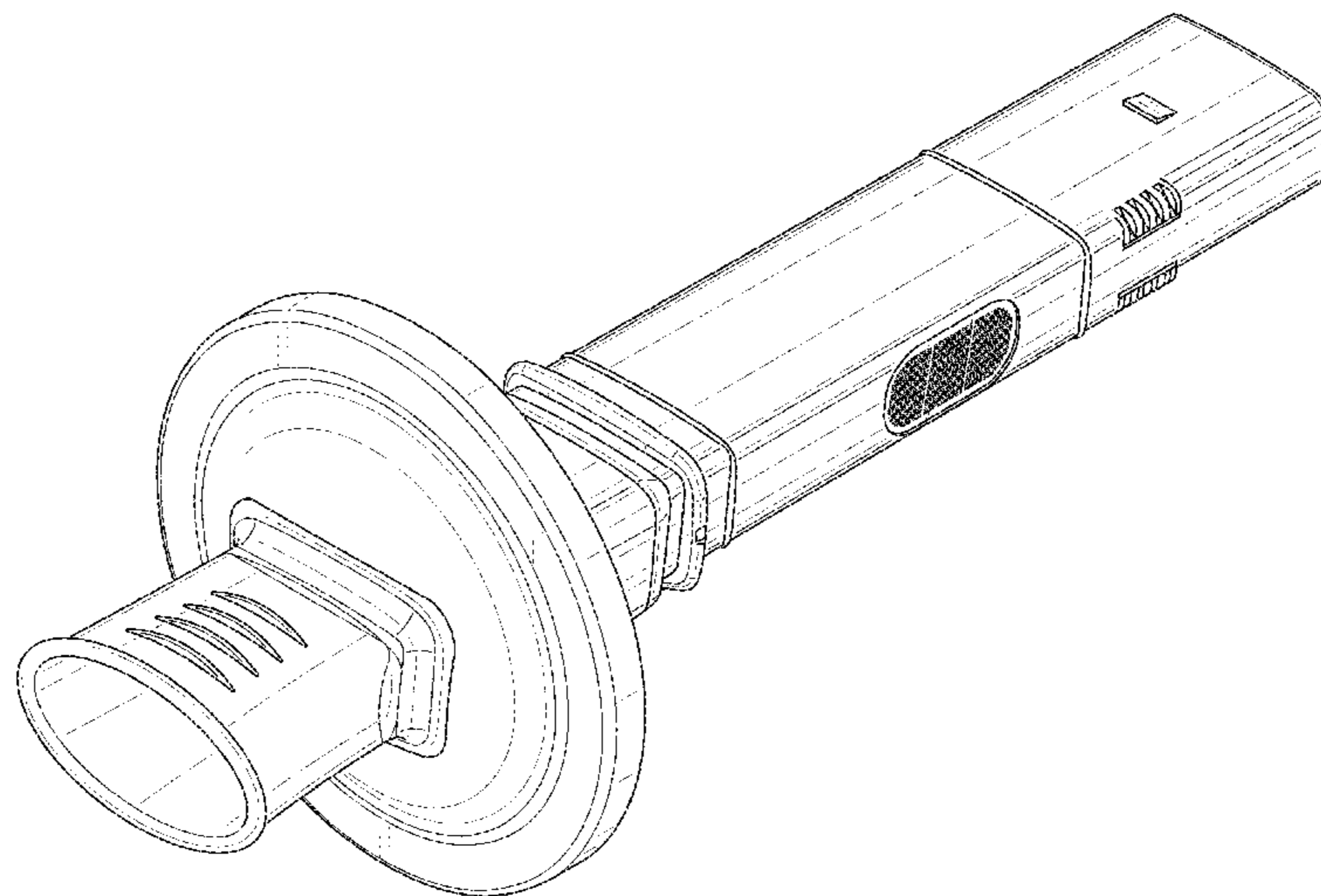
(57) **CLAIM**

The ornamental design for a breathing tube for lung diagnostics, as shown and described.

**DESCRIPTION**

FIG. 1 is a front perspective view of a breathing tube for lung diagnostics according to my new design;  
FIG. 2 is a front view thereof;  
FIG. 3 is a back view thereof;  
FIG. 4 is a right side view thereof;  
FIG. 5 is a left side view thereof;  
FIG. 6 is a top view thereof; and,  
FIG. 7 is a bottom view thereof.  
The solid lines in FIGS. 1-7 illustrate a breathing tube for lung diagnostics according to the present disclosure. In the drawings, the broken lines are for the purpose of illustrating environment only and form no part of the claimed design.

**1 Claim, 6 Drawing Sheets**



(56)

**References Cited**

U.S. PATENT DOCUMENTS

D520,140	S	*	5/2006	Chaggares	.....	D24/186
D528,655	S	*	9/2006	Clawson	.....	D24/110
D542,913	S	*	5/2007	Aspinall	.....	D24/110
D556,908	S	*	12/2007	Jones	.....	D24/164
D638,537	S	*	5/2011	Virr	.....	D24/129
D652,917	S	*	1/2012	Hill	.....	D24/129
D659,835	S		5/2012	Benson		
D680,642	S	*	4/2013	Guerra	.....	D24/110.5
D692,128	S	*	10/2013	Miller	.....	D24/110.6
D692,555	S	*	10/2013	Maksym	.....	D24/110
D693,004	S	*	11/2013	Larsen	.....	D24/164
D748,242	S	*	1/2016	Campbell	.....	D24/110.5
2007/0191726	A1	*	8/2007	Harnoncourt	.....	A61B 5/087 600/532

\* cited by examiner

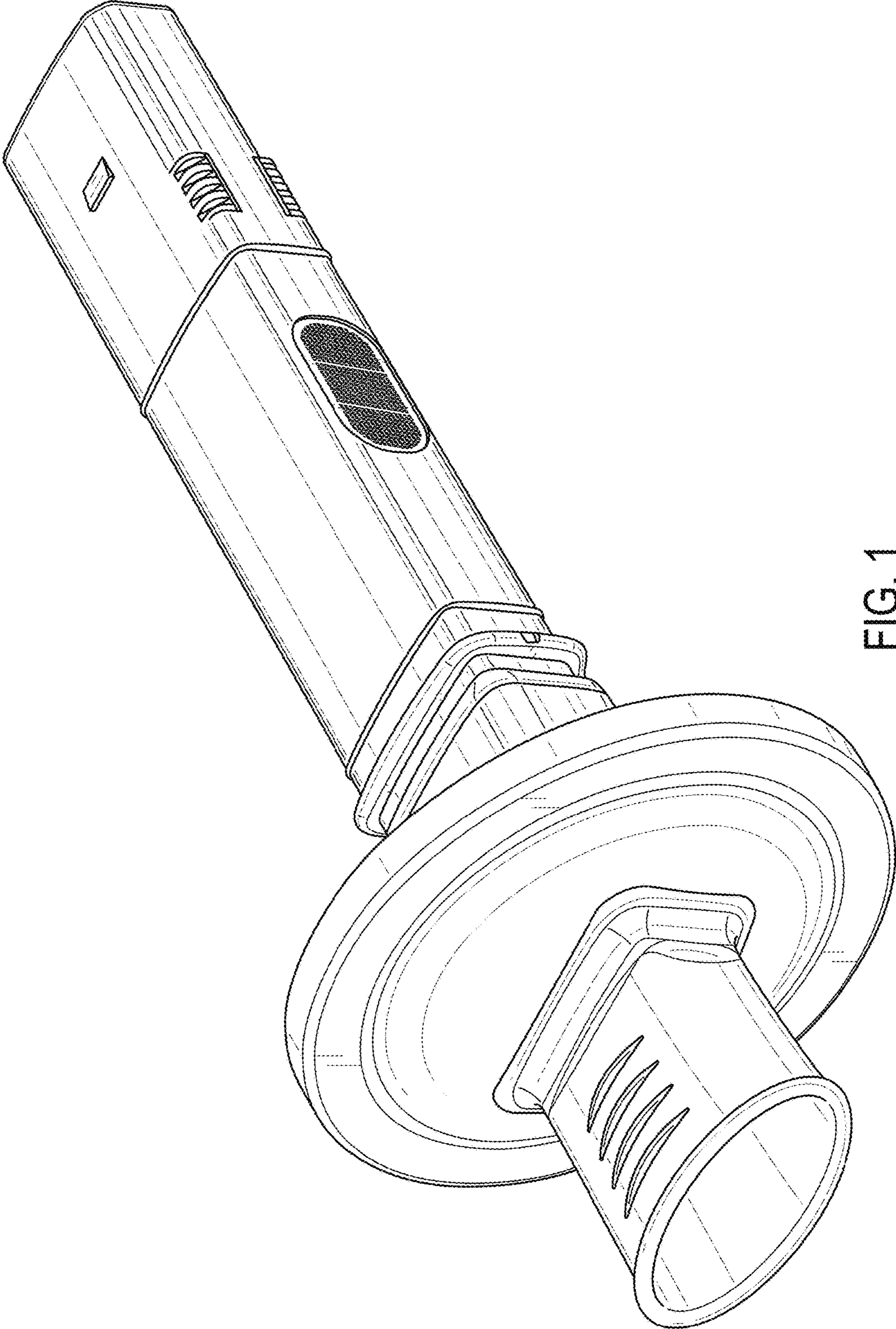


FIG. 1

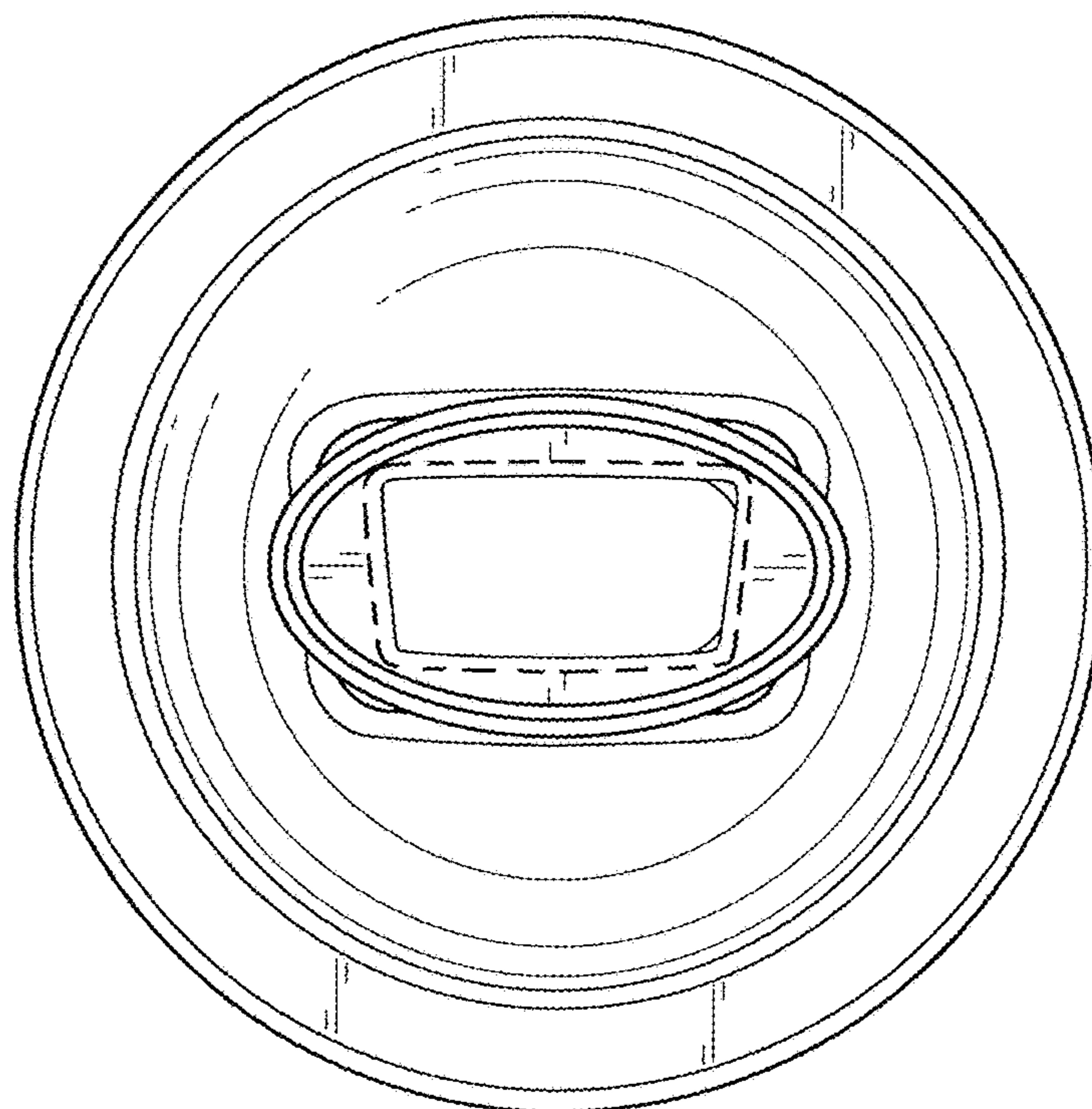


FIG. 2

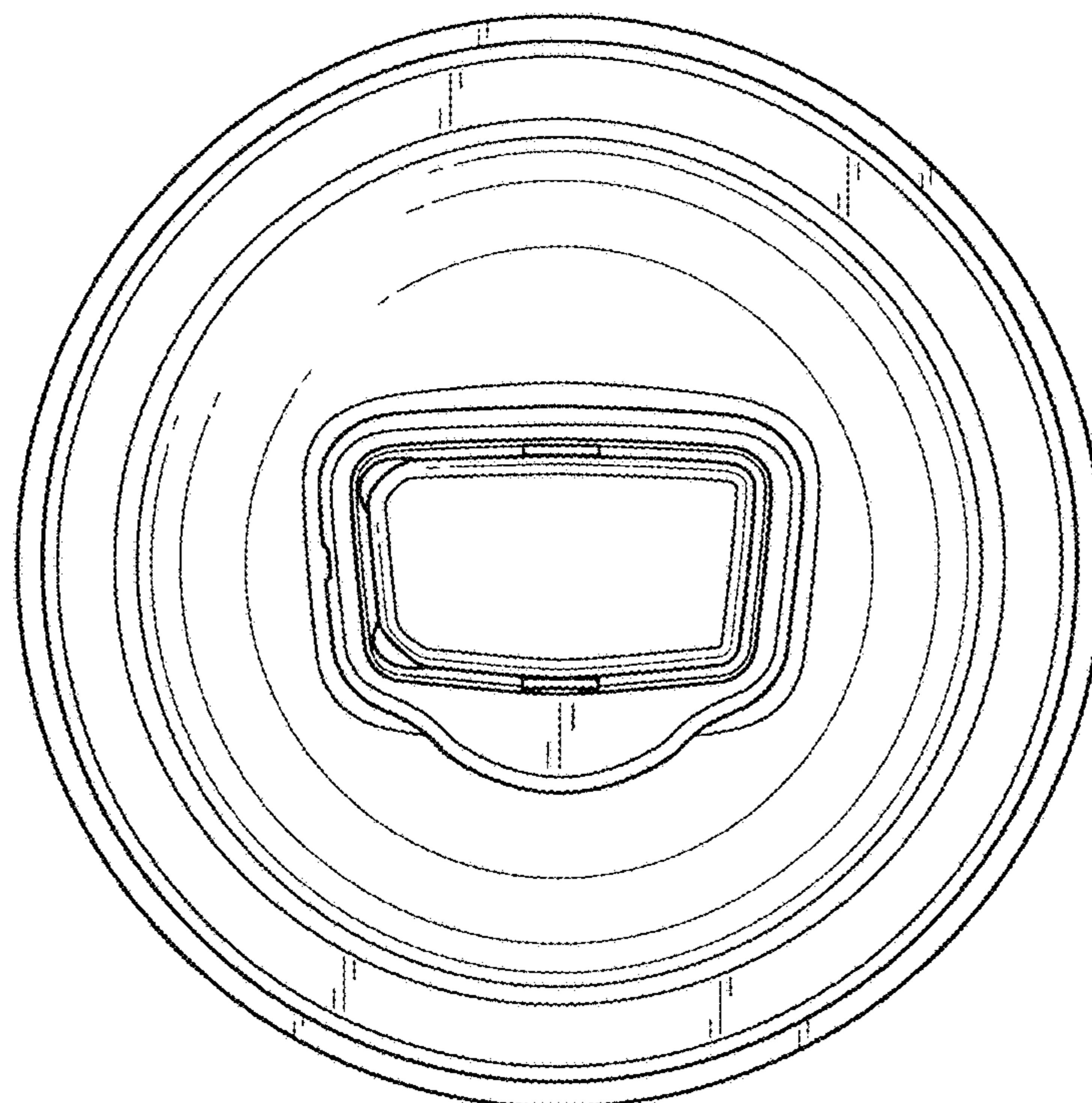


FIG. 3

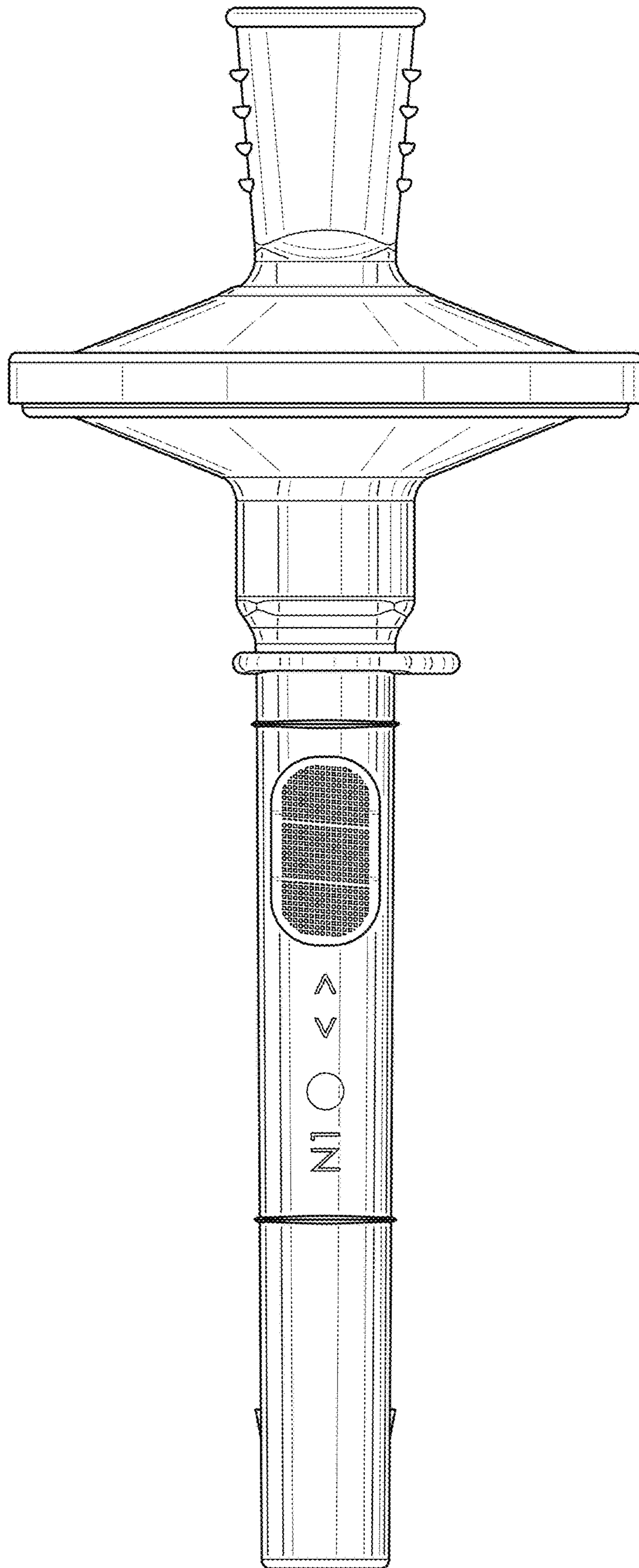


FIG. 4

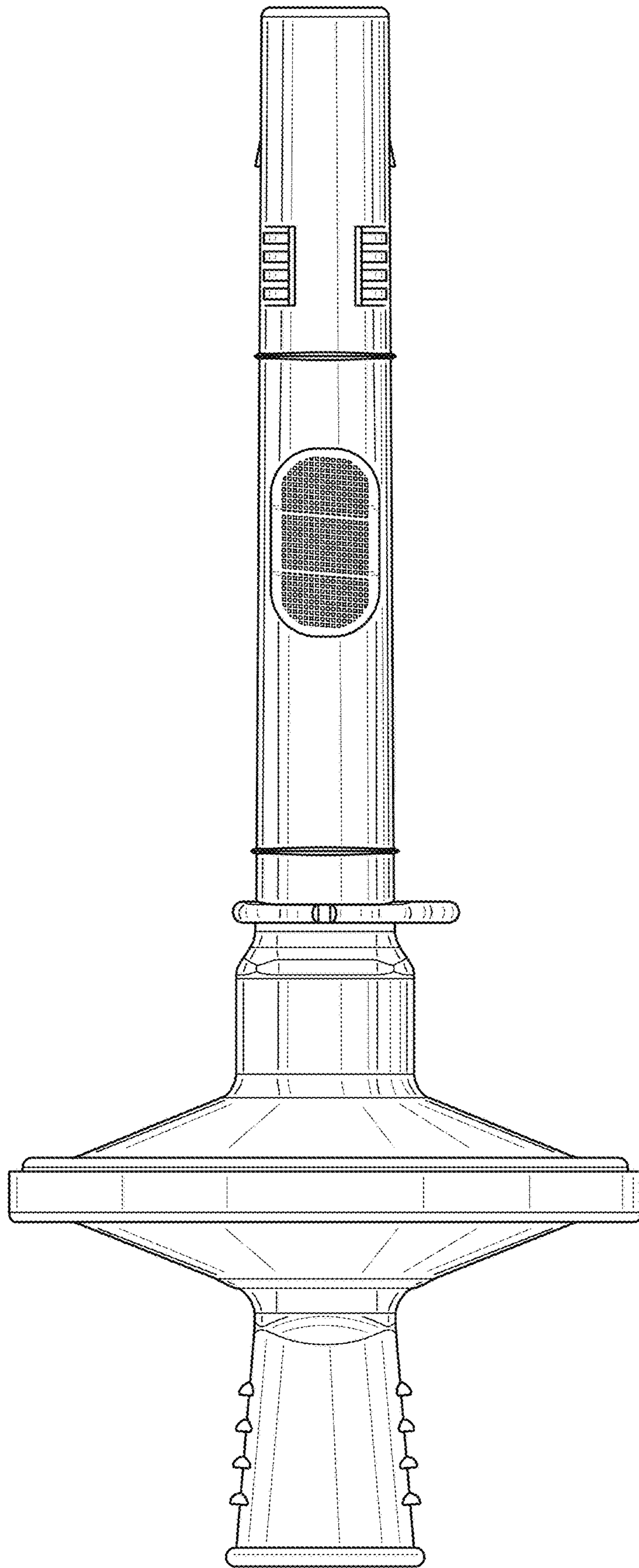


FIG. 5

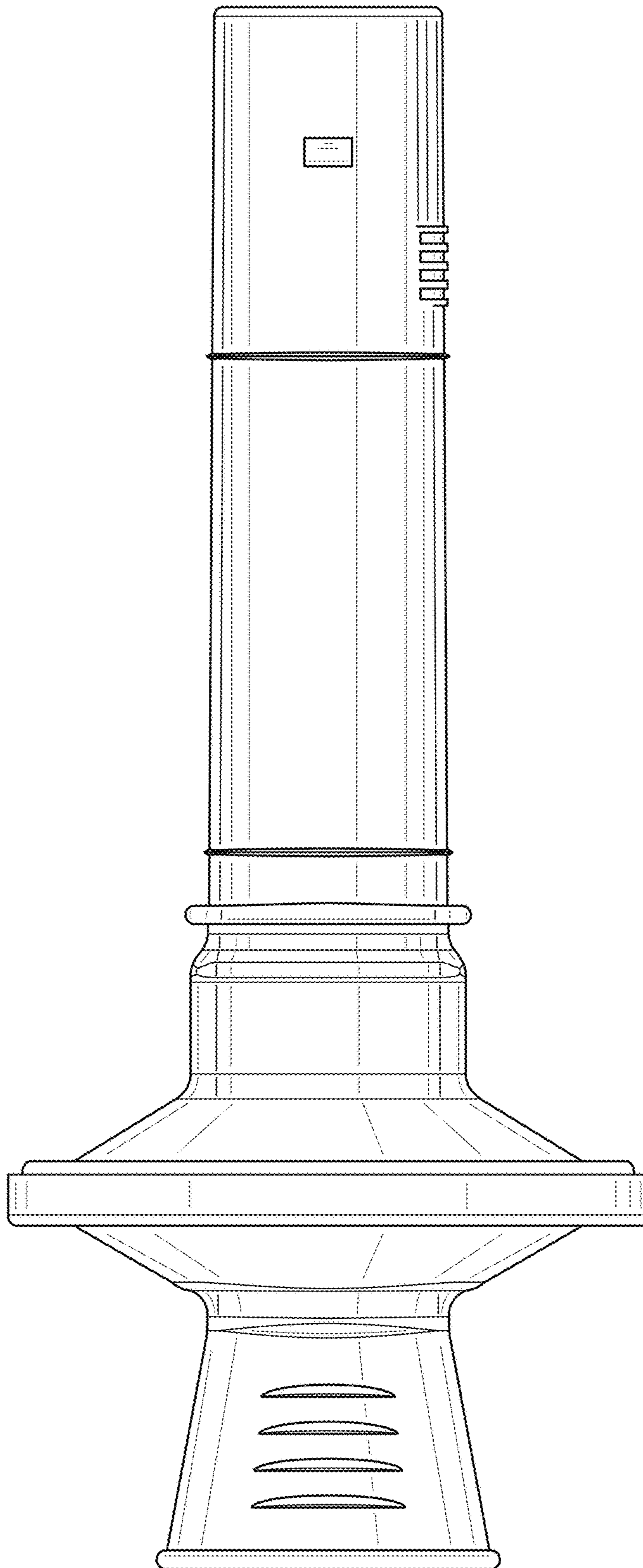


FIG. 6

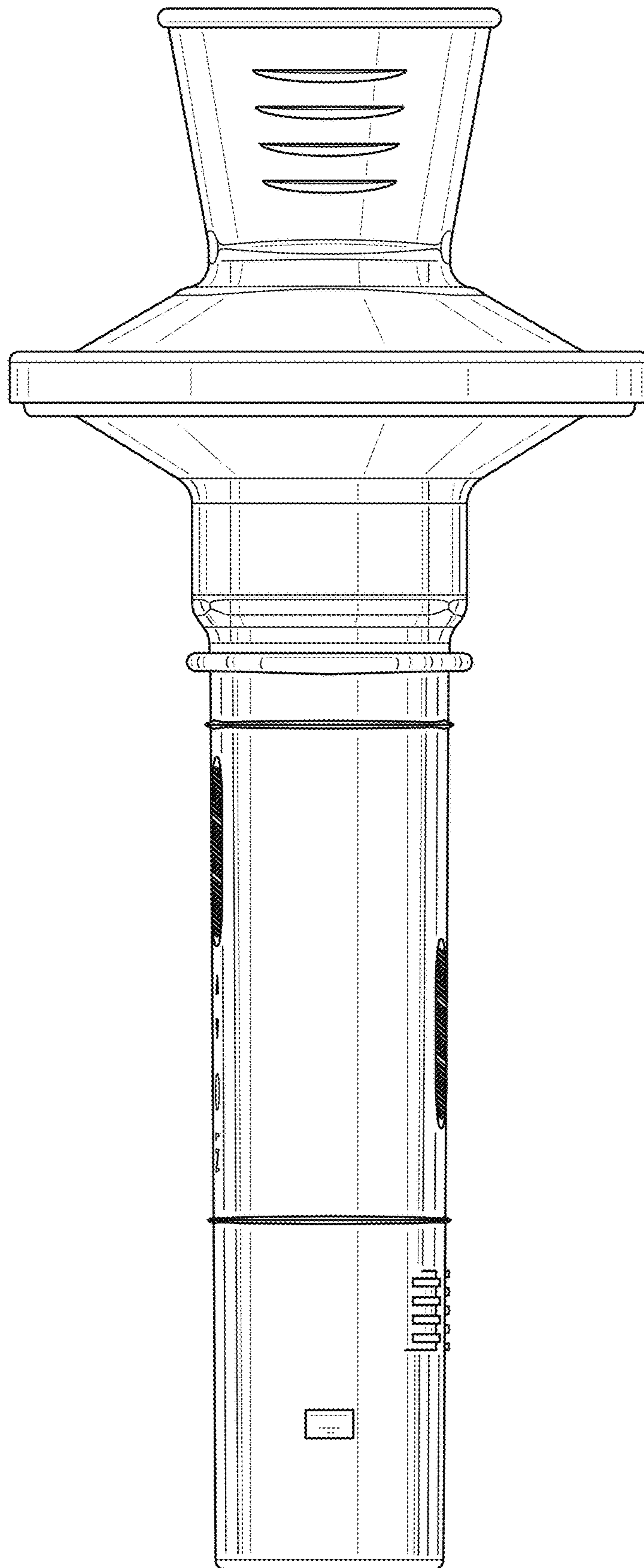


FIG. 7