



US00D775346S

(12) **United States Design Patent** (10) **Patent No.:** **US D775,346 S**
Bath et al. (45) **Date of Patent:** **** Dec. 27, 2016**

(54) **POSITIVE AIRWAY PRESSURE DELIVERY CONSOLE**

FOREIGN PATENT DOCUMENTS

(71) Applicant: **ResMed Limited**, Bella Vista, New South Wales (AU)

EM 001312953-0001 3/2012
EM 001312953-0002 3/2012

(Continued)

(72) Inventors: **Andrew Roderick Bath**, Sydney (AU); **Mark Bertinetti**, Sydney (AU); **Clementine Desvoyes**, Sydney (AU); **Justin John Formica**, Sydney (AU); **Matthew Rolf Harrington**, Gosford (AU); **Barton John Kenyon**, Sydney (AU); **Dimitri Marco Maurer**, Gosford (AU); **Joseph Samuel Ormrod**, Sydney (AU); **Henri Spaile**, Sydney (AU); **Hargopal Verma**, Sydney (AU); **Justin Peter Wagemakers**, Sydney (AU); **Chengwei Zhu**, Sydney (AU)

OTHER PUBLICATIONS

Office Action mailed Jan. 20, 2016 in U.S. Appl. No. 29/515,282 (7 pages).

(Continued)

Primary Examiner — Rhea Shields
(74) *Attorney, Agent, or Firm* — Nixon & Vanderhye P.C.

(73) Assignee: **ResMed Limited**, Bella Vista (AU)

(57) **CLAIM**

The ornamental design for a positive airway pressure delivery console, as shown and described.

(**) Term: **14 Years**

(21) Appl. No.: **29/523,902**

DESCRIPTION

(22) Filed: **Apr. 15, 2015**

Related U.S. Application Data

(62) Division of application No. 29/482,519, filed on Feb. 19, 2014, now Pat. No. Des. 743,556.

(51) **LOC (10) Cl.** **24-00**

(52) **U.S. Cl.**
USPC **D24/164**

(58) **Field of Classification Search**
USPC D24/164, 110; 128/205.24, 204.21;
D23/235, 356; 137/512, 102

(Continued)

FIG. 1 is a perspective view, from the front, right corner, of a positive airway pressure delivery console according to our new design;
FIG. 2 is a front view thereof;
FIG. 3 is a rear view thereof;
FIG. 4 is a top view thereof;
FIG. 5 is a bottom view thereof;
FIG. 6 is a right side view thereof; and
FIG. 7 is a left side view thereof;
FIG. 8 is a perspective view, from the front, right corner, of a positive airway pressure delivery console according to our new design;
FIG. 9 is a front view thereof;
FIG. 10 is a rear view thereof;
FIG. 11 is a top view thereof;
FIG. 12 is a bottom view thereof;
FIG. 13 is a right side view thereof; and
FIG. 14 is a left side view thereof.

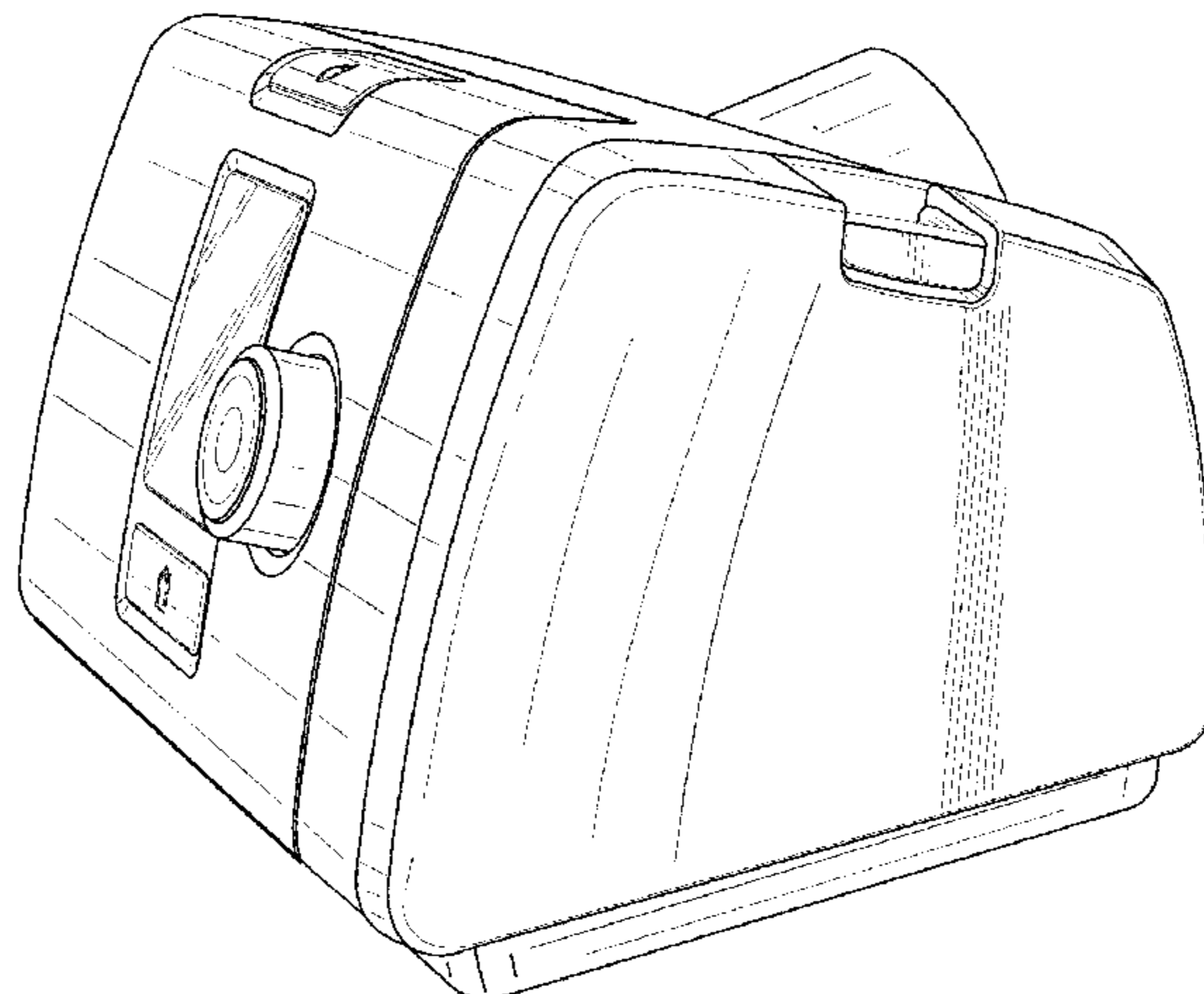
(56) **References Cited**

U.S. PATENT DOCUMENTS

2,073,335 A 3/1937 Karl
2,516,864 A 8/1950 Gilmore

(Continued)

1 Claim, 12 Drawing Sheets



(58) **Field of Classification Search**
 CPC A61M 16/20; A62B 7/02; F04B 39/1033;
 G05D 16/10
 See application file for complete search history.

(56) **References Cited**

U.S. PATENT DOCUMENTS

2,524,522 A 10/1950 Gilmore
 2,954,802 A 10/1960 Duff
 3,163,707 A 12/1964 Darling
 D217,550 S 5/1970 Campbell
 D280,765 S 9/1985 Alvino
 D302,040 S 7/1989 Lambert
 D360,027 S 7/1995 Psaros
 D378,128 S 2/1997 Rozek et al.
 D421,298 S * 2/2000 Kenyon D24/110
 D436,401 S * 1/2001 Remes D24/164
 D439,326 S 3/2001 Hecker
 D464,724 S 10/2002 Lynch et al.
 D467,335 S 12/2002 Lithgow et al.
 D473,941 S 4/2003 Cise
 D476,077 S 6/2003 Lithgow et al.
 D476,731 S 7/2003 Cise
 D486,909 S 2/2004 Cise
 6,722,904 B2 4/2004 Linhart
 D493,520 S * 7/2004 Bertinetti D24/110
 D493,884 S * 8/2004 Virr D24/110
 D497,203 S 10/2004 Lithgow et al.
 D500,847 S 1/2005 Manke et al.
 D504,945 S 5/2005 Van Brunt et al.
 D544,598 S * 6/2007 Lithgow D24/110
 7,226,302 B2 6/2007 Walter
 7,237,770 B2 7/2007 Lipscombe et al.
 D550,349 S * 9/2007 Lithgow D24/110
 D560,795 S * 1/2008 Lithgow D24/110
 D561,881 S 2/2008 Huang
 D561,890 S * 2/2008 Lithgow D24/110
 D561,891 S * 2/2008 Lithgow D24/110
 D570,473 S 6/2008 Hamaguchi et al.
 D572,355 S 7/2008 Gao
 D578,204 S * 10/2008 Lithgow D24/110
 D580,060 S * 11/2008 Adams D24/164
 D585,131 S * 1/2009 Trevor-Wilson D24/110
 D585,540 S * 1/2009 Lithgow D24/110
 D590,494 S * 4/2009 Lithgow D24/110
 D592,301 S 5/2009 Cork et al.
 D594,102 S 6/2009 Israel et al.
 D597,186 S 7/2009 Campbell et al.
 D602,585 S 10/2009 Blackwell et al.
 D604,830 S * 11/2009 Lithgow D24/110
 D606,655 S 12/2009 Wilkinson et al.
 D607,107 S 12/2009 McCombs et al.
 D609,318 S 2/2010 Lam
 D610,250 S 2/2010 Neuner
 D611,593 S * 3/2010 Lithgow D24/110
 D612,480 S * 3/2010 Cork D24/110
 D614,286 S * 4/2010 Lithgow D24/110
 D620,102 S 7/2010 Klien et al.
 D621,031 S * 8/2010 Lithgow D24/110
 D627,044 S * 11/2010 Virr D23/356
 D628,288 S 11/2010 Row et al.
 D629,891 S 12/2010 Virr et al.
 D629,892 S 12/2010 Hill et al.
 D635,244 S * 3/2011 Virr D24/110
 D635,245 S * 3/2011 Virr D24/110
 D635,654 S * 4/2011 Virr D23/356
 D638,536 S 5/2011 Row et al.
 D638,537 S 5/2011 Virr et al.
 D638,933 S 5/2011 Hill et al.
 D643,114 S * 8/2011 Virr D24/110
 D644,731 S 9/2011 Fangrow, Jr.
 D650,479 S 12/2011 Row et al.
 D652,916 S 1/2012 Row et al.
 D652,917 S 1/2012 Hill et al.
 8,100,127 B2 1/2012 Worley
 D655,813 S 3/2012 Row et al.

D658,283 S * 4/2012 Burz D24/110
 D659,235 S * 5/2012 Bertinetti D24/110
 D671,209 S 11/2012 Row et al.
 D675,730 S 2/2013 Lithgow et al.
 8,375,945 B2 2/2013 Kepler et al.
 D677,789 S 3/2013 Row et al.
 D680,636 S 4/2013 Ching
 D682,406 S 5/2013 Yeom
 D685,896 S 7/2013 Niedermann et al.
 D693,005 S 11/2013 Nawata et al.
 D696,393 S 12/2013 Lu
 8,631,789 B2 1/2014 Virr et al.
 D699,356 S 2/2014 Patil
 D702,353 S 4/2014 Fujimoto et al.
 D703,311 S 4/2014 Daly
 D707,334 S 6/2014 Hernandez
 D707,338 S 6/2014 Ediger et al.
 D708,316 S 7/2014 Bertinetti et al.
 D710,989 S 8/2014 Bertinetti et al.
 D716,419 S 10/2014 Hernandez
 D716,452 S 10/2014 Hutchison
 D719,248 S 12/2014 Smith, Jr. et al.
 8,905,031 B2 12/2014 Barlow
 D729,936 S 5/2015 Reback
 D735,865 S 8/2015 Nishimura
 D736,371 S 8/2015 Row
 D738,488 S 9/2015 Formica et al.
 D738,489 S 9/2015 Formica et al.
 D741,477 S 10/2015 Rogers
 D742,508 S 11/2015 Row
 D743,556 S 11/2015 Bath et al.
 D744,108 S 11/2015 Verma et al.
 2006/0106345 A1 5/2006 Flaker et al.
 2007/0169776 A1 7/2007 Kepler et al.
 2007/0277828 A1 12/2007 Ho
 2009/0025724 A1 1/2009 Herron, Jr.
 2009/0123886 A1 5/2009 Vaska
 2009/0223514 A1 9/2009 Smith et al.
 2010/0116272 A1 5/2010 Row et al.
 2010/0307502 A1 12/2010 Rummery
 2011/0017212 A1 1/2011 Kenyon et al.
 2011/0023874 A1 2/2011 Bath
 2011/0100363 A1 5/2011 Barclay et al.
 2011/0155132 A1 6/2011 Virr et al.
 2011/0180068 A1 7/2011 Kenyon et al.
 2012/0227738 A1 9/2012 Virr
 2012/0285454 A1 11/2012 Nibu et al.
 2012/0304994 A1 12/2012 Kwok
 2013/0008440 A1 1/2013 Maurer et al.
 2013/0011823 A1 1/2013 Hassanein et al.
 2013/0206140 A1 8/2013 Kepler et al.
 2013/0239961 A1 9/2013 Ross et al.
 2013/0263854 A1 10/2013 Taylor et al.
 2013/0280055 A1 10/2013 Daly et al.
 2014/0130802 A1 5/2014 Virr et al.
 2014/0202460 A1 7/2014 Bath et al.
 2014/0216459 A1 8/2014 Vos et al.
 2014/0246025 A1 9/2014 Cragg et al.
 2015/0283350 A1 10/2015 Miller
 2015/0306326 A1 10/2015 Graham
 2015/0306332 A1 10/2015 Bafle
 2015/0335851 A1 11/2015 Cullen et al.
 2015/0359989 A1 12/2015 Potharaju et al.

FOREIGN PATENT DOCUMENTS

EM 001312953-0003 3/2012
 EM 001312953-0004 3/2012
 EM 001312953-0005 3/2012
 EP 2 703 034 A2 8/2013
 WO WO 2011/056080 A1 5/2011
 WO WO 2012/160477 A1 11/2012

OTHER PUBLICATIONS

ResMed S9™ Series, No Other Sleep Therapy System Delivers,
 2010 (12 pages).

(56)

References Cited

OTHER PUBLICATIONS

Philips Respiroics, System One Sleep Therapy System, May 2012 (2 pages).

Fisher & Paykel Healthcare, Icon Brochure, 2010 (2 pages).

Fisher & Paykel Healthcare, Icon User Manual, Jan. 2010 (214 pages).

U.S. Appl. No. 29/482,519, filed Feb. 2014, Bath et al.

U.S. Appl. No. 29/480,971, filed Jan. 2014, Desvoyes et al.

U.S. Appl. No. 29/502,152, filed Sep. 2014, Bertinetti et al.

U.S. Appl. No. 29/482,541, filed Feb. 2014, Verma et al.

U.S. Appl. No. 29/485,313, filed Mar. 2014, Formica et al.

U.S. Appl. No. 29/492,344, filed May 2014, Bertinetti et al.

Office Action mailed Dec. 4, 2014 in U.S. Appl. No. 29/456,477 (9 pages).

Office Action mailed Dec. 3, 2014 in U.S. Appl. No. 29/456,458 (7 pages).

U.S. Appl. No. 61/838,971, filed Jun. 2013, Huby et al.

U.S. Appl. No. 61/987,245, filed May 2014, Foote et al.

U.S. Appl. No. 29/456,458, filed May 2013, Formica et al.

U.S. Appl. No. 29/456,477, filed May 2013, Formica et al.

* cited by examiner

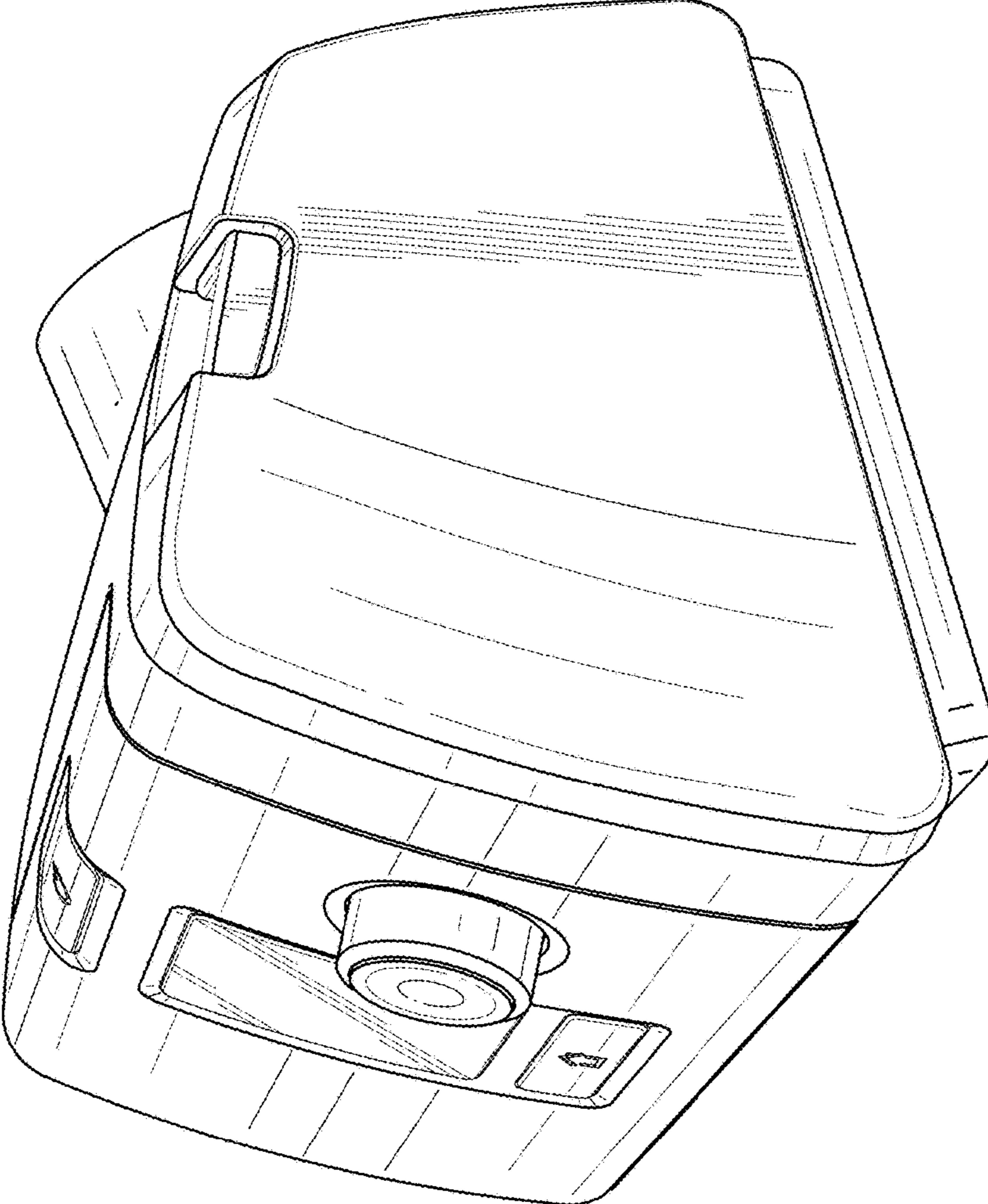


FIG. 1

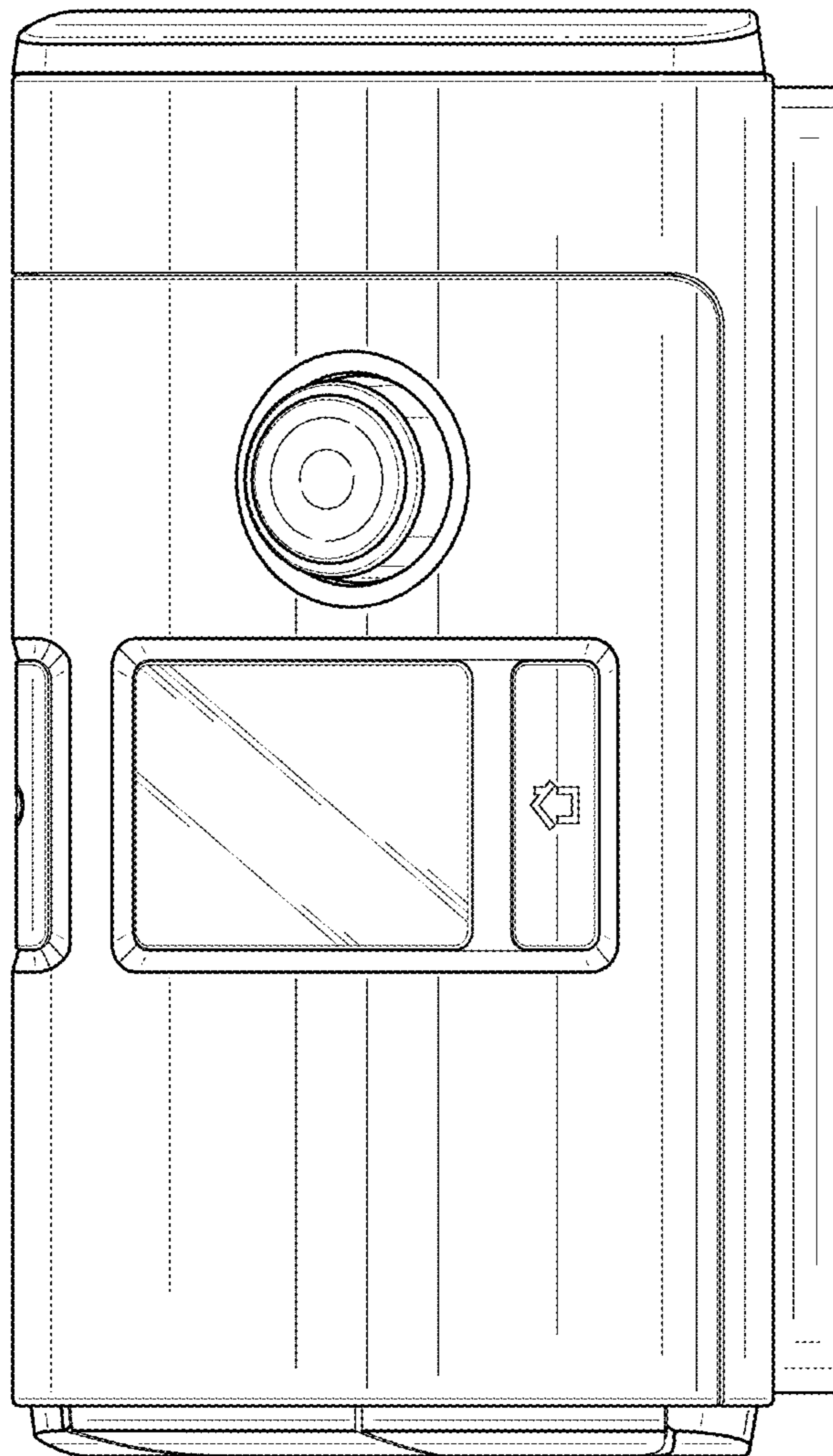


FIG. 2

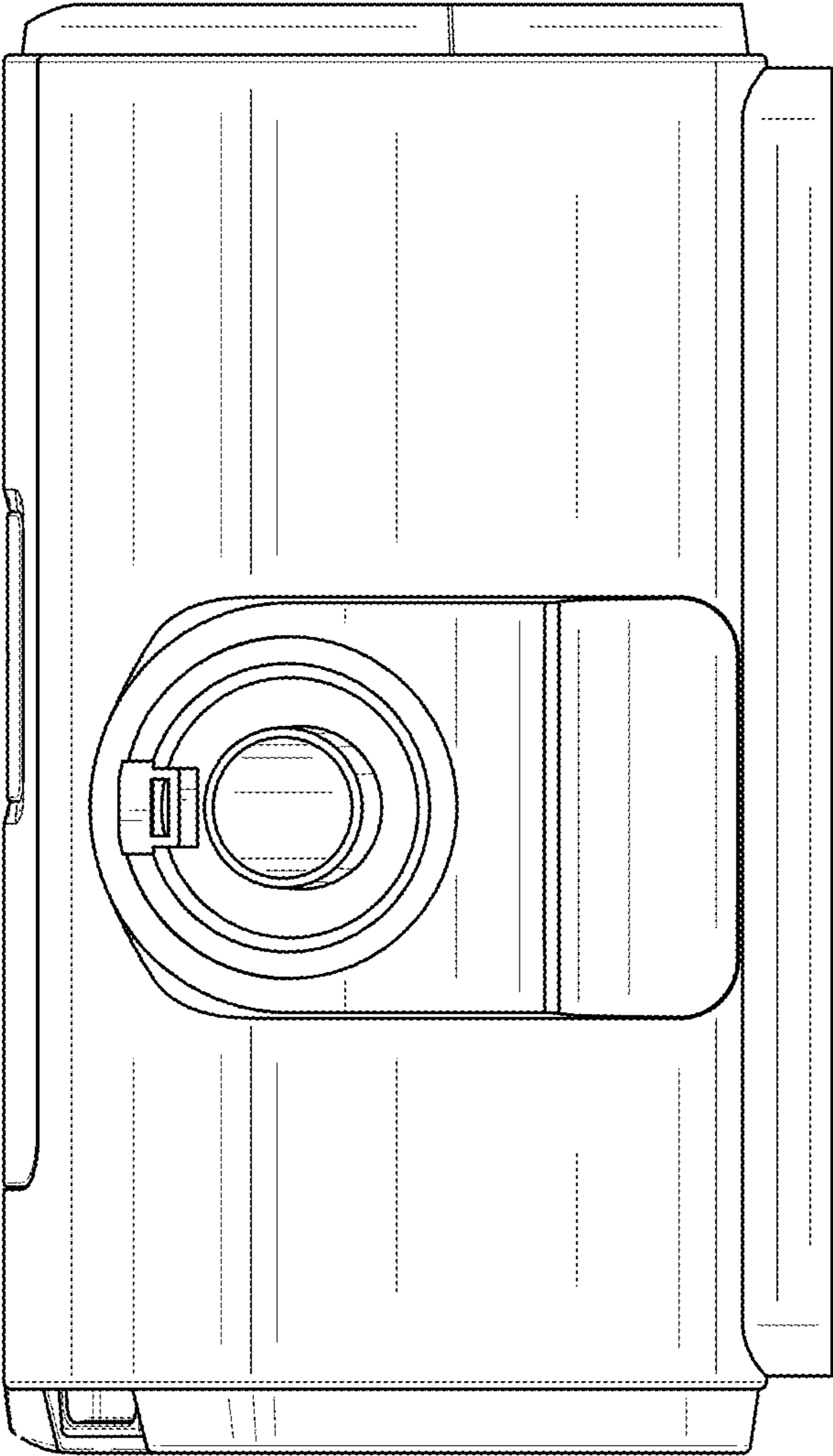


FIG. 3

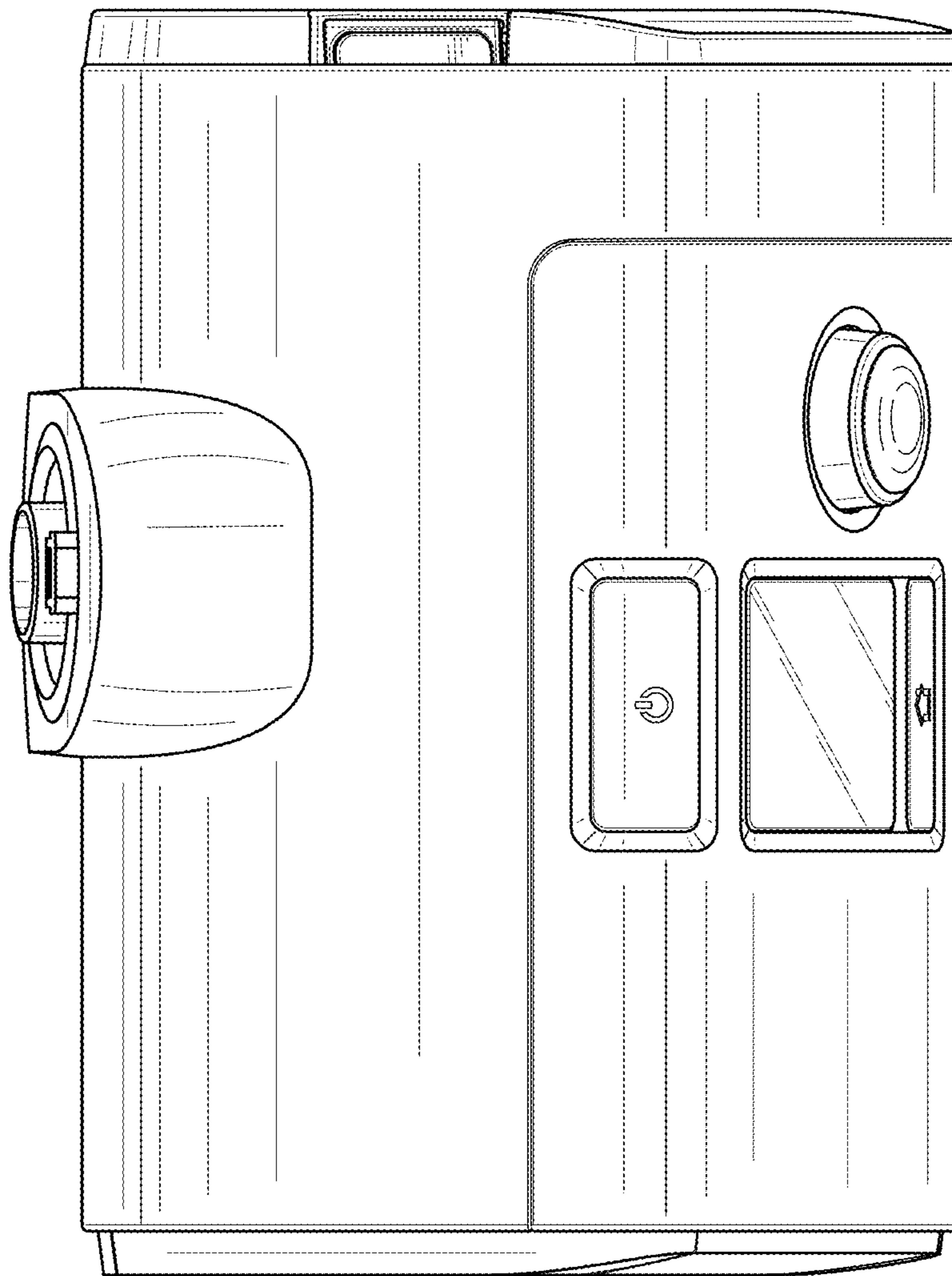


FIG. 4

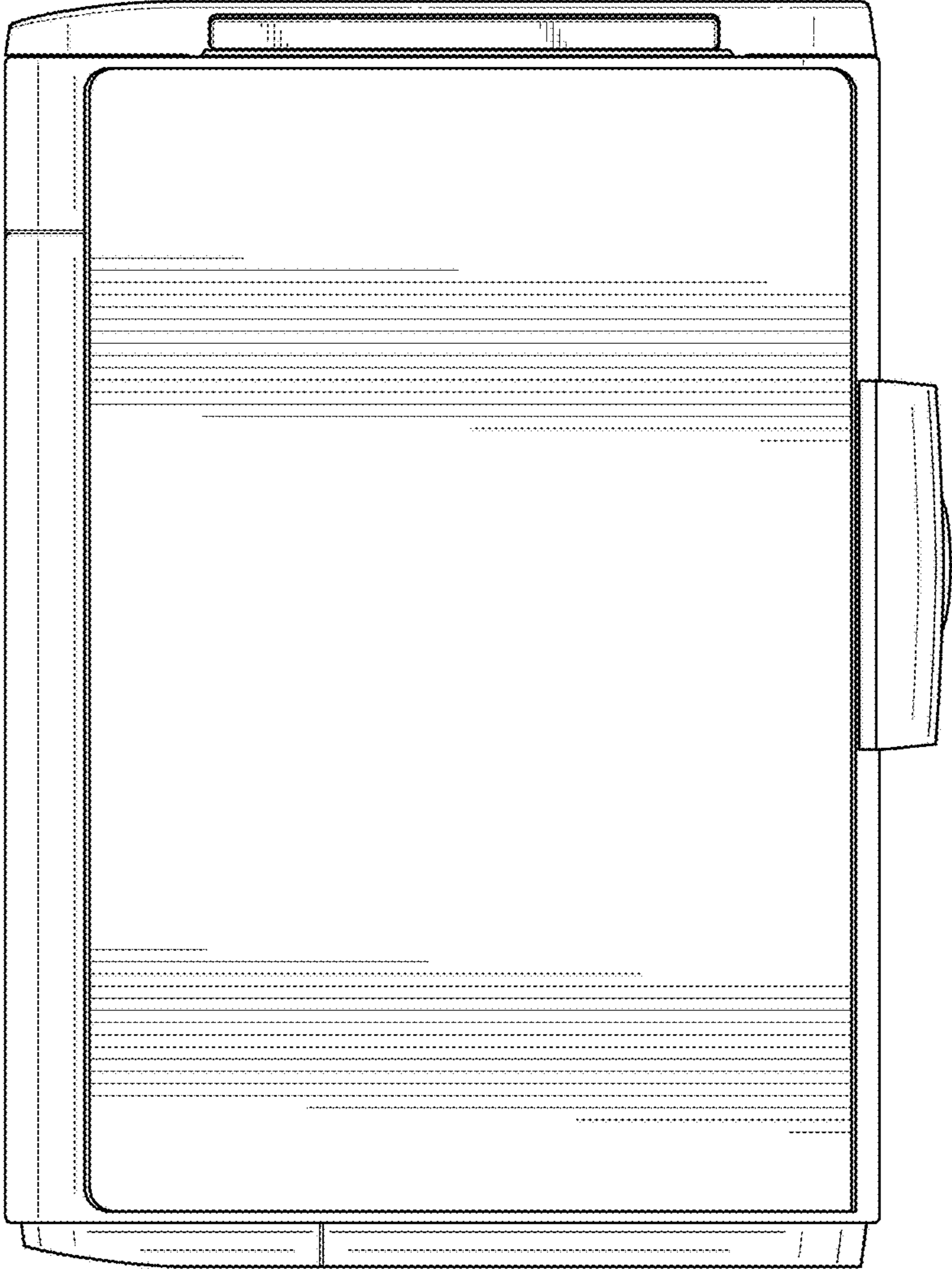


FIG. 5

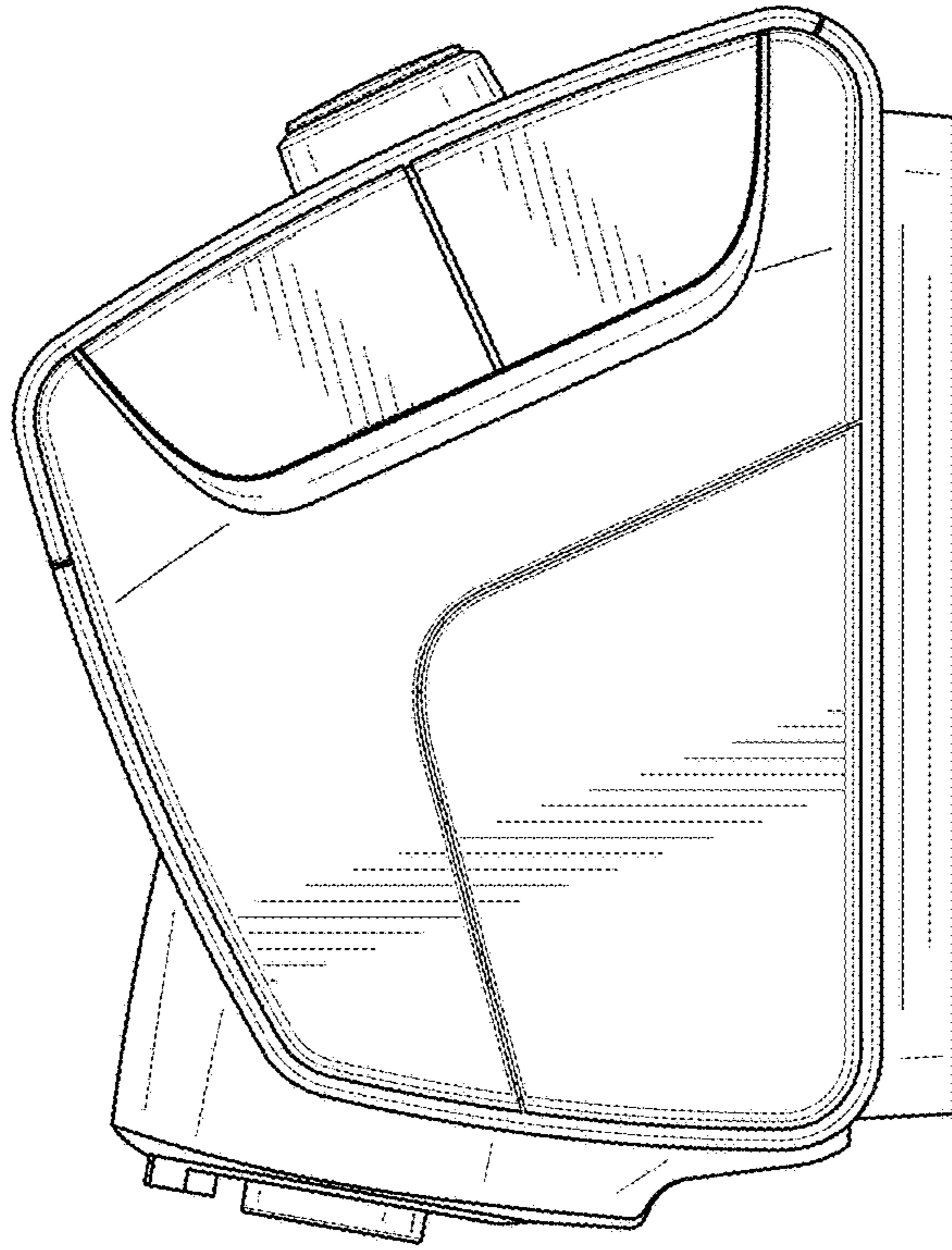


FIG. 7

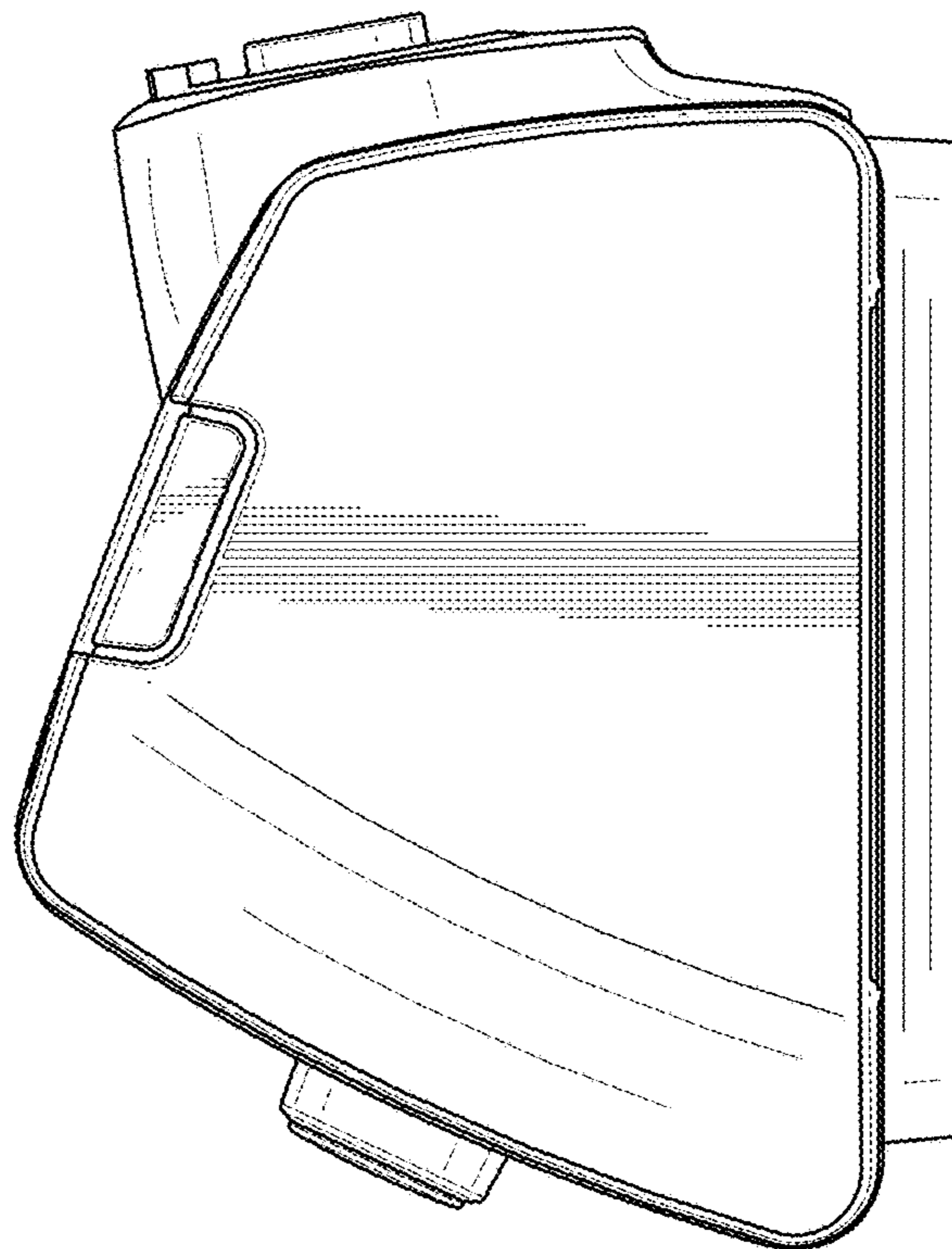


FIG. 6

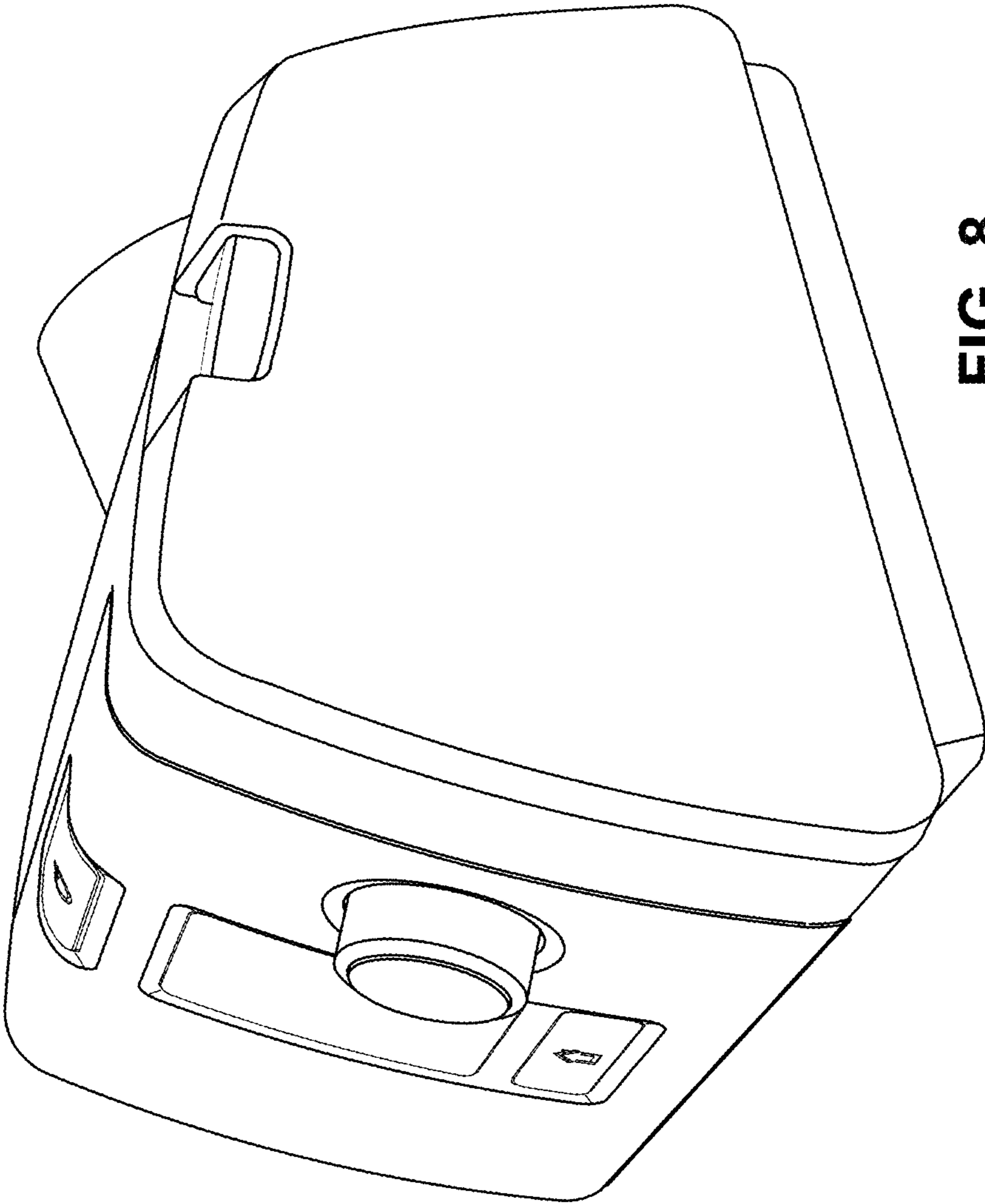


FIG. 8

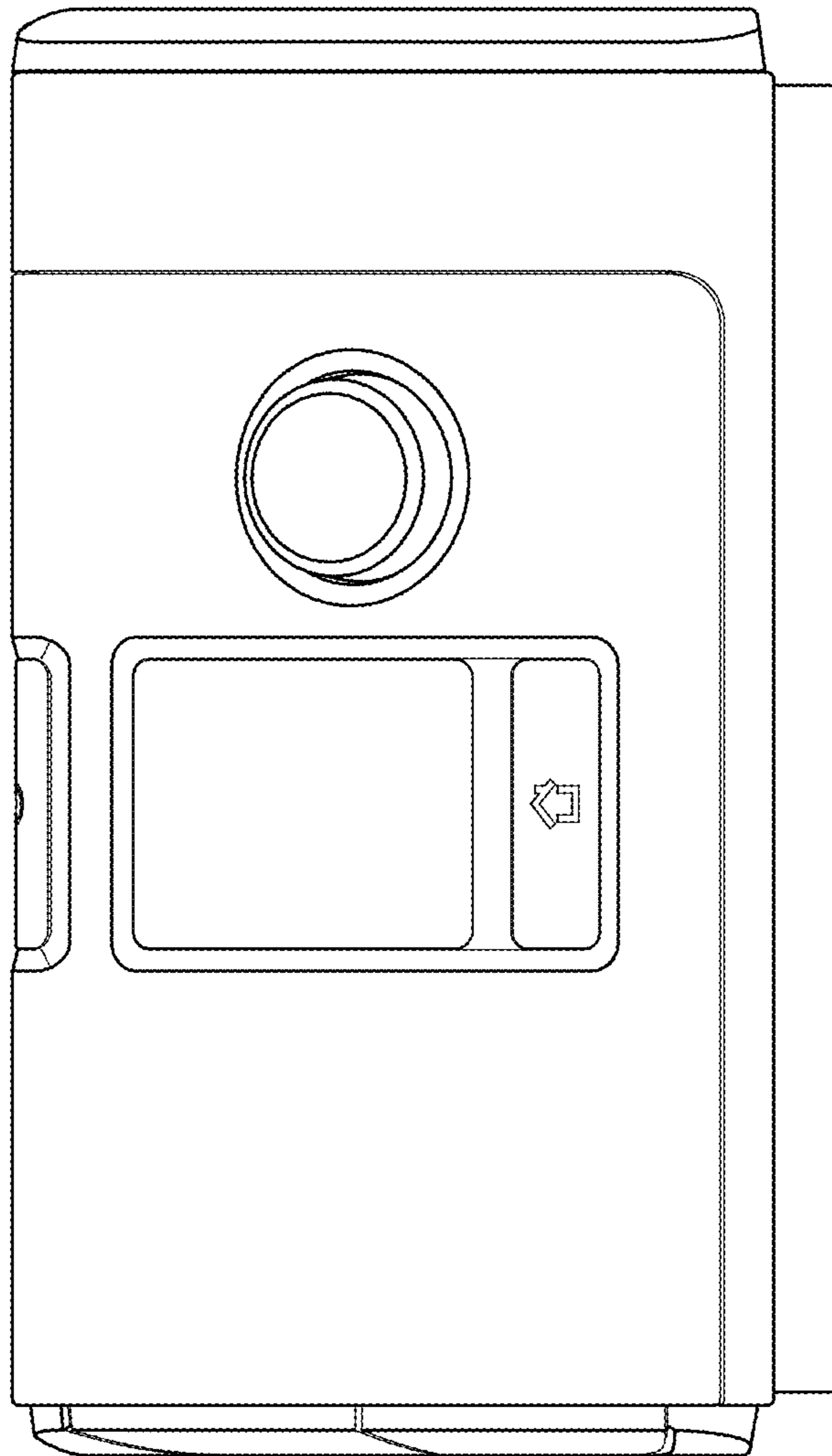


FIG. 9

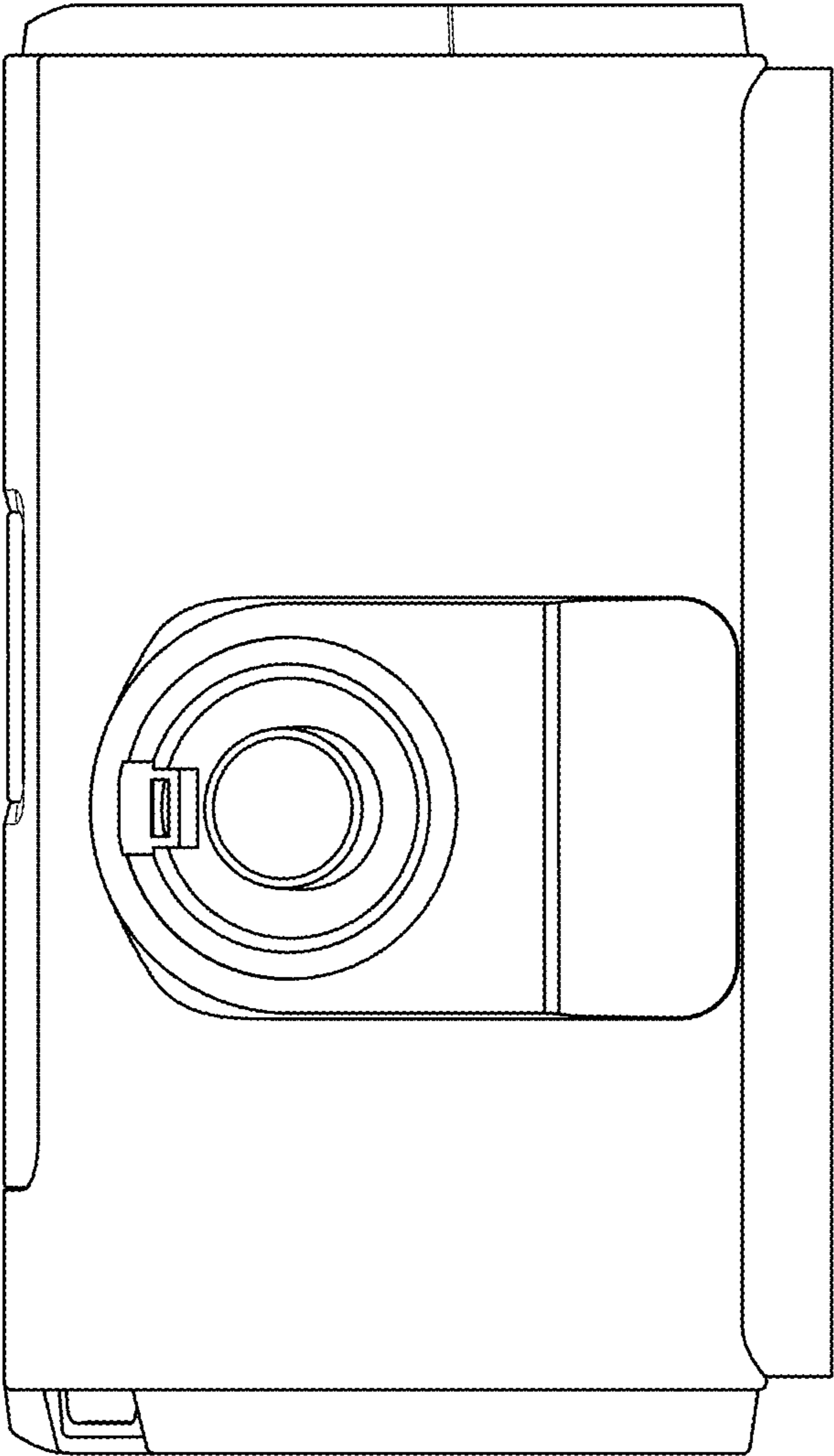


FIG. 10

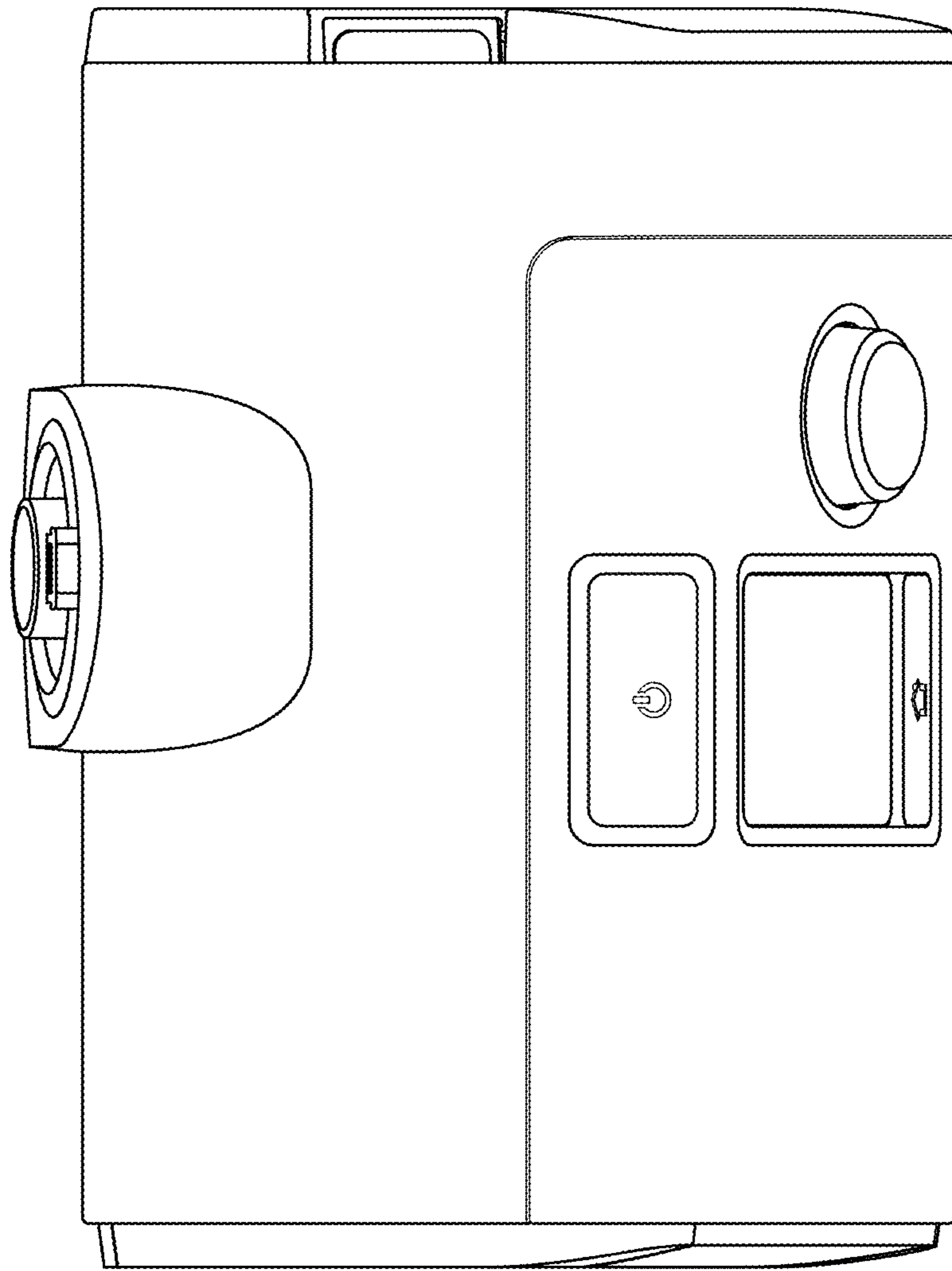


FIG. 11

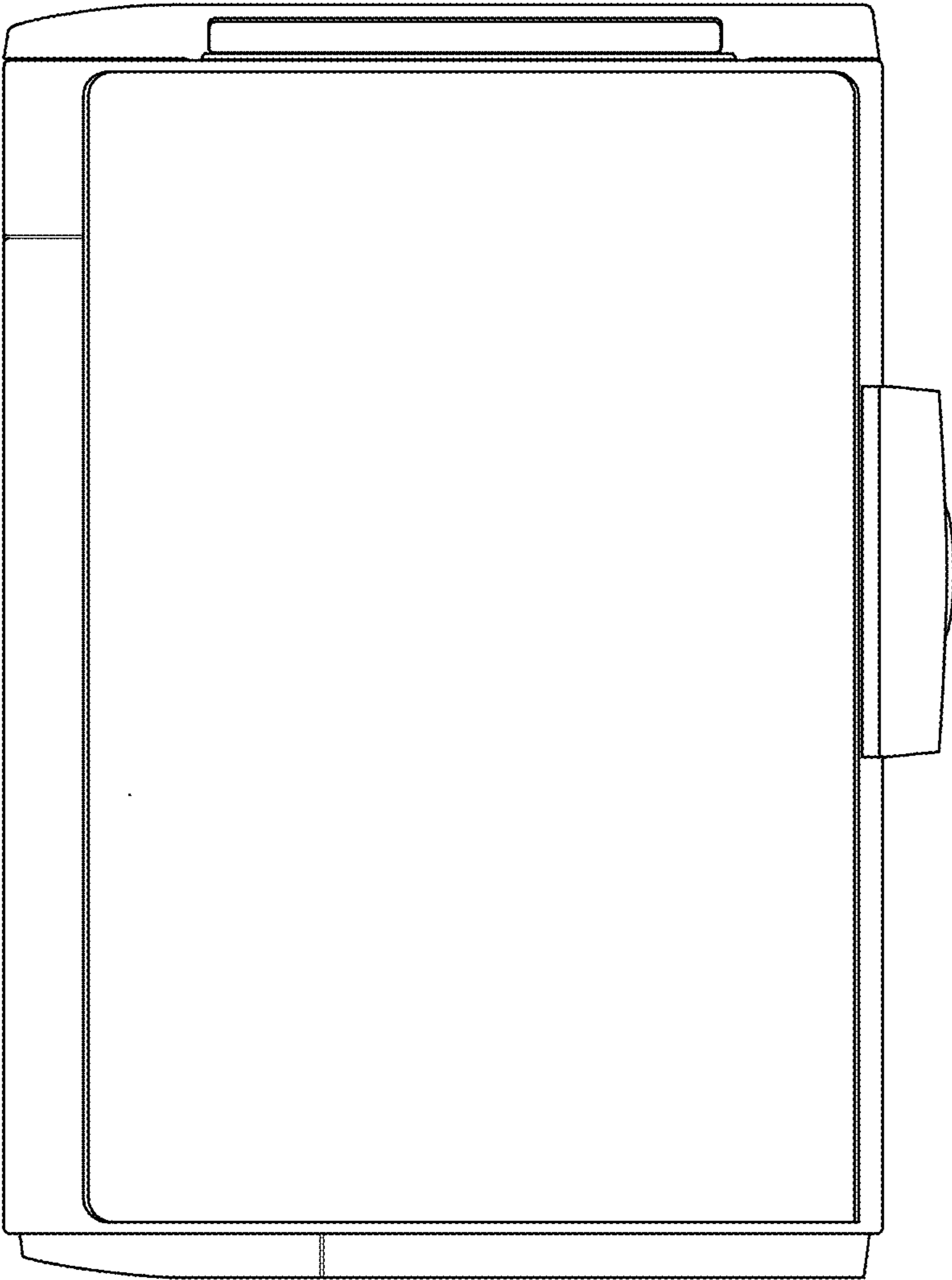


FIG. 12

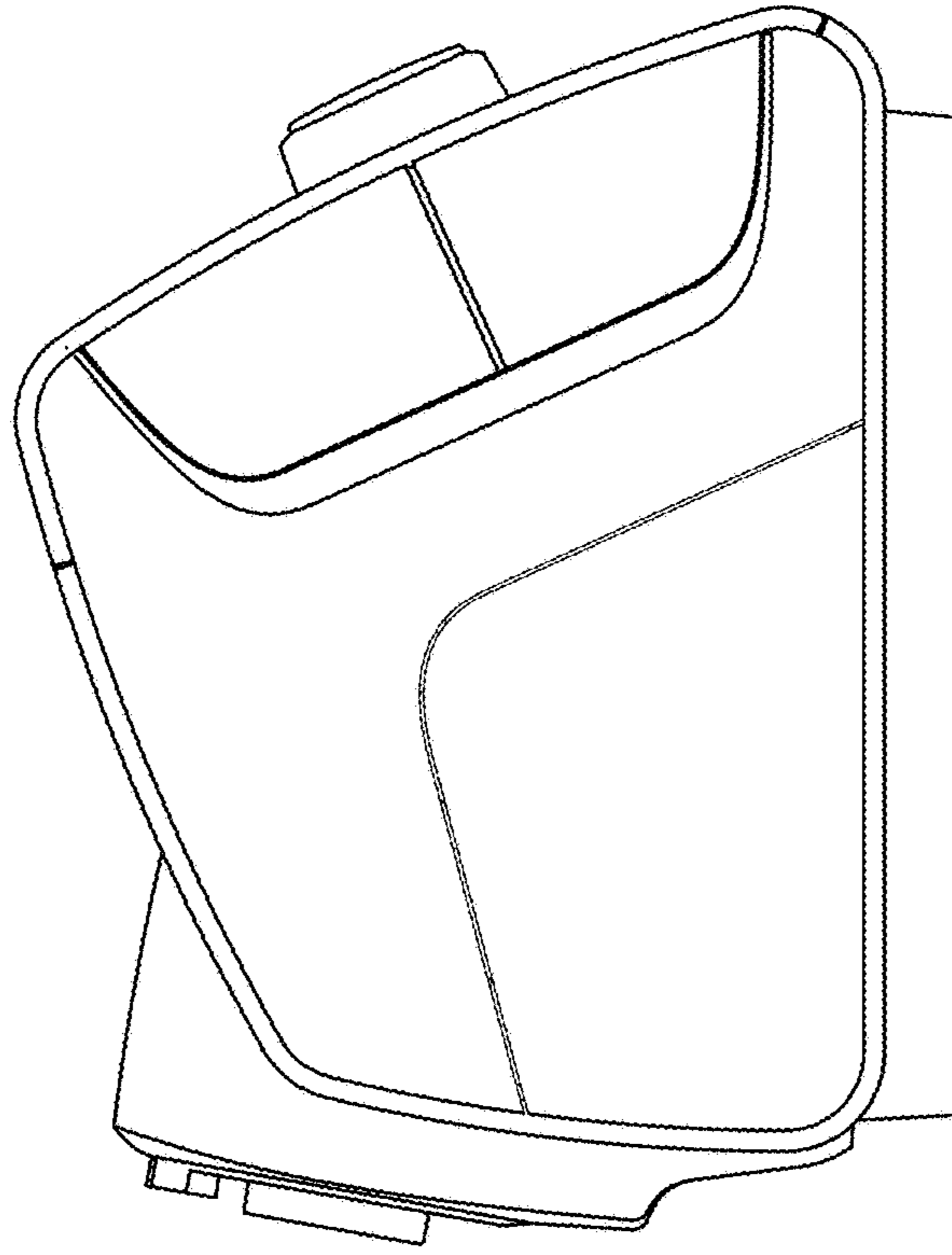


FIG. 14

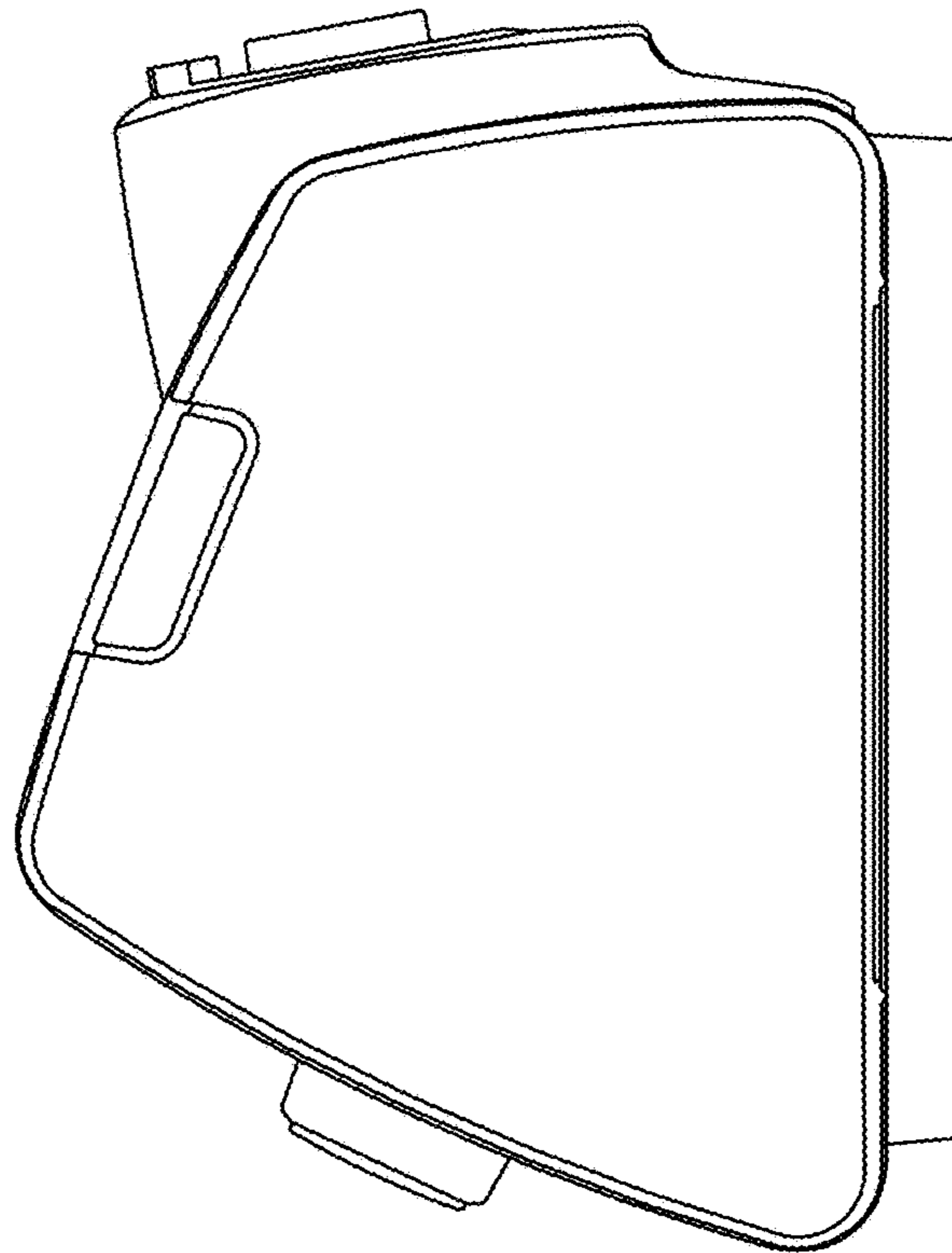


FIG. 13