



US00D775343S

(12) **United States Design Patent**
Boccabella

(10) **Patent No.:** **US D775,343 S**

(45) **Date of Patent:** **** Dec. 27, 2016**

(54) **PLEATED LABORATORY SCREEN**

(71) Applicant: **Teccrn International Ltd.**, Hamilton (CA)

(72) Inventor: **Joe Boccabella**, Hamilton (CA)

(**) Term: **15 Years**

(21) Appl. No.: **29/532,423**

(22) Filed: **Jul. 7, 2015**

(51) **LOC (10) Cl.** **24-00**

(52) **U.S. Cl.**
USPC **D24/162**

(58) **Field of Classification Search**
USPC D24/162, 106, 189, 110.1, 110; D23/209;
D10/81; 209/405; 210/645, 446, 304,
210/321.84
CPC B07B 1/4645; A61M 1/3627; B01D 61/18
See application file for complete search history.

D319,504 S *	8/1991	Sone	D24/162
D328,789 S *	8/1992	Kopf	D24/162
D340,983 S *	11/1993	Spielberg	D24/162
D414,861 S *	10/1999	Metzger	D24/110
D542,931 S *	5/2007	Pukall	D10/81
D652,506 S *	1/2012	Huberty	D24/110.1
D652,910 S *	1/2012	Duffy	D24/110.1
D673,257 S *	12/2012	Landaverde, Jr.	D24/106
D731,619 S *	6/2015	Smith	D23/209
D737,453 S *	8/2015	Gergely	D24/189
D744,654 S *	12/2015	Gerson	D24/162
D745,679 S *	12/2015	Verri	D24/162
D762,845 S *	8/2016	Dwyer	D24/110.1
2015/0165483 A1 *	6/2015	Boccabella	B07B 1/4645 209/405

* cited by examiner

Primary Examiner — Rhea Shields

(57) **CLAIM**

The ornamental design for a pleated laboratory screen, as shown and described.

DESCRIPTION

FIG. 1 is a top plan view of the present design a pleated laboratory screen.

FIG. 2 is a front plan view of the pleated laboratory screen shown in FIG. 1, with the rear plan view being a mirror image of the front.

FIG. 3 is a bottom plan view of the pleated laboratory screen shown in FIG. 1; and,

FIG. 4 is a cross sectional view taken along lines 4-4 shown in FIG. 1.

1 Claim, 2 Drawing Sheets

(56) **References Cited**

U.S. PATENT DOCUMENTS

4,253,967 A *	3/1981	Raible	A61M 1/3627 210/645
4,304,670 A *	12/1981	Watanabe	A61M 1/3627 210/446
4,411,783 A *	10/1983	Dickens	A61M 1/3627 210/304
4,829,005 A *	5/1989	Friedman	B01D 61/18 210/321.84
D305,934 S *	2/1990	Sone	D23/209
D317,201 S *	5/1991	Sone	D24/162

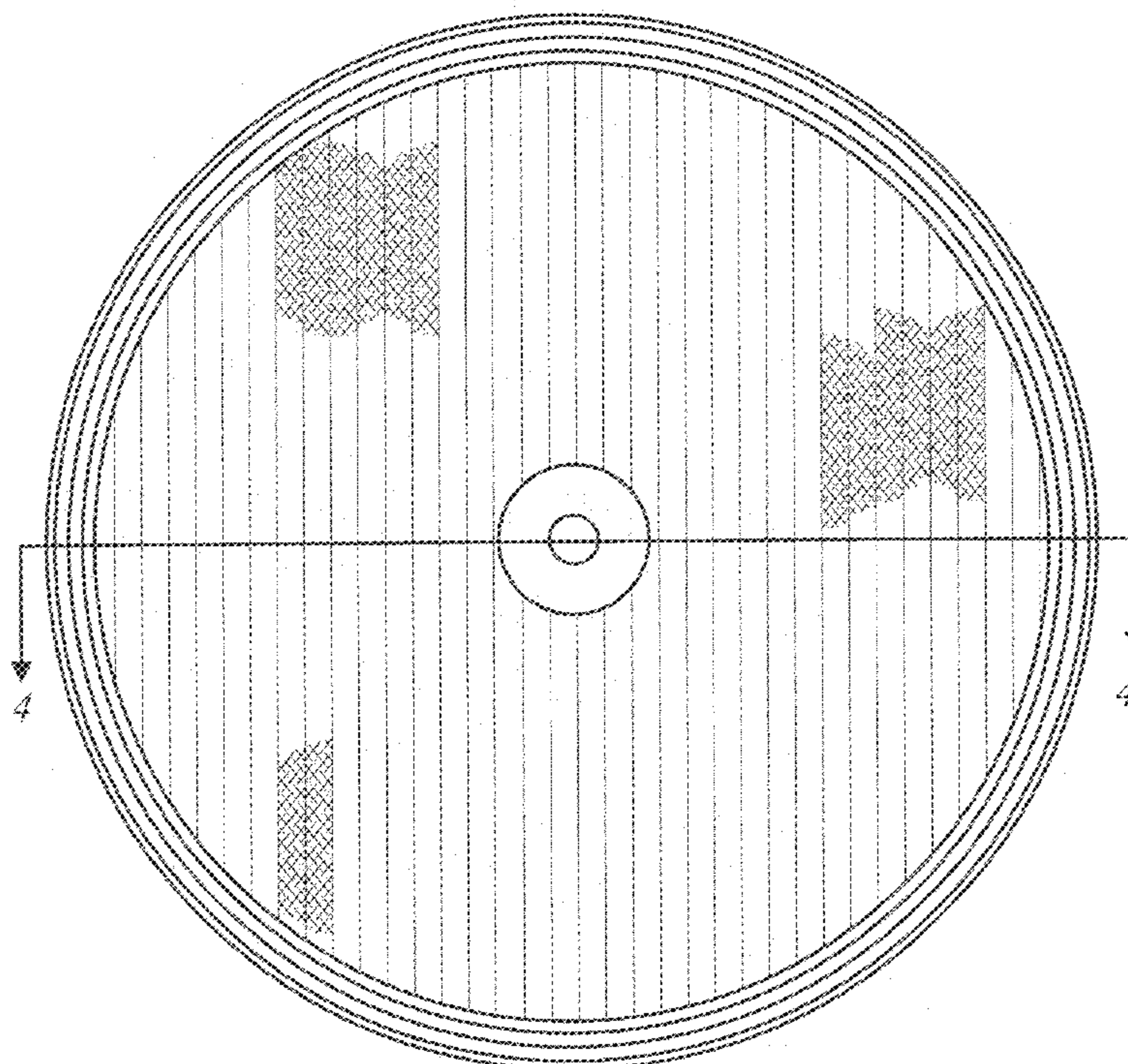


FIG. 2

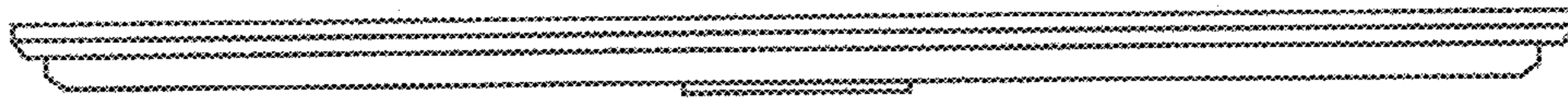


FIG. 1

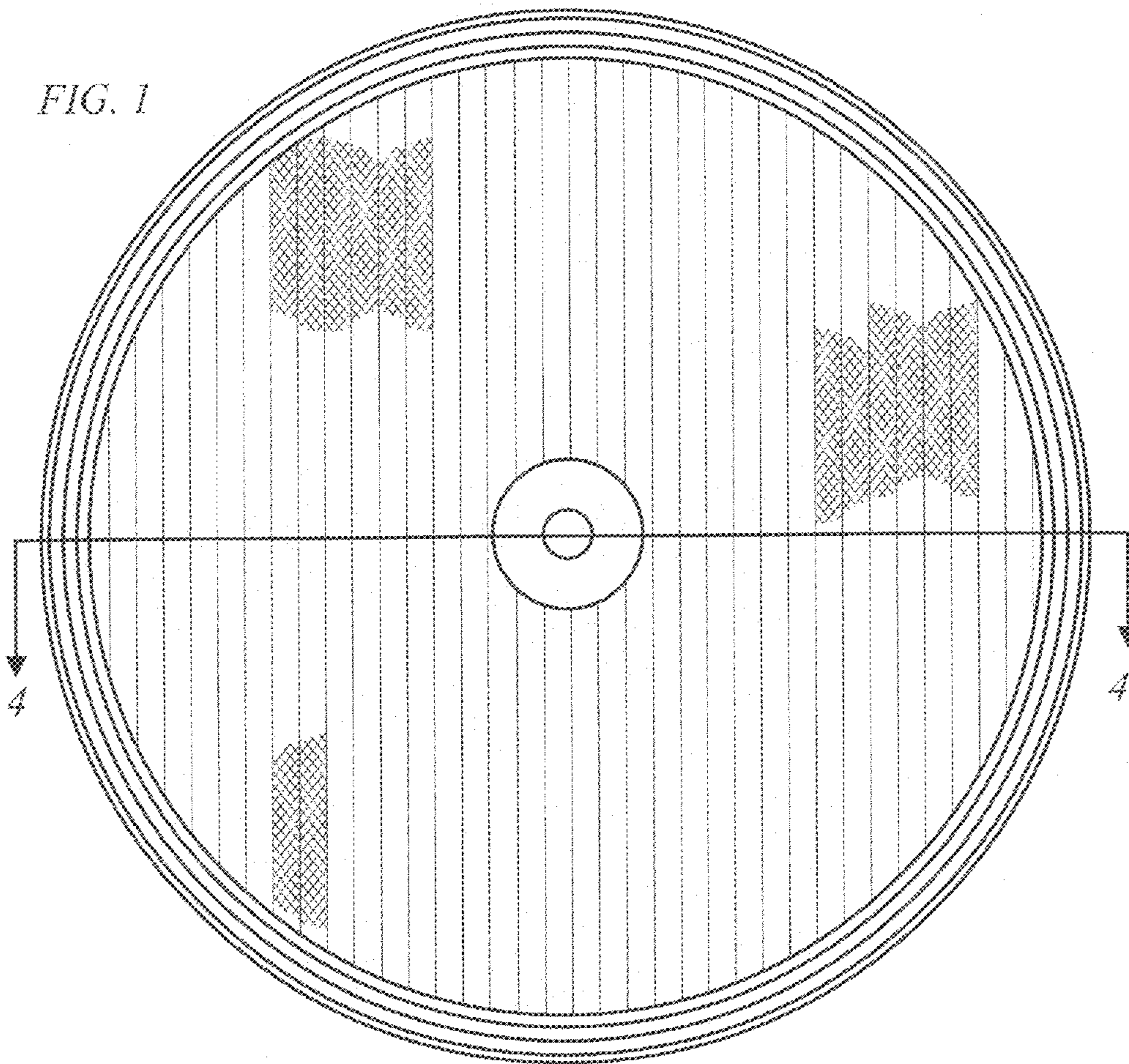


FIG. 4



FIG. 3

