



US00D775341S

(12) **United States Design Patent** (10) **Patent No.:** **US D775,341 S**  
**Holland et al.** (45) **Date of Patent:** **\*\* \*Dec. 27, 2016**

- (54) **FILTRATING SPIKE**
- (71) Applicant: **Neogen Corporation**, Lansing, MI (US)
- (72) Inventors: **James Braxton Holland**, Clinton, NC (US); **James Curtis Biggs, III**, Goldsboro, NC (US); **Paul C. Carney**, Oakfield, NY (US)
- (73) Assignee: **NEOGEN CORPORATION**, Lansing, MI (US)

D380,543	S	*	7/1997	Piontek et al.	.....	D24/108
D416,086	S	*	11/1999	Parris et al.	.....	D24/112
D425,618	S	*	5/2000	Niermann et al.	.....	D24/122
D469,869	S	*	2/2003	Farris	.....	D24/130
D487,149	S	*	2/2004	Farris	.....	D24/130
D615,648	S	*	5/2010	Burke	.....	D24/130
D620,075	S	*	7/2010	Yamaguchi et al.	.....	D23/209
D634,007	S	*	3/2011	Zinger et al.	.....	D24/129
7,905,869	B2	*	3/2011	Prindle	.....	604/272
D636,878	S	*	4/2011	Lee	.....	D24/162
D681,816	S	*	5/2013	Taylor et al.	.....	D24/162
D692,555	S	*	10/2013	Maksym et al.	.....	D24/110.5
D692,556	S	*	10/2013	Winter	.....	D24/110.6
D693,467	S	*	11/2013	Doucette et al.	.....	D24/162

(Continued)

(\*) Notice: This patent is subject to a terminal disclaimer.

(\*\*) Term: **14 Years**

(21) Appl. No.: **29/480,656**

(22) Filed: **Jan. 28, 2014**

(51) **LOC (10) Cl.** ..... **24-00**

(52) **U.S. Cl.**  
USPC ..... **D24/162**

(58) **Field of Classification Search**  
USPC ... D24/162, 112, 129, 108, 122, 130, 110.6, D24/110.5, 113; 604/411, 168.01, 272; D23/209  
CPC ..... A61J 2001/201; A61M 25/0693; A61M 5/3286

See application file for complete search history.

(56) **References Cited**

**U.S. PATENT DOCUMENTS**

2,746,455	A	*	5/1956	Abel	.....	604/411
D208,838	S	*	10/1967	St. Amand	.....	D24/112
4,317,445	A	*	3/1982	Robinson	.....	604/168.01
D267,270	S	*	12/1982	Mittleman	.....	D24/112
D272,850	S	*	2/1984	Kulle	.....	D24/112
D300,177	S	*	3/1989	Bellotti et al.	.....	D24/129
D314,051	S	*	1/1991	Berglund et al.	.....	D24/129
D351,230	S	*	10/1994	Rakin et al.	.....	D24/162
D357,733	S	*	4/1995	Matkovich	.....	D24/112

**OTHER PUBLICATIONS**

Drawings of Prima Tech, USA, Remote Draw-Off spike sold prior to Jan. 28, 2013.

*Primary Examiner* — Rhea Shields  
(74) *Attorney, Agent, or Firm* — Honigman Miller Schwartz and Cohn LLP; Douglas H. Siegel; Jonathan P. O'Brien

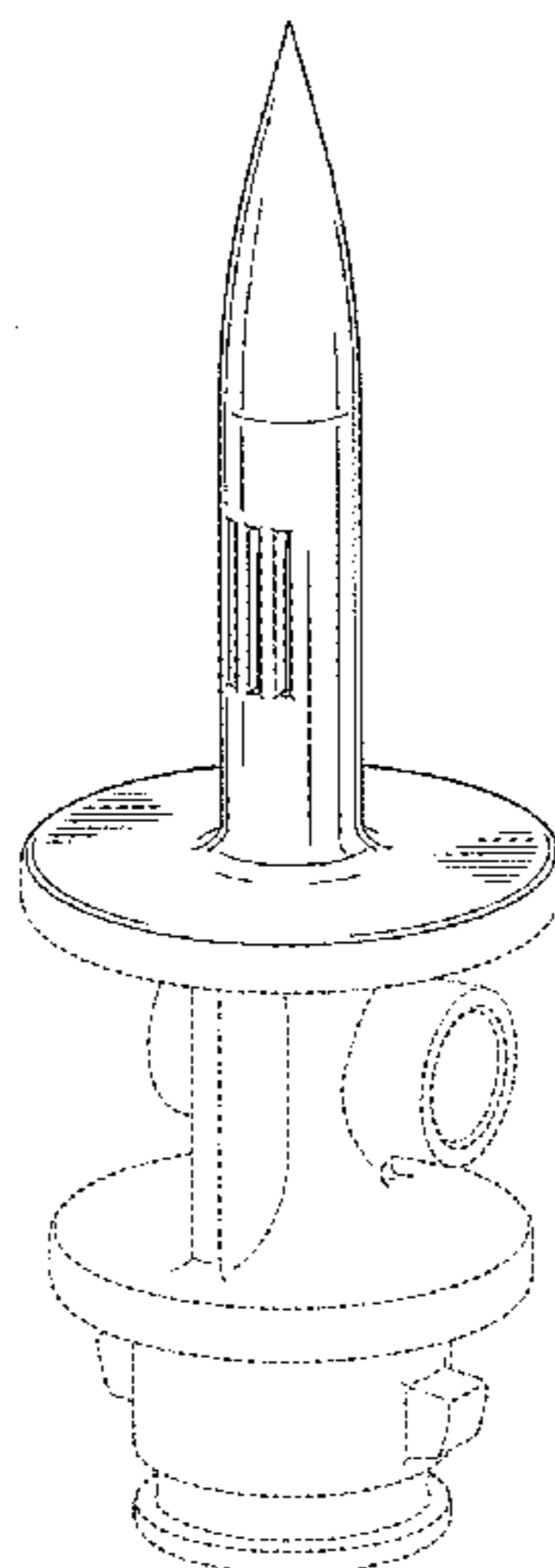
(57) **CLAIM**

The ornamental design for a filtrating spike, as shown and described.

**DESCRIPTION**

FIG. 1 is a left front isometric view of a filtrating spike, showing my new design;  
FIG. 2 is a front elevation view thereof;  
FIG. 3 is a back elevation view thereof;  
FIG. 4 is a right side elevation view thereof;  
FIG. 5 is a left side elevation view thereof;  
FIG. 6 is a top view thereof; and,  
FIG. 7 is a bottom view thereof.  
In the drawings, the broken lines are for the purpose of illustrating environment only and form no part of the claimed design.

**1 Claim, 4 Drawing Sheets**



(56)

**References Cited**

U.S. PATENT DOCUMENTS

D708,749 S	*	7/2014	Appling et al.	.....	D24/162
D709,188 S	*	7/2014	Guala	.....	D24/130
D717,941 S	*	11/2014	Mach et al.	.....	D24/113
D728,784 S	*	5/2015	Rogers	.....	D24/129
D729,344 S	*	5/2015	Colussi	.....	D23/209

\* cited by examiner

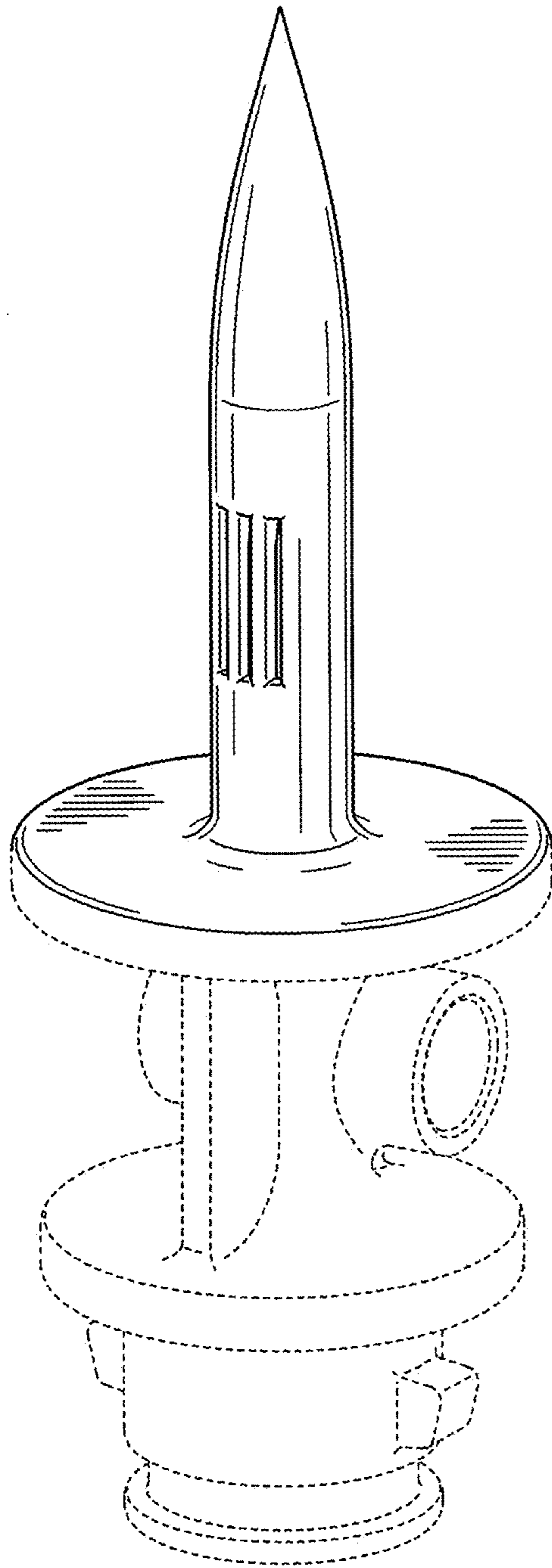


FIG. 1

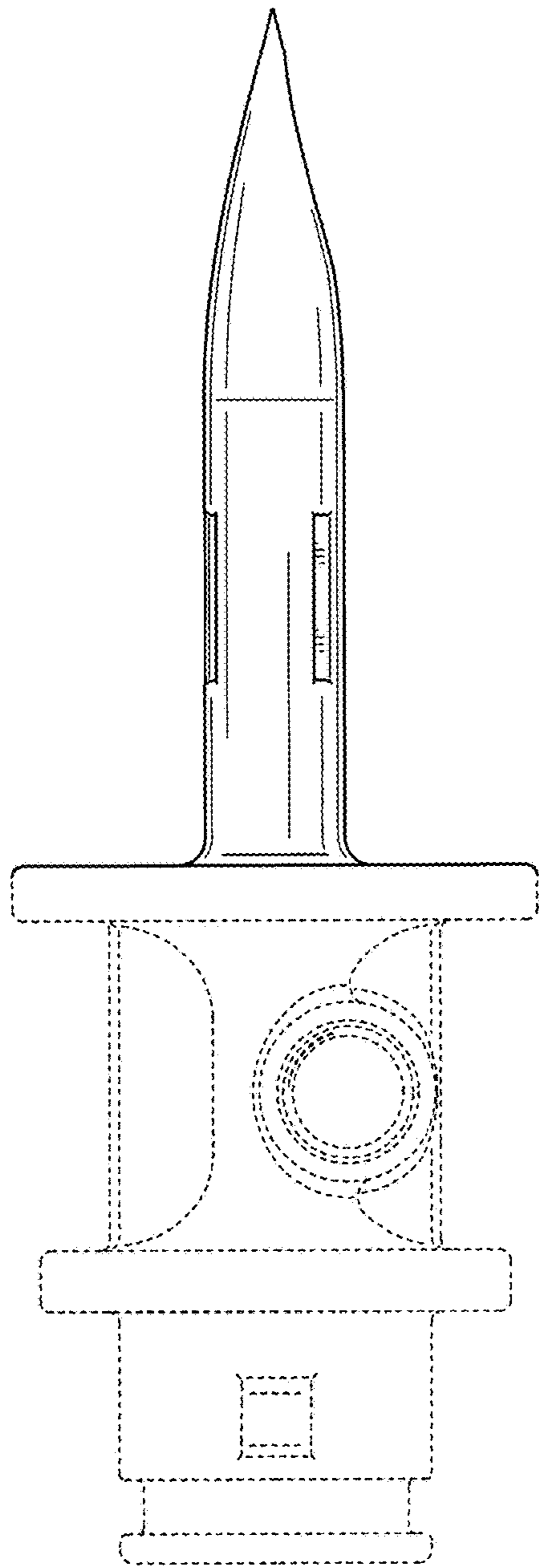


FIG. 2

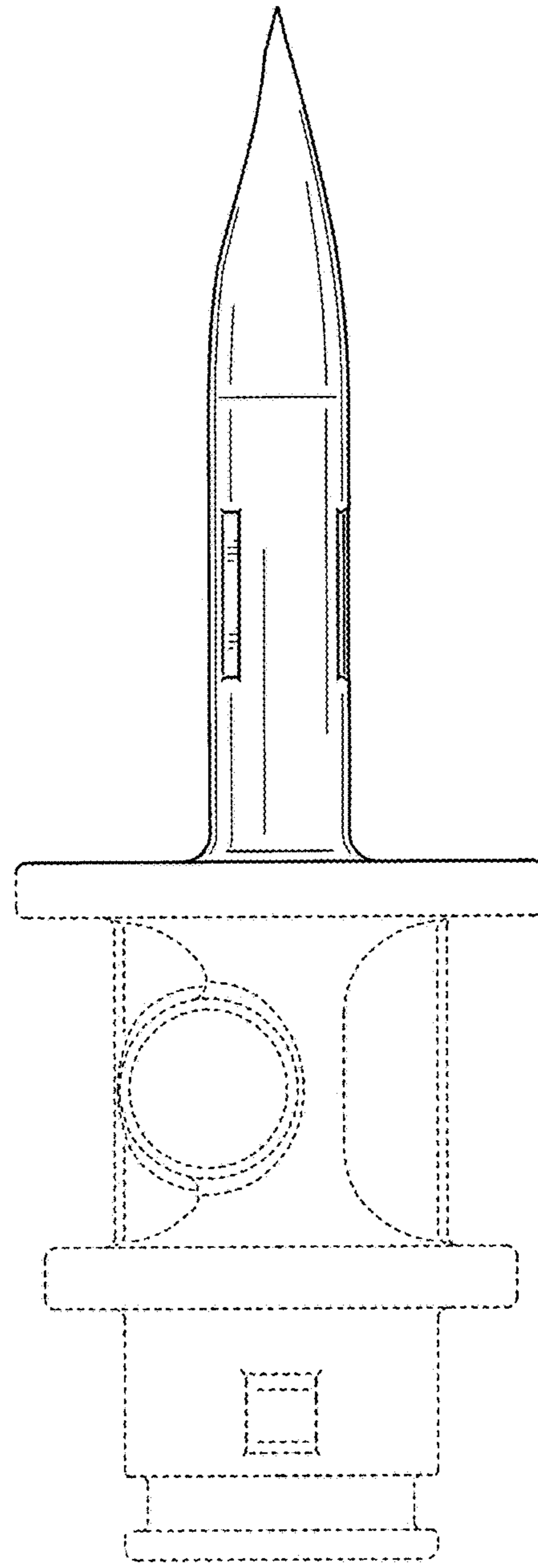


FIG. 3

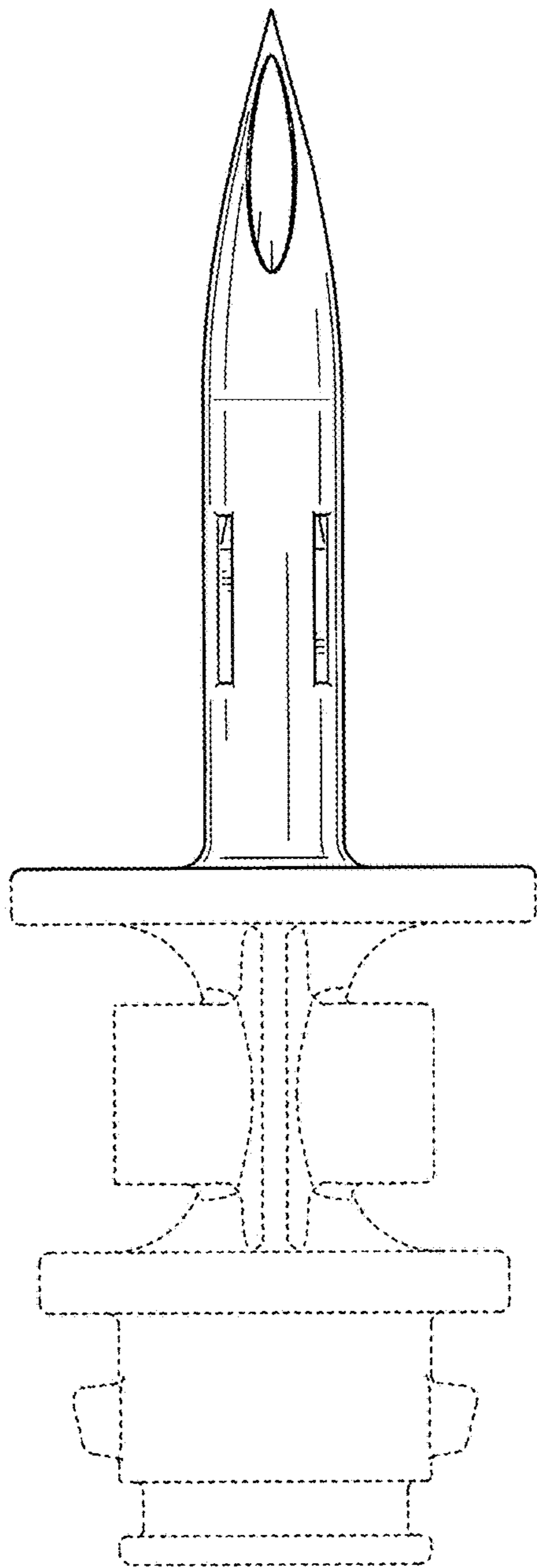


FIG. 4

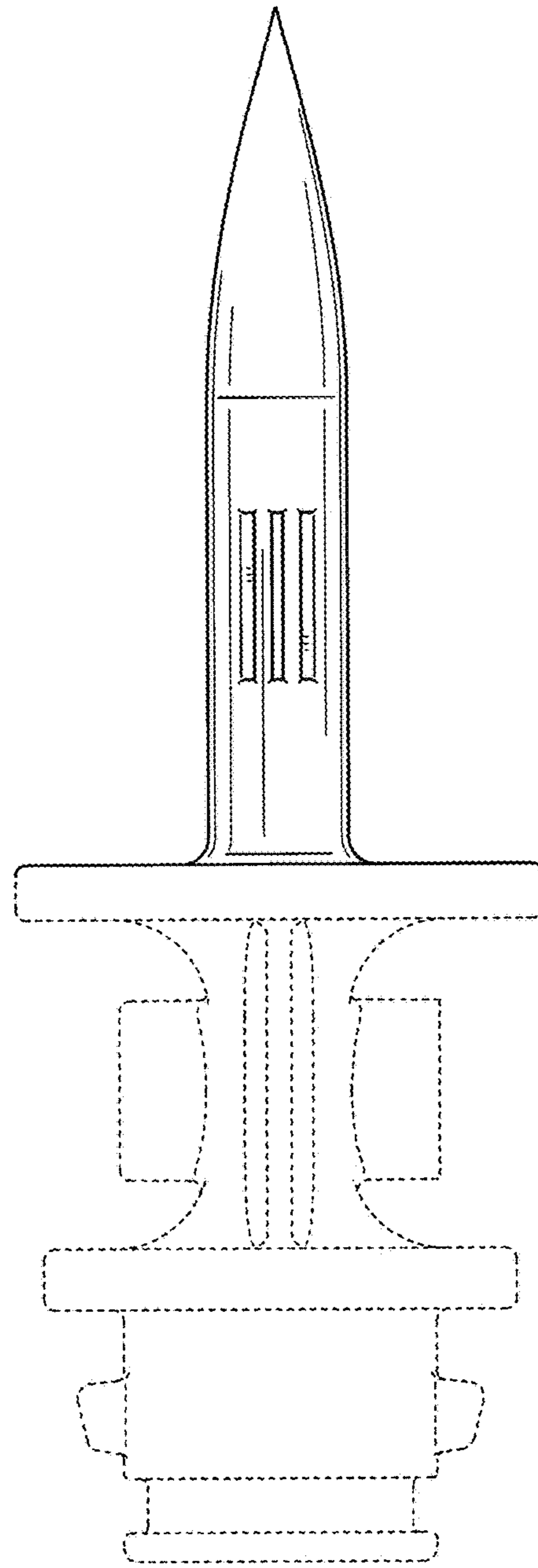
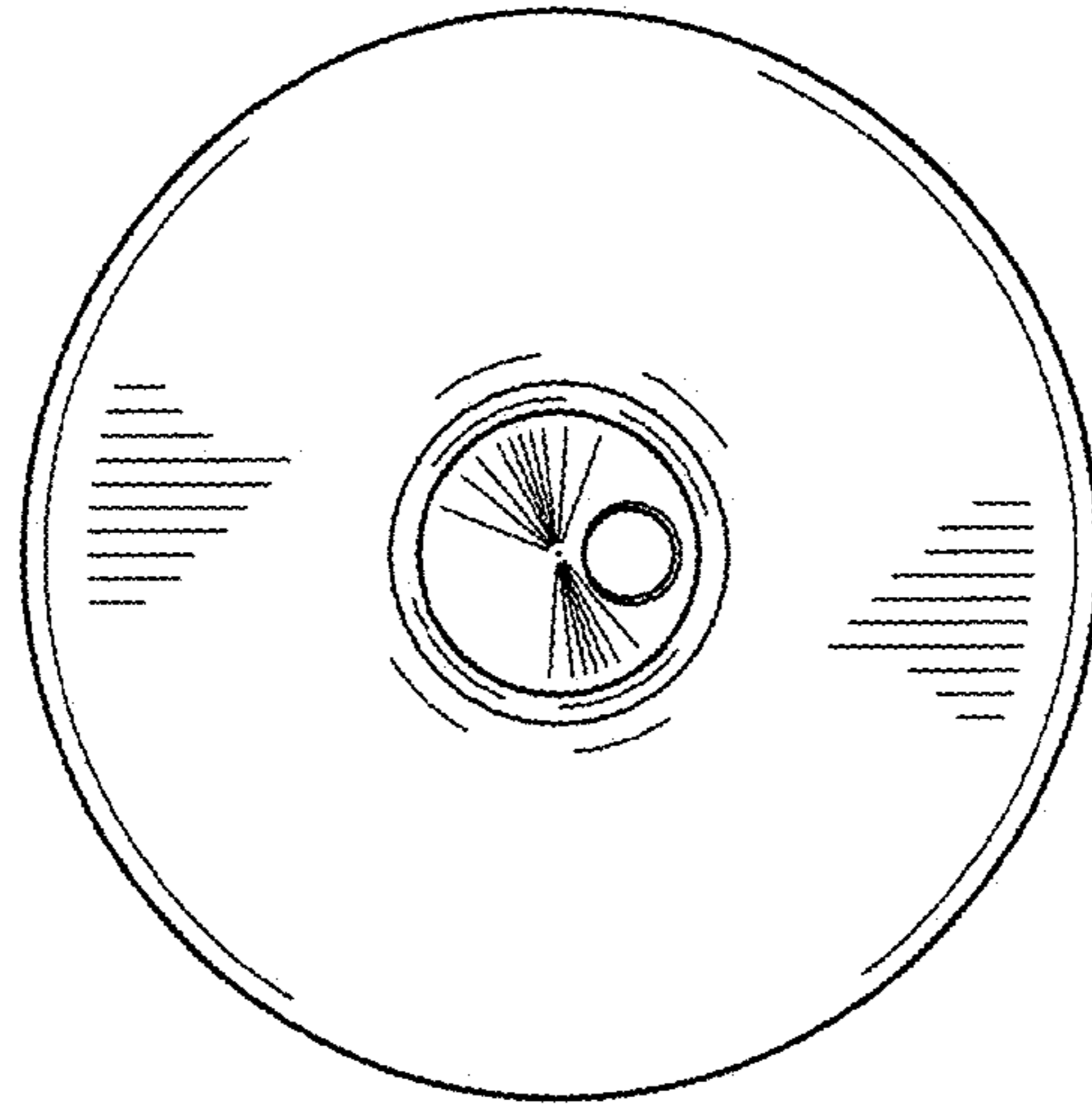
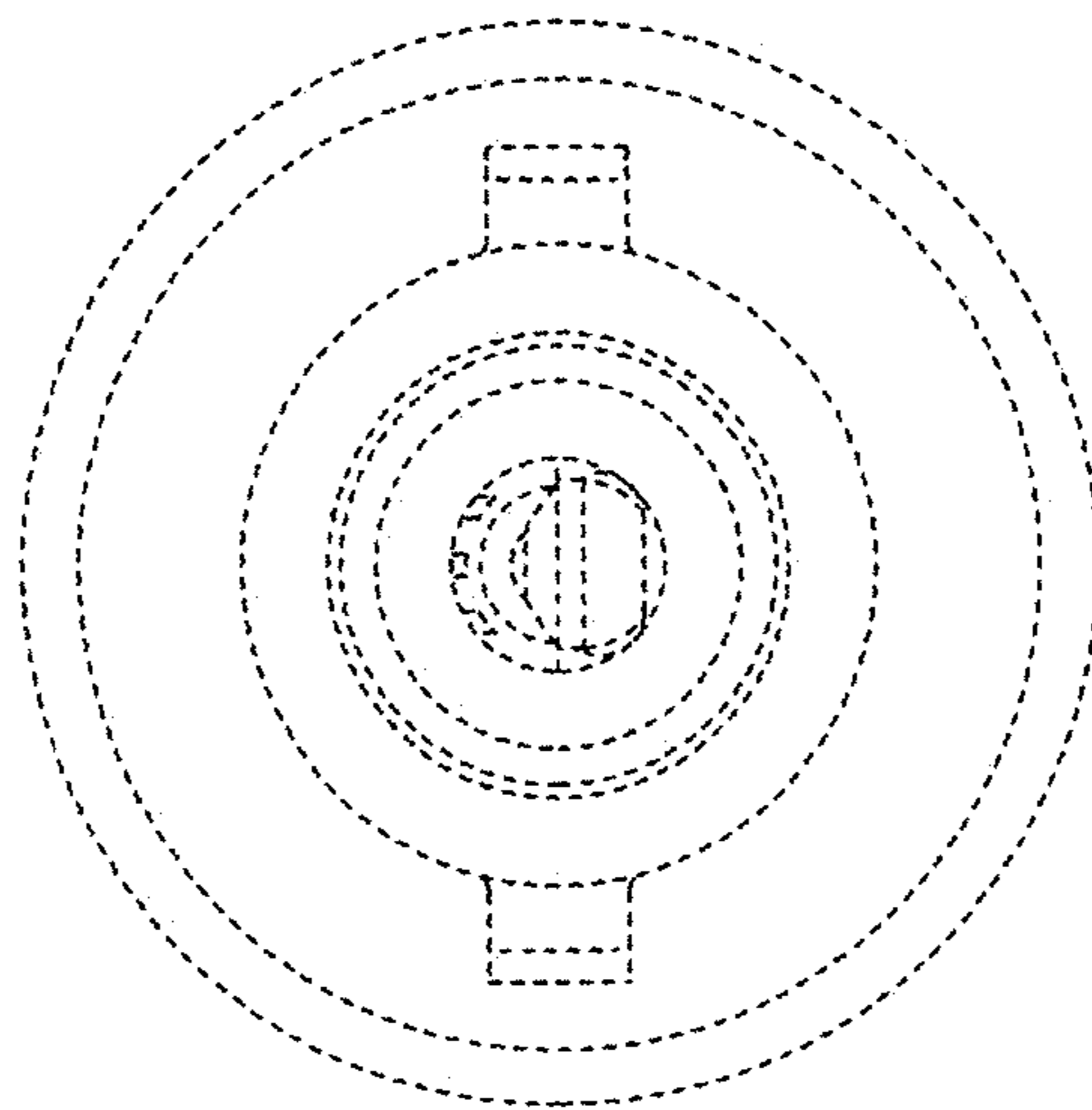


FIG. 5



**FIG. 6**



**FIG. 7**