



US00D775340S

(12) **United States Design Patent** (10) **Patent No.:** **US D775,340 S**
Ballsieper (45) **Date of Patent:** **** Dec. 27, 2016**

(54) **DEVICE FOR PROTECTION AGAINST X-RAYS**

D259,139 S 5/1981 Johnson
4,286,170 A 8/1981 Moti
4,581,538 A 4/1986 Lenhart
4,715,366 A 12/1987 Teeple
D300,945 S 5/1989 Fleming et al.
4,923,162 A 5/1990 Fleming et al.
D310,905 S 10/1990 Marchione

(71) Applicant: **MAVIG GmbH**, München (DE)

(72) Inventor: **Barbara Ballsieper**, München (DE)

(73) Assignee: **MAVIG GmbH**, München (DE)

(**) Term: **15 Years**

(21) Appl. No.: **29/552,242**

(22) Filed: **Jan. 21, 2016**

(Continued)

FOREIGN PATENT DOCUMENTS

DE 33 26 880 A1 2/1985
FR 1164093 10/1958
WO WO 2015/018240 A1 2/2015

OTHER PUBLICATIONS

Radiation Protection Shields & Drapes of the company Radpad, USA (www.radpad.com), 3 pages.

(Continued)

Primary Examiner — Anhdao Doan

(74) *Attorney, Agent, or Firm* — Nixon & Vanderhye P.C.

Related U.S. Application Data

(62) Division of application No. 29/502,311, filed on Sep. 15, 2014, now Pat. No. Des. 748,265, which is a division of application No. 29/466,485, filed on Sep. 9, 2013, now Pat. No. Des. 716,449.

Foreign Application Priority Data

Mar. 12, 2013 (EM) 2201202-0001-0005

(51) **LOC (10) Cl.** **24-01**

(52) **U.S. Cl.**
USPC **D24/158**

(58) **Field of Classification Search**
USPC D24/158-161, 231; D29/100, 101.1;
D2/860, 861
CPC A61B 6/107; G21F 3/00; G21F 3/02;
G21Y 2004/30; A61N 2005/1094
See application file for complete search history.

References Cited

U.S. PATENT DOCUMENTS

3,909,847 A 10/1975 Holt
D238,615 S 1/1976 Maier
D241,378 S 9/1976 Burger
D249,278 S 9/1978 Milligan
4,196,355 A 4/1980 Maine

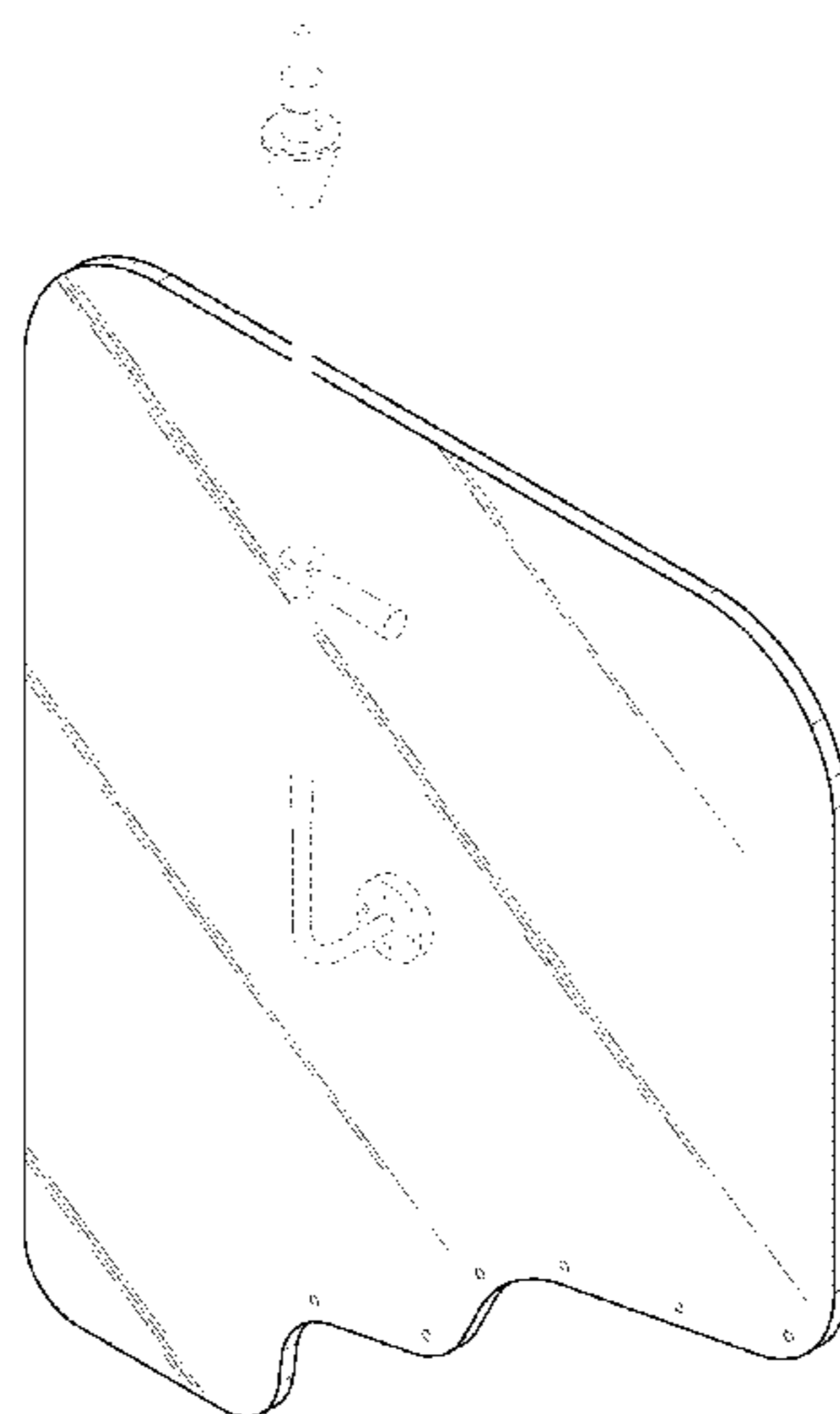
CLAIM

(57) The ornamental design for a device for protection against x-rays, as shown and described.

DESCRIPTION

FIG. 1 is a perspective view of a device for protection against x-rays according to my design; FIG. 2 is a front view thereof thereof; FIG. 3 is a rear view thereof; FIG. 4 is a top view thereof thereof; FIG. 5 is a bottom view thereof; FIG. 6 is a right side view thereof; and, FIG. 7 is a left side view thereof. The broken lines illustrate environmental structure and are for illustrative purposes only. The broken lines form no part of the claimed design.

1 Claim, 5 Drawing Sheets



(56)

References Cited

U.S. PATENT DOCUMENTS

D326,932 S * 6/1992 Millar D29/110
D358,473 S 5/1995 Taylor
D424,198 S 5/2000 Shepherd et al.
D457,689 S 5/2002 Griffiths
6,495,265 B1 * 12/2002 Krebs B32B 15/08
156/307.3
6,779,767 B2 8/2004 Kuhn
D556,324 S 11/2007 Oddsdottir et al.
7,294,845 B2 11/2007 Ballsieper
7,608,847 B2 10/2009 Rees
D629,109 S 12/2010 Phillips
D629,110 S 12/2010 Brettle et al.
8,598,554 B2 * 12/2013 Rees A61B 6/107
250/516.1
D716,449 S 10/2014 Ballsieper
D751,256 S 3/2016 Pizarro
D751,710 S 3/2016 Ballsieper
2014/0151584 A1 6/2014 Khandkar et al.

OTHER PUBLICATIONS

Radiation Protection Covers, Kenex, Great Britain, www.kenex.co.uk.
Radiation Protection Covers, Aadco, U.S.A., www.aadcomed.com.
Radiation Protection Covers, Beijing Huaren, China, bjuaren.com.
Radiation Protection Covers, Mavig, USA.
U.S. Appl. No. 29/466,485, filed Sep. 9, 2013, Ballsieper.
U.S. Appl. No. 29/502,311, filed Sep. 15, 2014, Ballsieper.

* cited by examiner

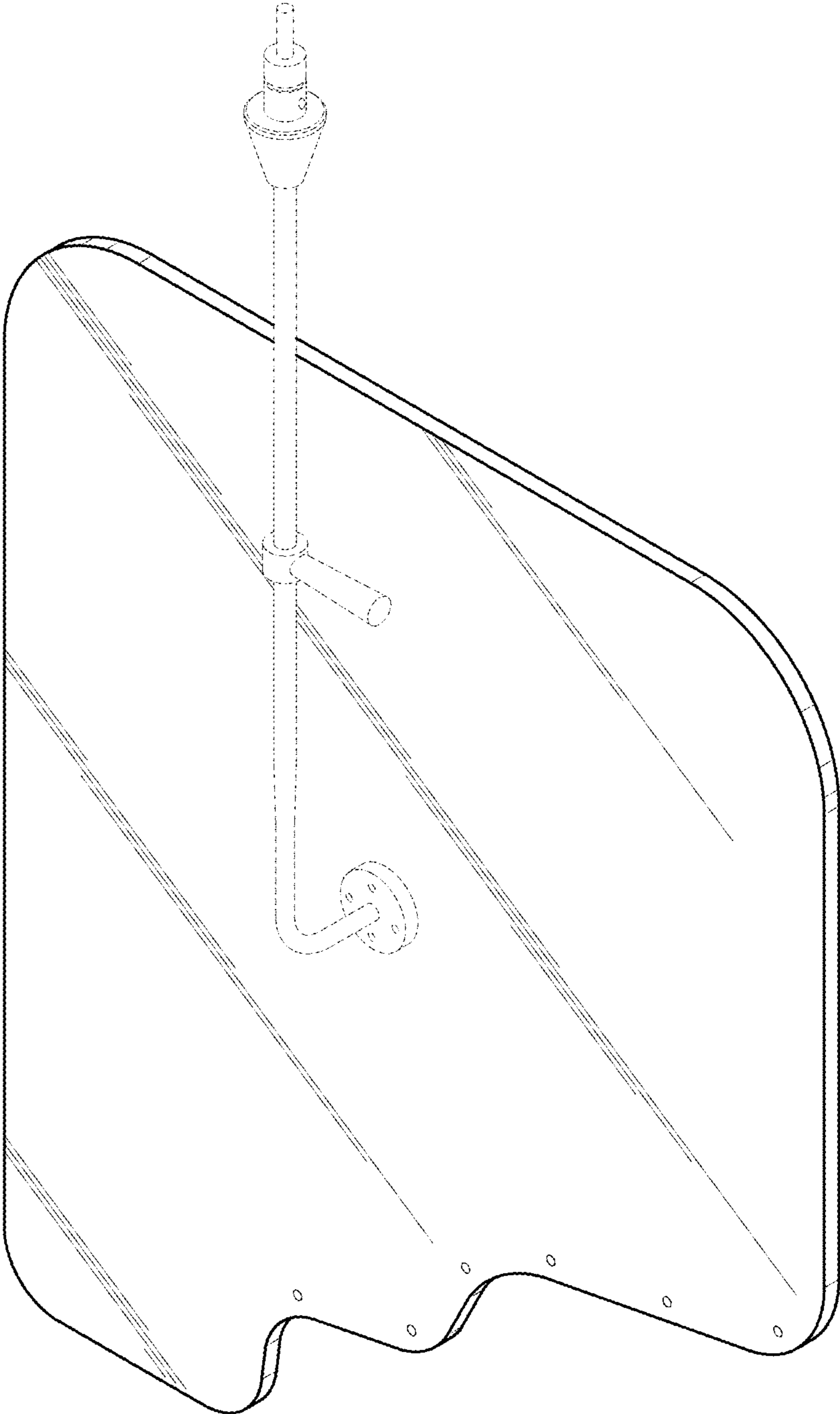


FIG. 1

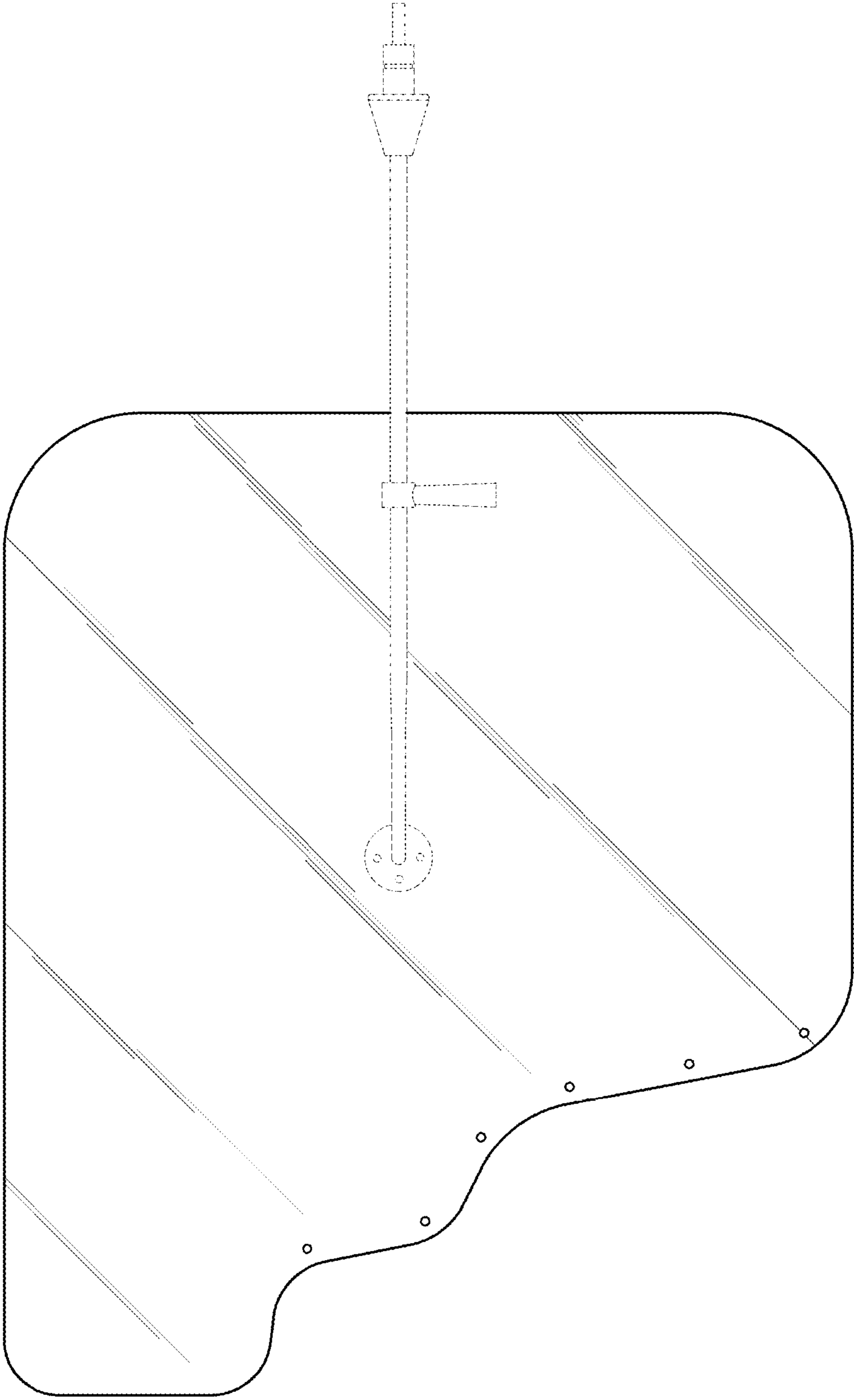


FIG. 2

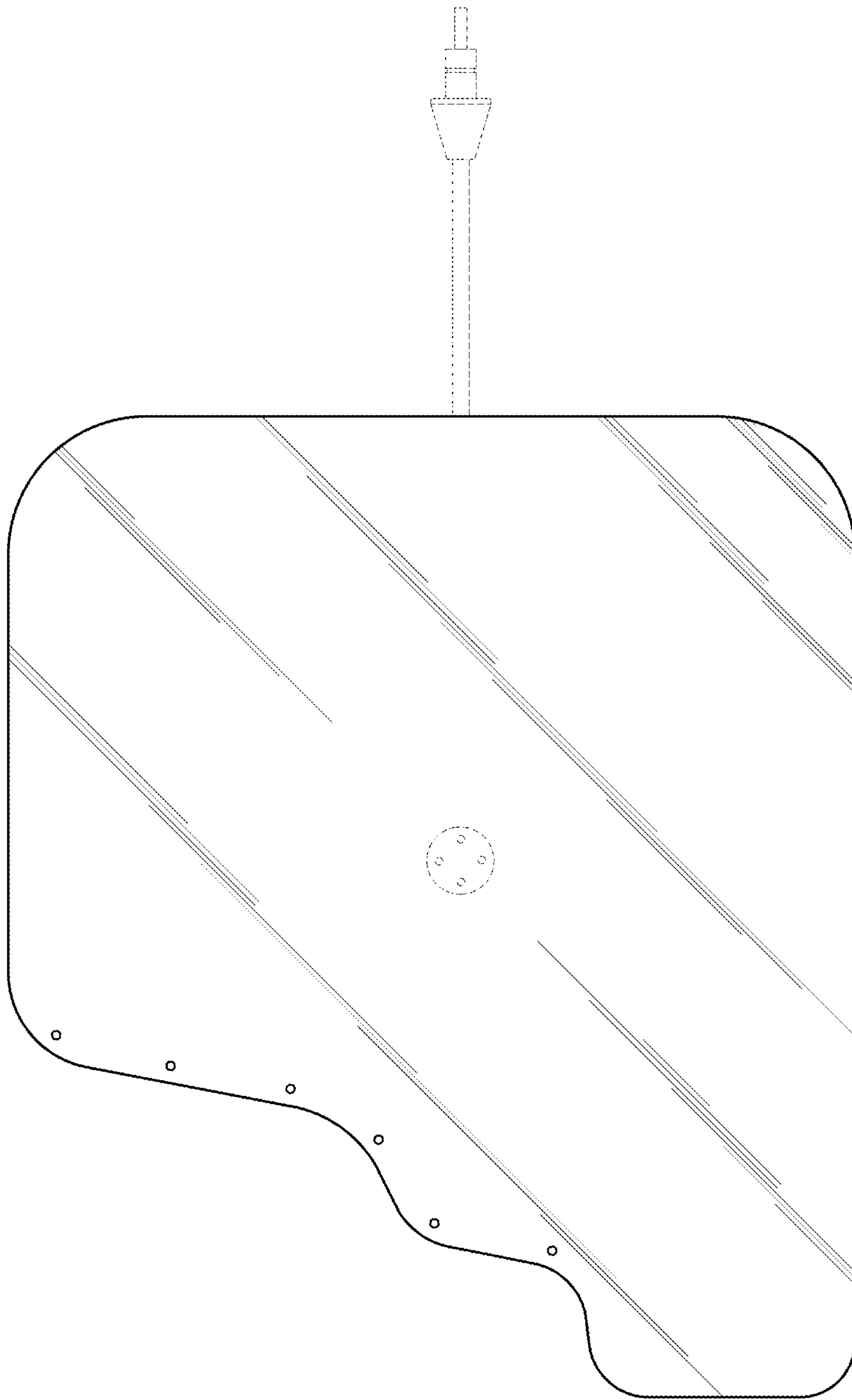


FIG. 3

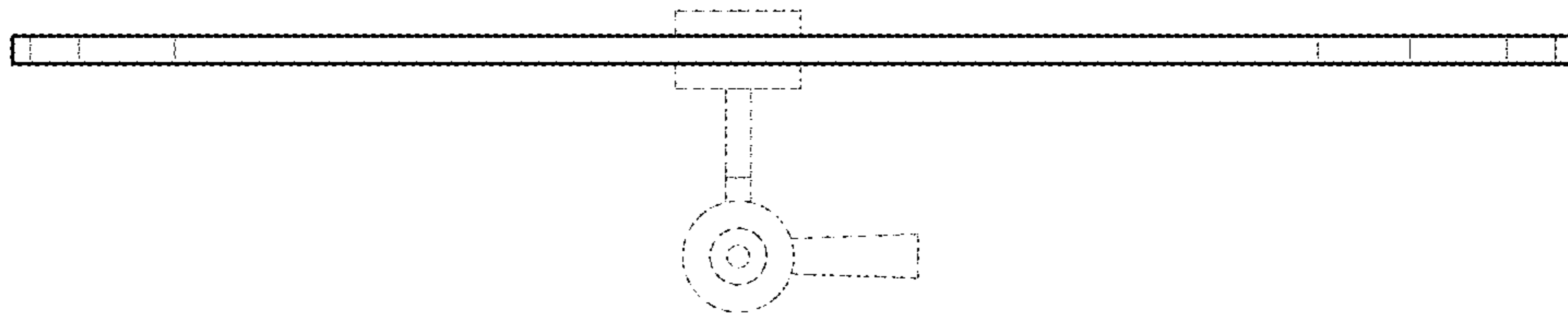


FIG. 4

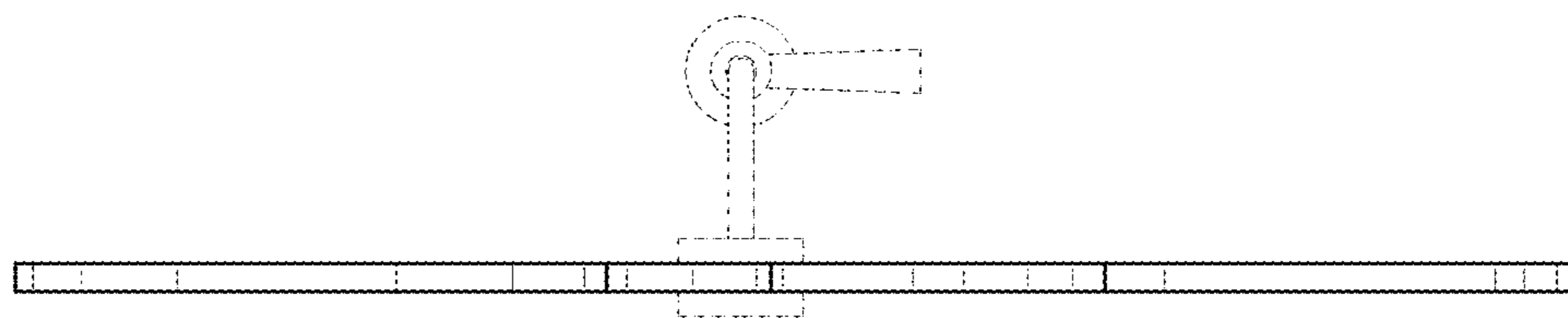


FIG. 5

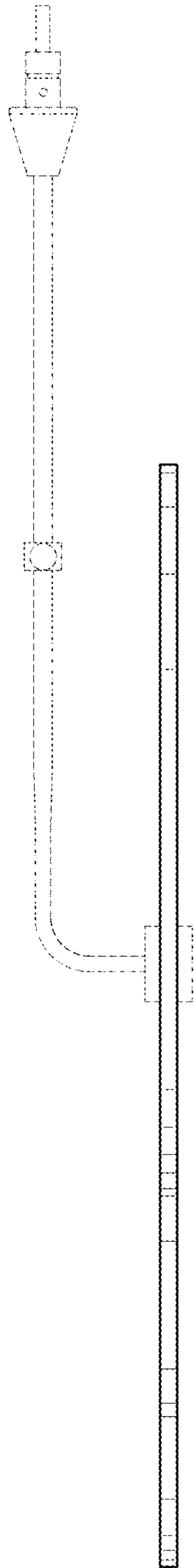


FIG. 6

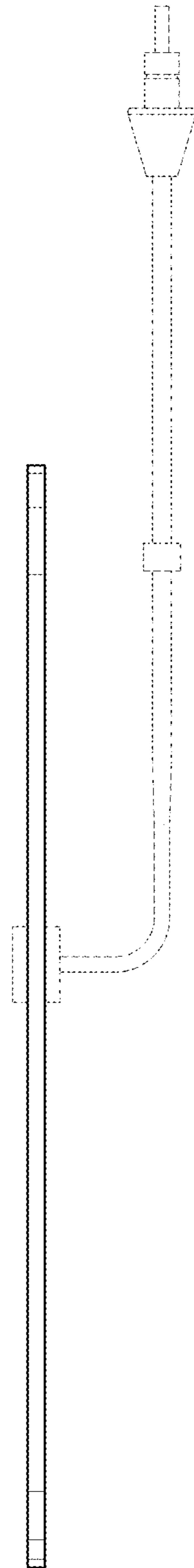


FIG. 7