



US00D775339S

(12) **United States Design Patent**
Sakaguchi et al.

(10) **Patent No.:** **US D775,339 S**

(45) **Date of Patent:** **** Dec. 27, 2016**

(54) **PROTECTIVE COVER OF IMAGING PLATE FOR X-RAY INSPECTION**

5,900,638 A * 5/1999 Jaeger A61B 6/107
250/515.1

D424,198 S * 5/2000 Shepherd D24/158
6,278,125 B1 * 8/2001 Belek G21F 3/00
250/515.1

(71) Applicant: **FUJIFILM Corporation**, Minato-ku,
Tokyo (JP)

(Continued)

(72) Inventors: **Yasunobu Sakaguchi**, Minato-ku (JP);
Osamu Murakami, Minato-ku (JP);
Yasunori Narukawa, Minato-ku (JP);
Tsutomu Fujino, Minato-ku (JP)

Primary Examiner — Anhdao Doan

(74) *Attorney, Agent, or Firm* — Sughrue Mion, PLLC

(73) Assignee: **FUJIFILM Corporation**, Tokyo (JP)

(57) **CLAIM**

The ornamental design for a protective cover of imaging plate for X-ray inspection, as shown and described.

(**) Term: **15 Years**

DESCRIPTION

(21) Appl. No.: **29/533,614**

FIG. 1 is a top, front and right side perspective view of a protective cover of imaging plate for X-ray inspection showing my new design;

(22) Filed: **Jul. 20, 2015**

FIG. 2 is a top, rear and left side perspective view thereof;

(30) **Foreign Application Priority Data**

Jan. 19, 2015 (JP) 2015-000817

FIG. 3 is a front elevational view thereof;

(51) **LOC (10) Cl.** **24-01**

FIG. 4 is a rear elevational view thereof;

(52) **U.S. Cl.**

USPC **D24/158**

FIG. 5 is a top plan view thereof;

(58) **Field of Classification Search**

USPC D24/158-161, 231; D29/100, 101.1;
D2/860, 861

FIG. 6 is a bottom plan view thereof;

CPC A61B 6/107; G21F 3/00; G21F 3/02;
G21Y 2004/30; A61N 2005/1094

FIG. 7 is a left side elevational view thereof;

See application file for complete search history.

FIG. 8 is a right side elevational view thereof;

(56) **References Cited**

U.S. PATENT DOCUMENTS

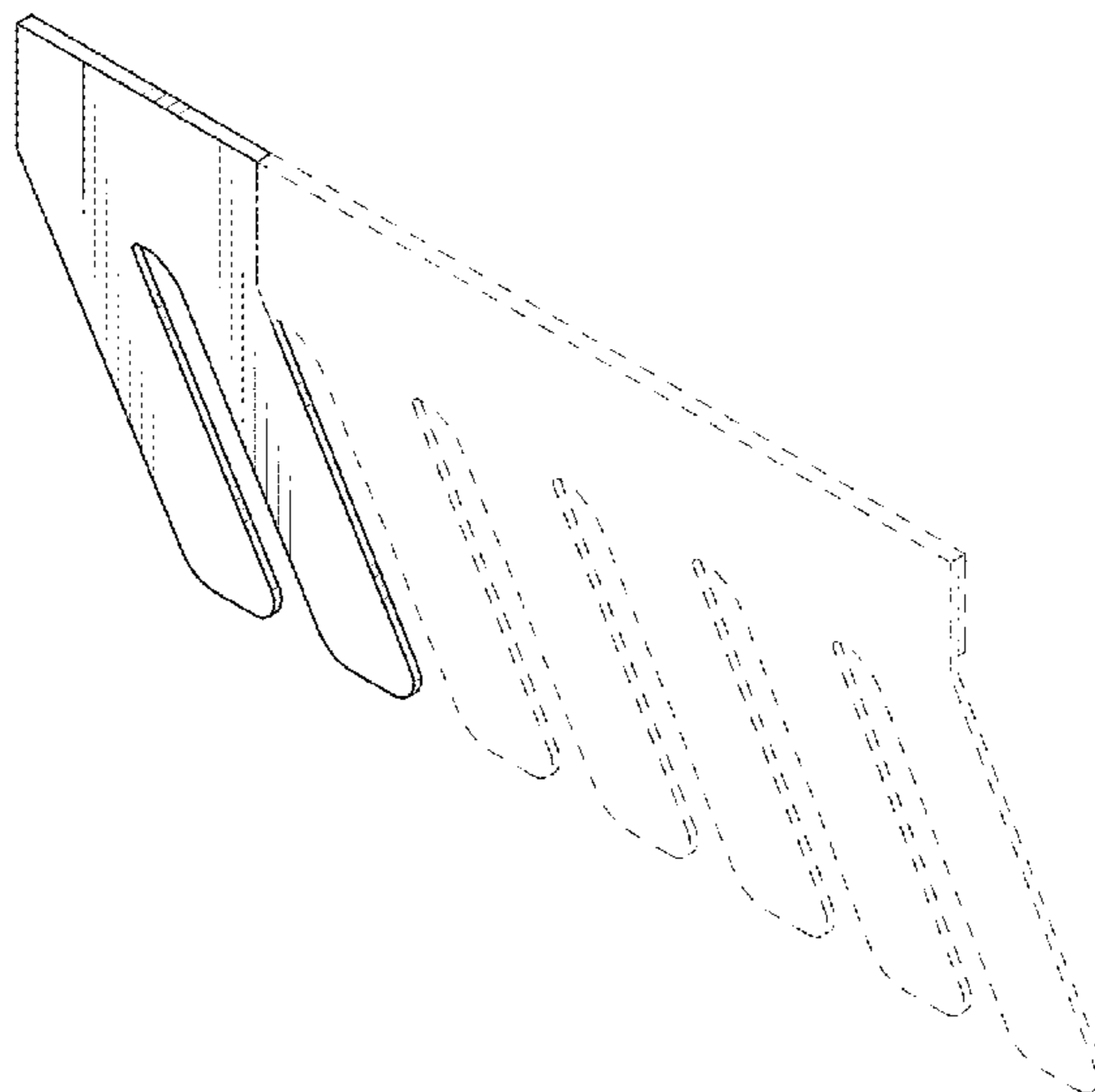
D241,378 S * 9/1976 Burger 250/516.1
4,581,538 A * 4/1986 Lenhart G21F 3/00
250/515.1

FIG. 9 is a top, rear and left side perspective view of the present article and an imaging plate;
FIG. 10 is a top, rear and left side perspective view of an assembly of the present article and the imaging plate; and,
FIG. 11 is a top, rear and left side perspective view of the assembly of the present article and the imaging plate, which is attached to a turbine unit and used in an X-ray inspection of the turbine unit, in a manner of use.

The broken line portions of the protective cover of imaging plate for X-ray inspection throughout the drawings are shown to illustrate environment only and form no part of the claimed design.

The dash-dot broken lines define the bounds of the claimed design and form no part thereof.

1 Claim, 10 Drawing Sheets



(56)

References Cited

U.S. PATENT DOCUMENTS

7,099,427 B2 * 8/2006 Cadwalader A61B 6/107
250/515.1
D705,933 S * 5/2014 Matuschek D24/158
D748,265 S * 1/2016 Ballsieper D24/158
2005/0058257 A1 * 3/2005 Fischer A61B 6/04
378/196
2007/0167753 A1 * 7/2007 Van Wyk A61B 5/02411
600/437

* cited by examiner

FIG. 1

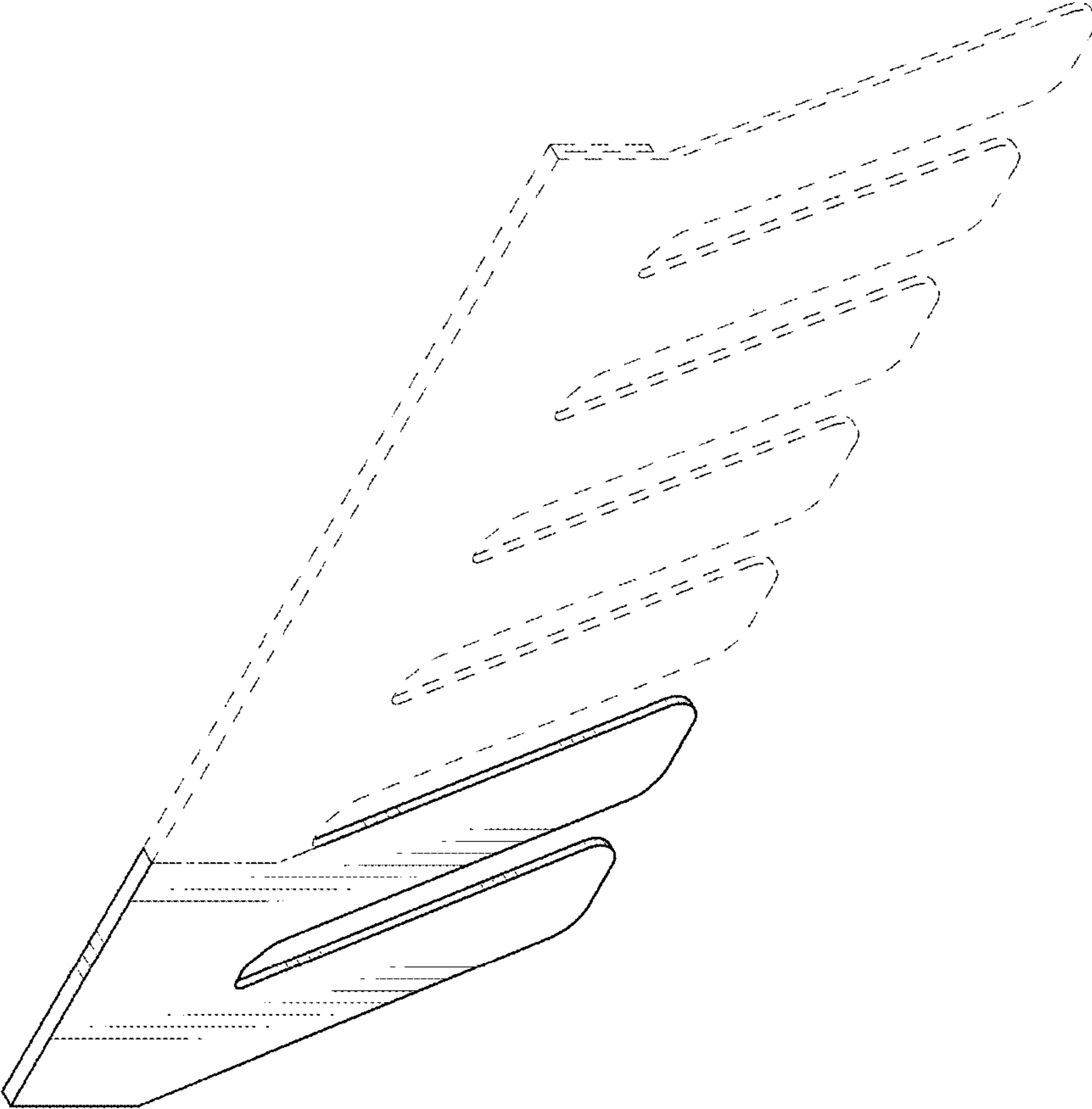


FIG. 2

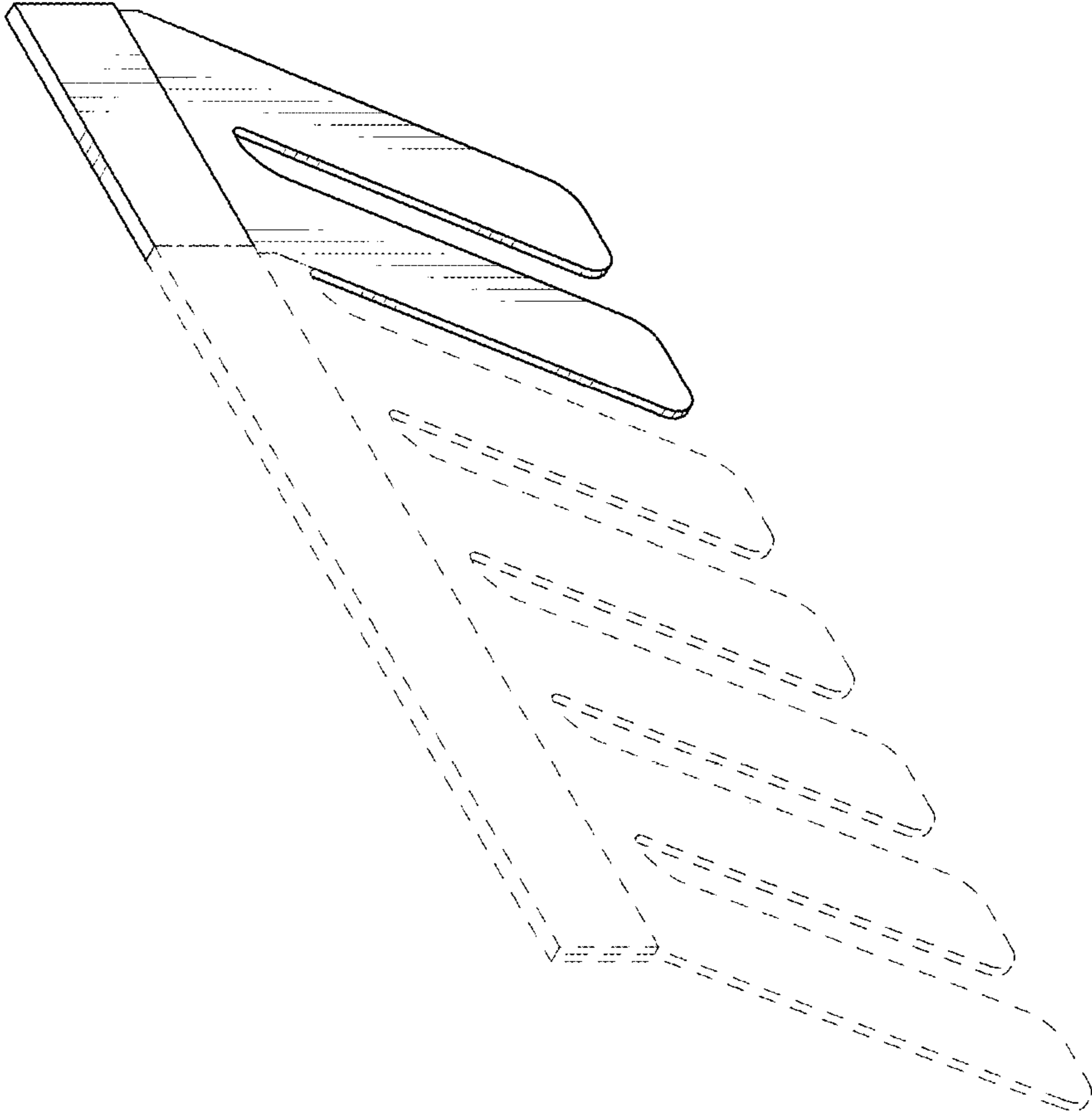


FIG. 3

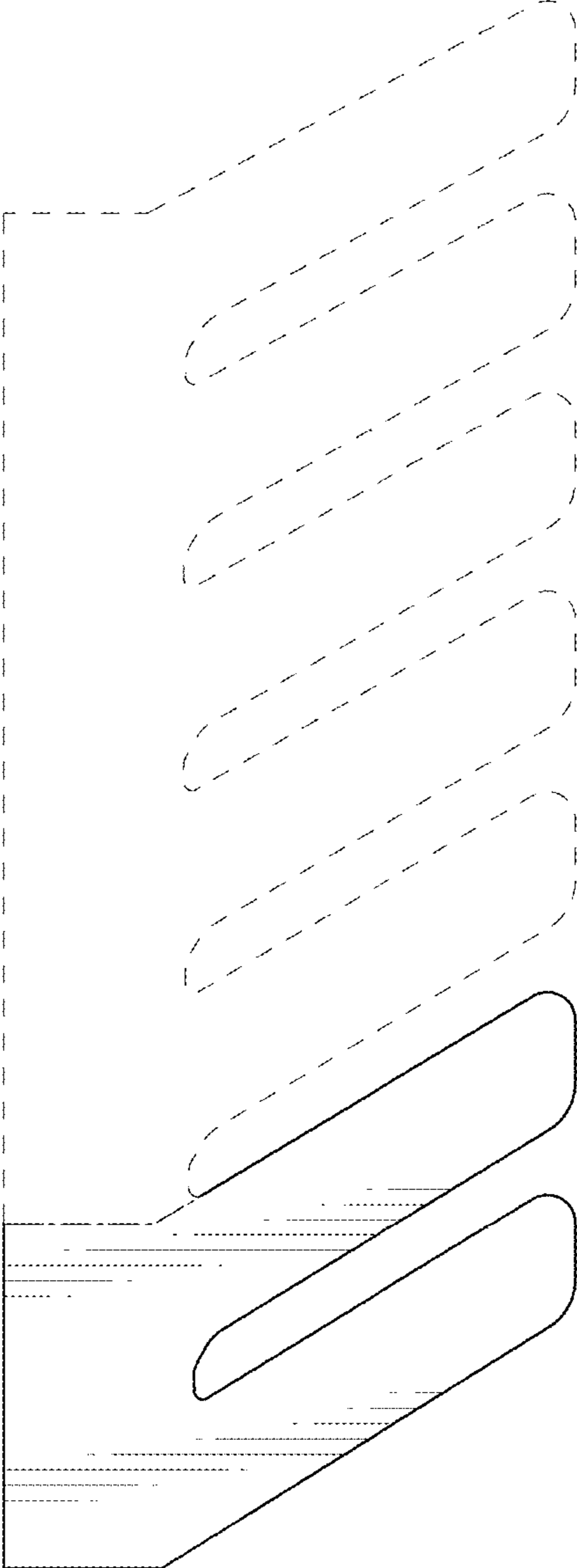


FIG. 4

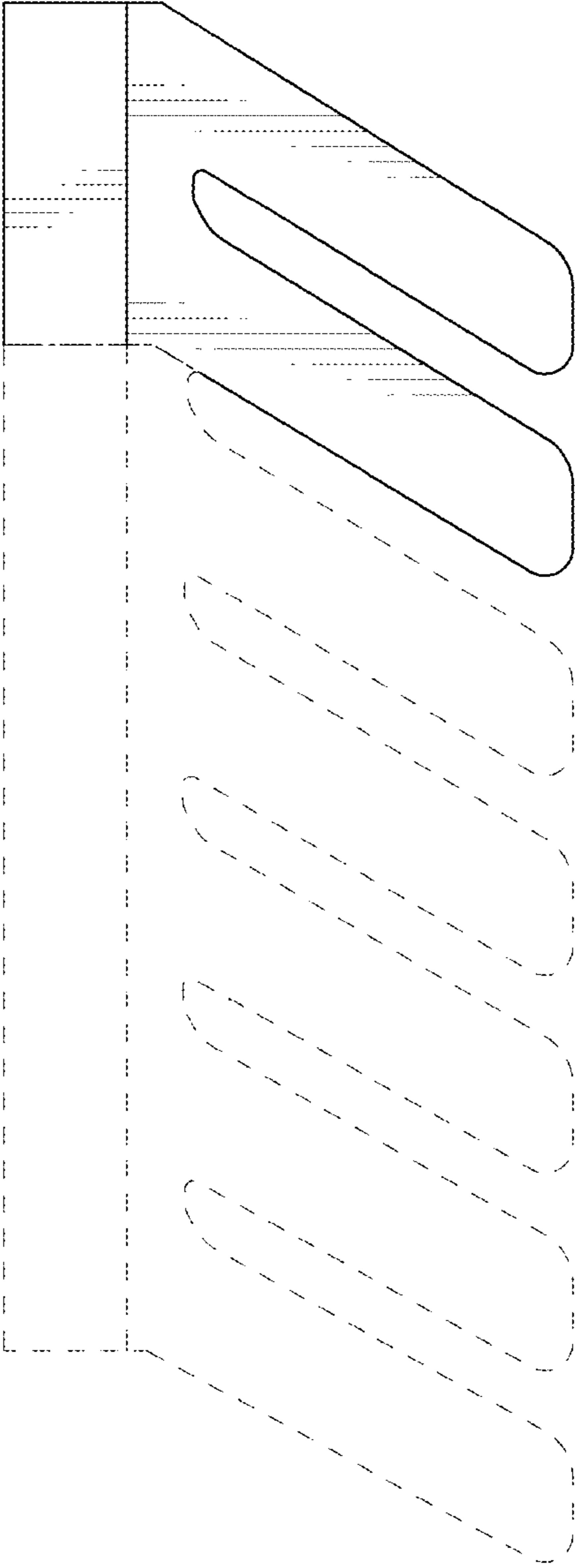


FIG. 5

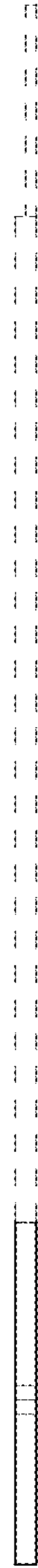


FIG. 6

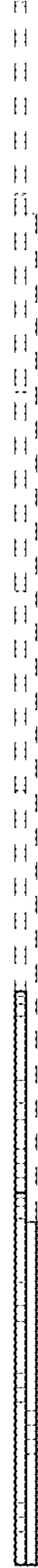


FIG. 7

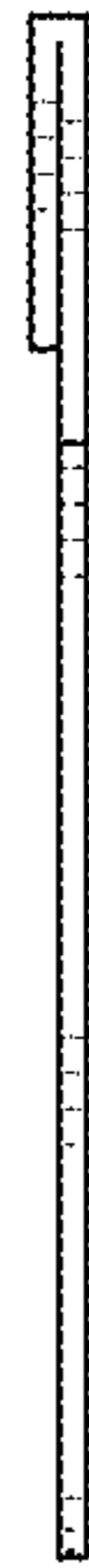


FIG. 8

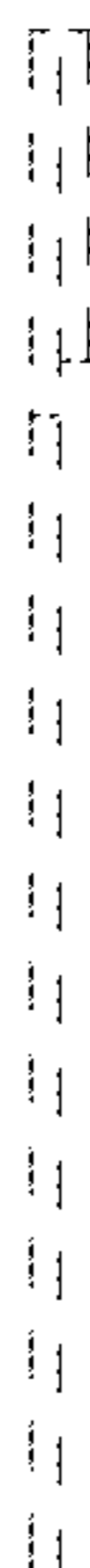


FIG. 9

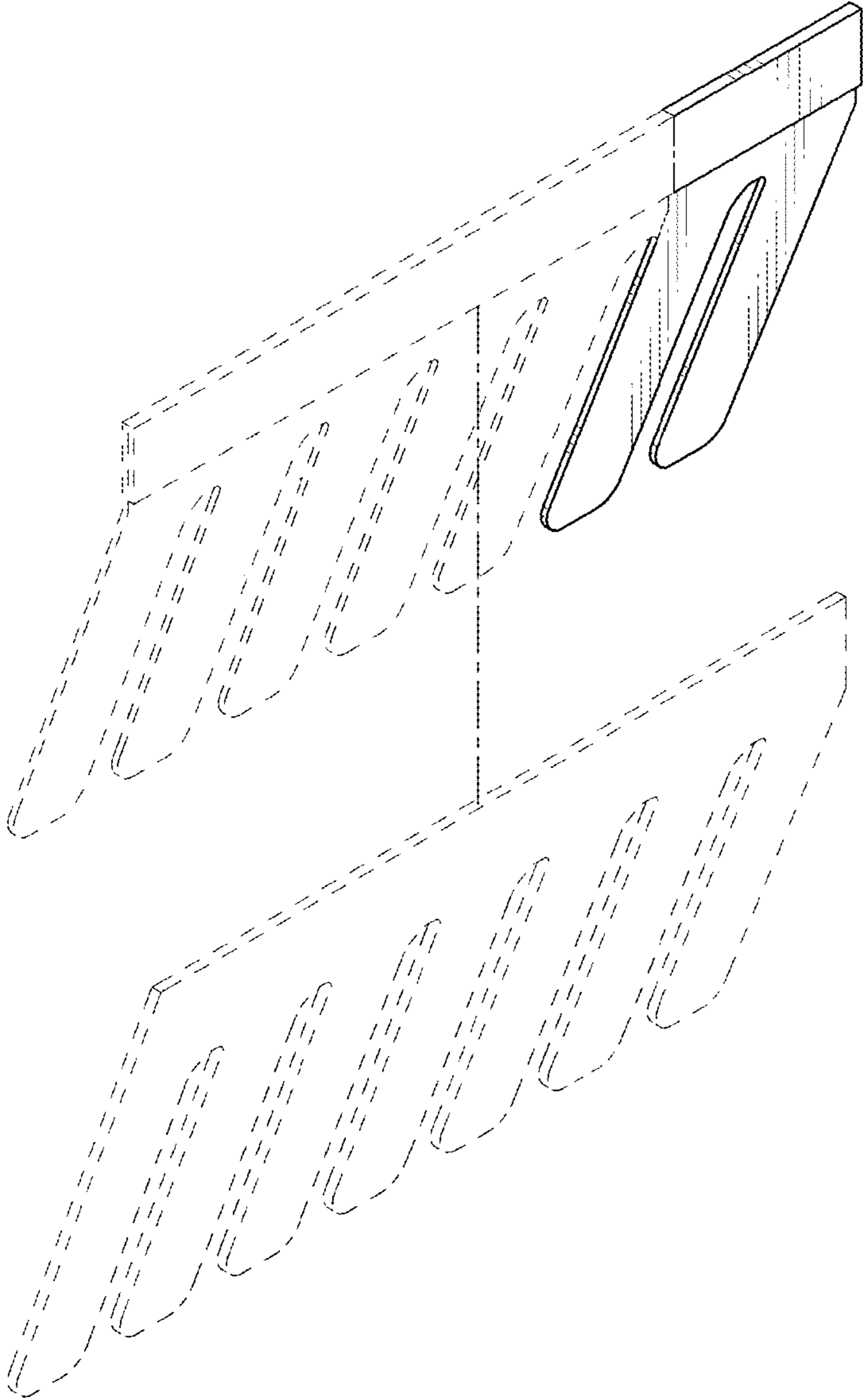


FIG. 10

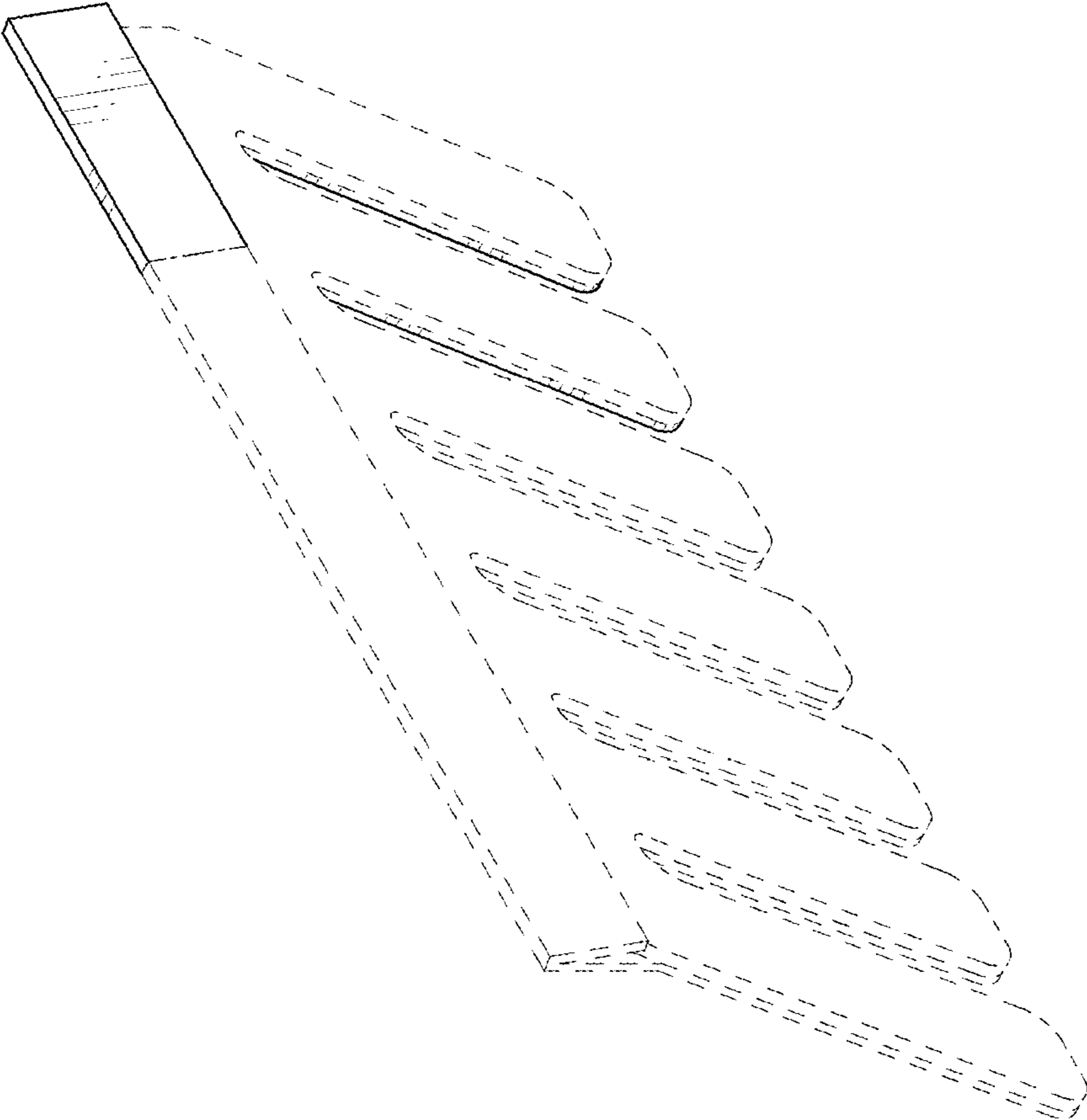


FIG. 11

