



US00D775337S

(12) **United States Design Patent**
Wang

(10) **Patent No.:** **US D775,337 S**

(45) **Date of Patent:** **** Dec. 27, 2016**

(54) **SAFETY PROTECTOR FOR TUMOR PUNCTURE**

(71) Applicant: **Hsien-Tsung Wang**, Taipei (TT)

(72) Inventor: **Hsien-Tsung Wang**, Taipei (TT)

(**) Term: **14 Years**

(21) Appl. No.: **29/512,633**

(22) Filed: **Dec. 22, 2014**

(51) **LOC (10) Cl.** **24-02**

(52) **U.S. Cl.**
USPC **D24/146**

(58) **Field of Classification Search**
USPC D24/146, 147, 133, 130, 113, 114;
600/385, 573, 583; 606/167, 172,
606/181-185; 210/453; 604/263
CPC A61B 5/00; A61B 5/15; A61B 17/32;
A61B 17/32053; A61B 17/3496; A61B
17/3494

See application file for complete search history.

(56) **References Cited**

U.S. PATENT DOCUMENTS

D336,335 S * 6/1993 Poulsen D24/146
5,447,516 A * 9/1995 Gardner A61B 17/3213
30/304

D378,405 S * 3/1997 Musgrave D24/112
D417,733 S * 12/1999 Howell D24/112
D421,119 S * 2/2000 Musgrave D24/112
D424,695 S * 5/2000 Reil D24/146
D634,424 S * 3/2011 Morejon D24/133
D699,348 S * 2/2014 Morejon D24/147
D744,650 S * 12/2015 Catron D24/146
D746,459 S * 12/2015 Kaercher D24/133

* cited by examiner

Primary Examiner — Ian Simmons
Assistant Examiner — Carissa C Fitts

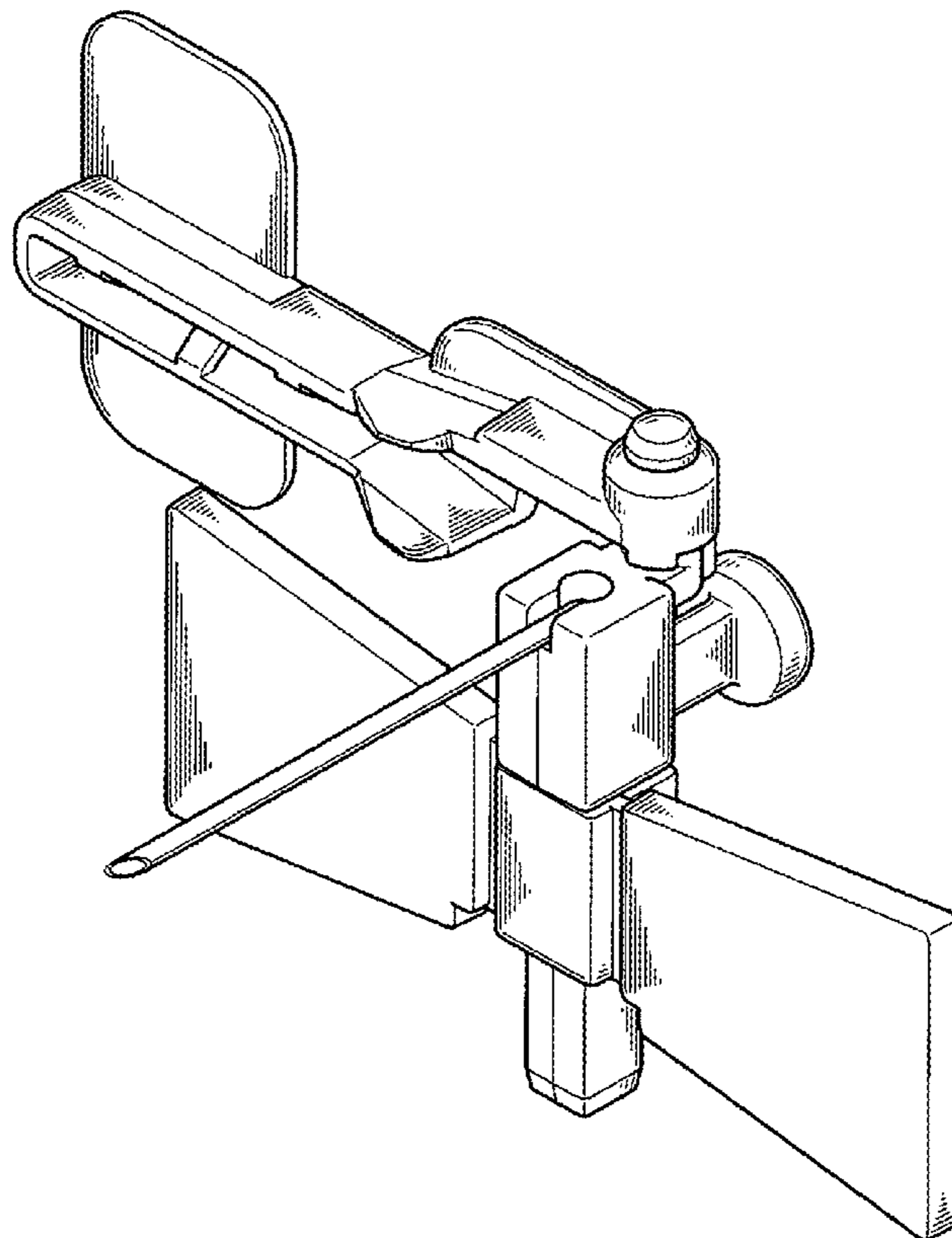
(57) **CLAIM**

The ornamental design for a safety protector for tumor puncture, as shown and described.

DESCRIPTION

FIG. 1 is a perspective view showing my new design for a safety protector for tumor puncture;
FIG. 2 is a front view thereof;
FIG. 3 is a rear view thereof;
FIG. 4 is a left view thereof;
FIG. 5 is a right view thereof;
FIG. 6 is a top view thereof;
FIG. 7 is a bottom view thereof; and,
FIG. 8 is a perspective view showing the safety protector for tumor puncture in a closed position.
The broken line showing represents portions of the article not claimed and forms no part of the claimed design.

1 Claim, 5 Drawing Sheets



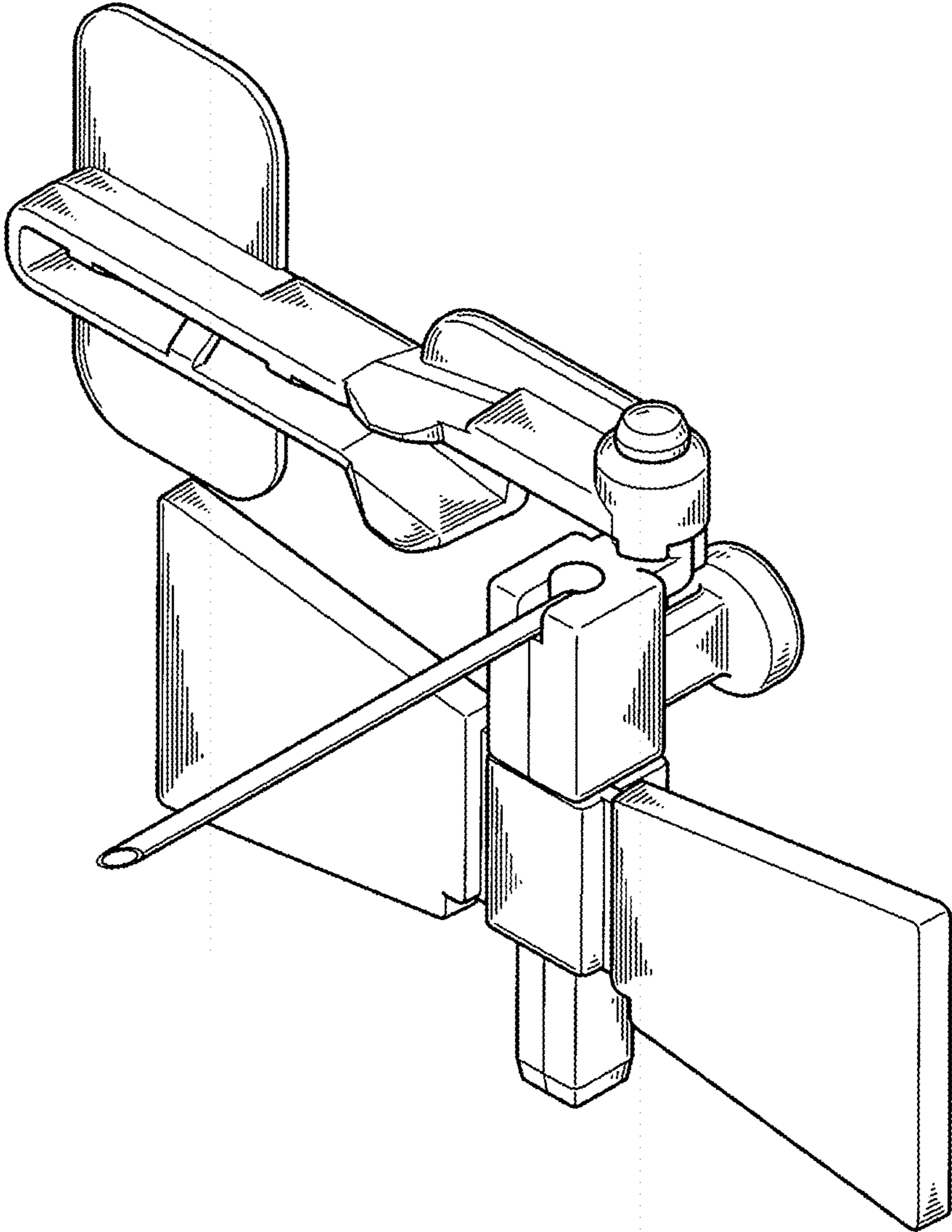


FIG.1

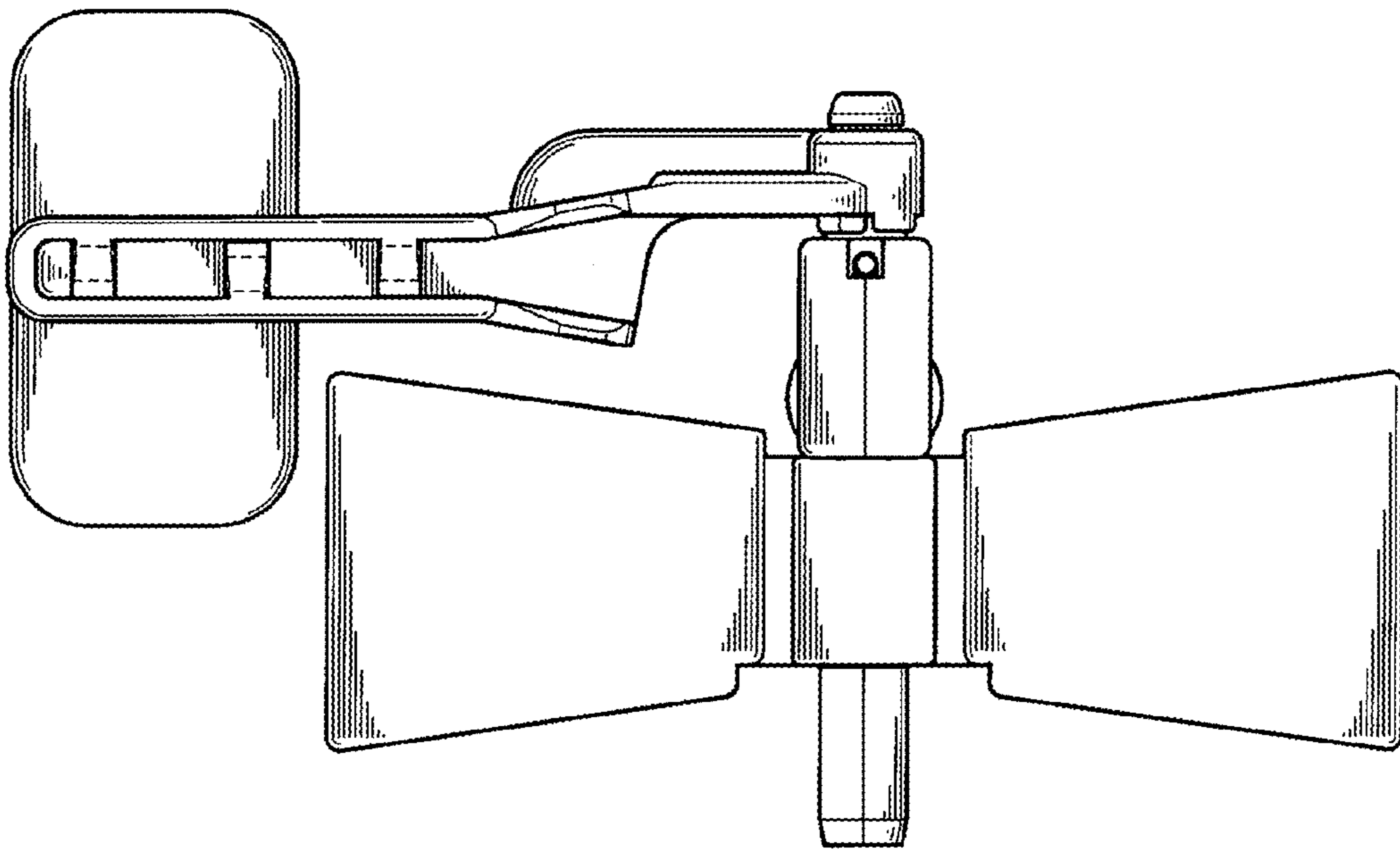


FIG. 2

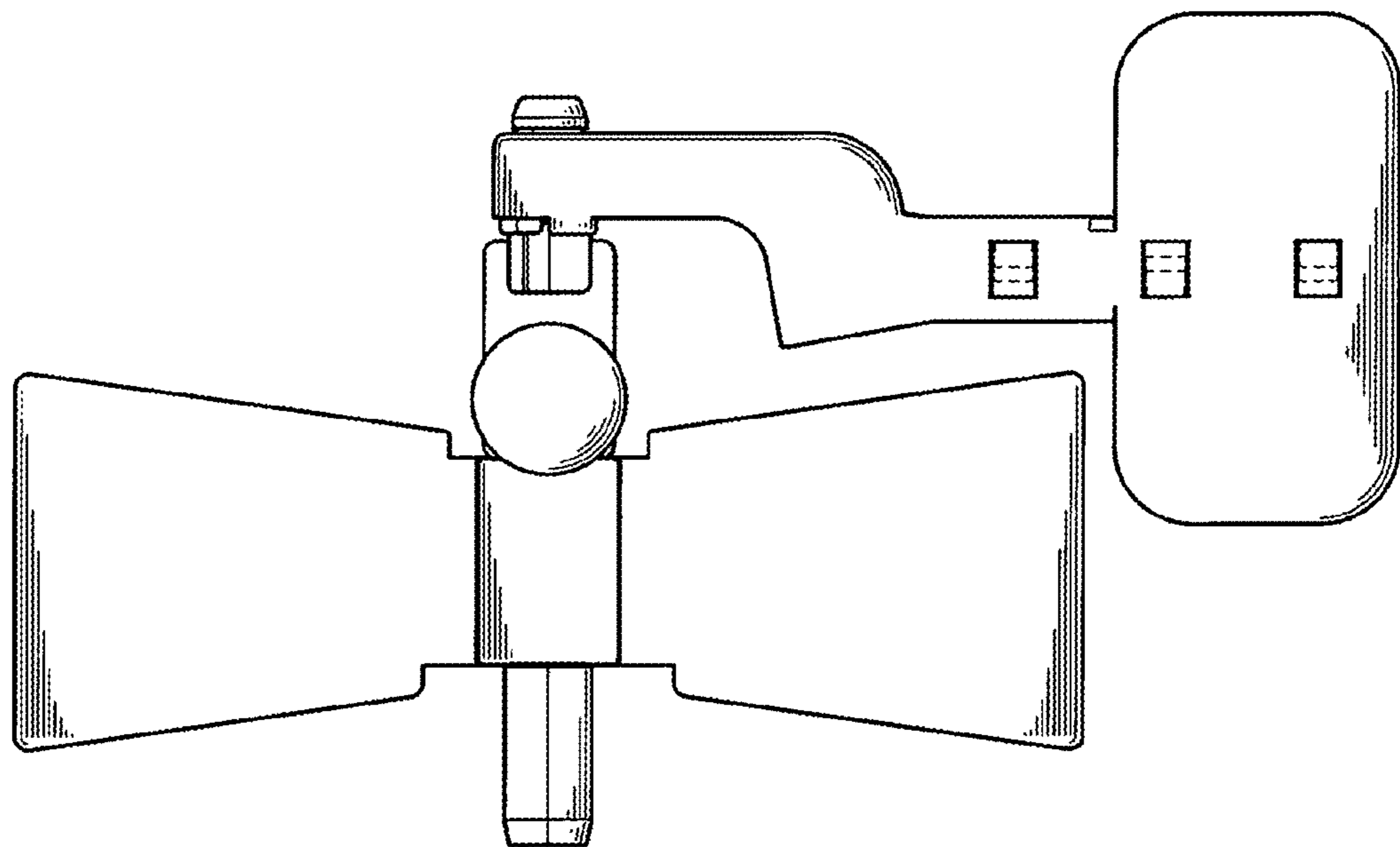


FIG. 3

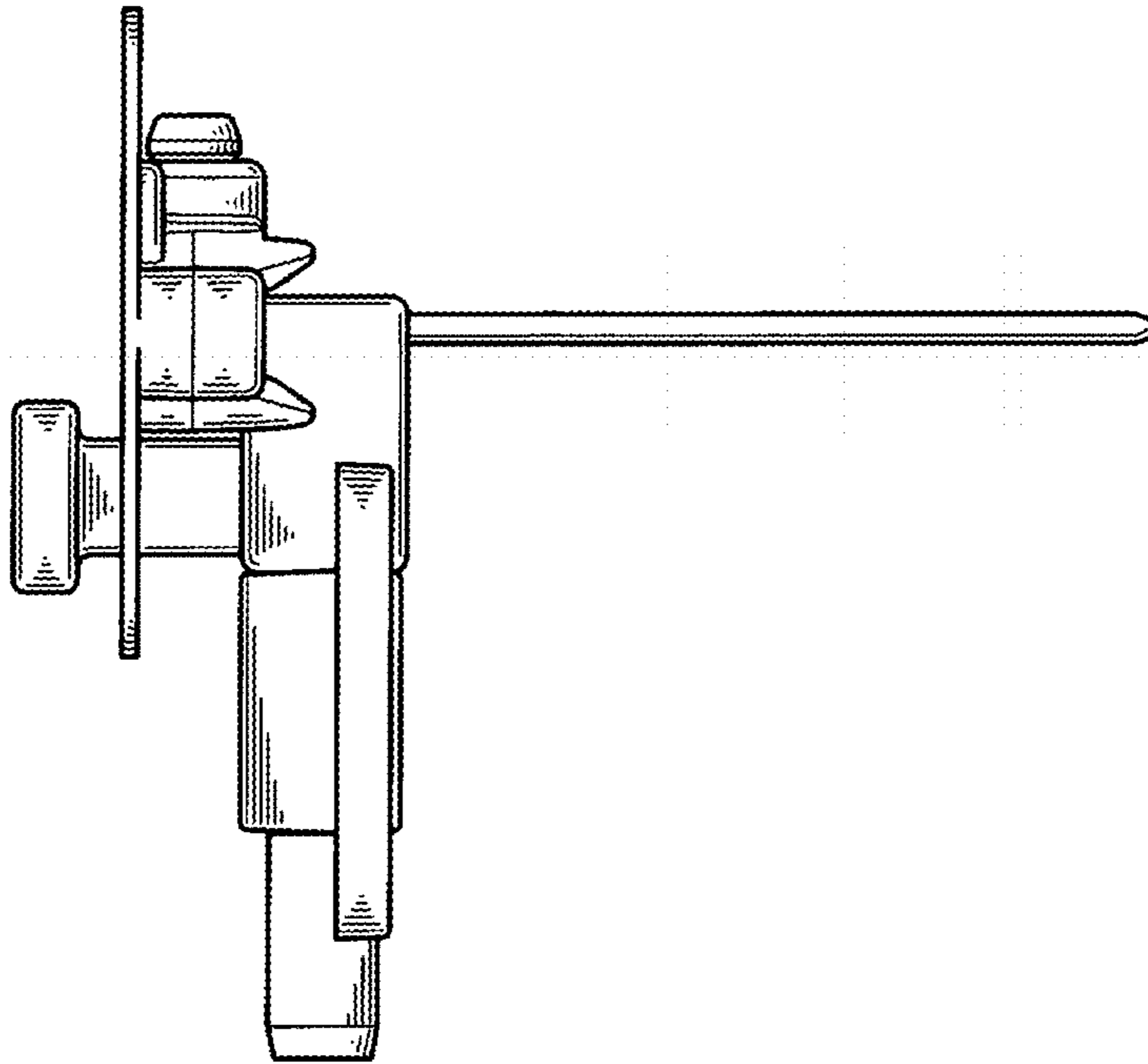


FIG. 4

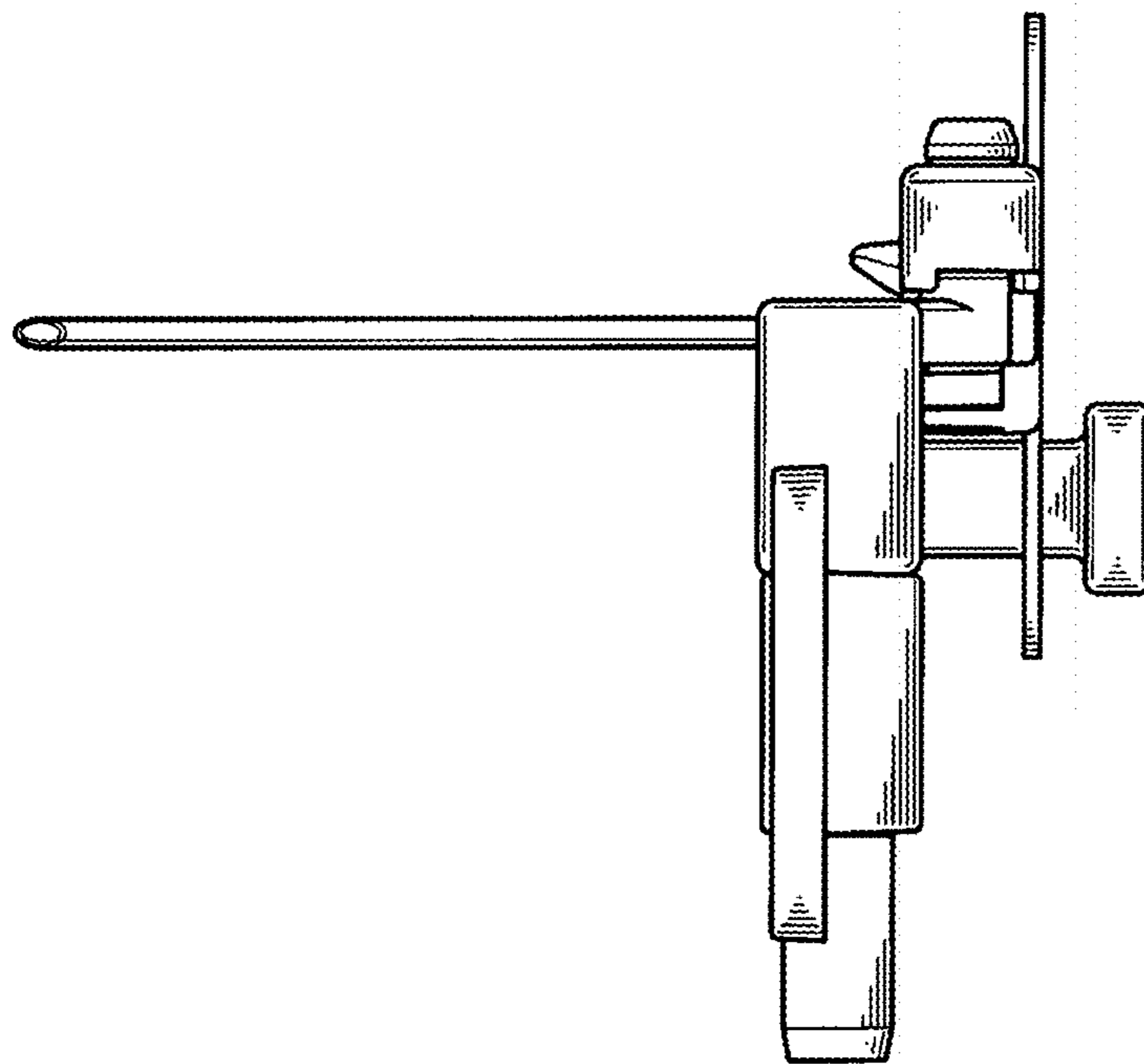


FIG. 5

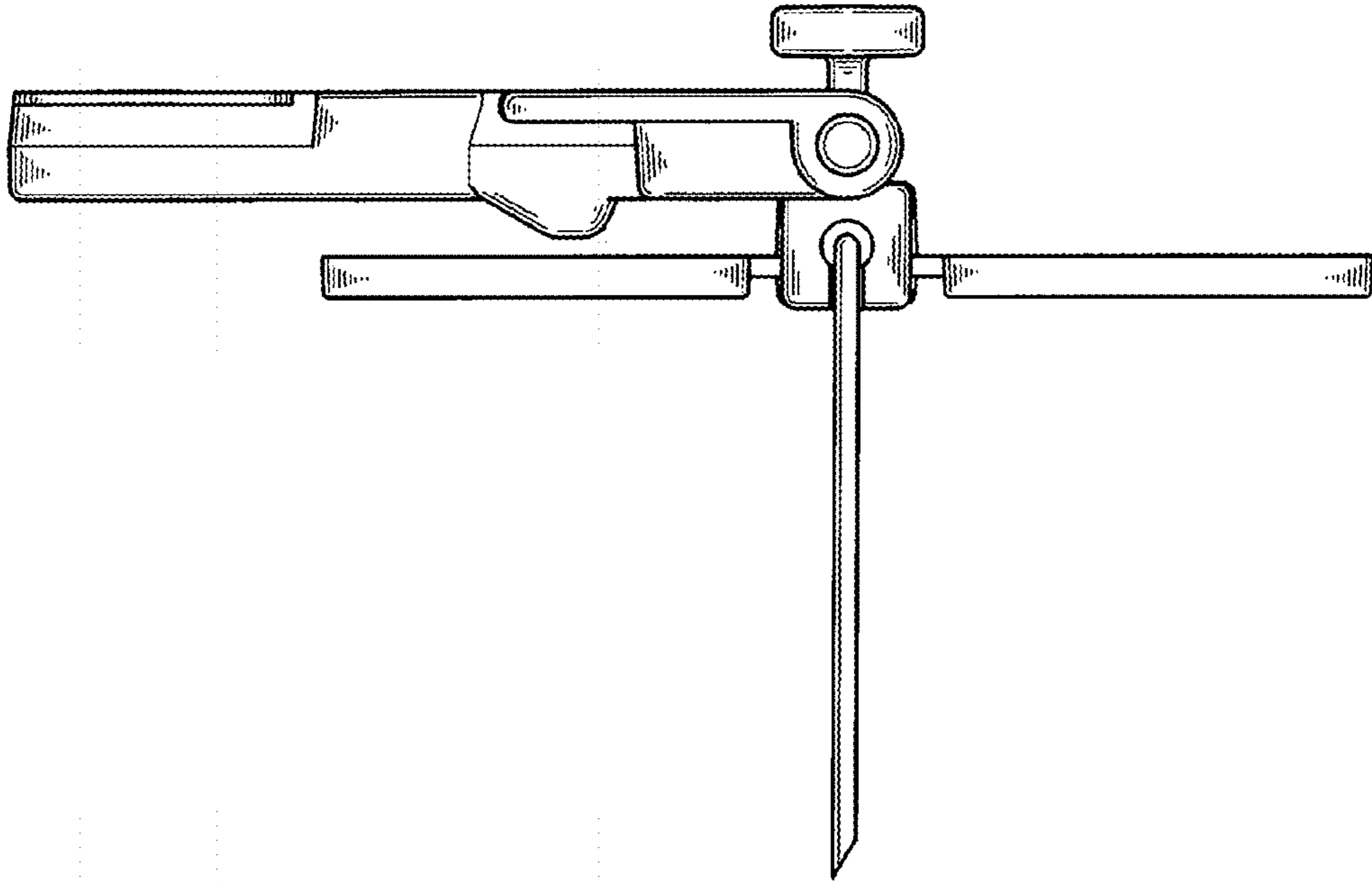


FIG. 6

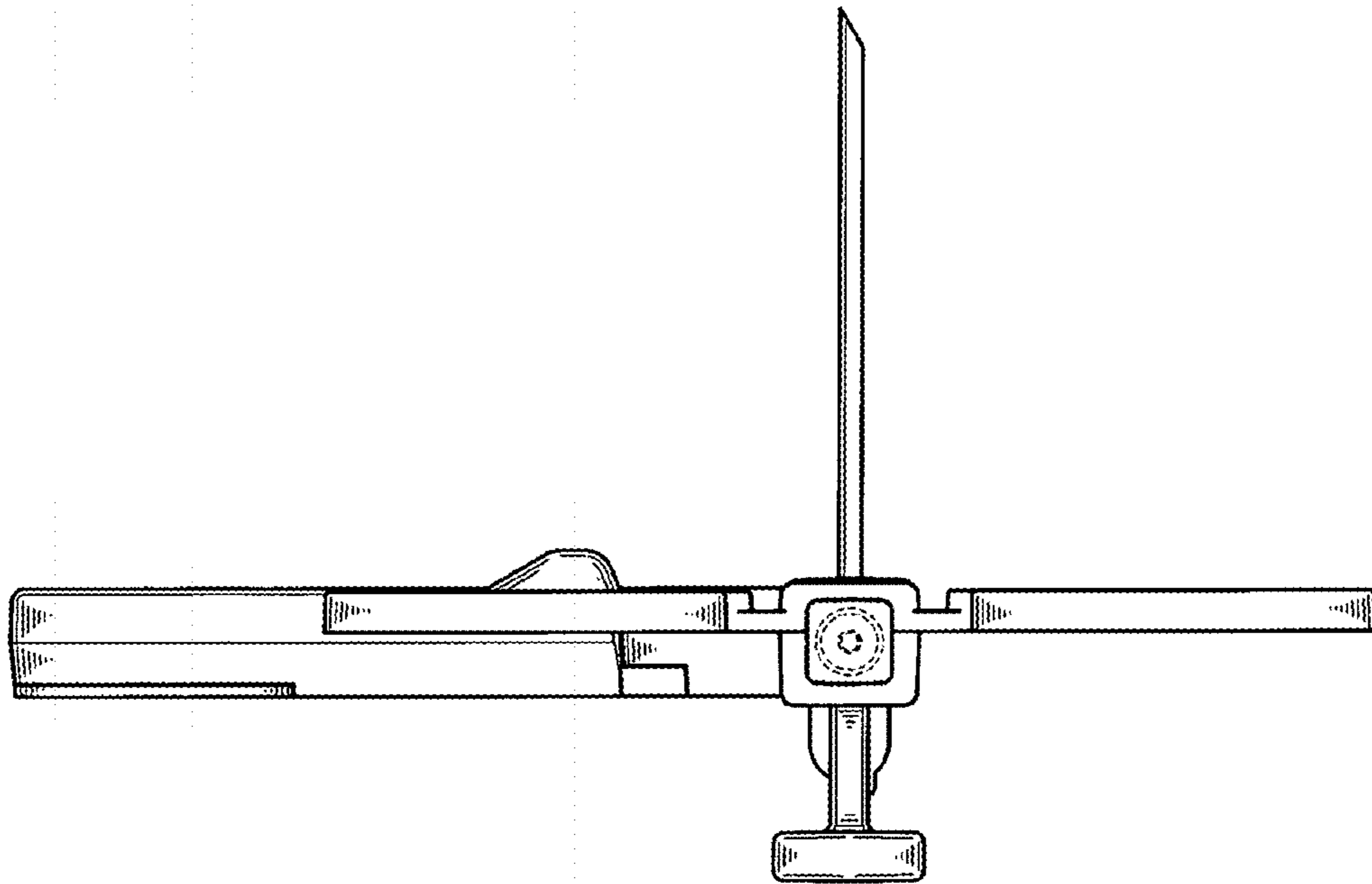


FIG. 7

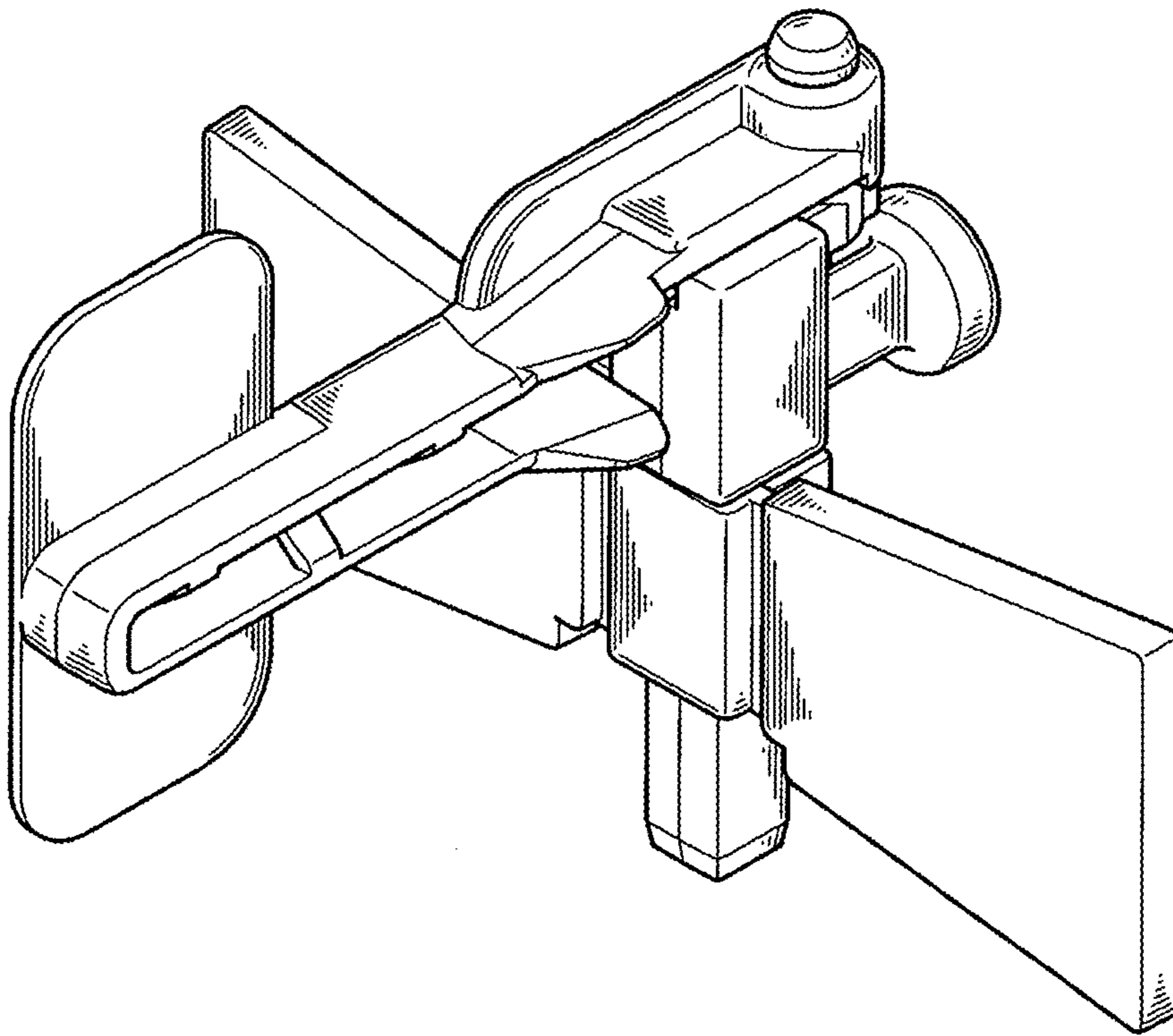


FIG.8