



US00D775336S

(12) **United States Design Patent** (10) **Patent No.:** **US D775,336 S**  
**Shelton, IV et al.** (45) **Date of Patent:** **\*\* \*Dec. 27, 2016**

- (54) **SURGICAL FASTENER**
- (71) Applicant: **Ethicon Endo-Surgery, Inc.**,  
Cincinnati, OH (US)
- (72) Inventors: **Frederick E. Shelton, IV**, Hillsboro,  
OH (US); **Chester O. Baxter, III**,  
Loveland, OH (US); **Adam R.**  
**Dunki-Jacobs**, Cincinnati, OH (US)
- (73) Assignee: **Ethicon Endo-Surgery, LLC**,  
Guaynabo, PR (US)
- (\*) Notice: This patent is subject to a terminal dis-  
claimer.
- (\*\*) Term: **14 Years**
- (21) Appl. No.: **29/477,488**
- (22) Filed: **Dec. 23, 2013**
- (51) **LOC (10) Cl.** ..... **24-02**
- (52) **U.S. Cl.**  
USPC ..... **D24/145**
- (58) **Field of Classification Search**  
USPC ..... D24/145; 606/53, 60, 75, 219, 213, 220,  
606/308, 315  
CPC ..... A61B 2017/0417; A61B 17/06166;  
A61B 17/0643; A61B 17/0487; A61B  
17/064; A61B 2017/0419; A61B 17/122;  
A61B 17/0644; A61B 17/068  
See application file for complete search history.

- (56) **References Cited**  
U.S. PATENT DOCUMENTS  
D286,180 S \* 10/1986 Korthoff ..... D24/145  
D286,442 S \* 10/1986 Korthoff ..... D24/145  
4,932,960 A \* 6/1990 Green ..... A61B 17/0643  
606/220

- 5,282,829 A \* 2/1994 Hermes ..... A61B 17/064  
411/479
- 6,015,417 A \* 1/2000 Reynolds, Jr. .... A61B 17/064  
606/151
- 8,097,017 B2 \* 1/2012 Viola ..... A61B 17/064  
606/215
- 8,728,119 B2 \* 5/2014 Cummins ..... A61B 17/0644  
411/439
- 9,265,500 B2 \* 2/2016 Sorrentino ..... A61B 17/0644
- 2006/0100649 A1 \* 5/2006 Hart ..... A61B 17/0643  
606/157
- 2008/0065153 A1 \* 3/2008 Allard ..... A61B 17/064  
606/219
- 2011/0046666 A1 \* 2/2011 Sorrentino ..... A61B 17/0644  
606/219
- 2014/0018832 A1 \* 1/2014 Shelton, IV ..... A61B 17/122  
606/158

\* cited by examiner

*Primary Examiner* — Wan Laymon

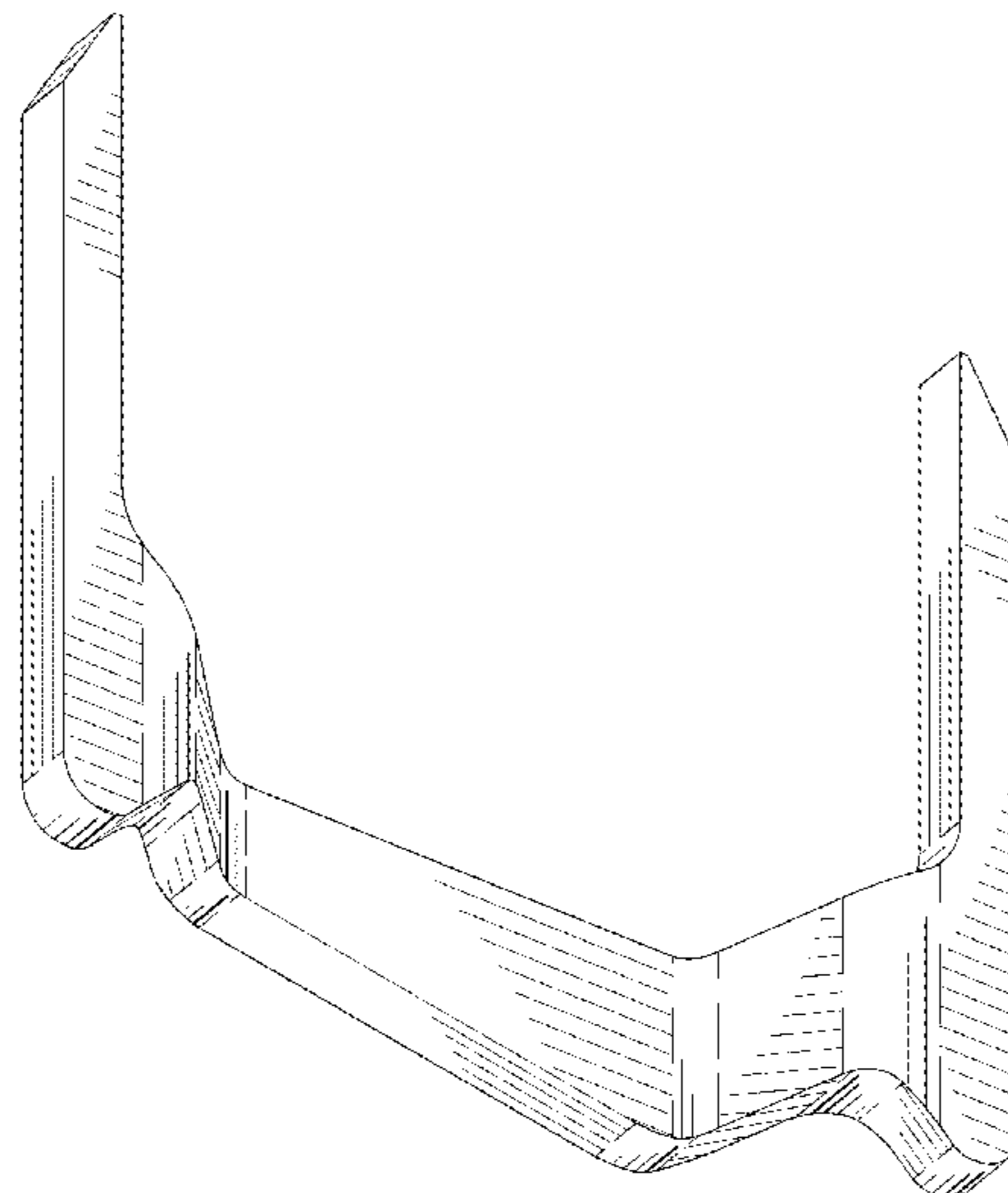
(57) **CLAIM**

The ornamental design for a surgical fastener, as shown and described.

**DESCRIPTION**

FIG. 1 is a perspective view of a surgical fastener.  
 FIG. 2 is another perspective view of the surgical fastener of FIG. 1.  
 FIG. 3 is a front elevation view of the surgical fastener of FIG. 1.  
 FIG. 4 is a rear elevation view of the surgical fastener of FIG. 1.  
 FIG. 5 is a top plan view of the surgical fastener of FIG. 1.  
 FIG. 6 is a bottom plan view of the surgical fastener of FIG. 1.  
 FIG. 7 is a right elevation view of the surgical fastener of FIG. 1; and,  
 FIG. 8 is a left elevation view of the surgical fastener of FIG. 1.

**1 Claim, 6 Drawing Sheets**



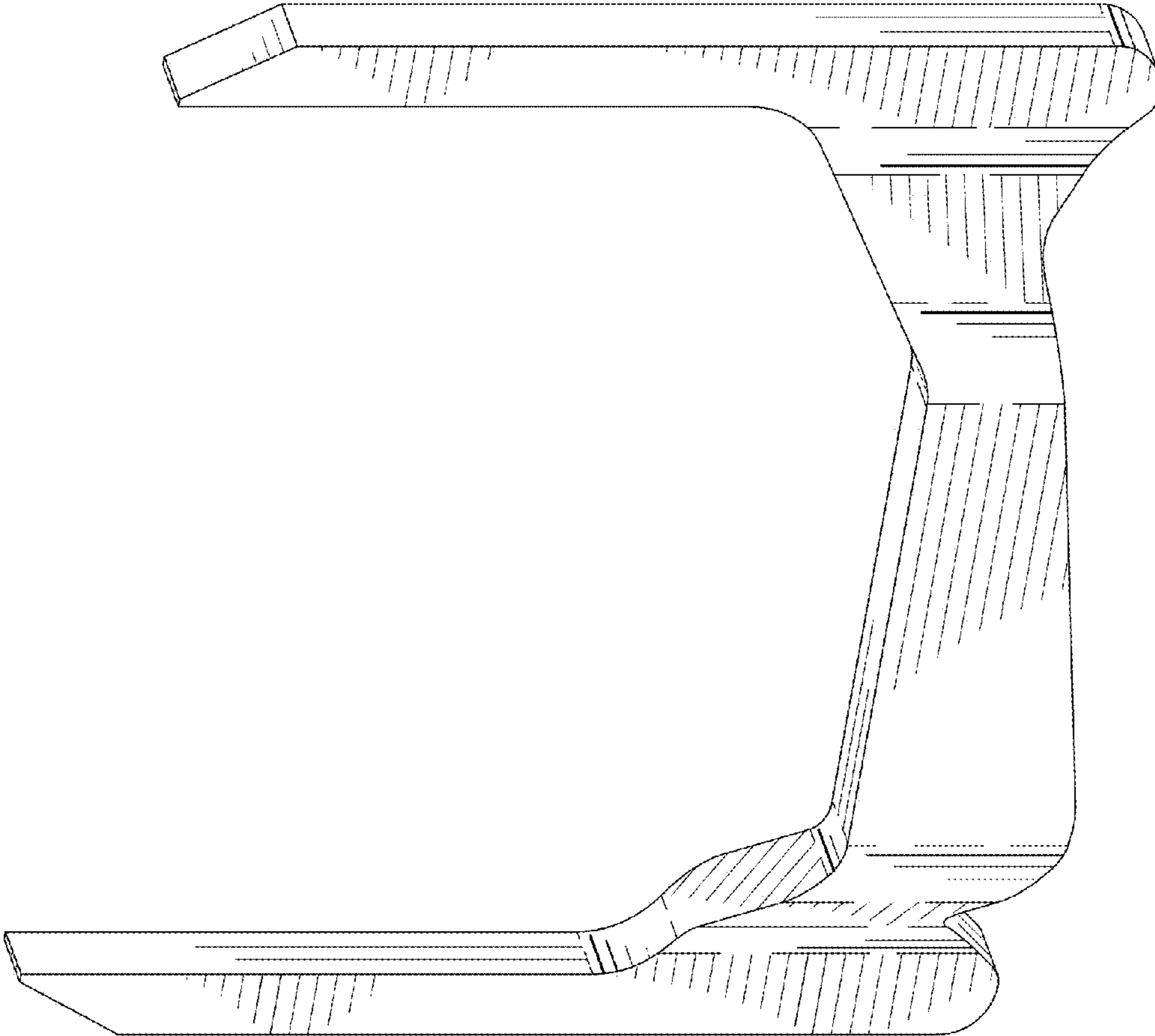


FIG. 1

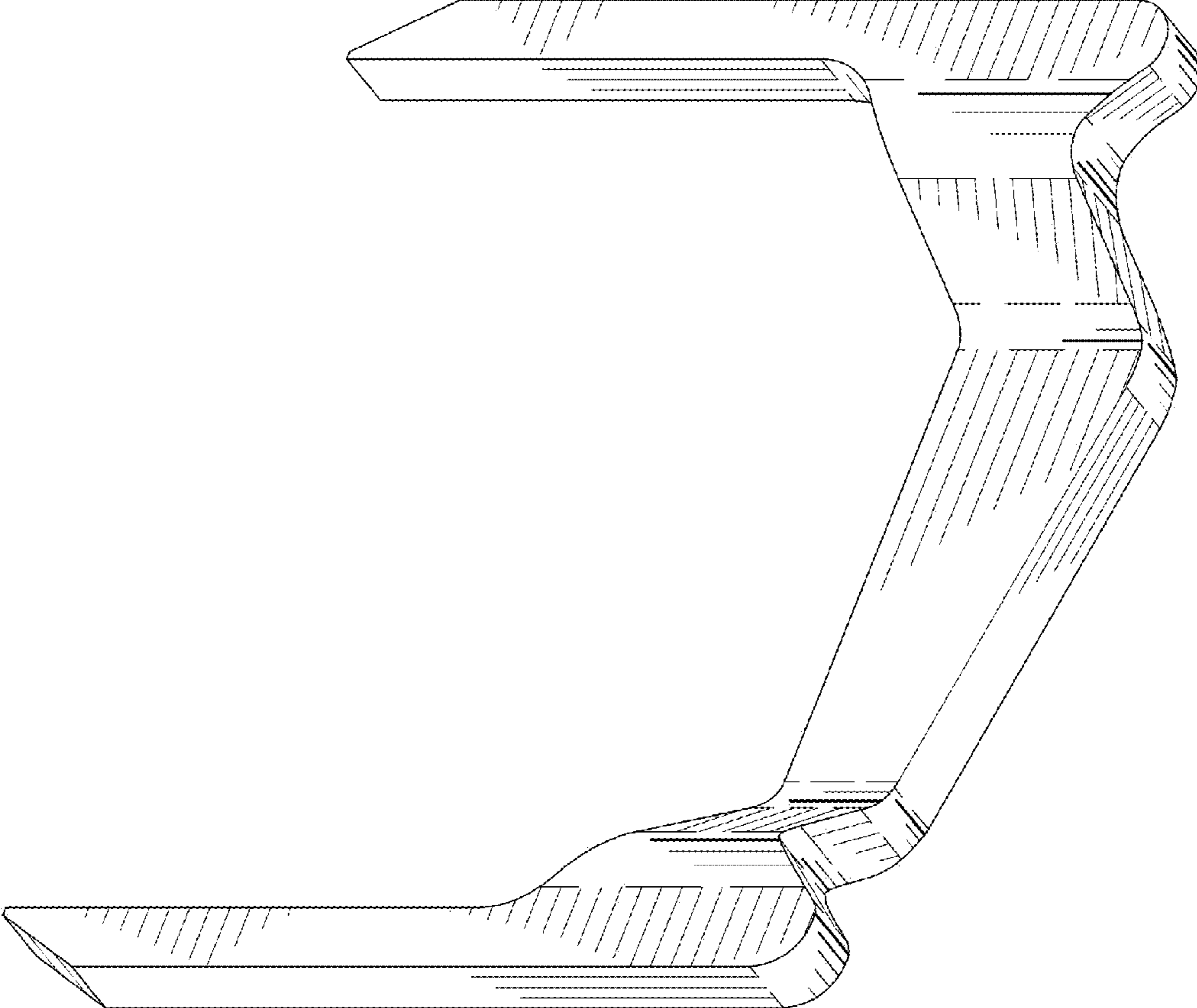


FIG. 2

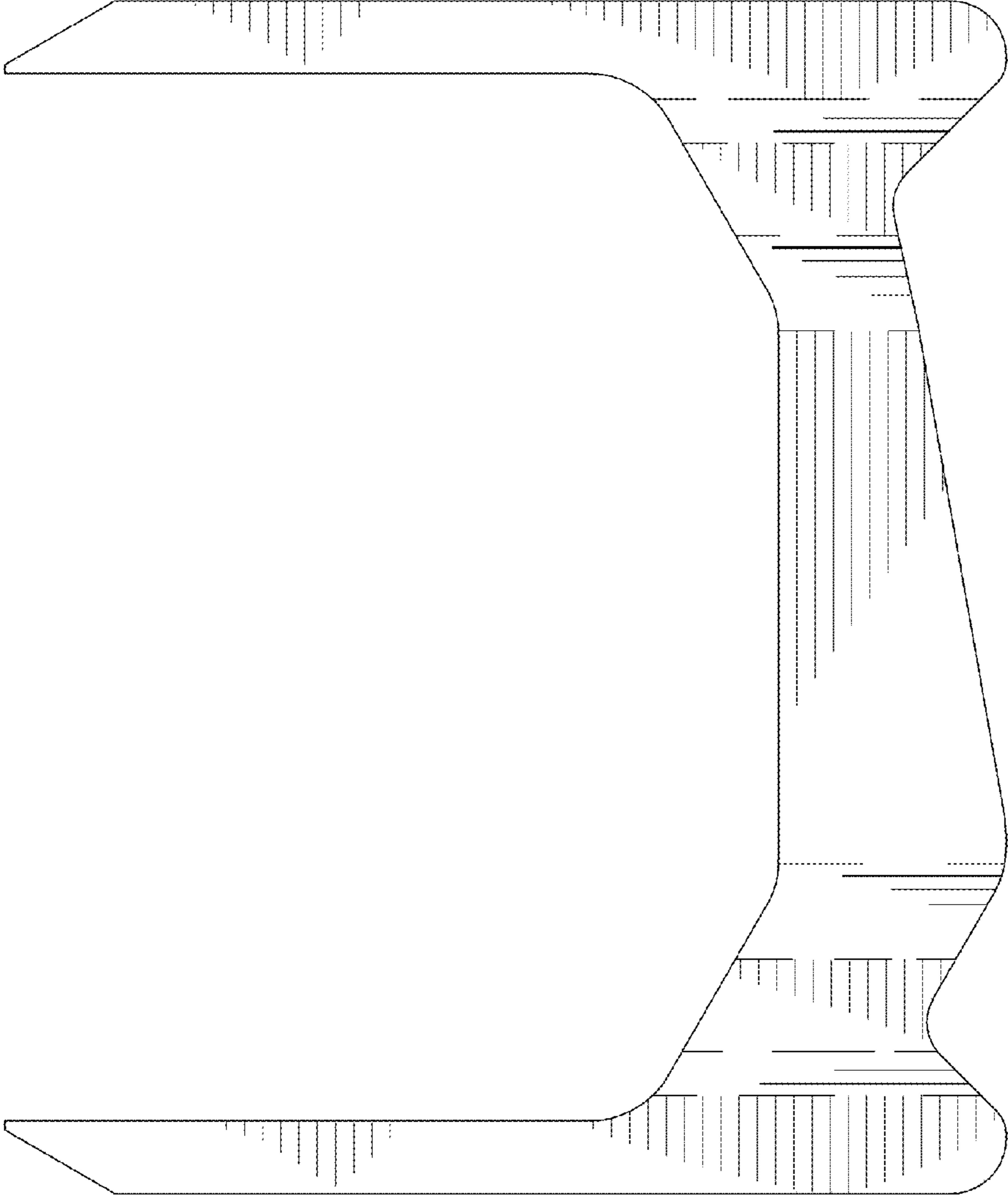


FIG. 3

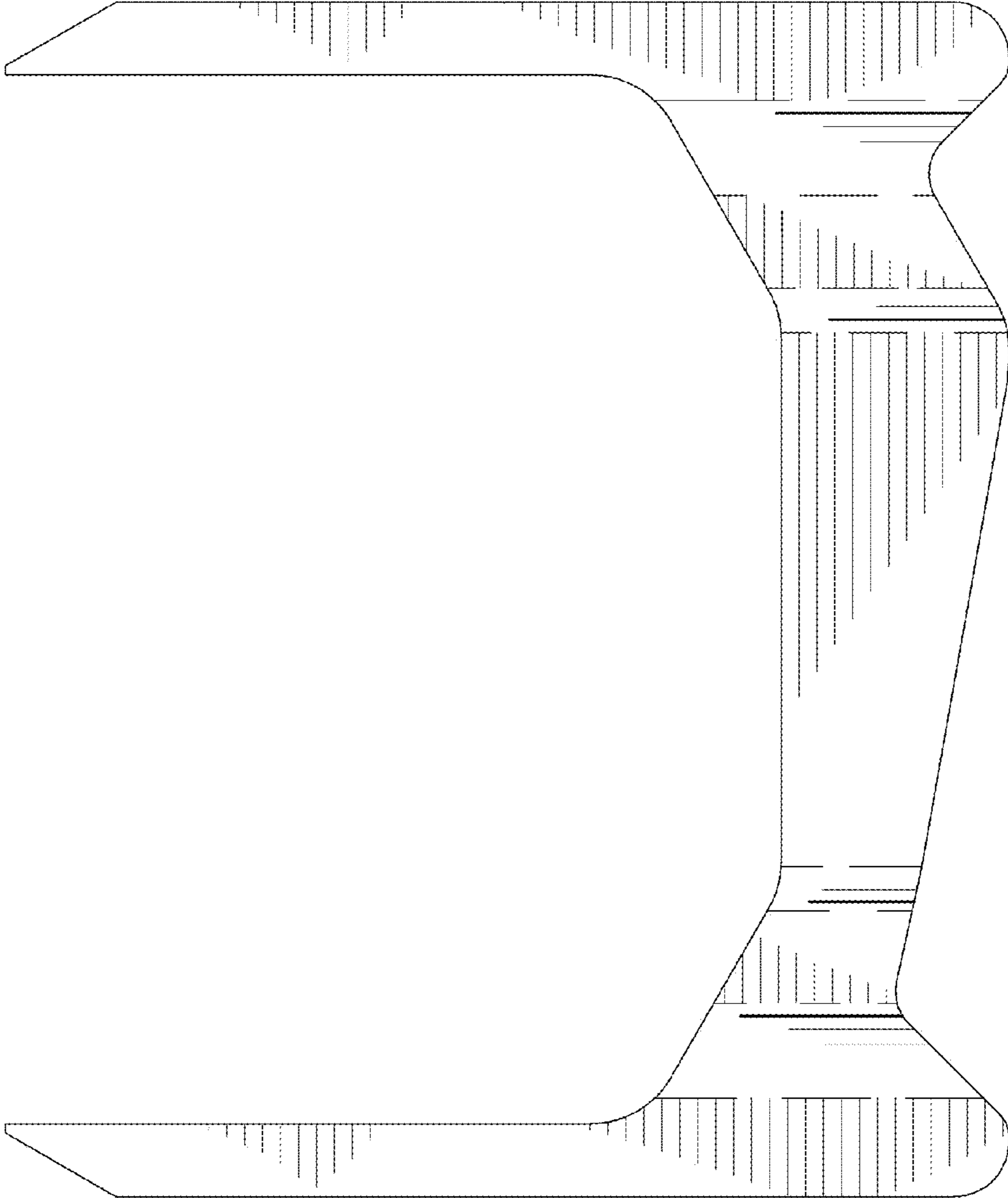


FIG. 4

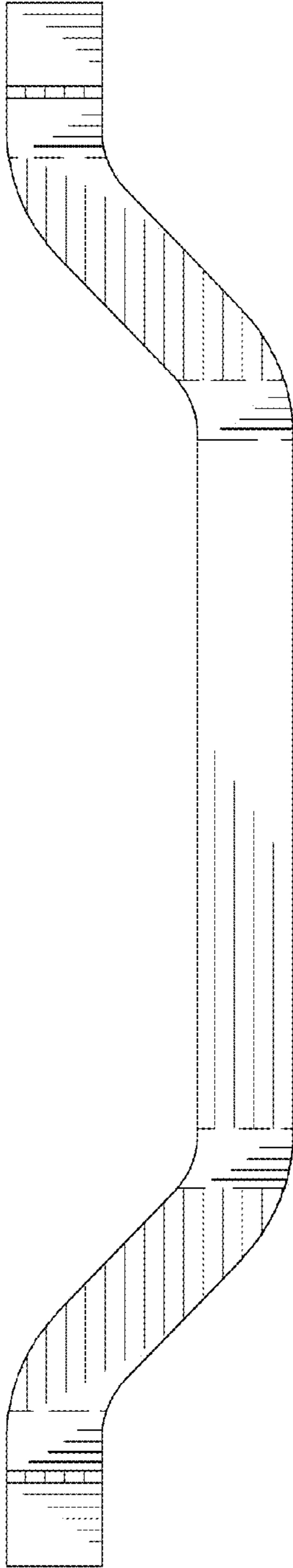


FIG. 5

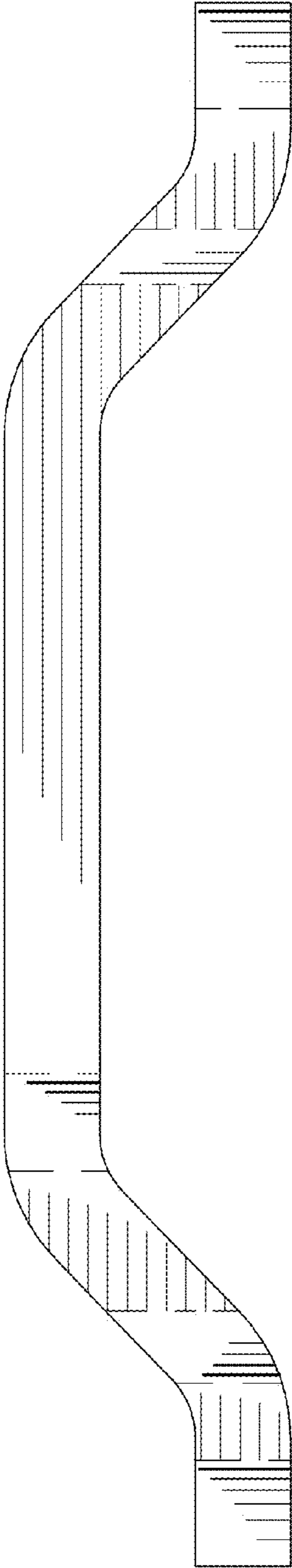


FIG. 6

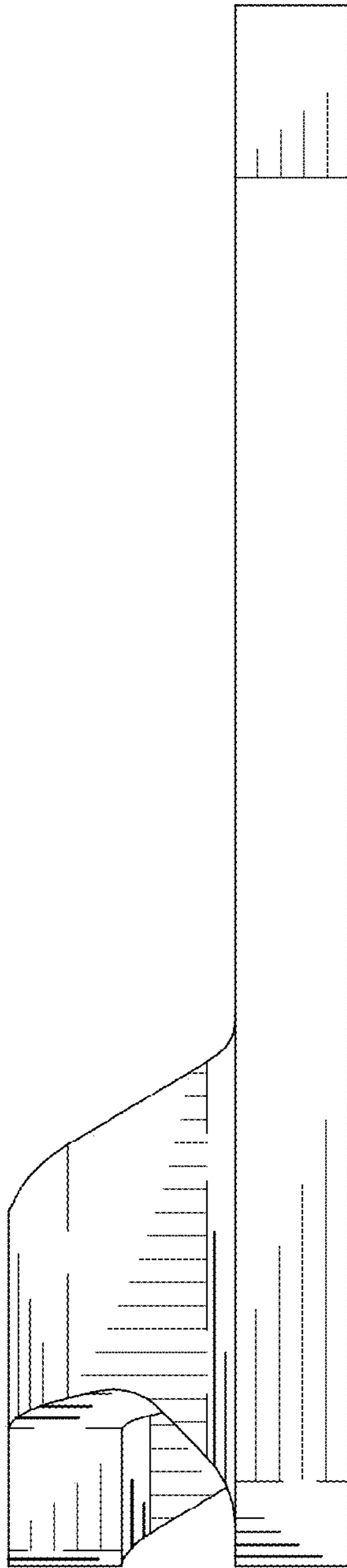


FIG. 7

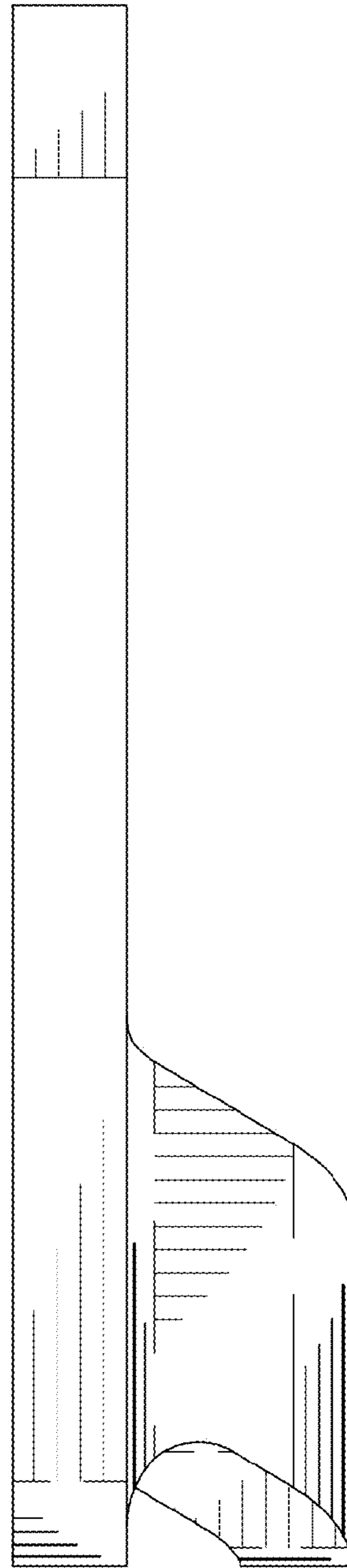


FIG. 8