



US00D775334S

(12) **United States Design Patent**
Hayamizu

(10) **Patent No.:** **US D775,334 S**
(45) **Date of Patent:** **** Dec. 27, 2016**

(54) **ENDOSCOPE CONTROL GRIP**

FOREIGN PATENT DOCUMENTS

(71) Applicant: **HOYA CORPORATION**, Tokyo (JP)

CN 300810548 * 7/2008
CN 301642454 * 8/2011

(72) Inventor: **Eiji Hayamizu**, Tokyo (JP)

(Continued)

(73) Assignee: **Hoya Corporation**, Tokyo (JP)

OTHER PUBLICATIONS

(**) Term: **14 Years**

Wikimedia Commons. <URL: https://commons.wikimedia.org/wiki/File:Shoehorn_20101109.jpg>. Nov. 9, 2010). Shoehorn.*

(21) Appl. No.: **29/513,109**

(Continued)

(22) Filed: **Dec. 26, 2014**

Primary Examiner — Bridget L Eland

Assistant Examiner — Lauren McVey

(30) **Foreign Application Priority Data**

(74) *Attorney, Agent, or Firm* — Faegre Baker Daniels LLP

Jun. 30, 2014 (JP) 2014-014333

(57) **CLAIM**

(51) **LOC (10) Cl.** **24-02**

The ornamental design for an endoscope control grip, as shown and described.

(52) **U.S. Cl.**

DESCRIPTION

USPC **D24/138**

(58) **Field of Classification Search**

USPC D24/138, 137, 133, 135, 140; 600/131, 600/132, 145-147; D21/818-821

CPC A61B 1/267; A61B 1/2673; A61B 1/2676; A61B 1/00; A61B 1/00052; A61B

1/00066; A61B 5/0077; A61B 19/5223; A61B 19/5225; A61B 1/04; A61B 1/042;

A61B 8/5215; G02B 23/24

See application file for complete search history.

FIG. 1 is a front, top, and right side perspective view of an endoscope control grip showing my new design;

FIG. 2 is a front view thereof;

FIG. 3 is a top plan view thereof;

FIG. 4 is a bottom plan view thereof;

FIG. 5 is a right side view thereof;

FIG. 6 is a cross-sectional view thereof taken along line 6-6 of FIG. 5;

FIG. 7 is a cross-sectional view thereof taken along line 7-7 of FIG. 5; and,

FIG. 8 is a cross-sectional view thereof taken along line 8-8 of FIG. 5.

The features shown in evenly spaced broken lines in the drawings depict environmental subject matter only and form no part of the claimed design. The dash-dotted lines denote the boundary of the claim and form no part of the claimed design. The dot-dot-dash lines denote the cross-sectional reference lines and form no part of the claimed design.

(56) **References Cited**

U.S. PATENT DOCUMENTS

D392,363 S * 3/1998 Jonas D21/821

D437,934 S 2/2001 Wilkinson et al.

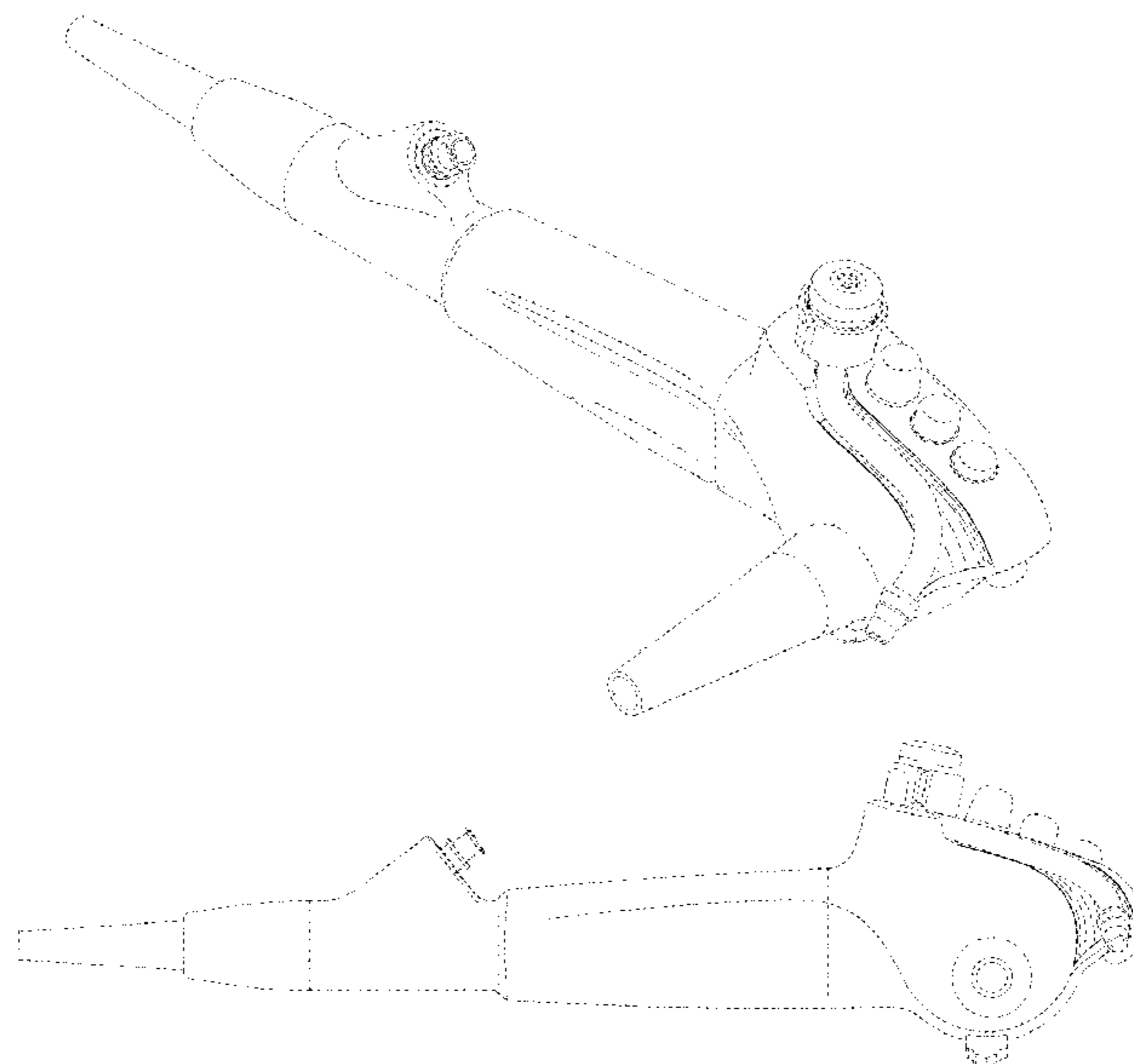
D468,015 S 12/2002 Horppu

D481,124 S * 10/2003 Hayamizu D24/138

D486,910 S * 2/2004 Hayamizu D24/138

(Continued)

1 Claim, 8 Drawing Sheets



(56)

References Cited

U.S. PATENT DOCUMENTS

D493,529 S * 7/2004 Hayamizu D24/138
 6,786,865 B2 9/2004 Dhindsa
 D498,846 S * 11/2004 Hayamizu D24/138
 D519,632 S 4/2006 Bayron et al.
 D529,980 S * 10/2006 Rieber D21/821
 D535,393 S * 1/2007 Pilvisto D16/202
 D629,099 S 12/2010 Kilani
 D634,007 S 3/2011 Zinger et al.
 D638,931 S 5/2011 Graham et al.
 D664,649 S 7/2012 Becker
 D667,106 S 9/2012 Puhasmagi
 D673,674 S 1/2013 Ho
 D675,729 S 2/2013 Wang
 D675,732 S 2/2013 Baid
 D718,443 S * 11/2014 Yoshida D24/138
 D718,444 S * 11/2014 Yoshida D24/138
 D718,445 S * 11/2014 Yoshida D24/138
 D718,447 S * 11/2014 Yoshida D24/138
 D736,914 S 8/2015 Schultz
 D736,915 S 8/2015 Schultz
 2007/0038024 A1 * 2/2007 Nakamura A61B 1/00124
 600/110
 2009/0216084 A1 * 8/2009 Yamane A61B 1/00068
 600/159

FOREIGN PATENT DOCUMENTS

CN 303219022 * 5/2015
 JP D7761591 A 5/1990
 JP D814756 A 7/1991
 JP D865437 A 3/1993
 WO WO 2011013453 A1 * 2/2011 A61B 1/00052
 WO WO 2014155793 A1 * 10/2014 G02B 23/24
 WO WO 2014192386 A1 * 12/2014 A61B 1/00071

OTHER PUBLICATIONS

FujiFilm SB-602 User Manual, issued by FujiFilm Corporation on Aug. 30, 2010 (1st Edition) and Oct. 29, 2010 (2nd edition), 2 pages.
 Hoya EB-1570AK and EB 1970AK User manual, issued by Hoya Corporation on Aug. 15, 2012 (7th edition) and Jan. 25, 2013 (8 edition), 4 pages.
 Olympus Maj-209 User Manual, issued by Olympus Medical Systems Corp. on Feb. 27, 2007 (10th Edition) and Feb. 3, 2009 (11th edition), 4 pages.
 U.S. Appl. No. 29/513,105, filed Dec. 26, 2014.
 U.S. Appl. No. 29/513,107, filed Dec. 26, 2014.
 U.S. Appl. No. 29/513,110, filed Dec. 26, 2014.

* cited by examiner

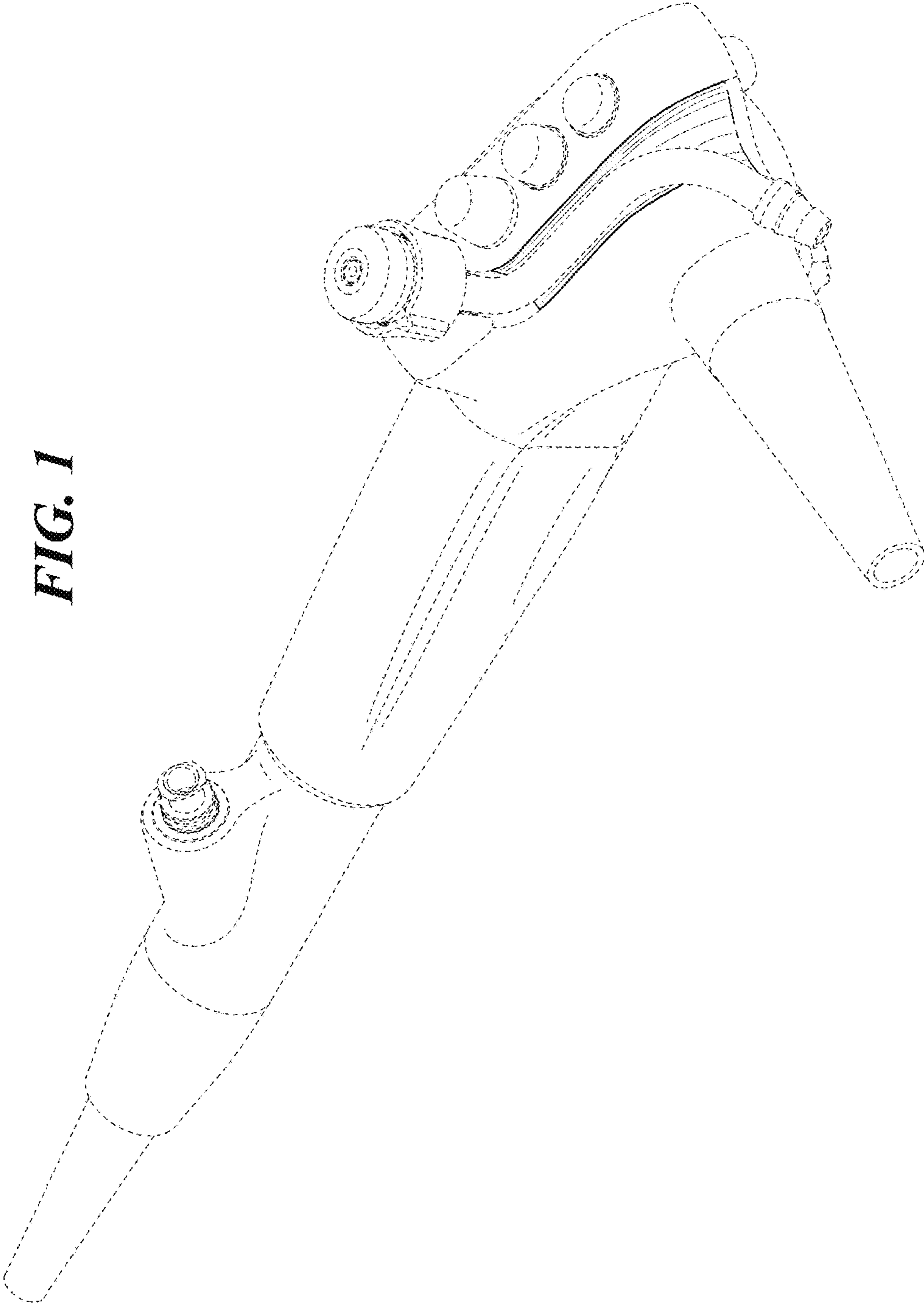


FIG. 2

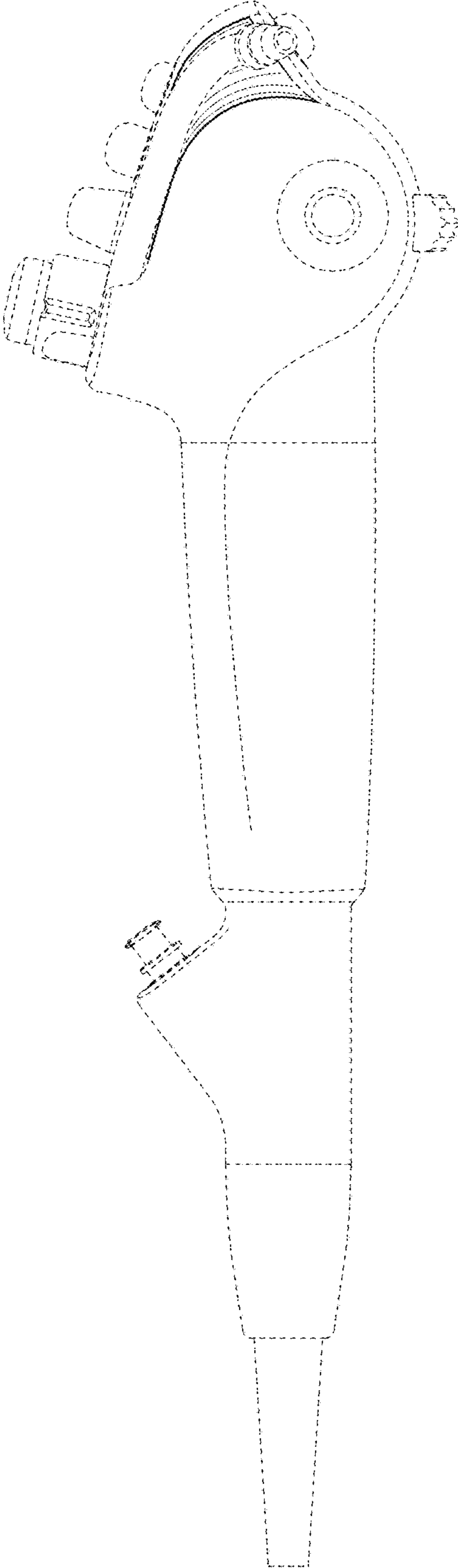
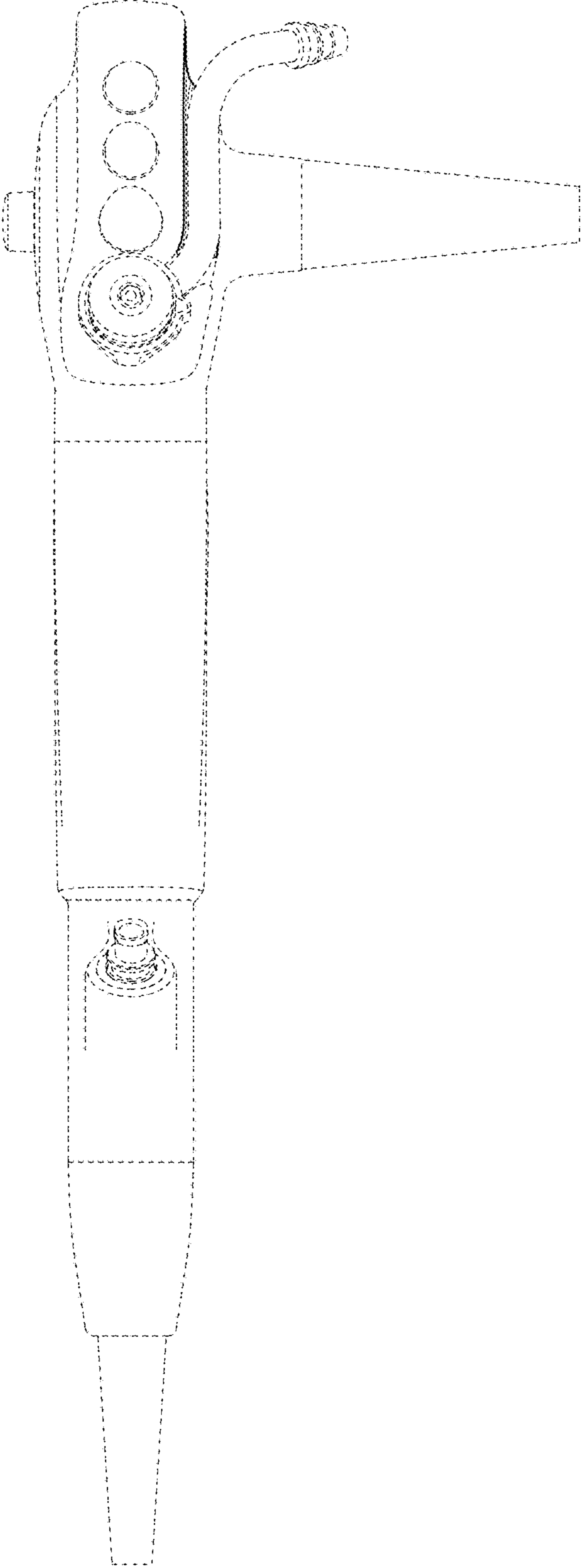


FIG. 3



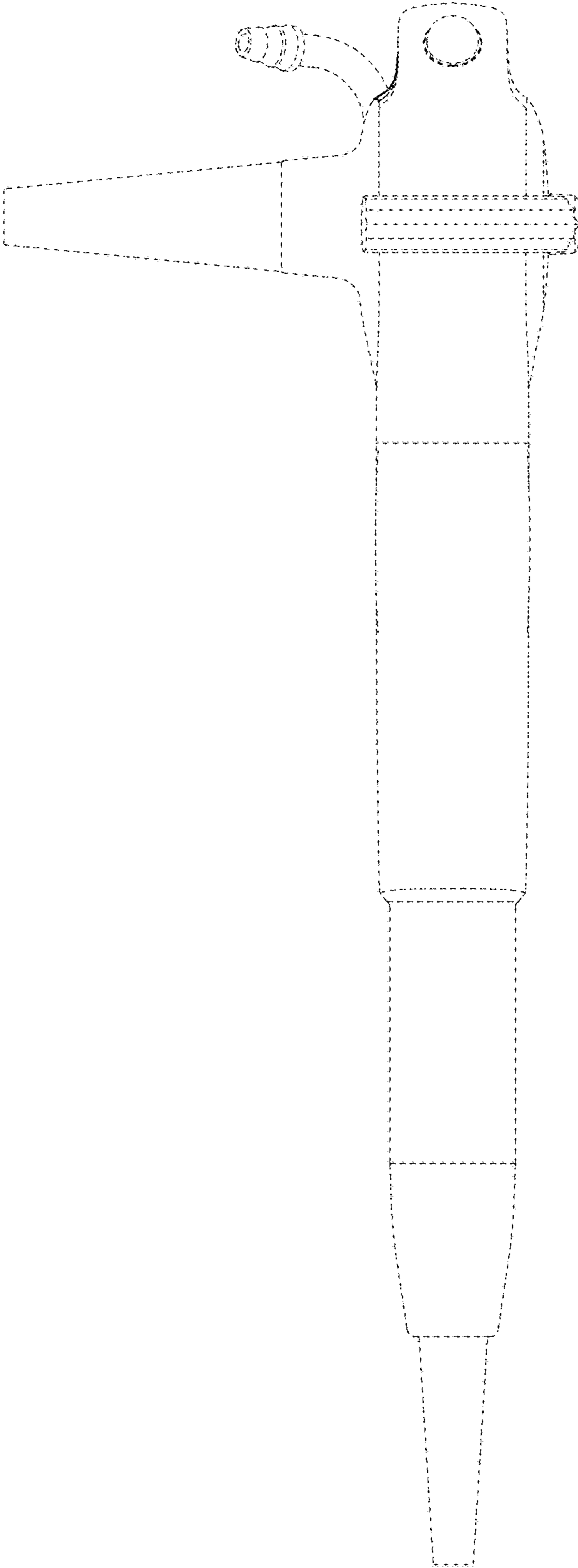


FIG. 4

FIG. 5

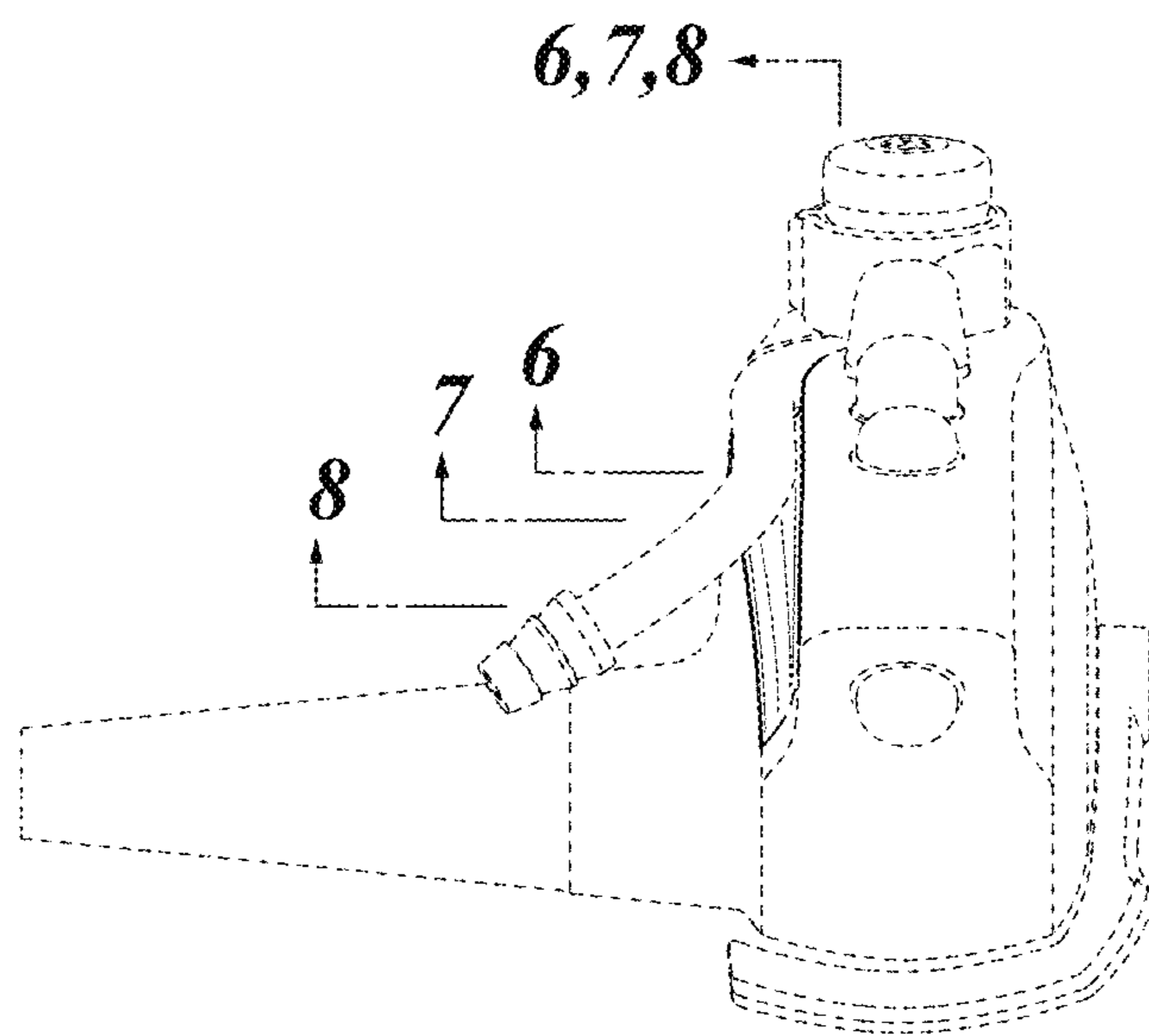


FIG. 6

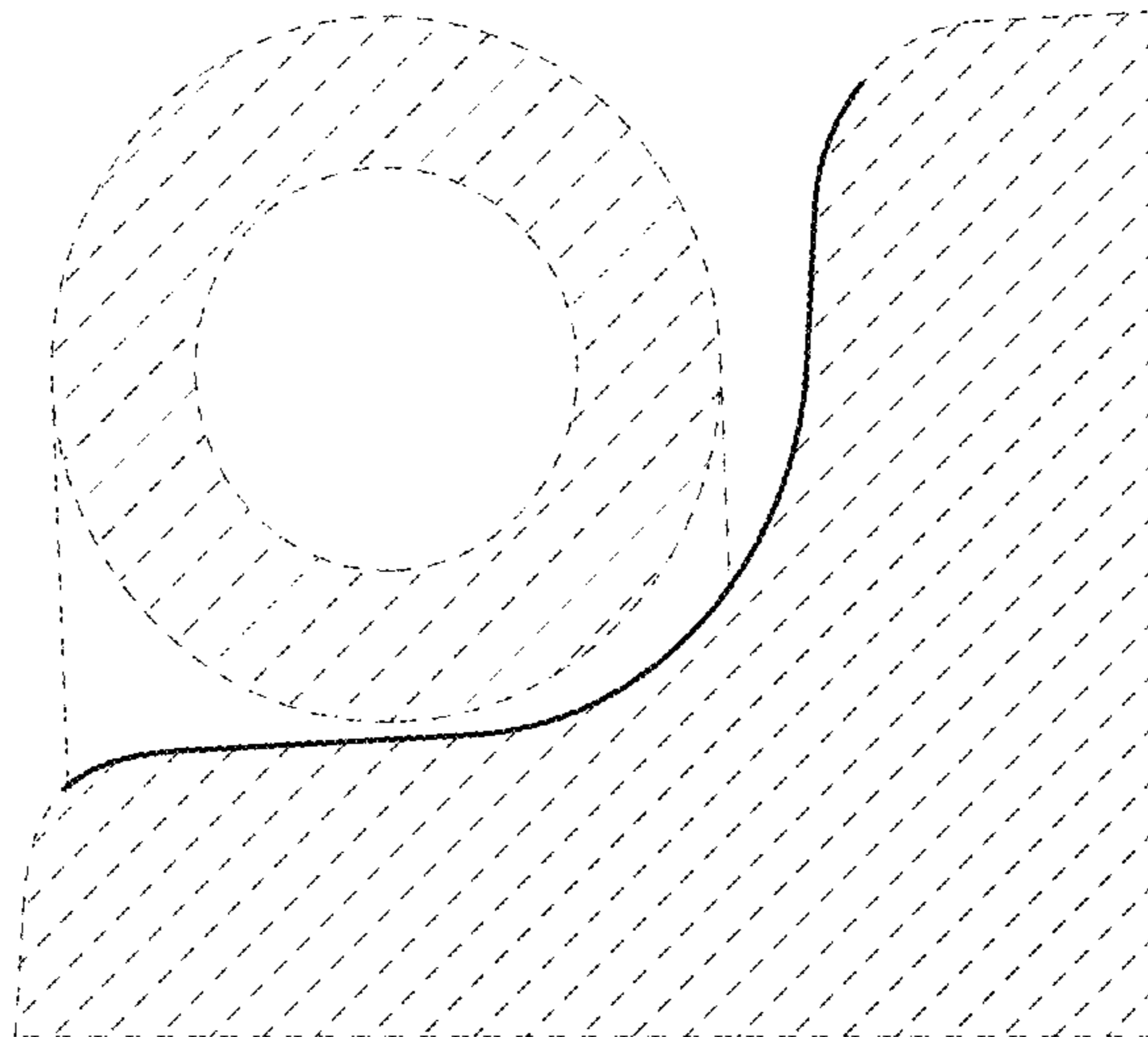


FIG. 7

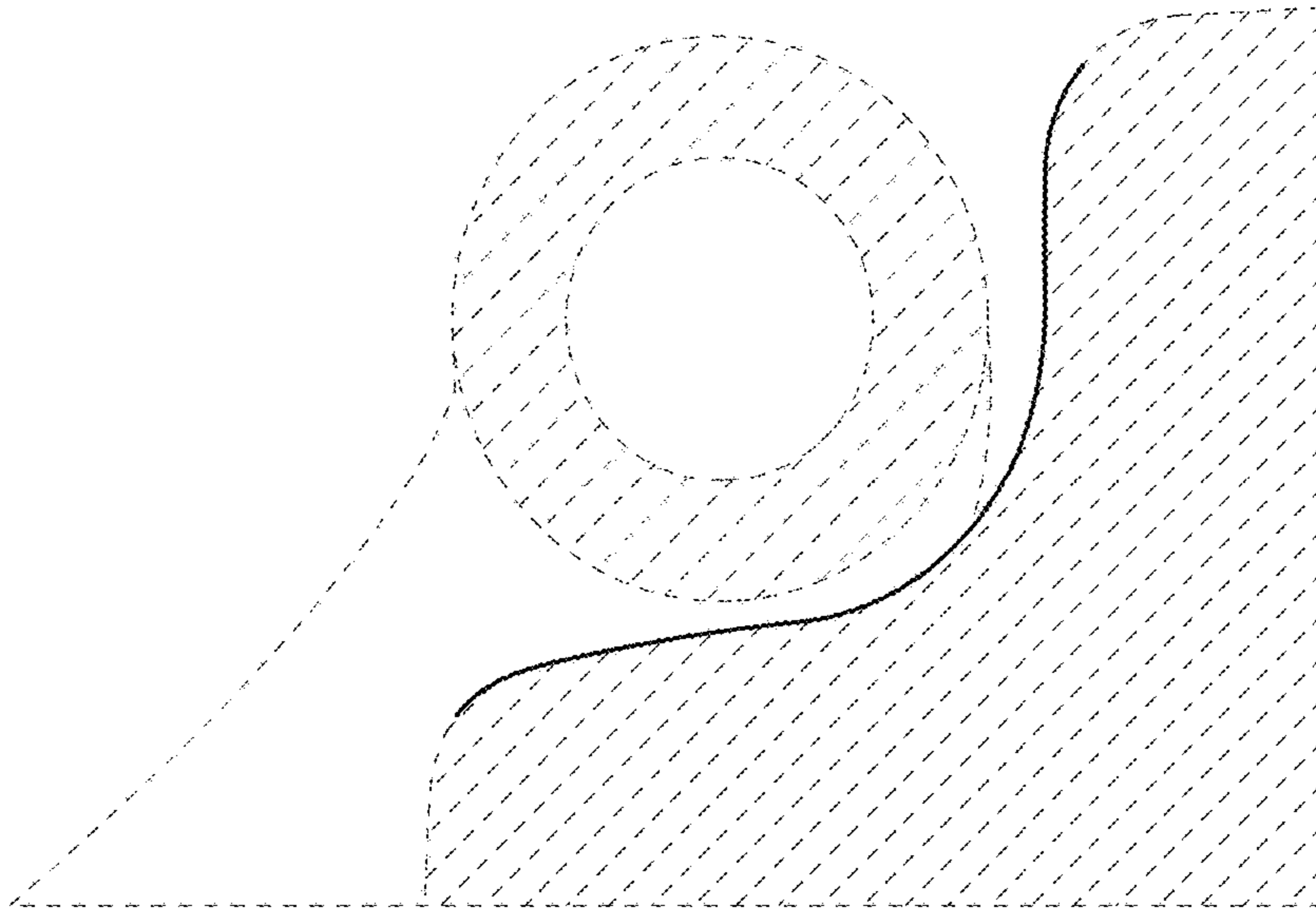


FIG. 8

