



US00D775332S

(12) **United States Design Patent** (10) **Patent No.:** **US D775,332 S**  
**Merz et al.** (45) **Date of Patent:** **\*\* Dec. 27, 2016**

(54) **NEEDLE HOLDER**

(71) Applicant: **Karl Storz GmbH & Co. KG**,  
Tuttlingen (DE)

(72) Inventors: **Robin Merz**, Furtwangen (DE); **Jörg Keckstein**, Villach (AT)

(73) Assignee: **Karl Storz GmbH & Co. KG**,  
Tuttlingen (DE)

(\*\*) Term: **15 Years**

(21) Appl. No.: **29/530,528**

(22) Filed: **Jun. 17, 2015**

(30) **Foreign Application Priority Data**

Dec. 18, 2014 (EM) ..... 002601179-0001

(51) **LOC (10) Cl.** ..... **24-02**

(52) **U.S. Cl.**  
USPC ..... **D24/133**

(58) **Field of Classification Search**

USPC ..... D24/108, 112, 117, 118, 133, 135, 137,  
D24/138, 222, 141, 111, 113, 127, 143,  
D24/148, 179, 216, 152, 153, 154, 176;  
D8/4, 29.1, 29.2, 30, 31, 39  
CPC ... A61B 90/18; A61B 5/153; A61B 17/06066;  
A61B 17/06114; A61B 17/06138; A61B  
17/06161; A61B 17/0625; A61B 17/2816;  
A61B 17/2841; A61B 17/2909; A61B  
17/3201; A61B 18/1477; A61B 19/201;  
A61B 2017/00398; A61B 17/062; A61B  
5/15003; A61B 5/150732; A61B 5/154;  
A61B 5/150389; A61B 5/150572; A61B  
5/1444; A61B 5/150496; A61B 17/29;  
A61B 17/0469; A61B 2017/00353; A61B  
2017/2926; A61B 5/01; A61M 5/3202;  
A61M 5/322; A61M 5/3205; A61M  
2005/312; A61M 5/3216; A61M 5/321;  
A61M 5/008; A61M 2005/3235; A61M  
2025/09116; A61M 2025/09125; A61M  
25/0054; A61M 25/0606

See application file for complete search history.

(56) **References Cited**

U.S. PATENT DOCUMENTS

D253,473 S 11/1979 Jolley  
D257,725 S 12/1980 Ingram  
D275,013 S 8/1984 Ballinger  
5,020,519 A 6/1991 Hayes et al.  
5,147,357 A 9/1992 Rose et al.

(Continued)

OTHER PUBLICATIONS

Rassweiler, et al.; "Extraperitoneal Retrograde Laparoscopic Radical Prostatectomy—The Heilbronn Technique in 2011—The Concept for Restoring Early Continence."; 2011; 3 pages.

(Continued)

*Primary Examiner* — Robert M Spear

*Assistant Examiner* — Eliza Bennett-Hattan

(74) *Attorney, Agent, or Firm* — Whitmyer IP Group LLC

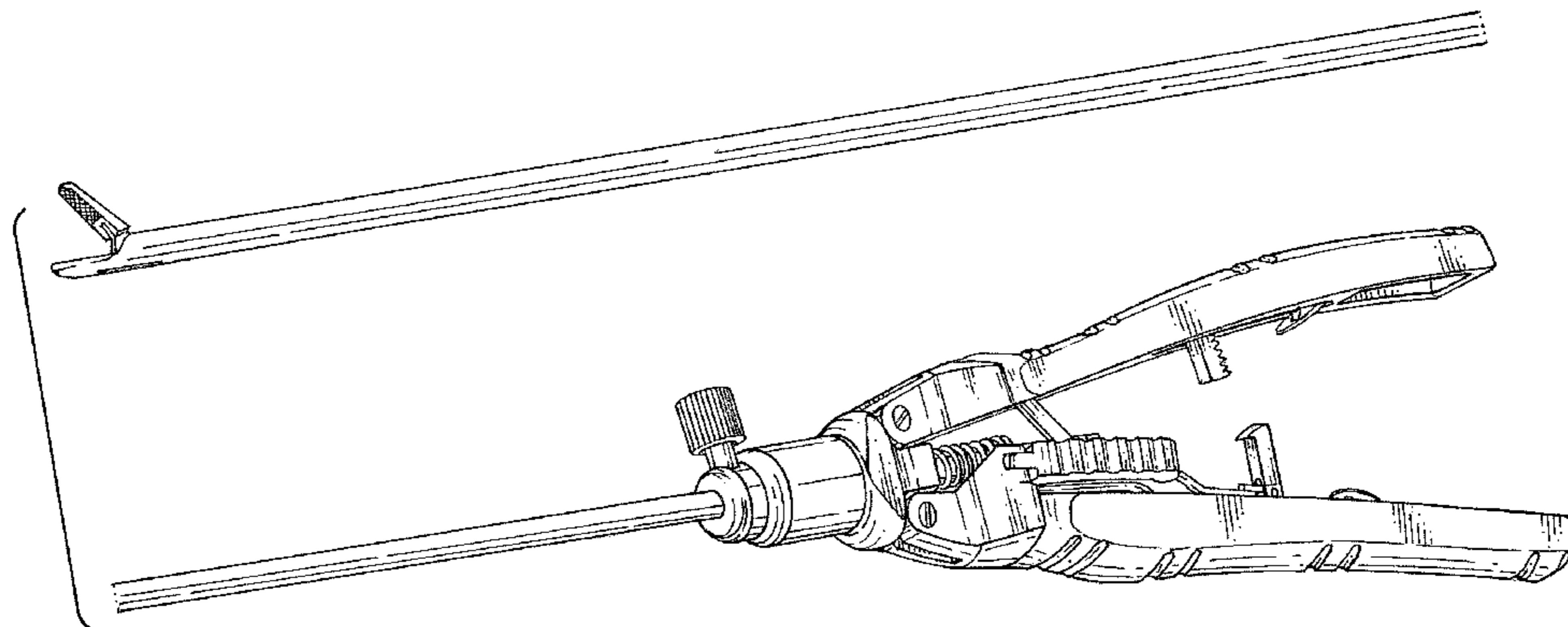
(57) **CLAIM**

The ornamental design for a needle holder, as shown and described.

**DESCRIPTION**

FIG. 1 is a front left side bottom isometric view of a needle holder in accordance with the new design;  
FIG. 2 is a left side elevational view thereof;  
FIG. 3 is a right side elevational view thereof;  
FIG. 4 is a top plan view thereof;  
FIG. 5 is a bottom plan view thereof;  
FIG. 6 is a rear elevational view thereof; and,  
FIG. 7 is a front elevational view thereof.  
The broken lines shown in FIGS. 1-5 are included for the purpose of illustrating portions of the needle holder that form no part of the claimed design.

**1 Claim, 7 Drawing Sheets**



(56)

References Cited

U.S. PATENT DOCUMENTS

5,196,023 A 3/1993 Martin  
 5,282,800 A 2/1994 Foshee et al.  
 D346,862 S 5/1994 Koros et al.  
 5,312,433 A 5/1994 Boebel et al.  
 D350,606 S 9/1994 Koros et al.  
 5,354,313 A 10/1994 Boebel  
 5,359,993 A 11/1994 Slater et al.  
 5,364,409 A 11/1994 Kuwabara et al.  
 5,413,583 A 5/1995 Wohlers  
 5,417,701 A 5/1995 Holmes  
 5,439,471 A 8/1995 Kerr  
 5,454,819 A 10/1995 Knoepfler  
 5,603,723 A 2/1997 Aranyi et al.  
 D378,611 S 3/1997 Croley  
 D384,413 S 9/1997 Zlock et al.  
 5,704,925 A 1/1998 Otten et al.  
 5,728,107 A 3/1998 Zlock et al.  
 D397,698 S 9/1998 Rendahl  
 6,063,096 A 5/2000 Boebel et al.  
 RE36,795 E 7/2000 Rydell  
 6,254,620 B1 7/2001 Koh et al.  
 D450,725 S 11/2001 Yates et al.  
 6,419,688 B1 7/2002 Bacher et al.  
 6,436,122 B1 8/2002 Frank et al.  
 6,440,144 B1 8/2002 Bacher  
 D465,281 S 11/2002 Lang  
 6,540,737 B2 4/2003 Bacher et al.  
 D508,501 S 8/2005 Kawaguchi  
 D509,229 S 9/2005 Kawaguchi  
 6,976,992 B2 12/2005 Sachatello et al.  
 D514,135 S 1/2006 Kawaguchi  
 D515,112 S 2/2006 Kawaguchi  
 D537,162 S 2/2007 Bacher et al.  
 D541,416 S 4/2007 Baehr et al.  
 D562,450 S 2/2008 Wehrstein et al.  
 D571,914 S \* 6/2008 Bacher ..... D24/133  
 D575,401 S 8/2008 Hixson et al.  
 D578,645 S 10/2008 Shumer et al.  
 D583,472 S \* 12/2008 Koh ..... D24/143  
 D583,941 S 12/2008 Leroy  
 D594,982 S 6/2009 Stefan  
 D598,101 S \* 8/2009 Keckstein ..... D24/143

D598,547 S 8/2009 Stefan  
 D604,844 S 11/2009 Summerer et al.  
 D605,288 S 12/2009 Brostoff et al.  
 D614,298 S 4/2010 Koh et al.  
 D614,299 S \* 4/2010 Koh ..... D24/133  
 D617,899 S \* 6/2010 Koh ..... D24/133  
 D621,035 S \* 8/2010 Koh ..... D24/128  
 D622,742 S 8/2010 Riek et al.  
 D631,156 S \* 1/2011 Halder ..... D24/133  
 D635,258 S \* 3/2011 Schneider ..... D24/143  
 D639,944 S 6/2011 Schneider  
 D664,646 S \* 7/2012 Cuschieri ..... D24/133  
 D669,986 S \* 10/2012 Sepehrnia ..... D24/143  
 D719,654 S \* 12/2014 Weitkamp ..... D24/143  
 D720,069 S \* 12/2014 Kaercher ..... D24/133  
 D746,985 S \* 1/2016 Szabo ..... D24/143  
 2001/0027312 A1 10/2001 Bacher et al.  
 2001/0041911 A1 11/2001 Dittrich et al.  
 2005/0107824 A1 5/2005 Hillstead et al.  
 2005/0119692 A1 6/2005 Szabo  
 2005/0131396 A1 6/2005 Stanczak et al.  
 2006/0095074 A1 5/2006 Lee et al.  
 2006/0206144 A1 9/2006 Miersch  
 2007/0016248 A1 1/2007 Cuschieri et al.  
 2007/0179524 A1 8/2007 Weber et al.  
 2008/0046002 A1 2/2008 Renger et al.  
 2008/0046003 A1 2/2008 Renger et al.  
 2008/0172085 A1 7/2008 Chiu et al.  
 2008/0188891 A1 8/2008 Frank et al.  
 2008/0294191 A1 11/2008 Lee  
 2009/0076506 A1 3/2009 Baker  
 2009/0082795 A1 3/2009 Blocher et al.  
 2009/0157125 A1 6/2009 Hoffman et al.  
 2009/0209991 A1 8/2009 Hinchliffe et al.  
 2009/0248053 A1 10/2009 Bacher et al.  
 2010/0087818 A1 4/2010 Cunningham  
 2010/0324593 A1 12/2010 Schneider  
 2011/0190794 A1 8/2011 Dingler et al.  
 2012/0172663 A1 7/2012 Perretta et al.

OTHER PUBLICATIONS

EndoWorld®—KOH Macro Needle Holders; Storz—Karl Storz—  
 Endoskope; Oct. 2012; 3 pages.

\* cited by examiner

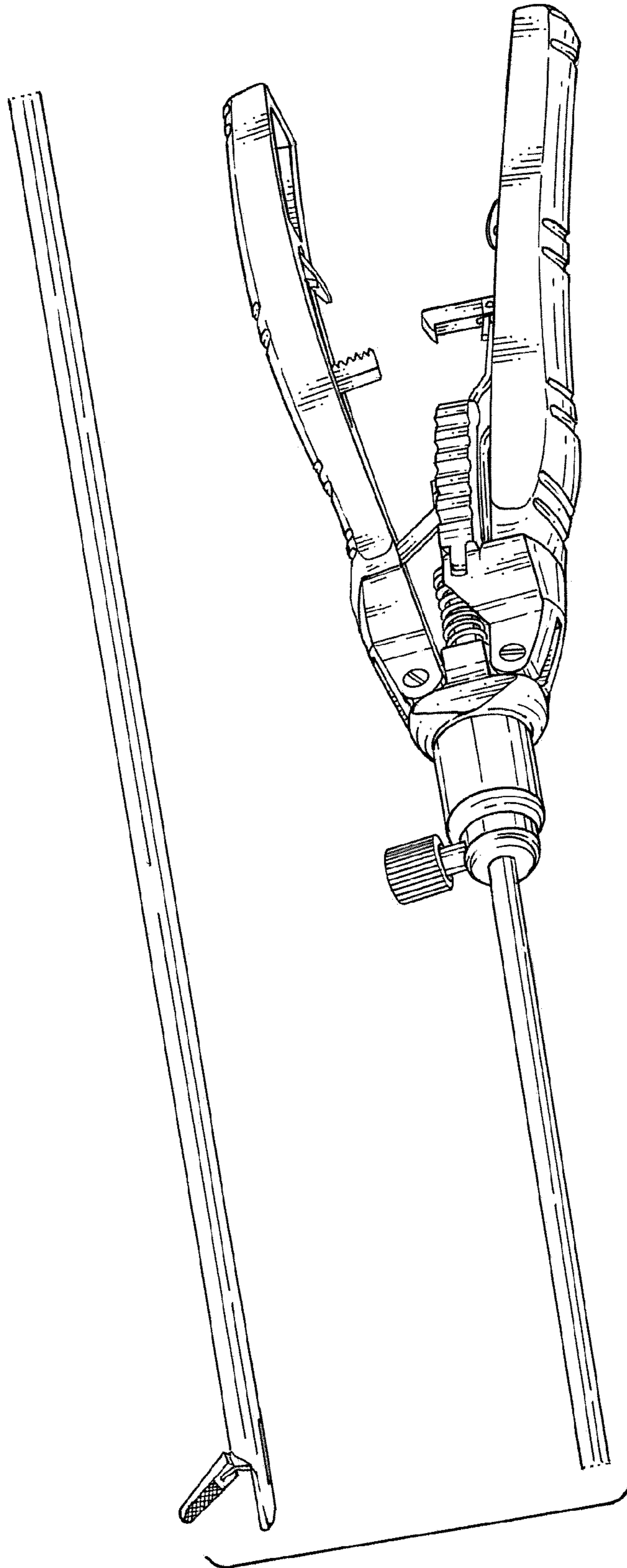


FIG. 1

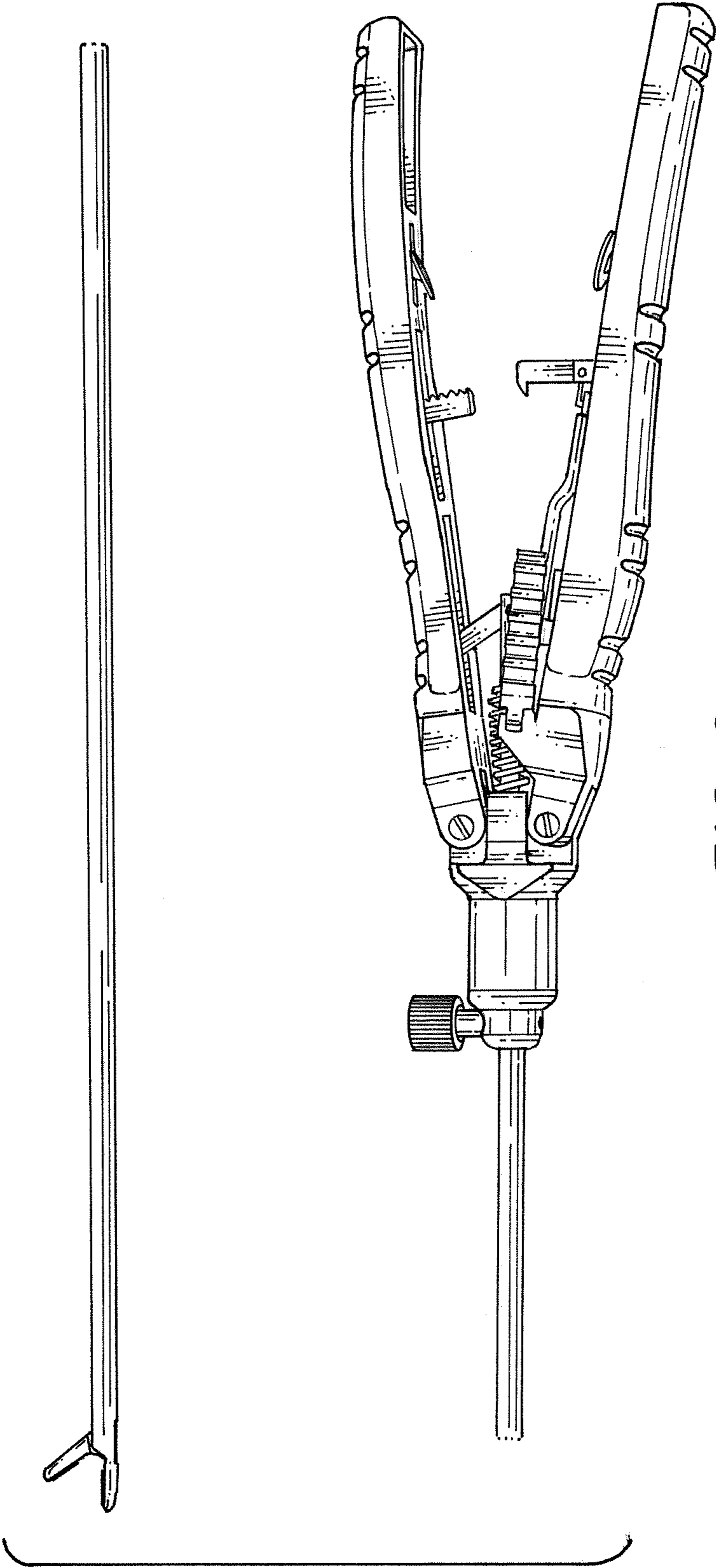


FIG. 2

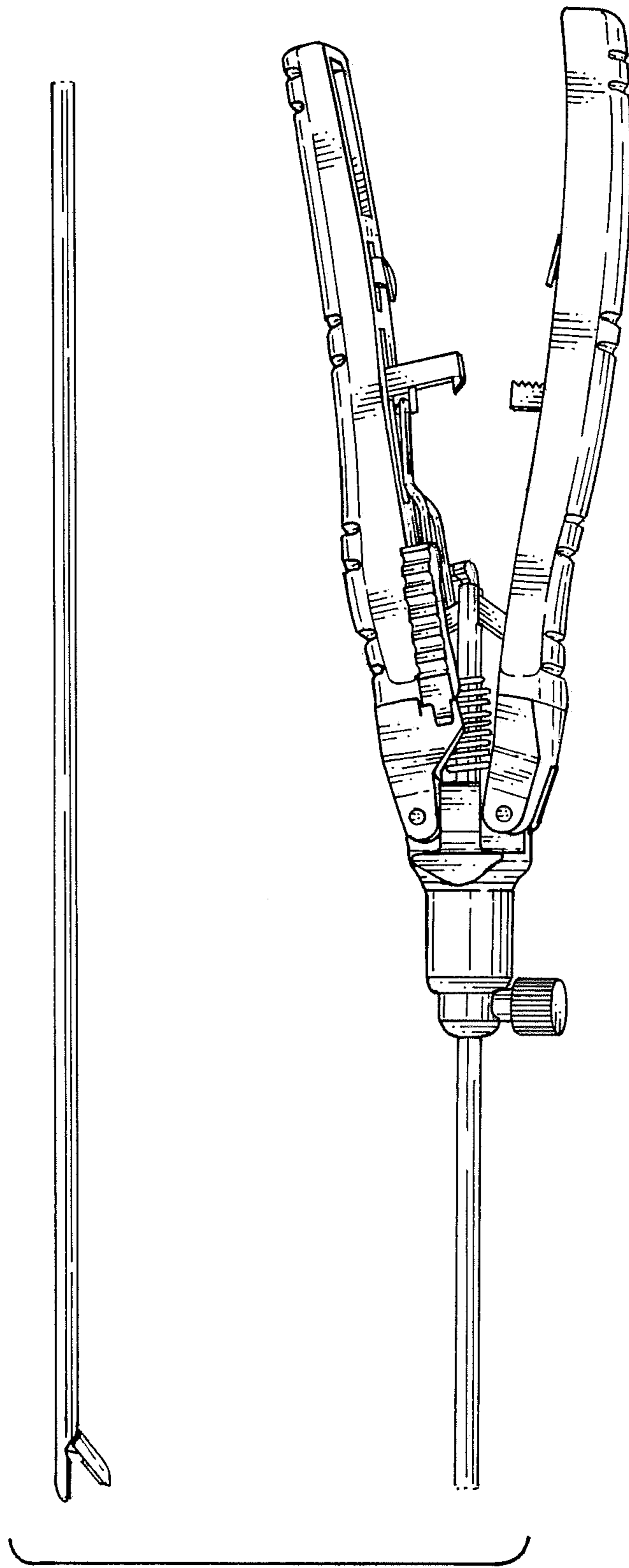


FIG. 3

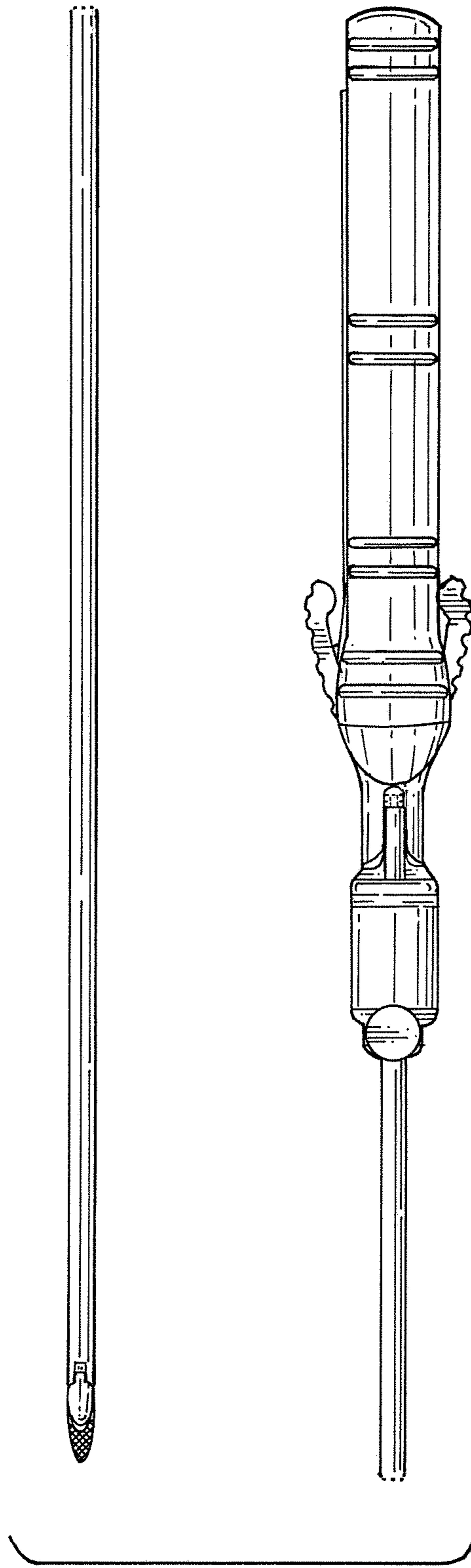
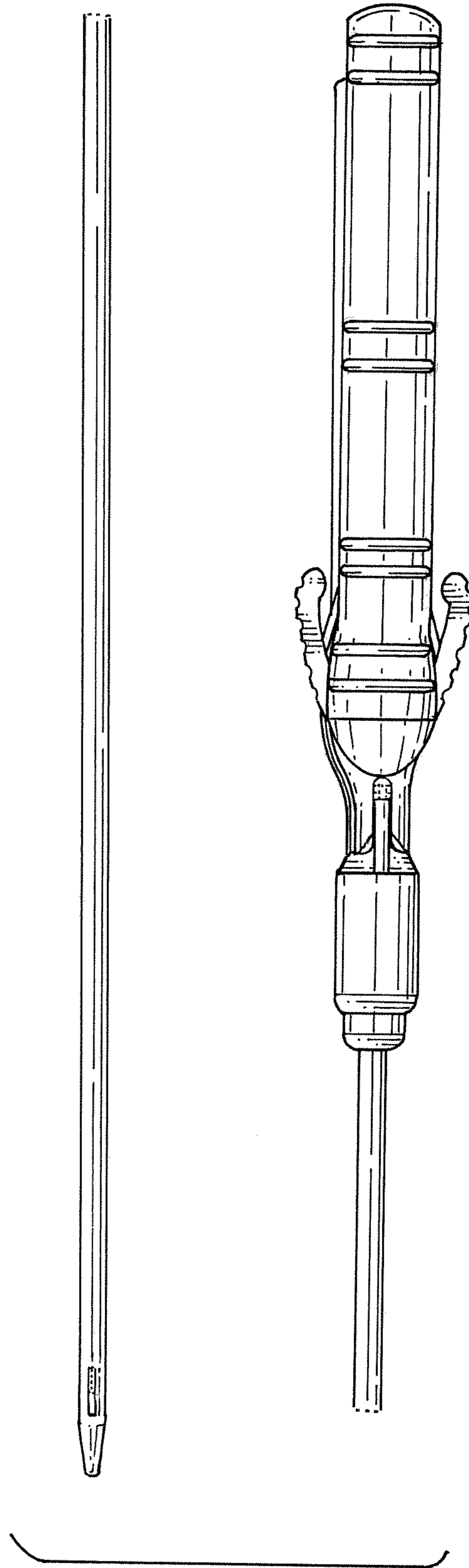
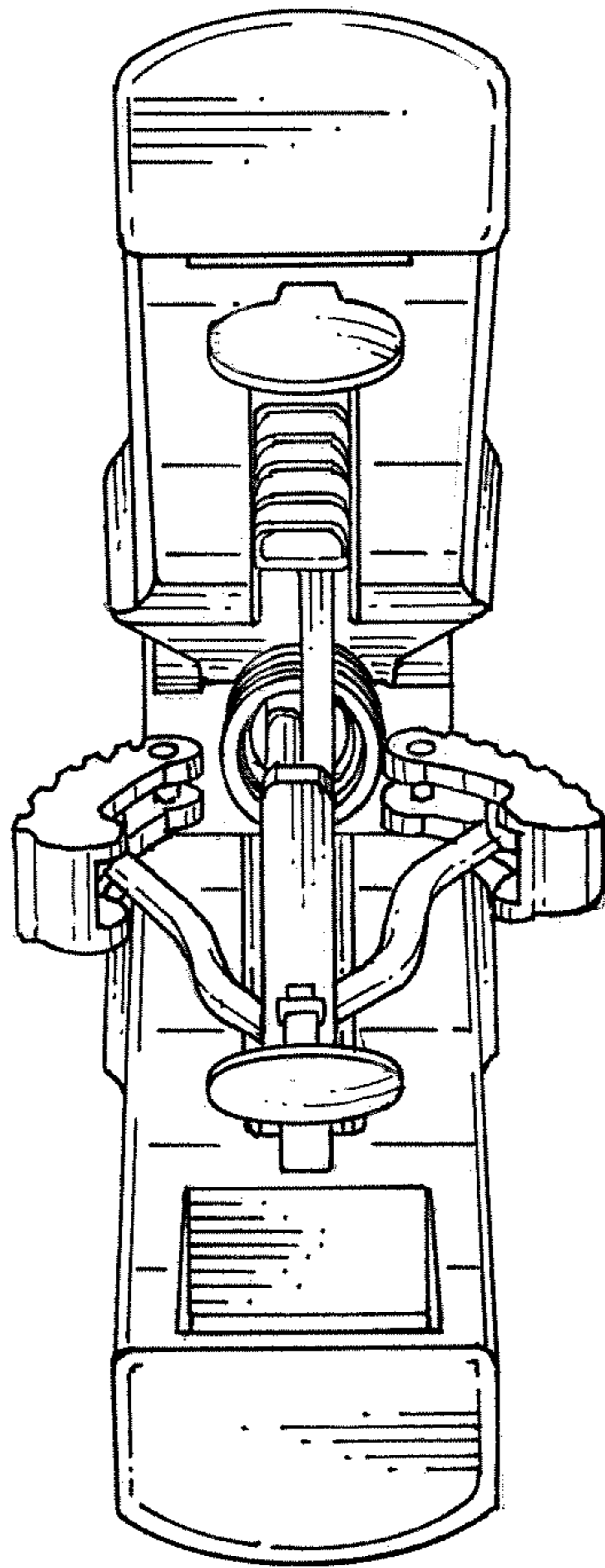


FIG. 4

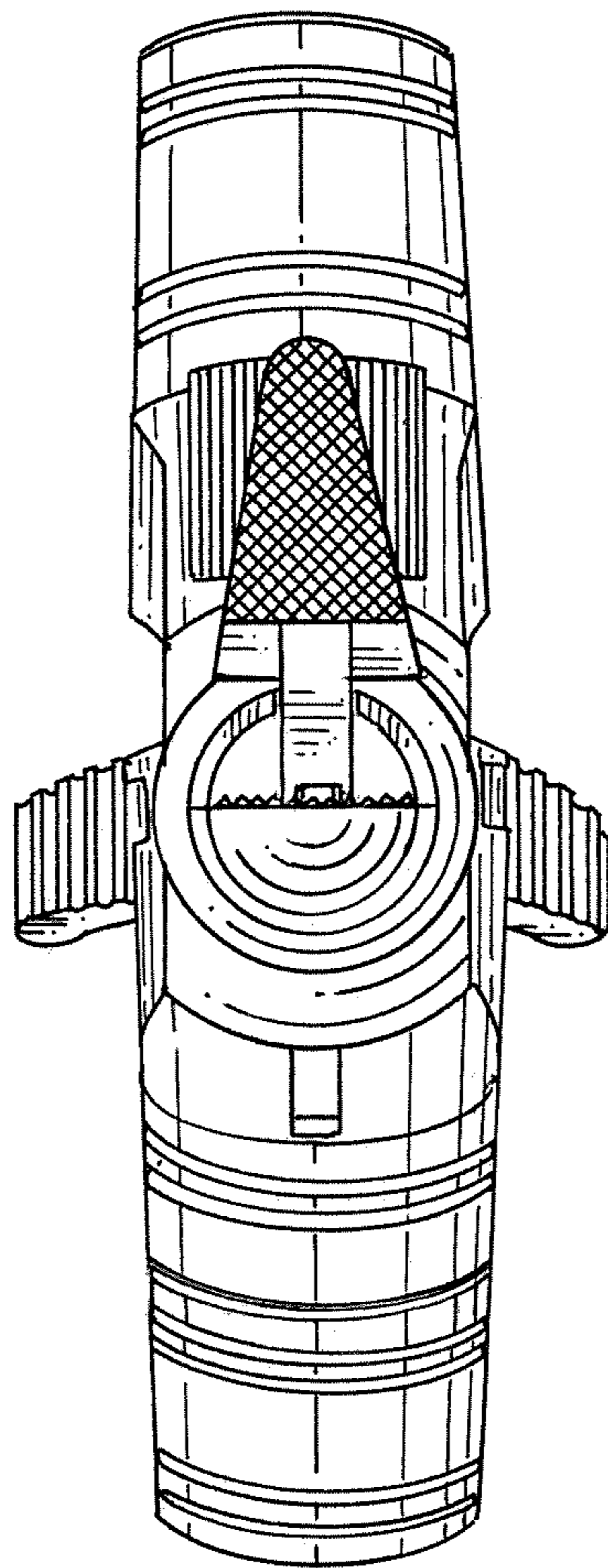


*FIG. 5*



*FIG. 6*





*FIG. 7*