



US00D775330S

(12) **United States Design Patent**  
**Blennow et al.**

(10) **Patent No.:** **US D775,330 S**

(45) **Date of Patent:** **\*\* Dec. 27, 2016**

(54) **GRADUATED CATHETER**

(71) Applicant: **CHIESI FARMACEUTICI S.P.A.**,  
Parma (IT)

(72) Inventors: **Mats Blennow**, Parma (IT); **Kajsa Bohlin**, Parma (IT); **Peter Anderson Dargaville**, Parma (IT); **Valentina Comito**, Parma (IT); **Linda Storari**, Parma (IT)

(73) Assignee: **CHIESI FARMACEUTICI S.P.A.**,  
Parma (PR) (IT)

(\*\*) Term: **15 Years**

(21) Appl. No.: **29/535,634**

(22) Filed: **Aug. 7, 2015**

(30) **Foreign Application Priority Data**

Feb. 13, 2015 (EM) ..... 002633362-0001

(51) **LOC (10) Cl.** ..... **24-99**

(52) **U.S. Cl.**  
USPC ..... **D24/130**

(58) **Field of Classification Search**  
USPC ..... D24/112-114, 127, 130, 133  
CPC ..... A61M 25/00; A61M 25/0021; A61M 25/0043; A61M 25/0097; A61M 2025/0008

See application file for complete search history.

(56) **References Cited**

**U.S. PATENT DOCUMENTS**

4,993,941 A 2/1991 Maita et al.  
5,167,647 A \* 12/1992 Wijkamp ..... A61M 25/0043  
604/532

D340,111 S \* 10/1993 Yoshikawa ..... D24/112  
D355,031 S \* 1/1995 Yoshikawa ..... D24/112  
6,283,950 B1 9/2001 Appling  
D496,728 S 9/2004 Holsinger  
D590,945 S 4/2009 Berberich et al.

(Continued)

**OTHER PUBLICATIONS**

Non-Final Office Action issued for Design U.S. Appl. No. 29/499,859, filed Aug. 19, 2014 in the name of Mats Blennow et al. Mail date: Jul. 15, 2015.

(Continued)

*Primary Examiner* — Ian Simmons

*Assistant Examiner* — Richelle G Shelton

(74) *Attorney, Agent, or Firm* — Steinfl & Bruno LLP

(57) **CLAIM**

The ornamental design for a graduated catheter, as shown and described.

**DESCRIPTION**

This design application is related to U.S. Design patent application Ser. No. 29/499,859 filed on Aug. 19, 2014.

FIG. 1 is a perspective view of a graduated catheter.

FIG. 2 is a right side view of the graduated catheter.

FIG. 3 is a top view of the graduated catheter.

FIG. 4 is a bottom view of the graduated catheter.

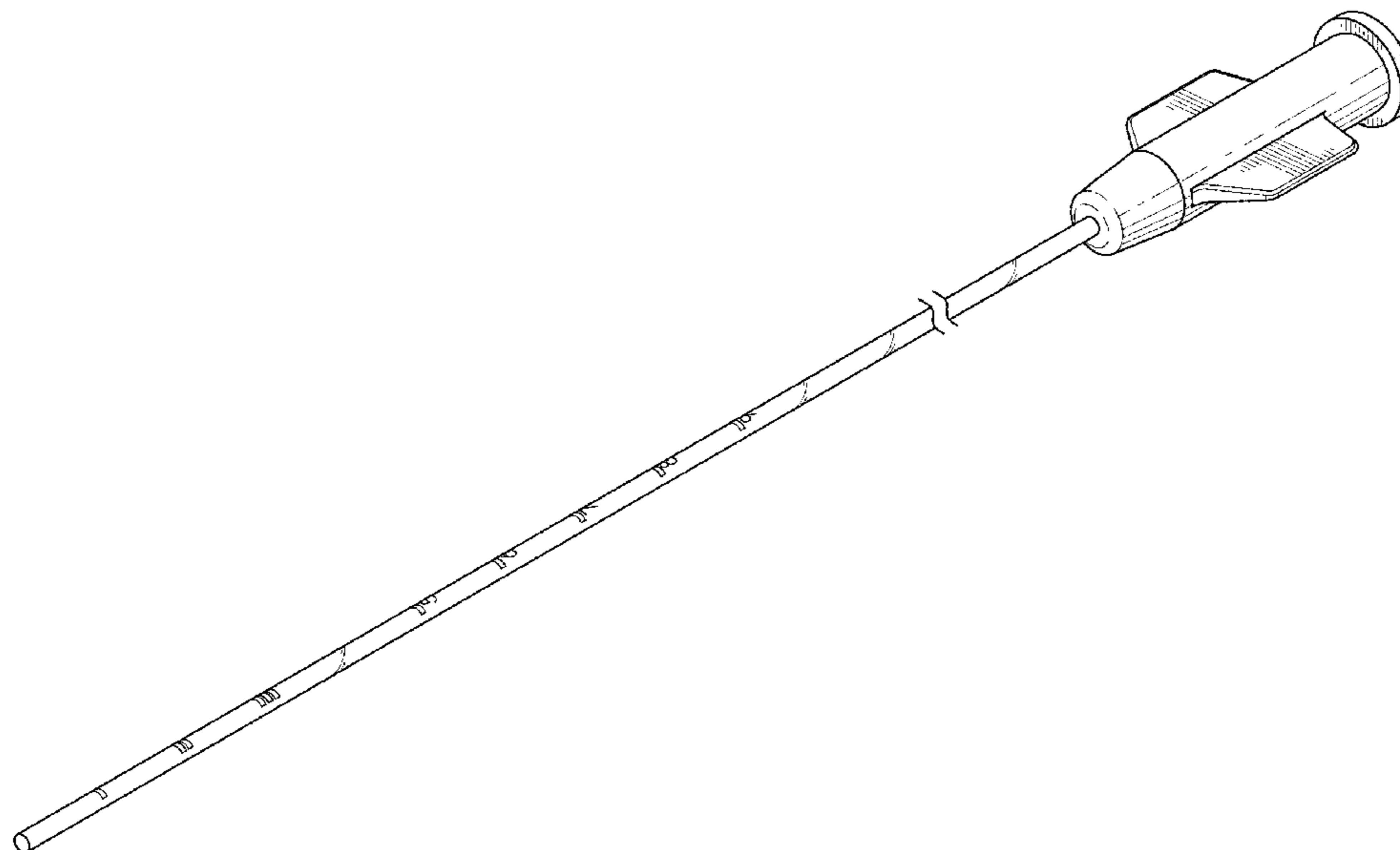
FIG. 5 is a left side view of the graduated catheter.

FIG. 6 is a front view of the graduated catheter; and,

FIG. 7 is a rear view of the graduated catheter.

The catheter is shown with a symbolic break in its length in FIGS. 1-5. The appearance of any portion of the article between the break lines forms no part of the claimed design.

**1 Claim, 3 Drawing Sheets**



(56)

**References Cited**

U.S. PATENT DOCUMENTS

D597,204 S 7/2009 Oberlaender et al.  
 7,594,911 B2 9/2009 Powers et al.  
 D620,107 S 7/2010 Bartlett et al.  
 D627,064 S 11/2010 Appelbaum et al.  
 D629,515 S 12/2010 Laurence  
 8,034,035 B2 10/2011 Weaver et al.  
 D699,837 S 2/2014 Ericsson  
 D700,318 S 2/2014 Amoah et al.  
 8,929,969 B2 1/2015 Gillis et al.  
 D752,215 S \* 3/2016 Blennow ..... D24/130  
 2002/0091372 A1 \* 7/2002 Cragg ..... A61M 25/00  
 604/528  
 2002/0128631 A1 \* 9/2002 Hayman ..... A61J 1/2096  
 604/525  
 2003/0093060 A1 \* 5/2003 Kempf ..... A61M 25/0043  
 604/527  
 2004/0147908 A1 \* 7/2004 Duffy ..... A61M 25/00  
 606/1  
 2005/0154297 A1 \* 7/2005 Gill ..... A61M 25/00  
 600/431

2007/0088230 A1 \* 4/2007 Terashi ..... A61B 17/3207  
 600/585  
 2008/0045928 A1 \* 2/2008 Simpson ..... B29C 66/73713  
 604/525  
 2009/0264866 A1 \* 10/2009 Powell ..... A61M 25/0097  
 604/533  
 2009/0306472 A1 \* 12/2009 Filipi ..... A61B 1/00135  
 600/104  
 2013/0172851 A1 \* 7/2013 Shimada ..... A61M 25/0053  
 604/508  
 2015/0265802 A1 \* 9/2015 Fukuoka ..... A61M 25/0021  
 604/508  
 2016/0038657 A1 \* 2/2016 Lareau ..... A61M 1/008  
 604/266  
 2016/0121081 A1 \* 5/2016 Iwano ..... A61M 25/0043  
 604/96.01  
 2016/0213887 A1 \* 7/2016 Jacovini ..... A61M 25/02

OTHER PUBLICATIONS

U.S. Appl. No. 29/499,859, filed Aug. 19, 2014, Mats Blennow et al., not published.

\* cited by examiner

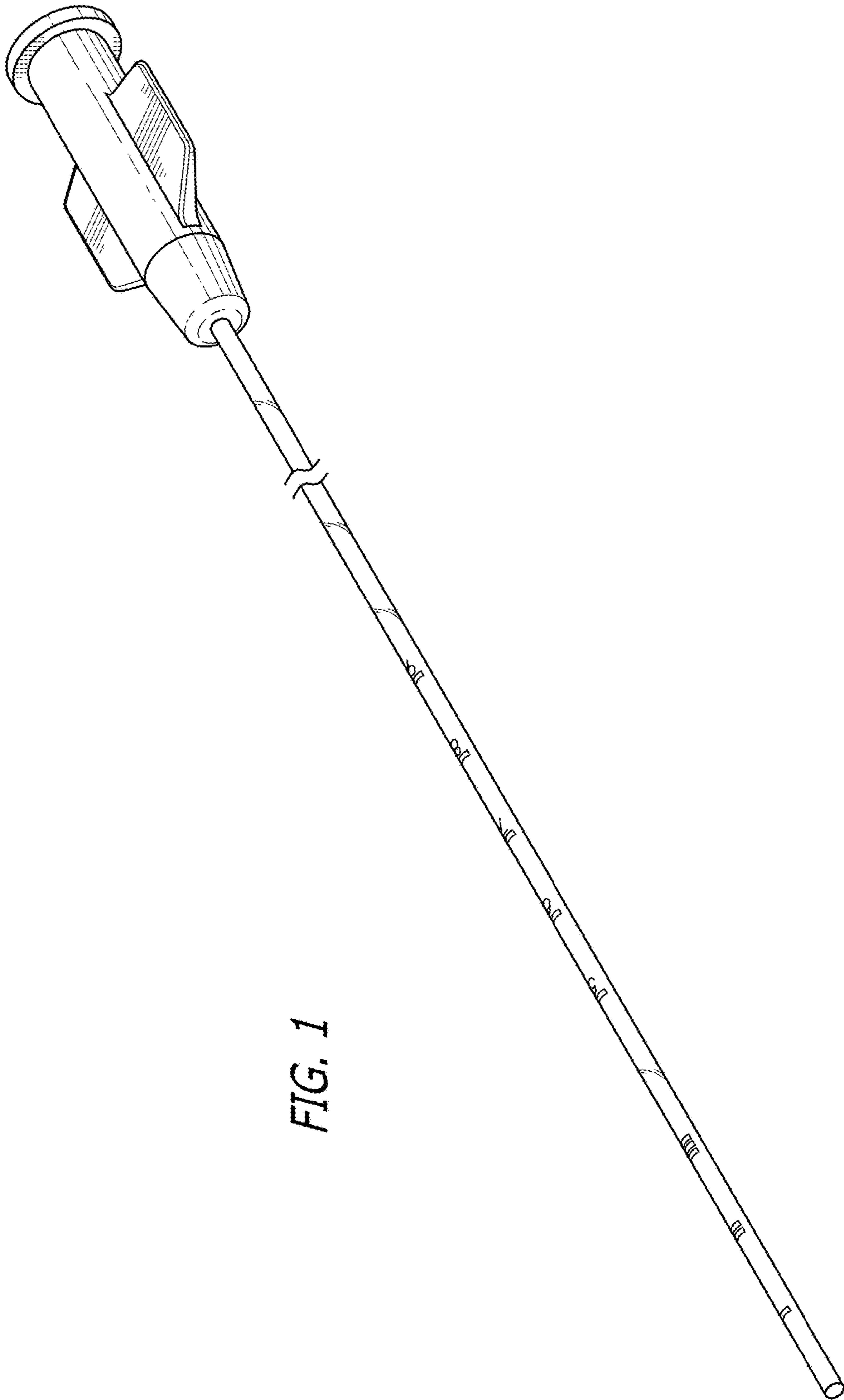


FIG. 1

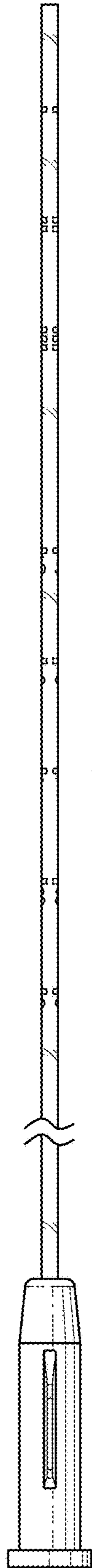


FIG. 2

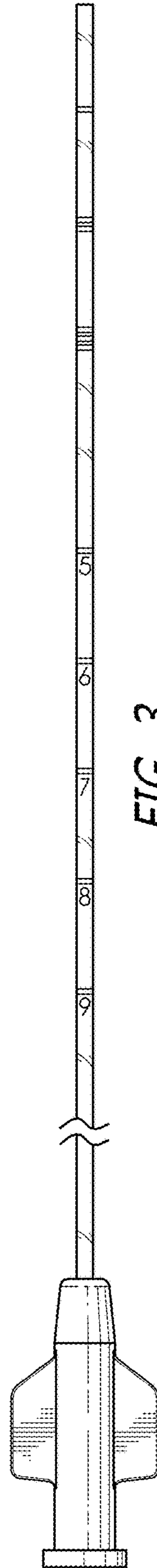


FIG. 3

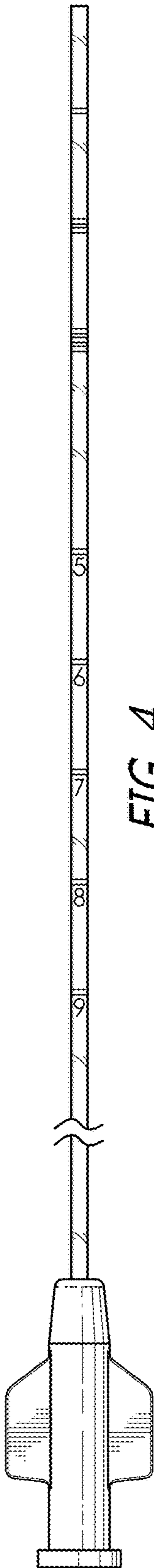


FIG. 4

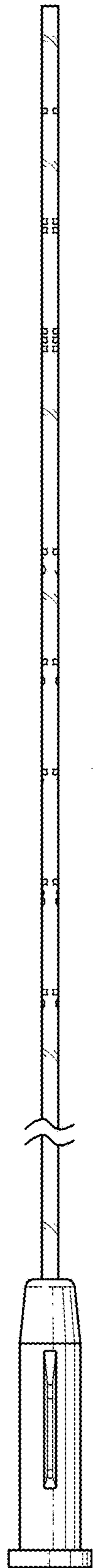


FIG. 5

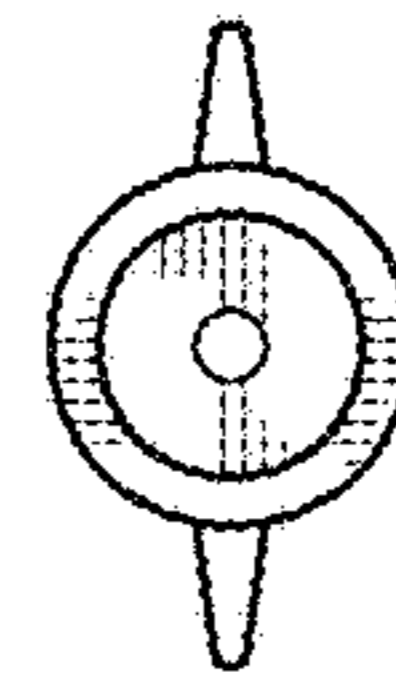


FIG. 6

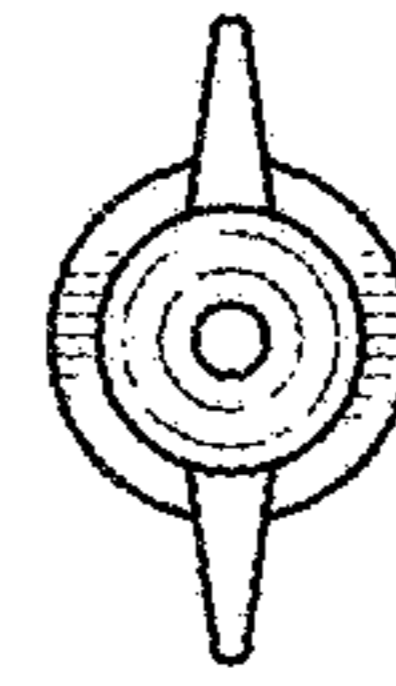


FIG. 7