



US00D775329S

(12) **United States Design Patent** (10) **Patent No.:** **US D775,329 S**
Kawamura (45) **Date of Patent:** **** Dec. 27, 2016**

(54) **SYRINGE BARREL WITH A SYRINGE NEEDLE**

(71) Applicant: **DAIKYO SEIKO, LTD.**, Tokyo (JP)

(72) Inventor: **Hideaki Kawamura**, Tokyo (JP)

(73) Assignee: **DAIKYO SEIKO, LTD.**, Tokyo (JP)

(**) Term: **14 Years**

(21) Appl. No.: **29/525,091**

(22) Filed: **Apr. 27, 2015**

(30) **Foreign Application Priority Data**

Nov. 6, 2014 (JP) 2014-024696

(51) **LOC (10) Cl.** **24-02**

(52) **U.S. Cl.**
USPC **D24/130**

(58) **Field of Classification Search**
USPC D24/127-131, 112-114, 133, 186; 606/181, 606/185; 604/264, 523-528, 272, 187, 604/158, 164.01-164.11, 181, 184, 227; 600/101, 139, 143; 128/200.24, 207.14, 128/207.15

(Continued)

(56) **References Cited**

U.S. PATENT DOCUMENTS

6,164,044 A * 12/2000 Porfano B65B 55/10
422/28

D479,270 S * 9/2003 Strong D19/200
(Continued)

OTHER PUBLICATIONS

Submission of Certificate as to Exceptions of Lack of Novelty for Japanese Design Patent App. No. 2014-024696 submitted on Nov. 27, 2014 and English translation thereof.

Primary Examiner — David Muller

(74) *Attorney, Agent, or Firm* — Cermak, Nakajima & McGowan LLP; Tomoko Nakajima

(57) **CLAIM**

The ornamental design for a syringe barrel with a syringe needle, as shown and described.

DESCRIPTION

FIG. 1 is a front elevational view of a syringe barrel with a syringe needle showing my new design, wherein the syringe barrel is made of transparent material;

FIG. 2 is a rear elevational view thereof;

FIG. 3 is a top plan view thereof; a bottom plan view thereof being a mirror image

FIG. 4 is a right side view thereof;

FIG. 5 is a left side view thereof; and

FIG. 6 is a front perspective view thereof

FIG. 7 is an enlarged left side view thereof;

FIG. 8 is a cross sectional view thereof taken along the line 8-8 in FIG. 1.

FIG. 9 is a cross sectional view thereof taken along the line 9-9 in FIG. 5.

FIG. 10 is an enlarged cross sectional view thereof taken along the line 10-10 in FIG. 1;

FIG. 11 is an enlarged front perspective view thereof taken along the line 11-11 in FIG. 6;

FIG. 12 is an enlarged cross sectional view thereof taken along the line 12-12 in FIG. 8;

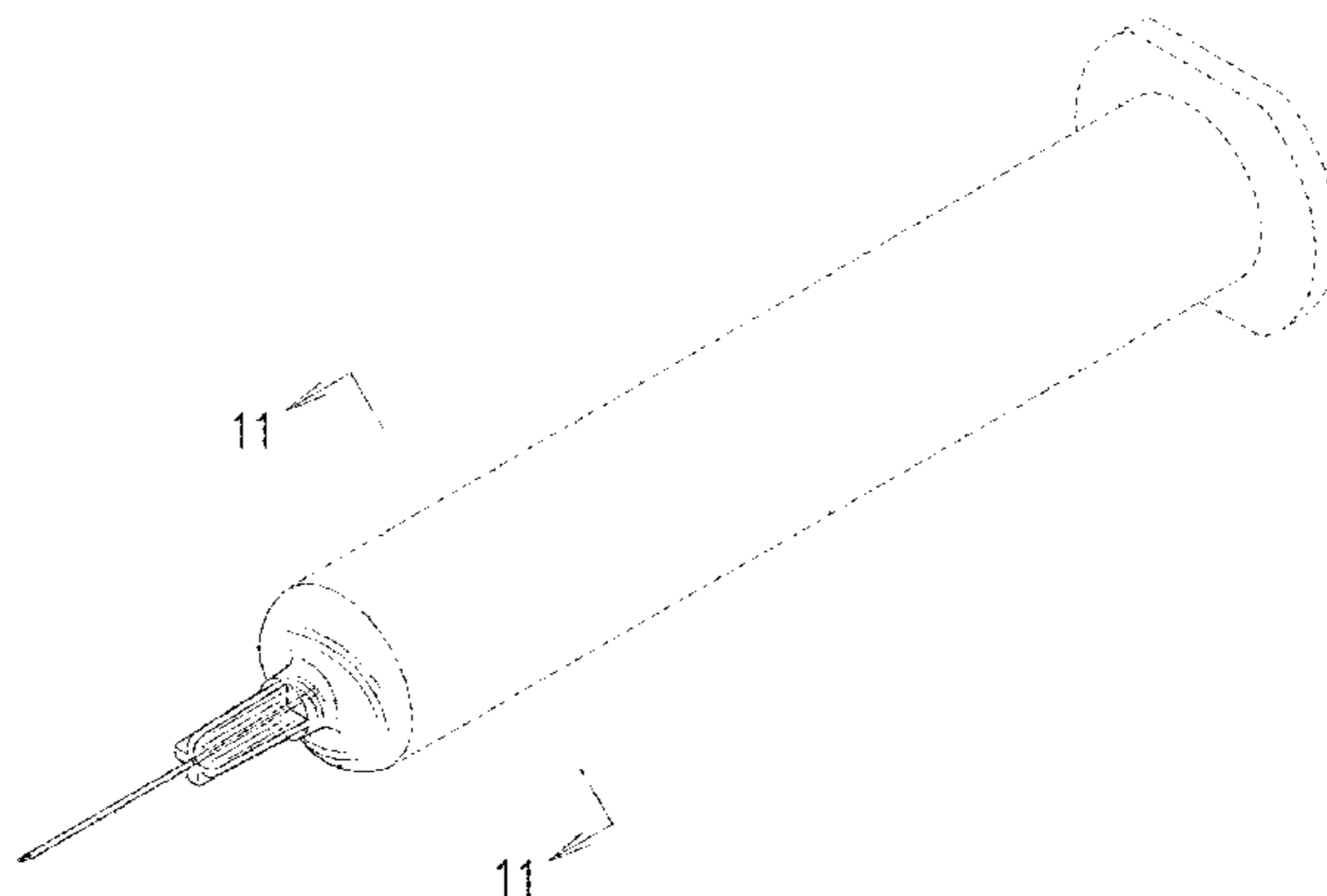
FIG. 13 is an enlarged cross sectional view thereof taken along the line 13-13 in FIG. 9;

FIG. 14 is a referential enlarged cross sectional view thereof taken along the line 12-12 in FIG. 8 wherein a cap is on the syringe barrel; and,

FIG. 15 is an enlarged view of FIG. 4.

The dash dot lines immediately adjacent to the claimed areas in the views represent the boundaries of the claimed design. The dashed lines in the figures illustrate the portions of the design that form no part of the claimed design. None of the broken lines form any part of the claimed design.

1 Claim, 15 Drawing Sheets



(58) **Field of Classification Search**

CPC A61M 5/178; A61M 3/00; A61M 5/31;
A61M 5/3129

See application file for complete search history.

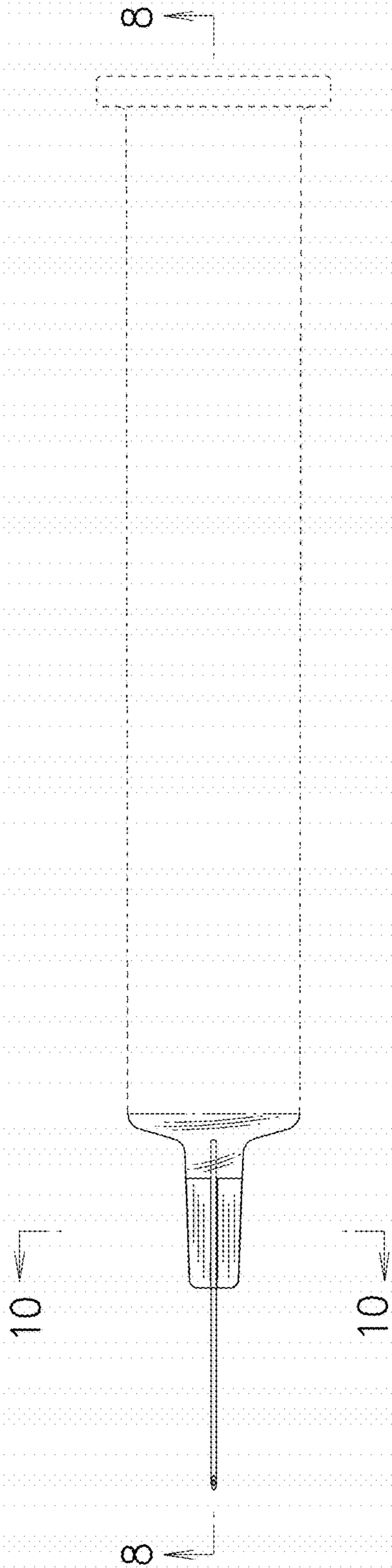
(56) **References Cited**

U.S. PATENT DOCUMENTS

6,921,382 B2 * 7/2005 Lee A61M 5/322
604/110
7,717,881 B2 * 5/2010 Caizza A61M 5/3216
604/164.07
D687,548 S * 8/2013 Hayashi D24/130
D693,002 S * 11/2013 Lundquist D24/130
D698,020 S * 1/2014 Takemoto D24/130
D712,028 S * 8/2014 Takemoto D24/130
D713,030 S * 9/2014 Takemoto D24/130
9,089,671 B2 * 7/2015 Stout A61M 25/0097
9,155,863 B2 * 10/2015 Isaacson A61M 25/0097
D752,214 S * 3/2016 Limaye D24/130
2010/0152678 A1 * 6/2010 Jakob A61M 5/32
604/240

* cited by examiner

FIG. 1



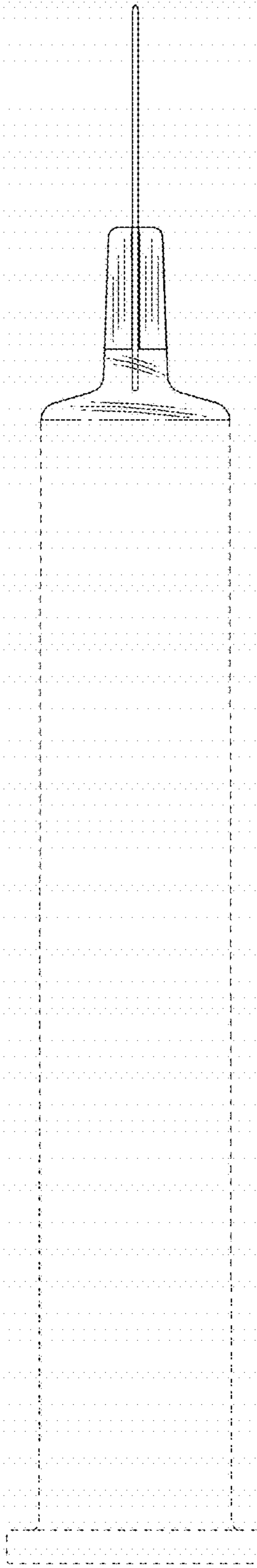


FIG. 2

FIG. 3

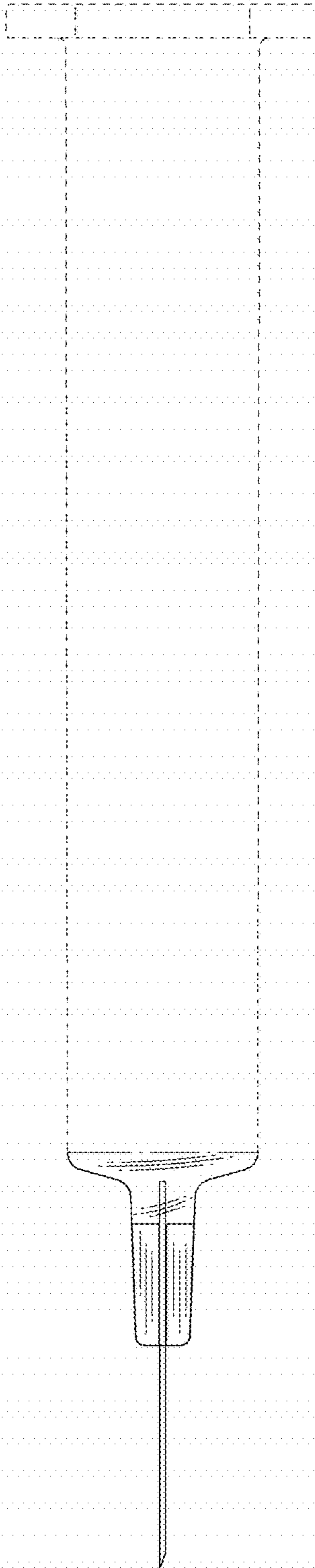
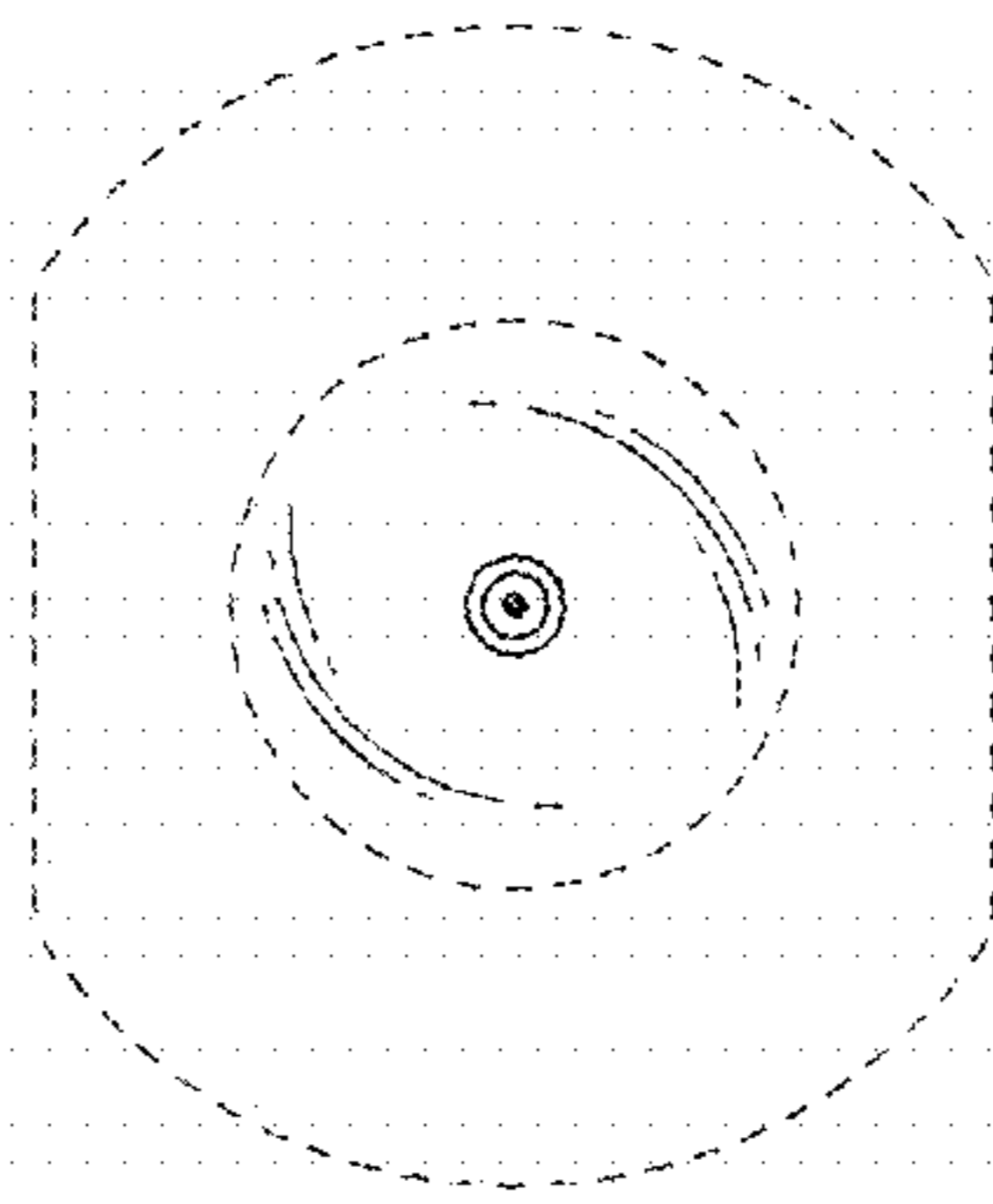


FIG. 4



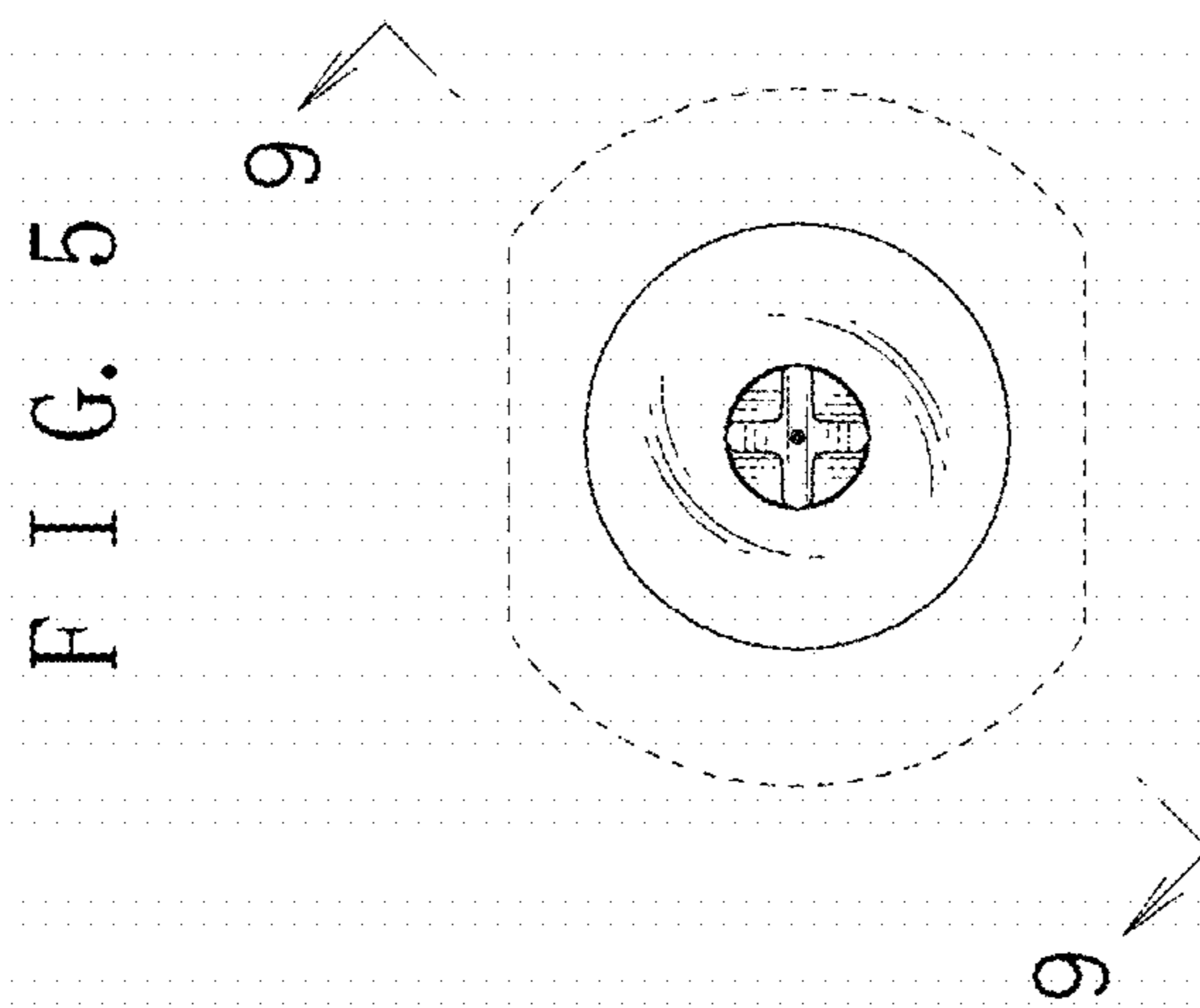


FIG. 6

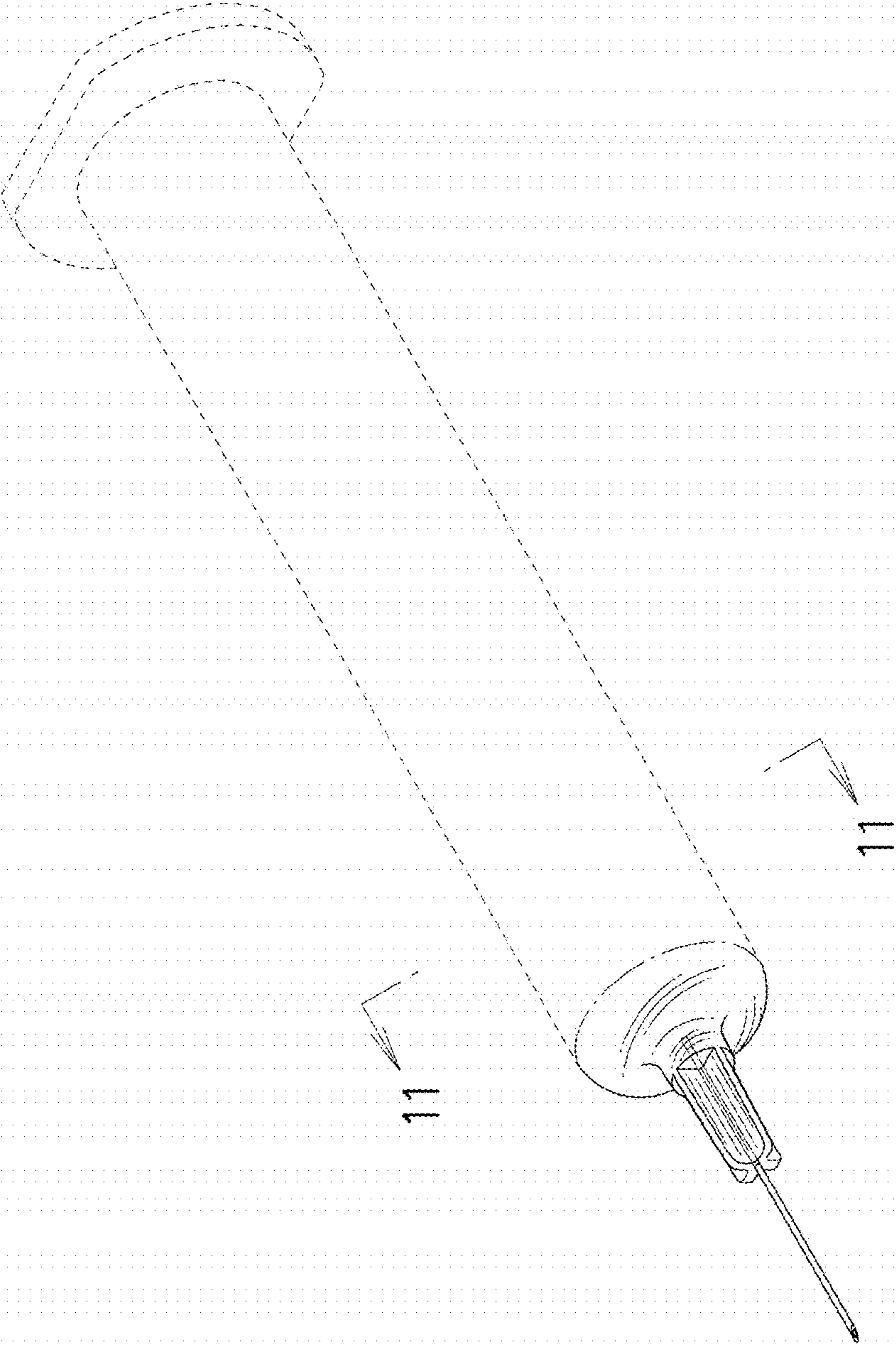


FIG. 7

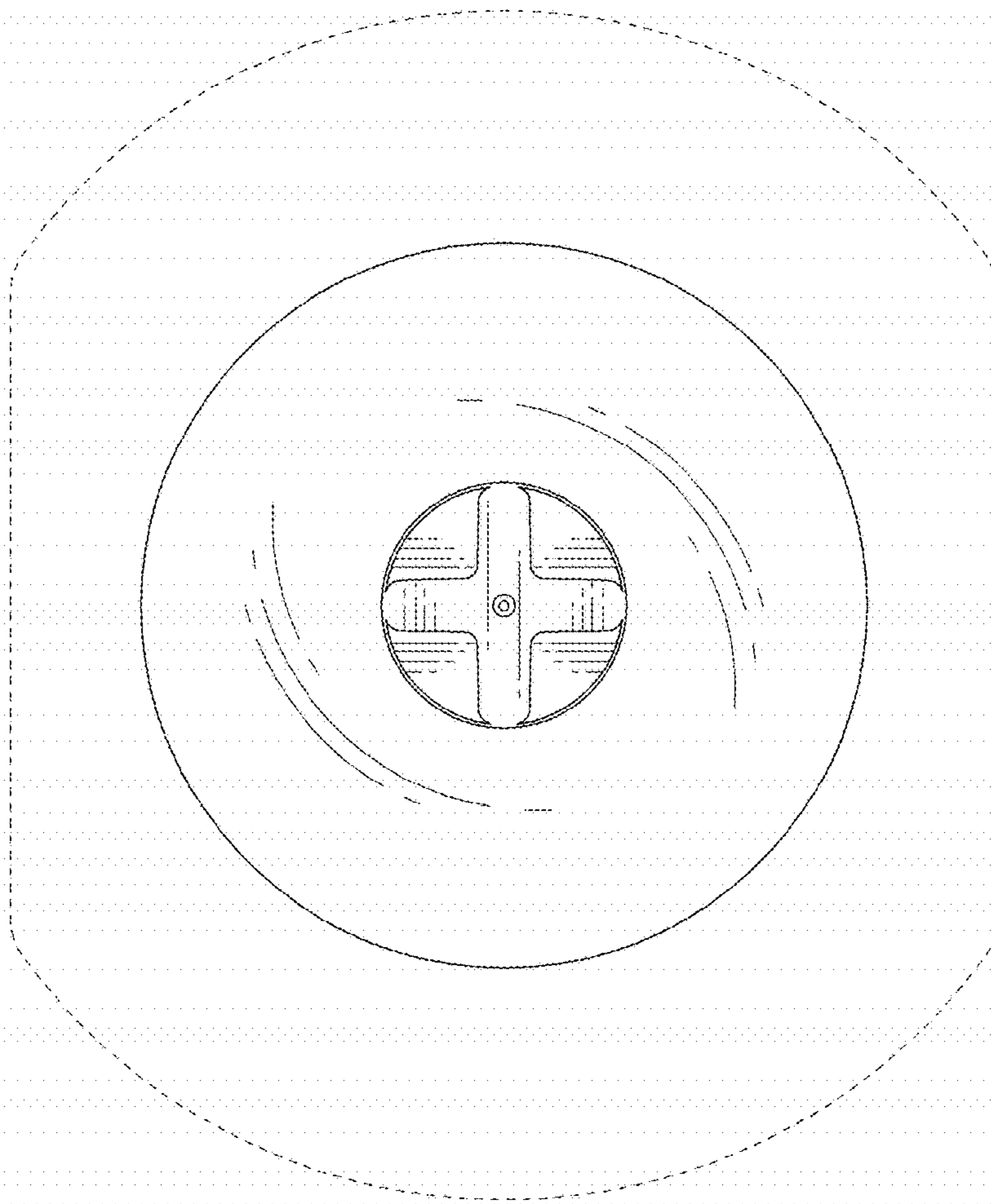


FIG. 8

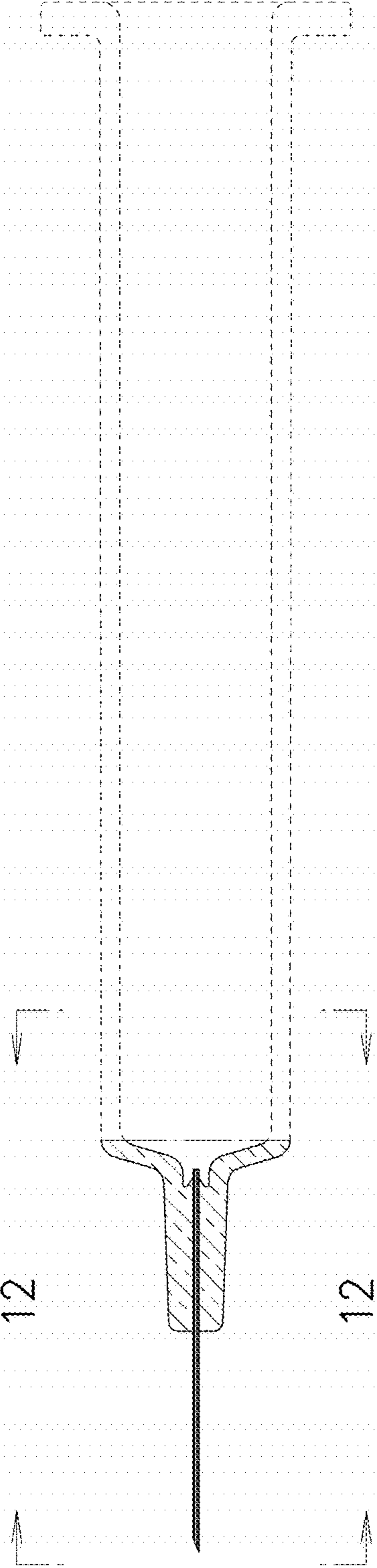


FIG. 9

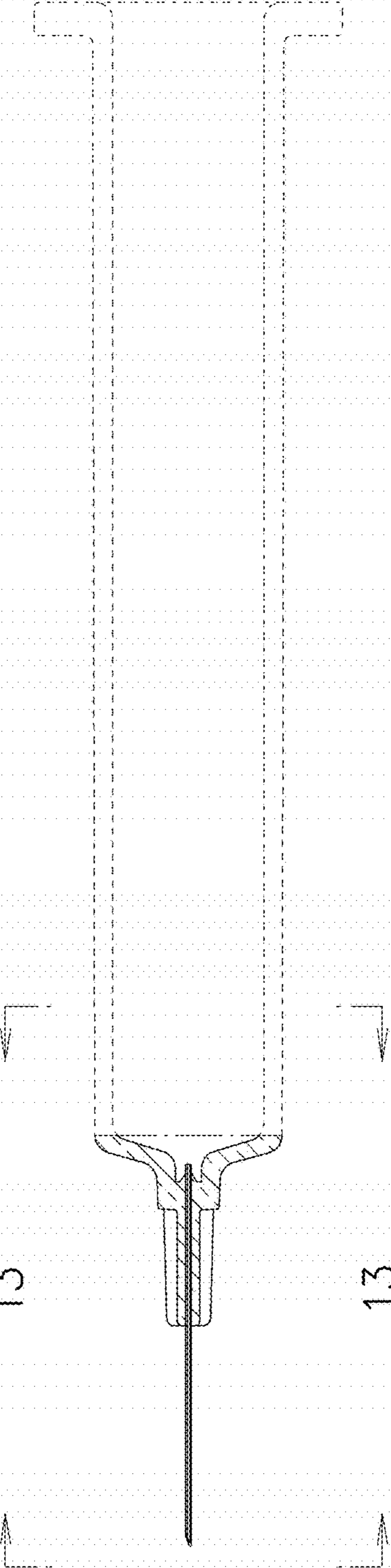
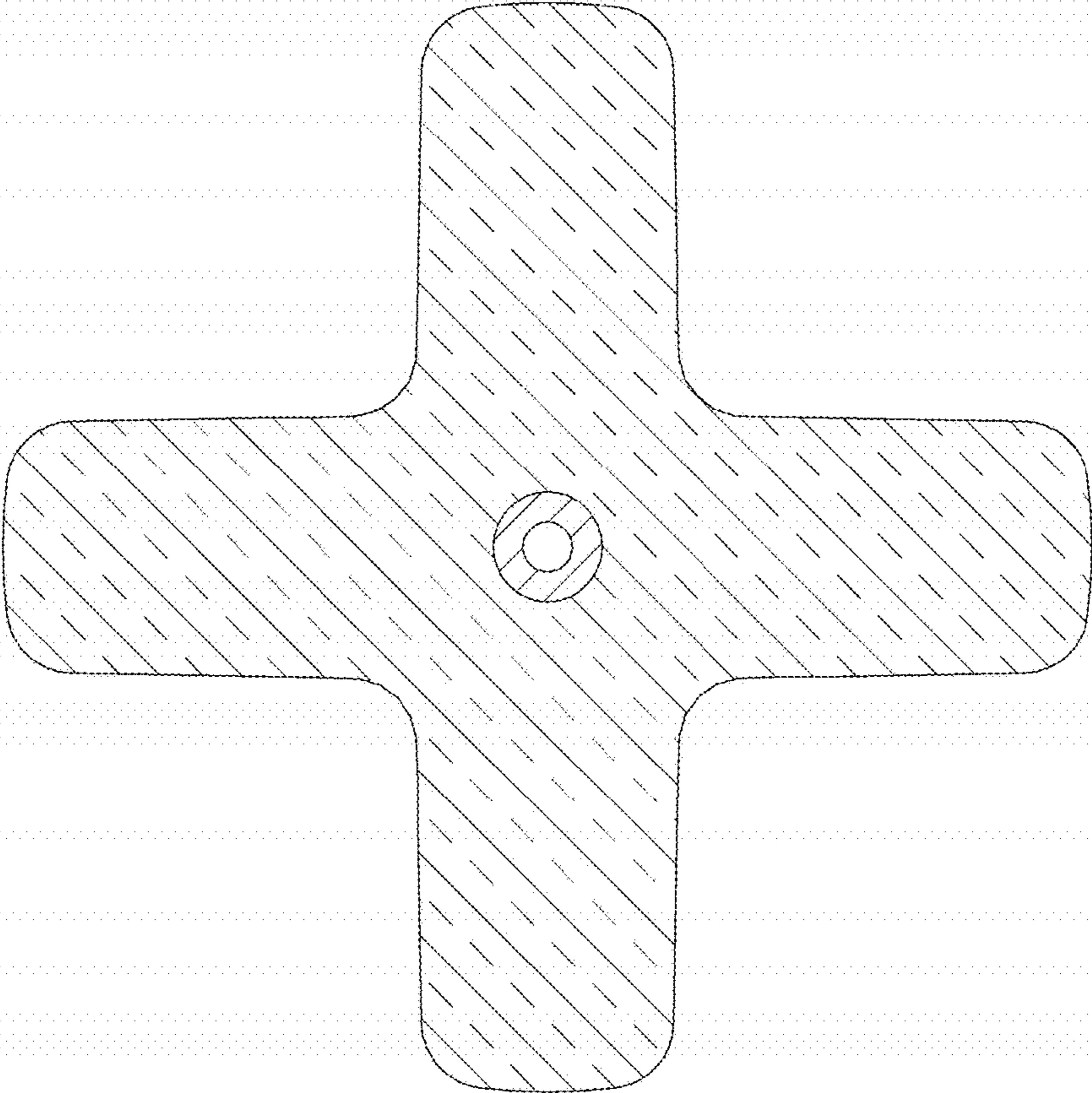


FIG. 10



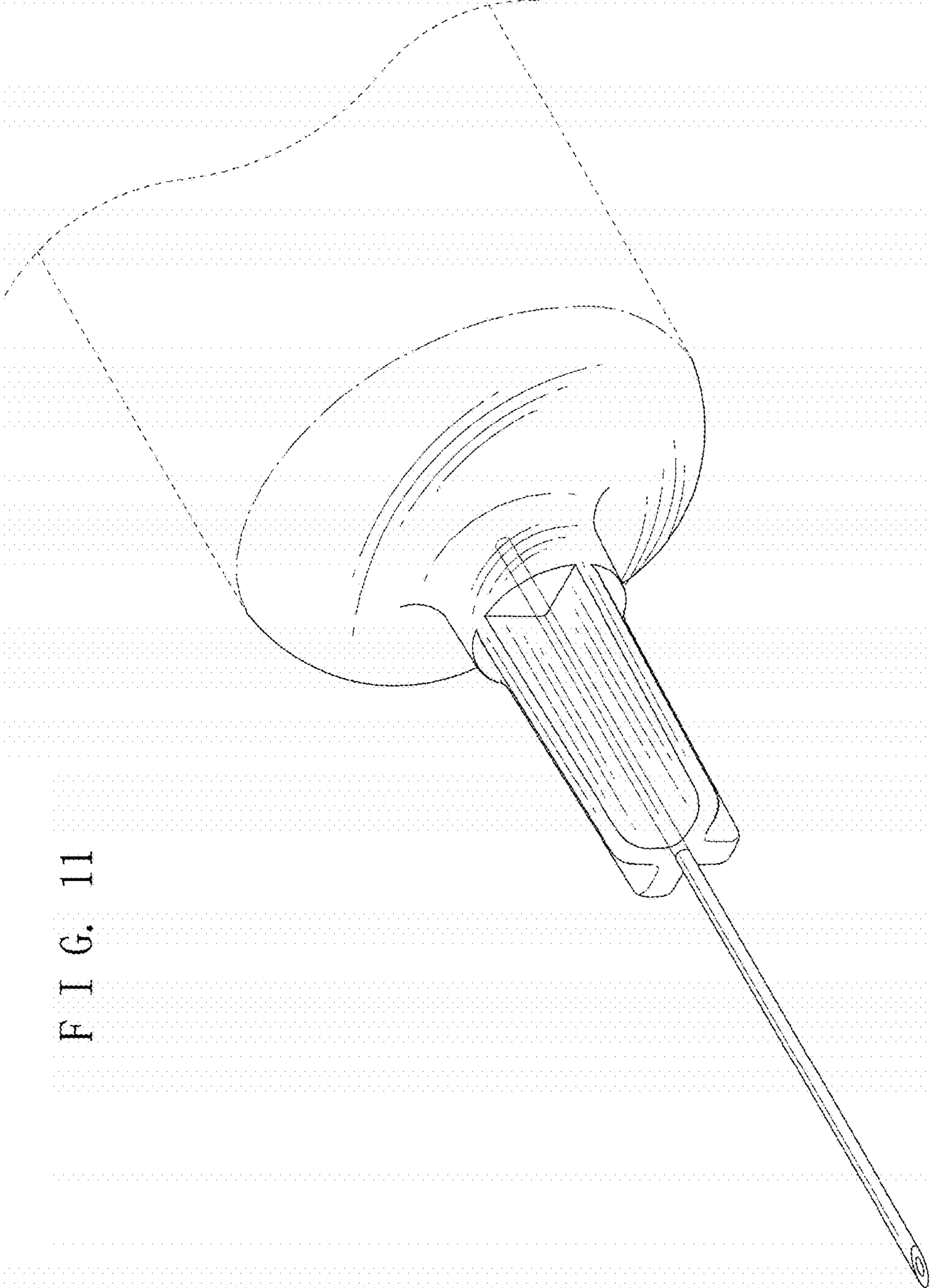


FIG. 11

FIG. 12

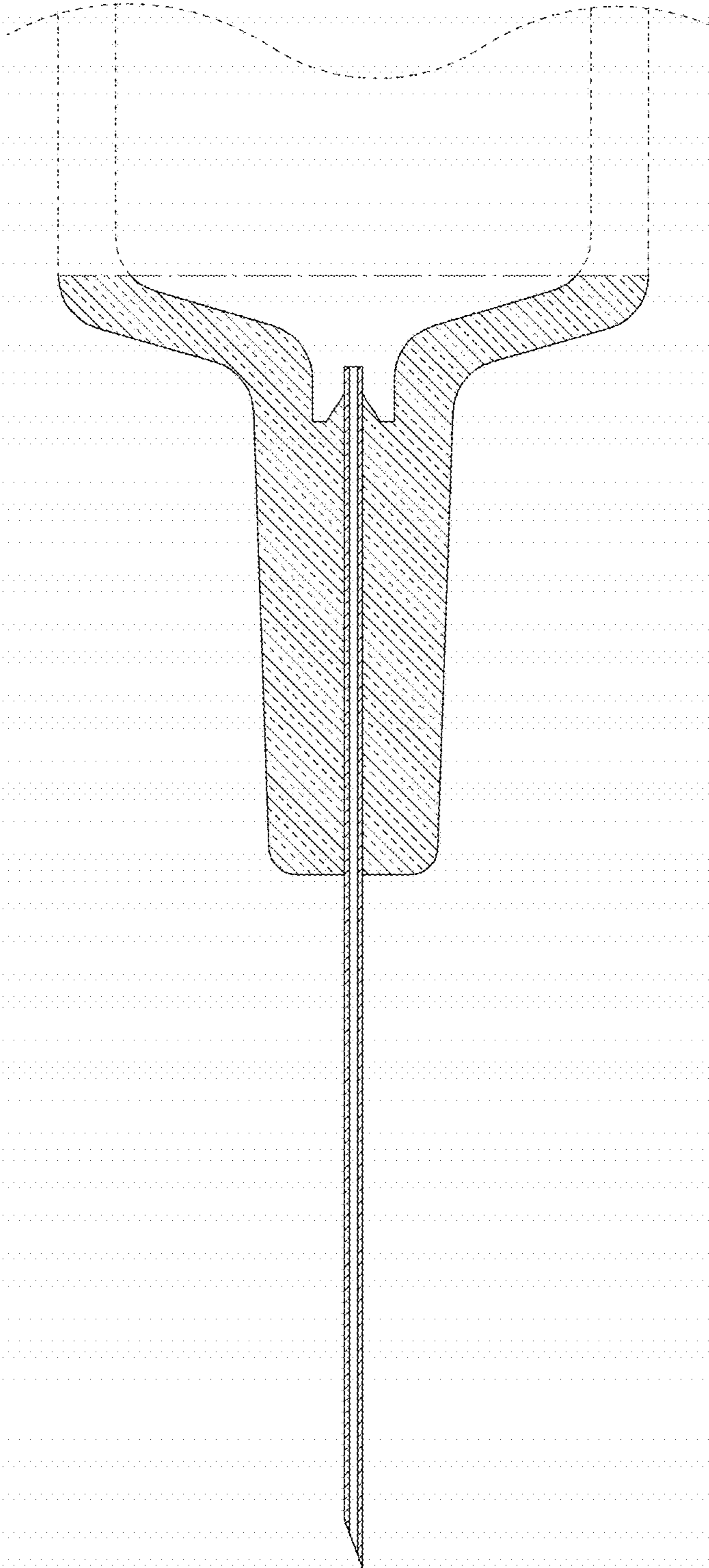


FIG. 13

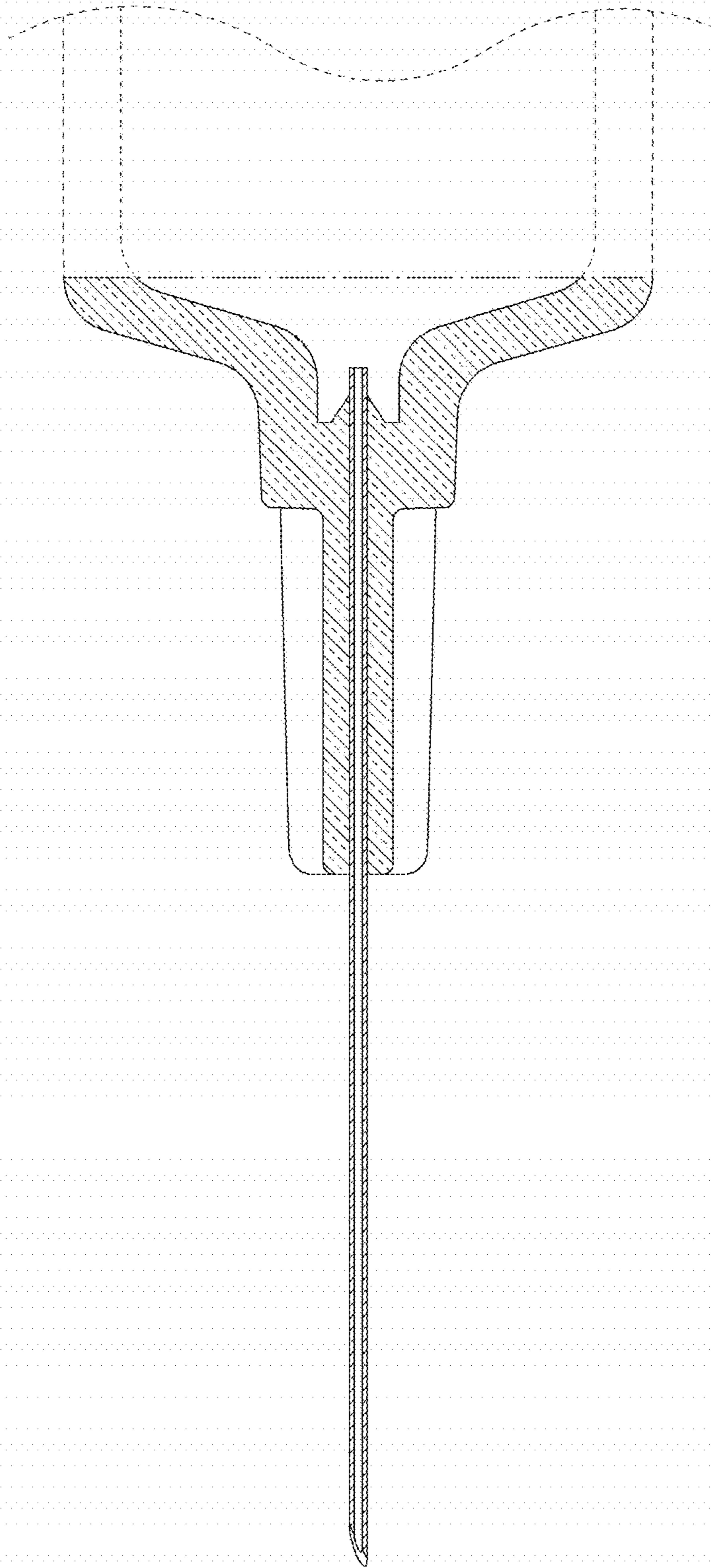
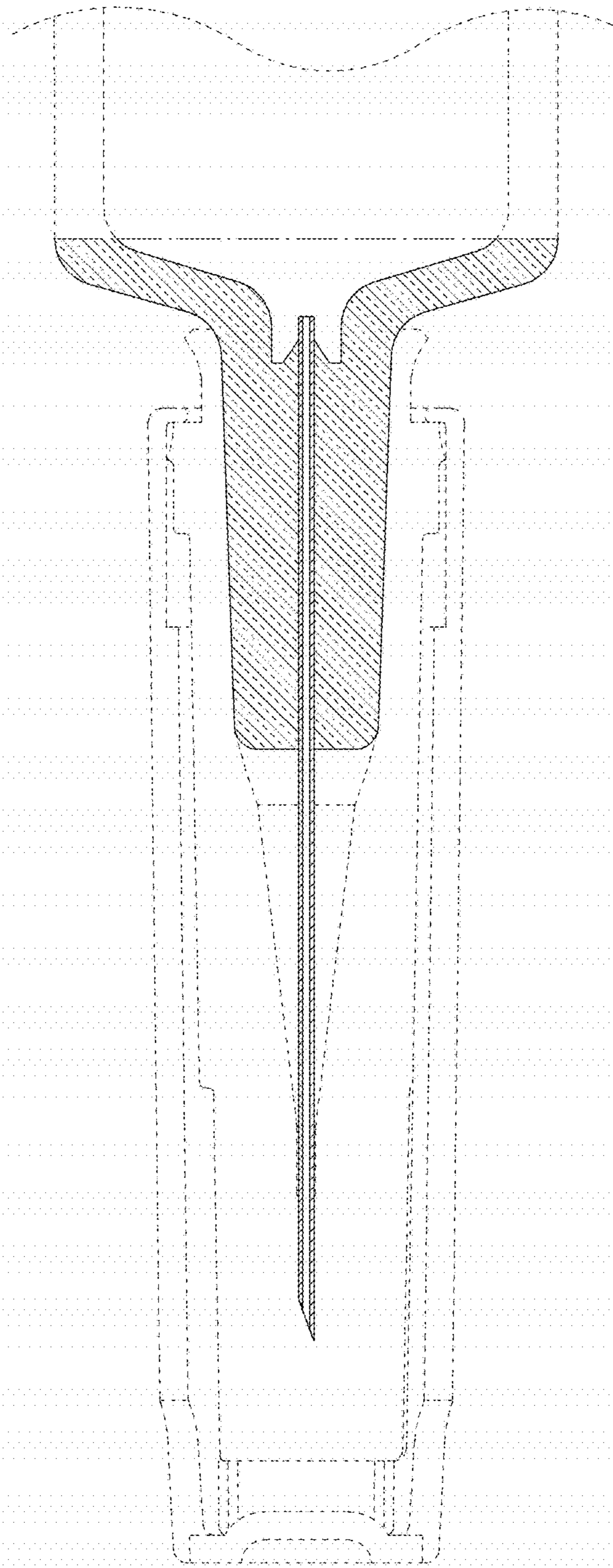


FIG. 14



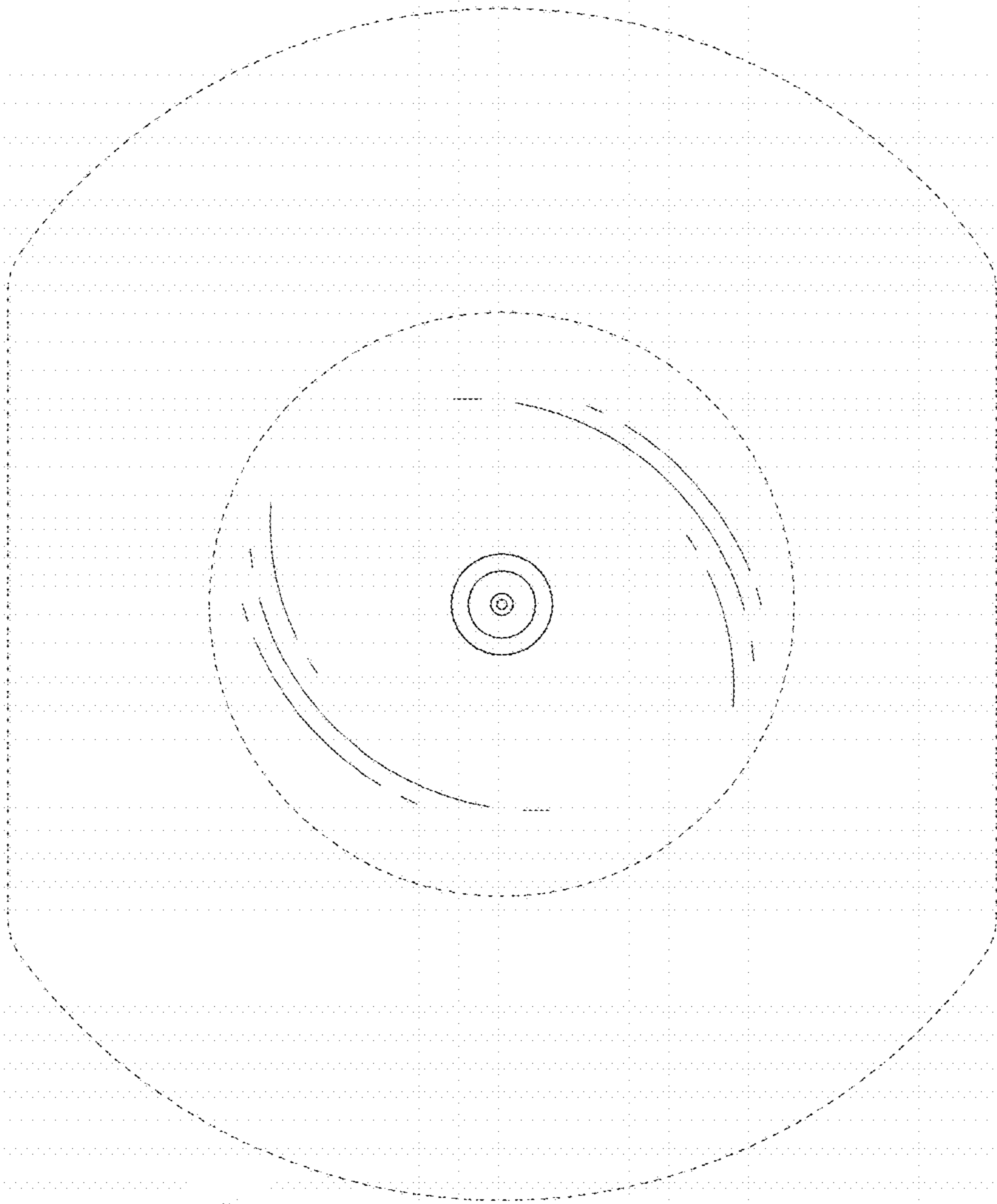


FIG. 15