

US00D775328S

(12) **United States Design Patent** (10) **Patent No.:** **US D775,328 S**
Bureau et al. (45) **Date of Patent:** **** Dec. 27, 2016**

(54) **NEEDLE PROTECTOR SUPPORT** 4,981,086 A * 1/1991 Barca B01L 99/00
109/49.5
(71) Applicants: **Patrick Bureau**, Saint-Georges (CA); 4,981,476 A 1/1991 Aichlmayr et al.
Francois Cauchon, Saint-Georges 5,035,703 A 7/1991 Baskas
(CA); **Francois Morin**, Quebec (CA) D321,559 S * 11/1991 Kienholz D24/111
5,078,695 A 1/1992 Farrar, Jr. et al.
(Continued)

(72) Inventors: **Patrick Bureau**, Saint-Georges (CA);
Francois Cauchon, Saint-Georges
(CA); **Francois Morin**, Quebec (CA)

(73) Assignee: **BCE PHARMA INC.**, Saint-Georges
(CA)

(**) Term: **14 Years**

(21) Appl. No.: **29/475,234**

(22) Filed: **Dec. 2, 2013**

(51) **LOC (10) Cl.** **24-01**

(52) **U.S. Cl.**
USPC **D24/128**

(58) **Field of Classification Search**
USPC D24/128, 130, 112, 185, 216-232, 127;
D3/203.1-203.8, 304; D6/406.1-406.3,
D6/406.6; D9/341, 345, 347, 348, 415,
D9/418-430, 732, 58, 99, 102; 604/110,
604/197-199, 263, 192; 422/104, 297,
422/400, 560-564, 509, 942; 206/526,
206/528, 531, 534-539; 211/85.13,
211/126.14, 174
CPC A61B 19/0256; A61B 19/0288; A61B
2019/0259; A61M 5/008; A61M 5/321
See application file for complete search history.

(56) **References Cited**

U.S. PATENT DOCUMENTS

2,313,905 A 3/1943 Wallin
3,532,310 A 10/1970 Finfrock
D284,306 S * 6/1986 Moore, Jr. D24/130
4,606,735 A * 8/1986 Wilder A61M 25/02
128/DIG. 26
D288,483 S * 2/1987 Mora D24/230
D293,469 S * 12/1987 Greenblatt D24/229
4,915,698 A 4/1990 Levenson

FOREIGN PATENT DOCUMENTS

DE 9007166 U1 2/1991
GB 2198644 6/1988

OTHER PUBLICATIONS

Spectrum Chromatography, Syringe Guard Space Station, Retrieved
Nov. 22, 2013 at : <http://www.lplc.com/syringes/standbig.html>.

(Continued)

Primary Examiner — David Muller
Assistant Examiner — Nathan Johnston
(74) *Attorney, Agent, or Firm* — Norton Rose Fulbright
Canada LLP; Alexandre Daoust

(57) **CLAIM**

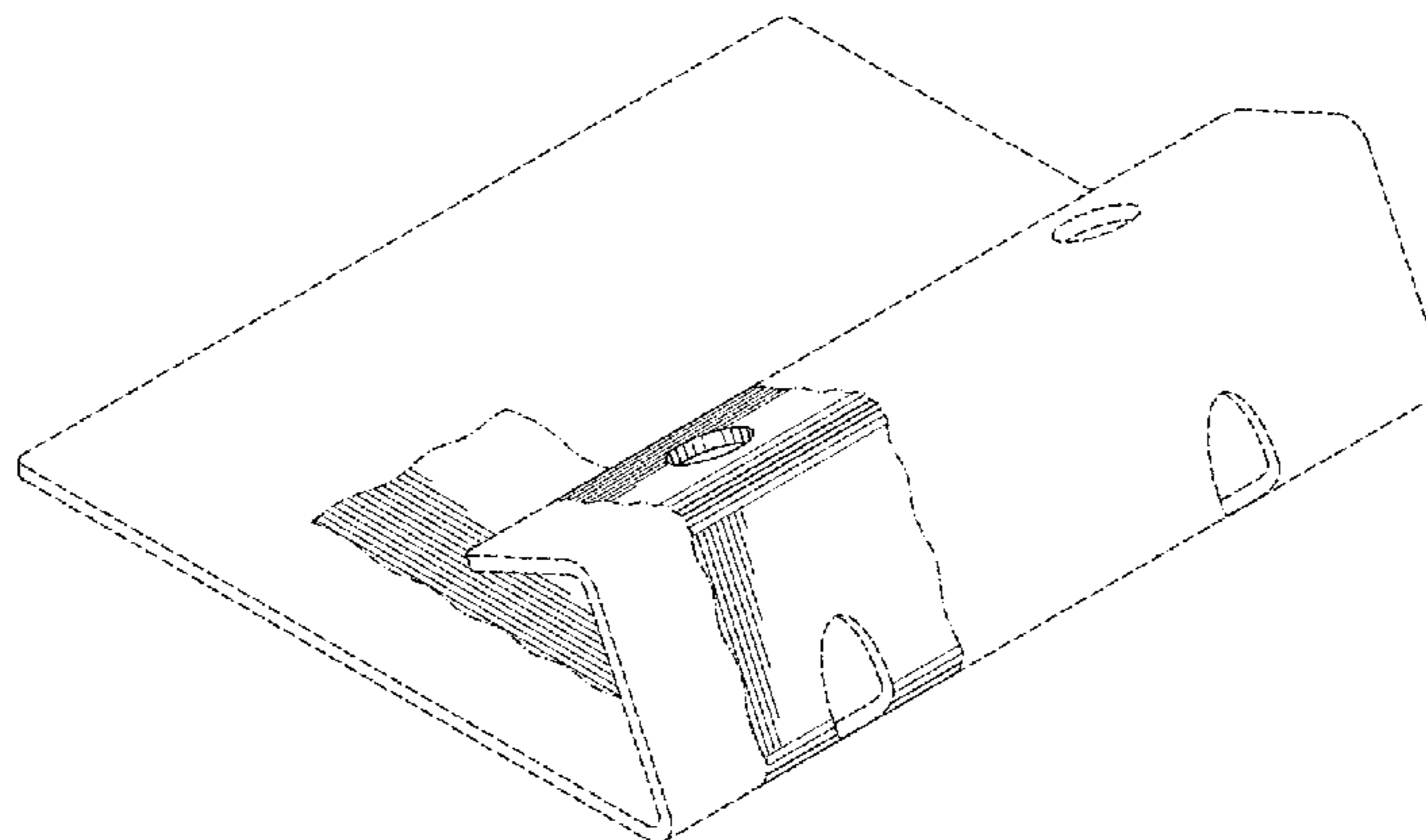
The ornamental design for a needle protector support, as
shown and described.

DESCRIPTION

FIG. 1 is an oblique view of needle protector support
showing our new design;
FIG. 2 is a left side elevation view of thereof, the right side
elevation view being a mirror;
FIG. 3 is a front elevation view thereof;
FIG. 4 is a top plan view thereof;
FIG. 5 is a rear elevation view thereof; and,
FIG. 6 is a bottom plan view thereof.

The dash dot lines immediately adjacent to the claimed area
represent the boundaries of the claimed design. The dashed
lines in the figures illustrate the portions of the design that
form no part of the claimed design. None of the broken lines
form any part of the claimed design.

1 Claim, 3 Drawing Sheets



(56)

References Cited

U.S. PATENT DOCUMENTS

5,082,113 A * 1/1992 Romick A61J 1/035
206/459.1
5,102,083 A 4/1992 Baskas
D334,973 S * 4/1993 Valentine D24/227
D340,641 S * 10/1993 Pittman D9/415
5,279,578 A * 1/1994 Cooke A61M 5/3213
206/365
5,292,313 A 3/1994 Fallas
D347,055 S * 5/1994 Jarvis D23/366
D354,679 S * 1/1995 Dunn D9/415
5,380,493 A * 1/1995 Chavez B01L 9/50
211/85.13
5,399,169 A 3/1995 Stein
5,469,964 A 11/1995 Bailey
5,498,242 A 3/1996 Cooke
5,607,403 A 3/1997 Kretschmar et al.
D398,429 S * 9/1998 LeBlanc D34/6
D411,882 S * 7/1999 Minasian D24/130
5,925,020 A 7/1999 Nestell
D420,798 S * 2/2000 Belokin D3/201
D484,140 S * 12/2003 Rowell D14/471
D500,638 S * 1/2005 Srivastava D7/601
D553,737 S * 10/2007 Rolfe D24/130
D582,564 S * 12/2008 Potter D24/216
D594,660 S * 6/2009 Lindstrom D3/304
D625,430 S * 10/2010 Meyer-Hayoz D24/152
8,303,599 B2 11/2012 Hess et al.
D675,065 S * 1/2013 Tarantino D7/601

D744,824 S * 12/2015 Holley, Jr. D9/415
2002/0014560 A1 2/2002 Diamond
2002/0195362 A1 12/2002 Abe
2004/0245134 A1 12/2004 Alcouloumre et al.
2007/0038184 A1* 2/2007 Bialecki A61M 25/0618
604/164.08
2007/0073222 A1* 3/2007 Lilley, Jr. A61M 25/0618
604/110

OTHER PUBLICATIONS

Black Tie Medical Inc., Tulip—Syringe Stands and Supplied, Retrieved Nov. 22, 2013 at : <http://www.tulipmedical.com/tulip-accessories2.html>.
Zirc Co., Syringe 20-Unit Stand, Retrieved Nov. 22, 2013 at : <http://www.zirc.com/eshop/10Expand.asp?ProductCode=20Z487>.
Dental Domain Corporation, Composite Syringe Holder (p. 2, 3rd picture), [retrieved on Jan. 21, 2014], Publication date on Oct. 9, 2010. <<http://www.dentakdomain.ph/products/disposable-materials/>>.
Biodex, Unit Dose Pig Wall Rack, [retrieved on Jan. 21, 2014], publication date Oct. 6, 2011. <<http://biodex.com/nuclear-medicine/products/syringe-vial-shields/pigs-and-accessories/unit-dose-pig-wall-rack>>.
Adhesive Dispensing Ltd, SYR19B, [retrieved on Jan. 21, 2014], publication date Jun. 12, 2011. <<http://web.archive.org/web/20130810045155/http://adhesivedispensers.co.uk/racks.htm>>.

* cited by examiner

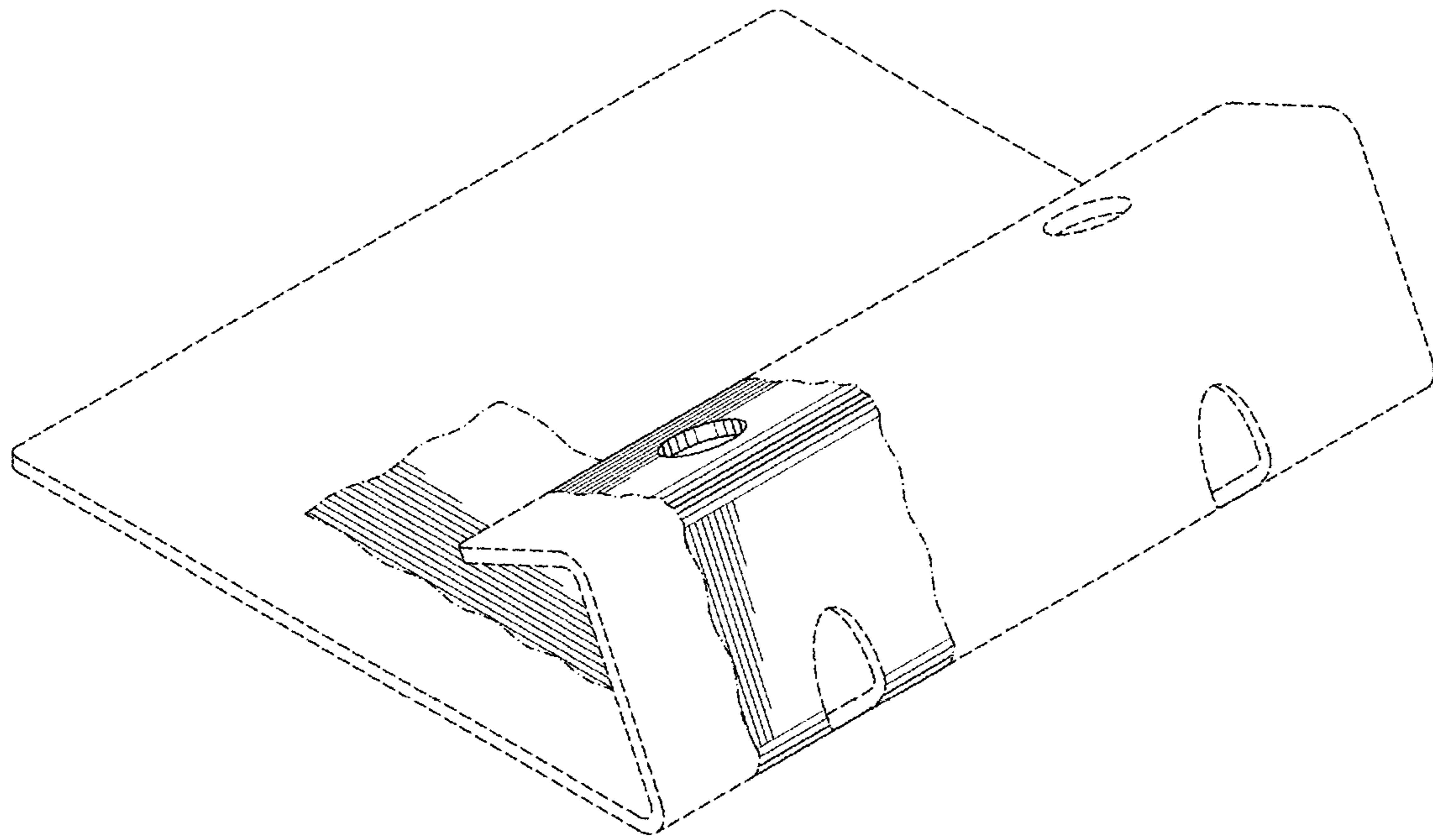


FIG. 1

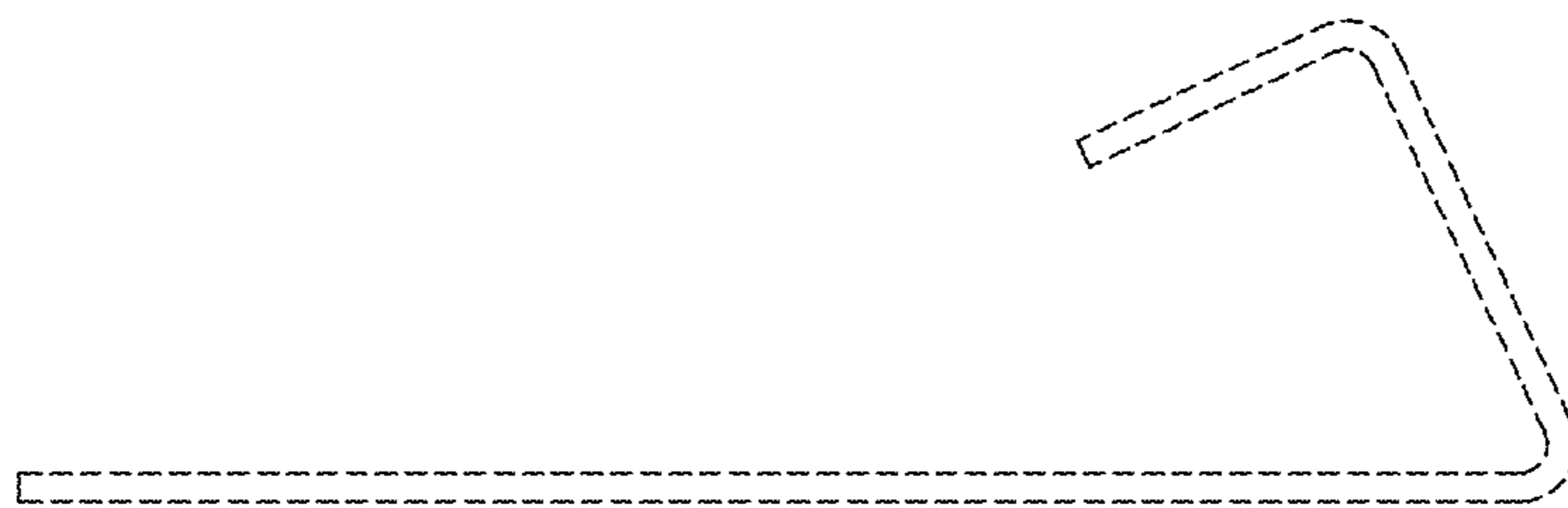


FIG. 2

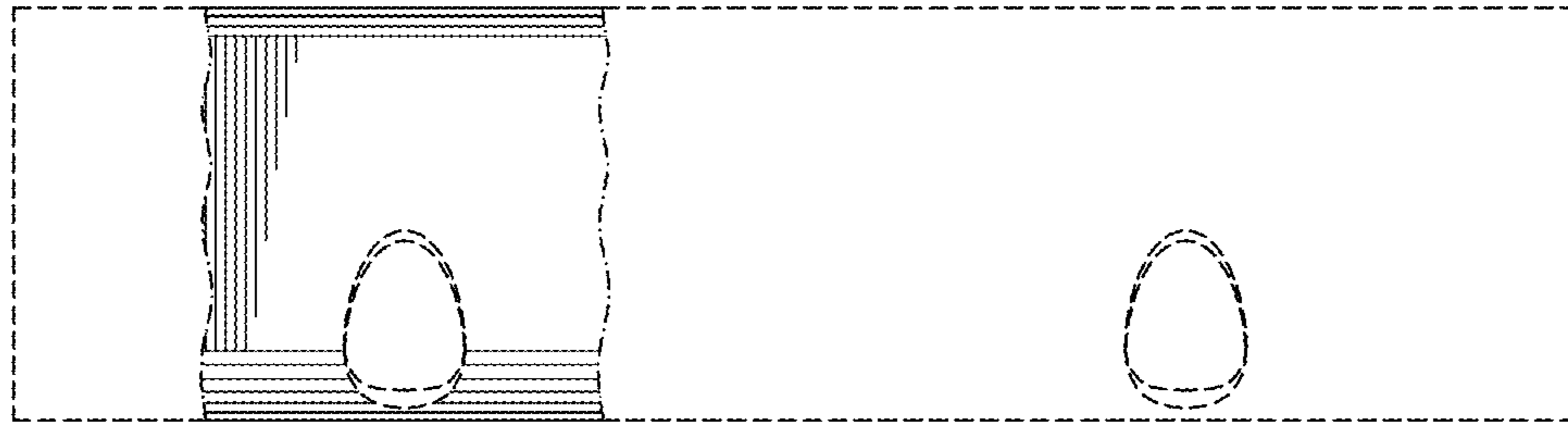


FIG. 3

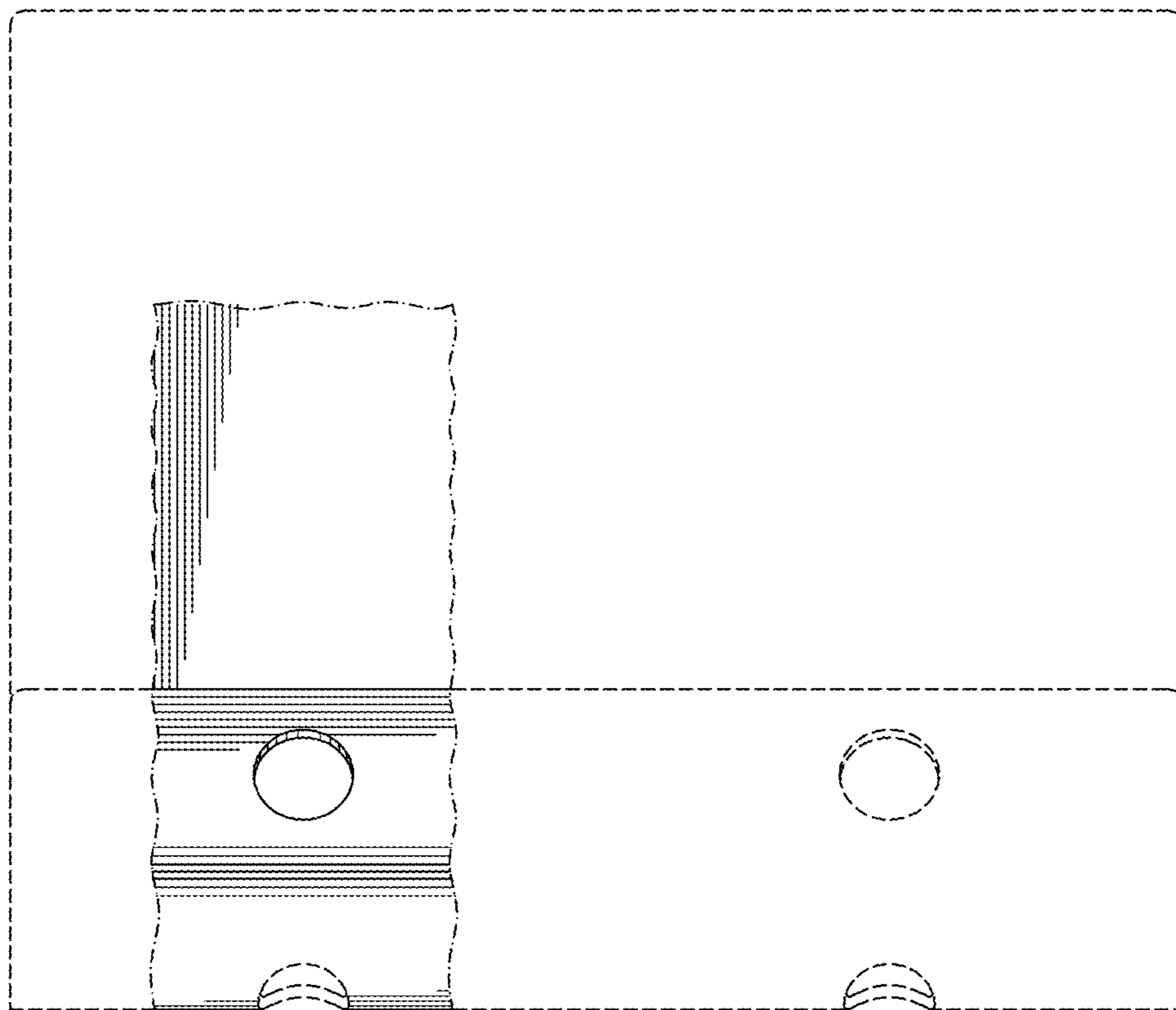


FIG. 4

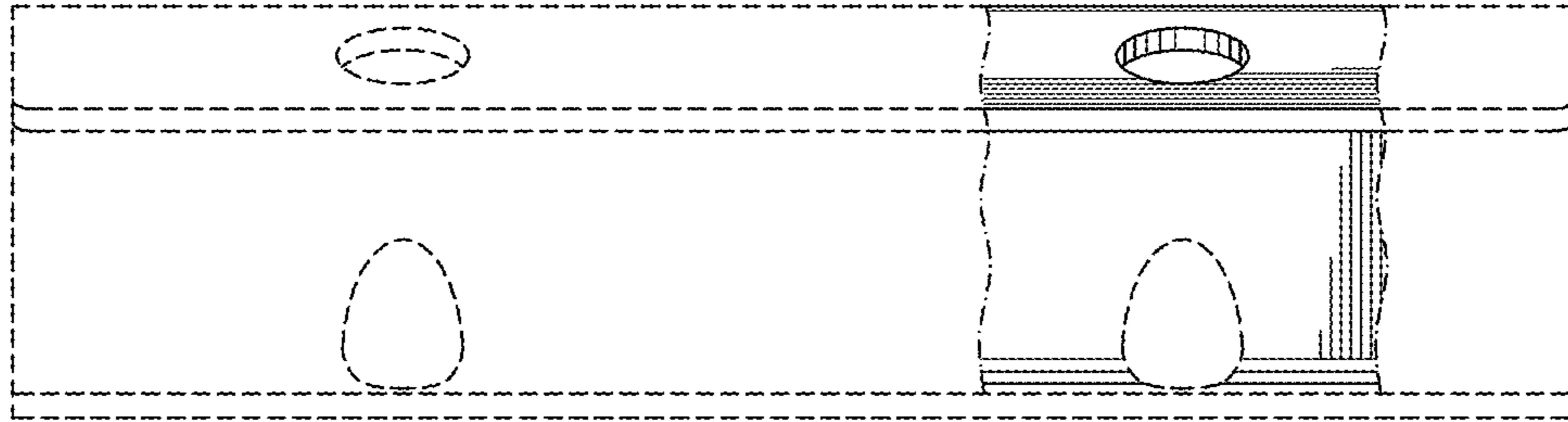


FIG. 5

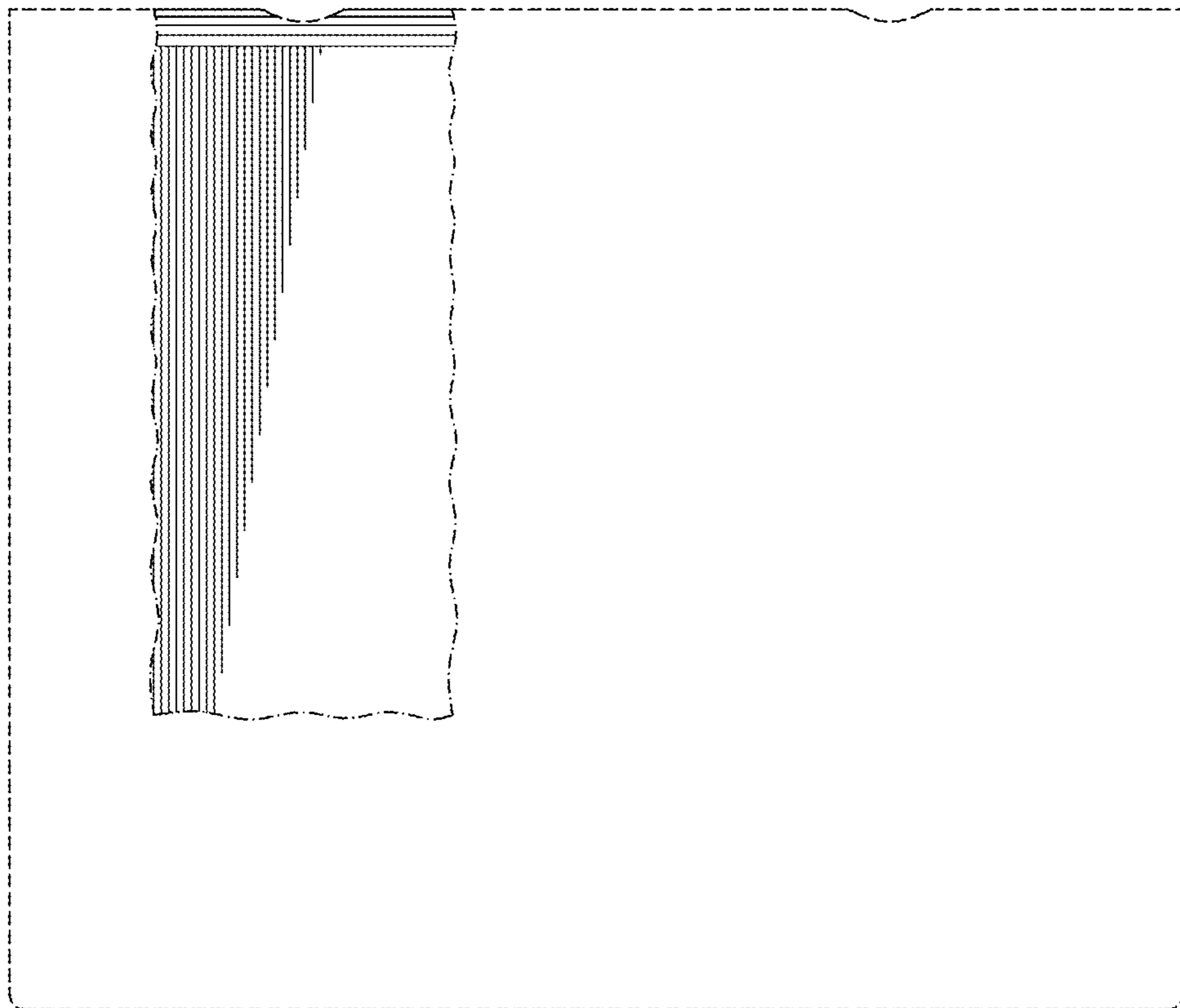


FIG. 6