



US00D775327S

(12) **United States Design Patent**  
**Fuller et al.**

(10) **Patent No.:** **US D775,327 S**

(45) **Date of Patent:** **\*\* Dec. 27, 2016**

(54) **SAMPLING DEVICE**

(71) Applicant: **Premier Biotech, Inc.**, Excelsior, MN  
(US)

(72) Inventors: **Kevin S. Fuller**, Chaska, MN (US);  
**Wayde J. Altendorf**, Hickson, ND  
(US)

(73) Assignee: **Premier Biotech, Inc.**, Excelsior, MN  
(US)

(\*\*) Term: **14 Years**

(21) Appl. No.: **29/506,668**

(22) Filed: **Oct. 17, 2014**

(51) **LOC (10) Cl.** ..... **24-04**

(52) **U.S. Cl.**  
USPC ..... **D24/122**

(58) **Field of Classification Search**  
USPC ..... D24/121, 113, 112, 127, 224, 117;  
604/403; D9/453, 449, 447, 440, 436,  
D9/435, 434, 516, 547, 549, 560, 572,  
D9/573; D7/398, 397, 608, 602, 619.1,  
D7/629; 222/570, 569, 544, 548, 562,  
222/157, 158

CPC ..... A61J 1/1418; A61J 1/18; B01L 3/508;  
B29C 45/006; B29C 66/5326

See application file for complete search history.

(56) **References Cited**

**U.S. PATENT DOCUMENTS**

D527,631 S \* 9/2006 Mallet ..... D9/449  
D541,662 S \* 5/2007 Little ..... D9/522

D544,798 S \* 6/2007 Young ..... D9/530  
D552,739 S \* 10/2007 Green ..... D24/186  
D558,584 S \* 1/2008 Blank ..... D9/560  
D563,228 S \* 3/2008 Nottingham ..... D9/531  
D619,003 S \* 7/2010 Benoit-Gonin ..... D9/453  
D620,590 S \* 7/2010 Wan ..... D24/121  
D634,200 S \* 3/2011 Taber ..... D9/453  
D666,061 S \* 8/2012 Ying ..... D7/629  
D671,834 S \* 12/2012 Chasteen ..... D9/453  
D684,470 S \* 6/2013 Concin ..... D9/453  
2014/0134073 A1 \* 5/2014 Fuller ..... G01N 1/18  
422/411

\* cited by examiner

*Primary Examiner* — David Muller

*Assistant Examiner* — Nathan Johnston

(74) *Attorney, Agent, or Firm* — Christensen Fonder P.A.

(57) **CLAIM**

We claim the ornamental design for sampling device, as shown and described.

**DESCRIPTION**

FIG. 1 is a front elevation view of the device.

FIG. 2 is a rear elevation view thereof.

FIG. 3 is a side elevation view thereof. The view from the opposite side being a mirror image thereto.

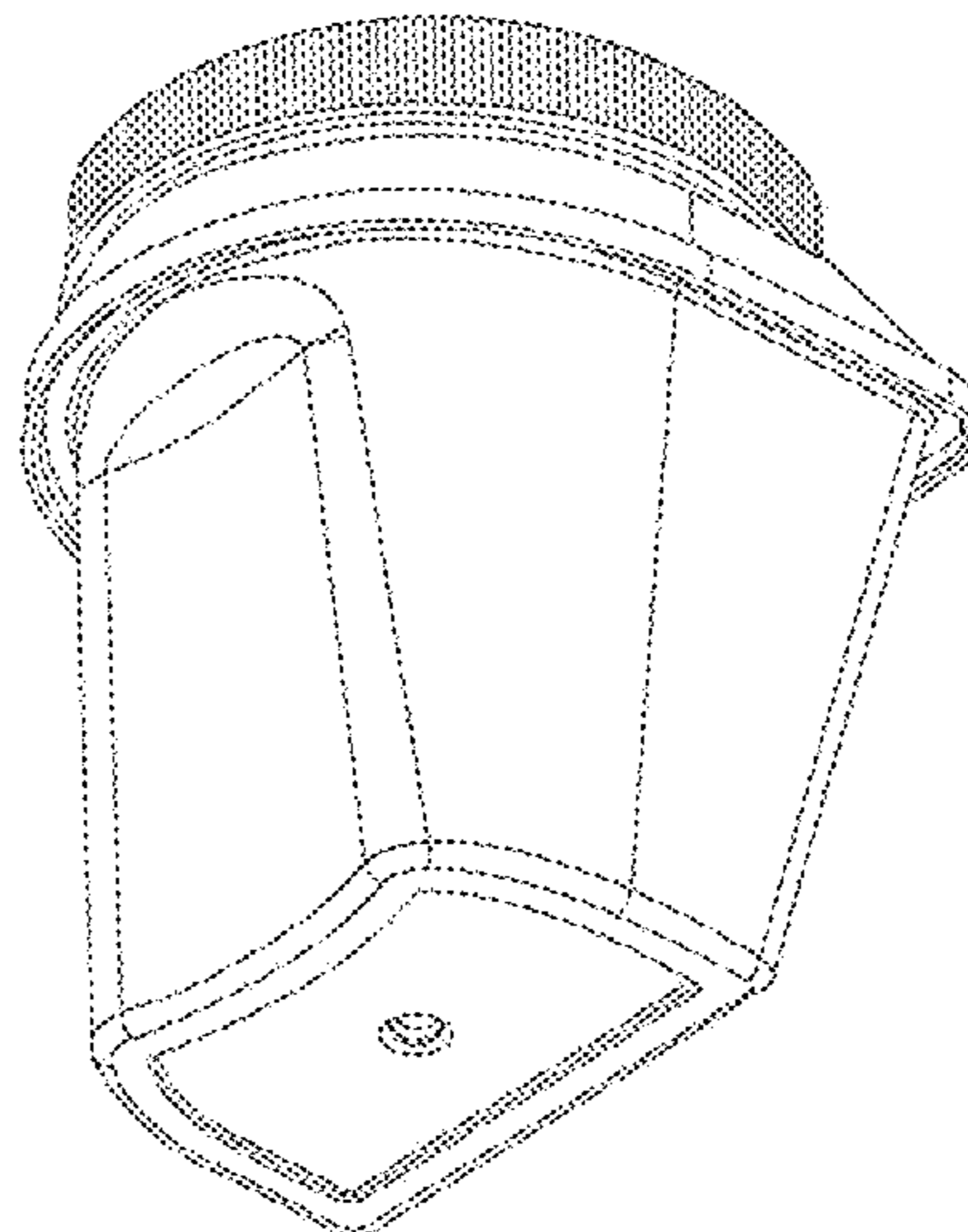
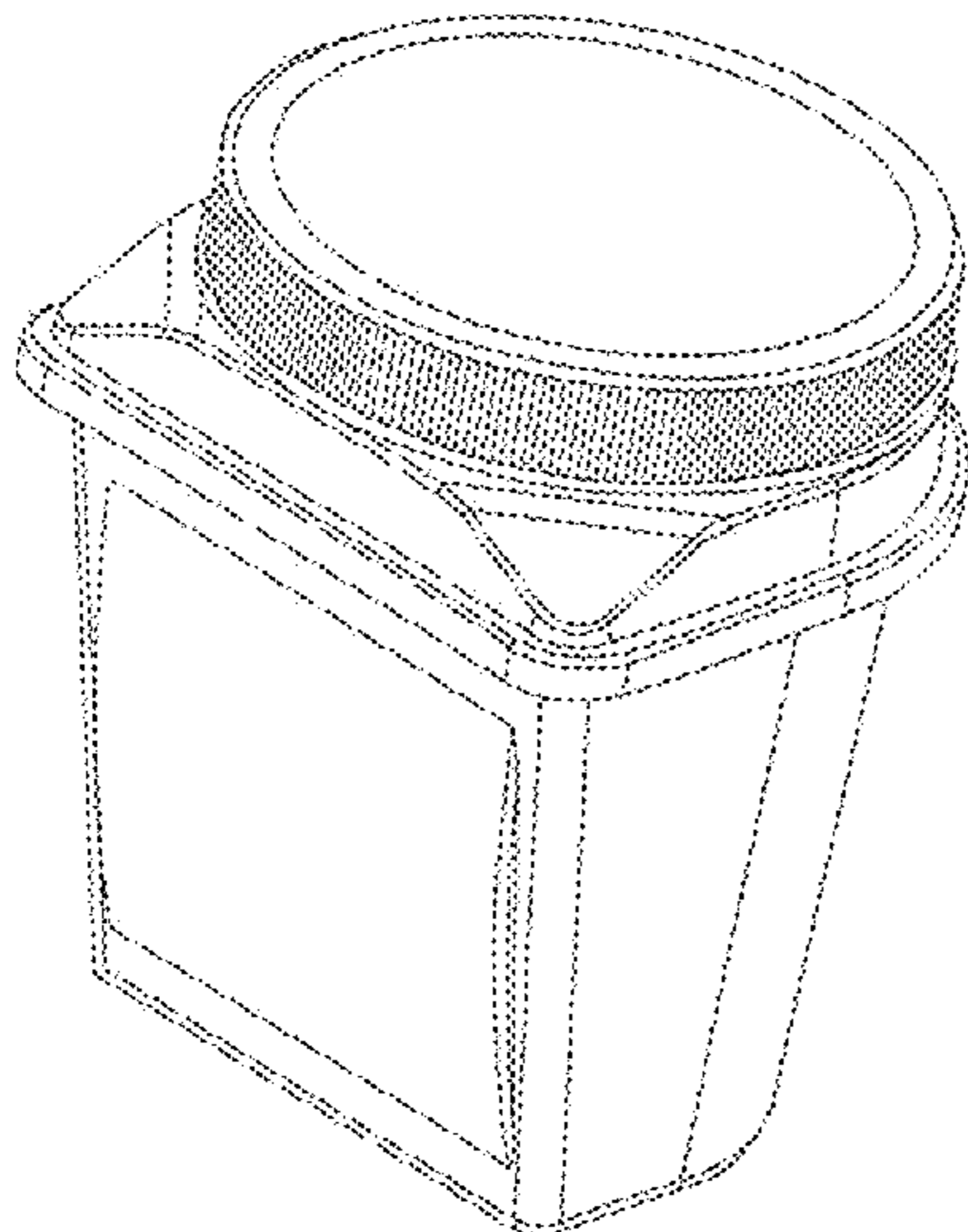
FIG. 4 is an upward perspective view thereof. The view from the adjacent front corner is a mirror image thereto.

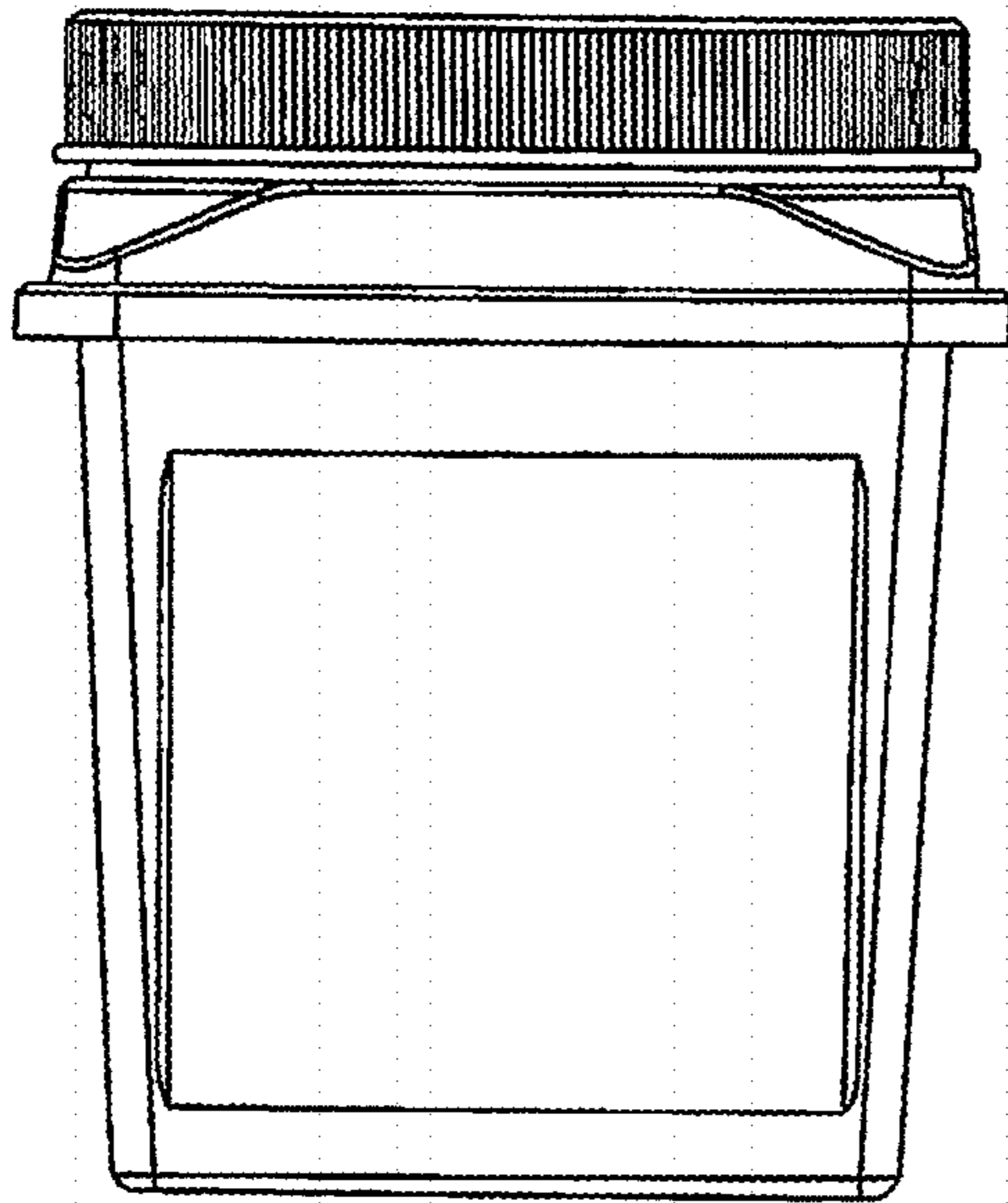
FIG. 5 is a downward perspective view thereof. The view from the adjacent front corner is a mirror image thereto.

FIG. 6 is an upward perspective view thereof. The view from the adjacent rear corner is a mirror image thereto; and,

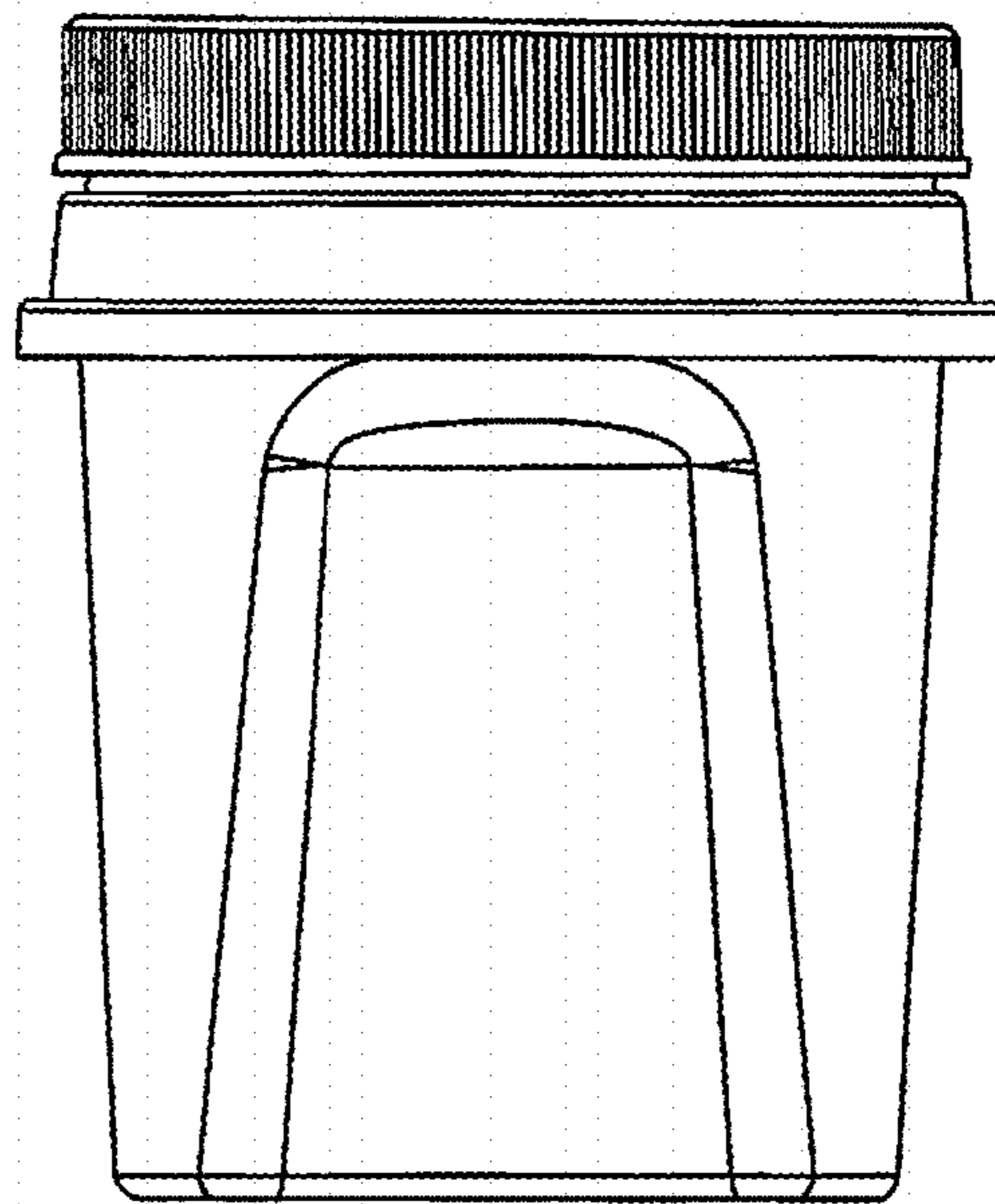
FIG. 7 is a downward perspective view thereof. The view from the adjacent rear corner is a mirror image thereto.

**1 Claim, 2 Drawing Sheets**

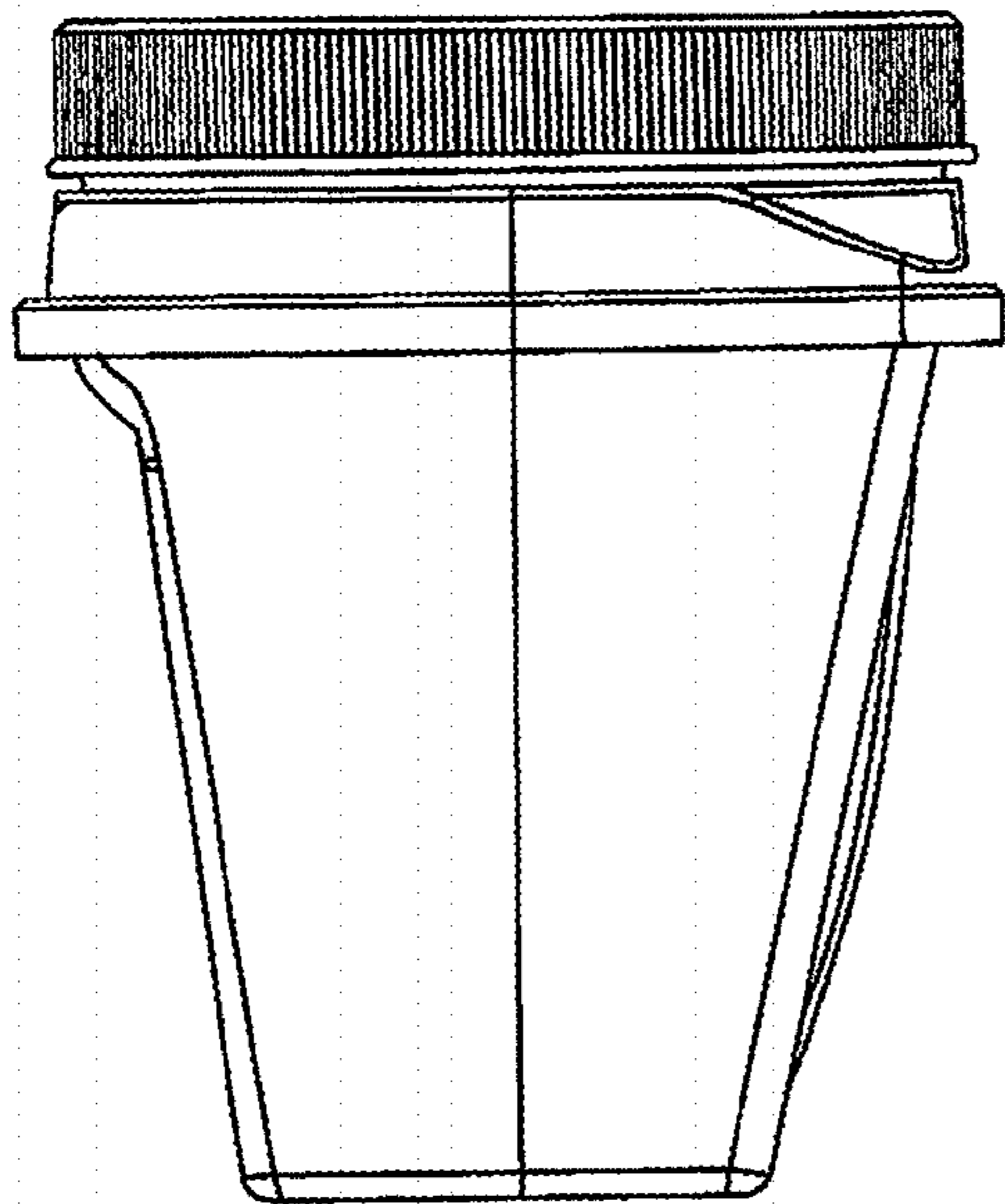




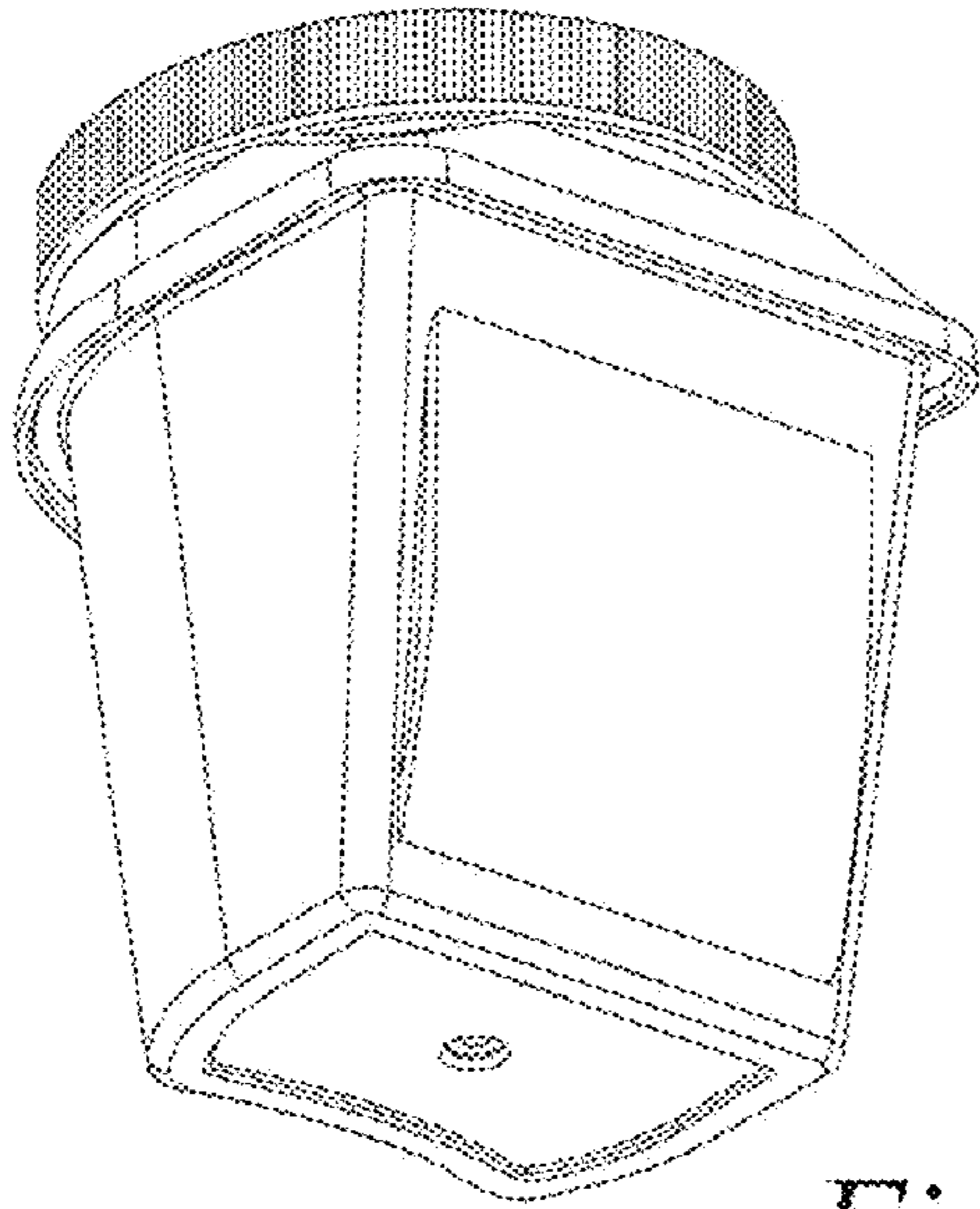
*Fig. 1*



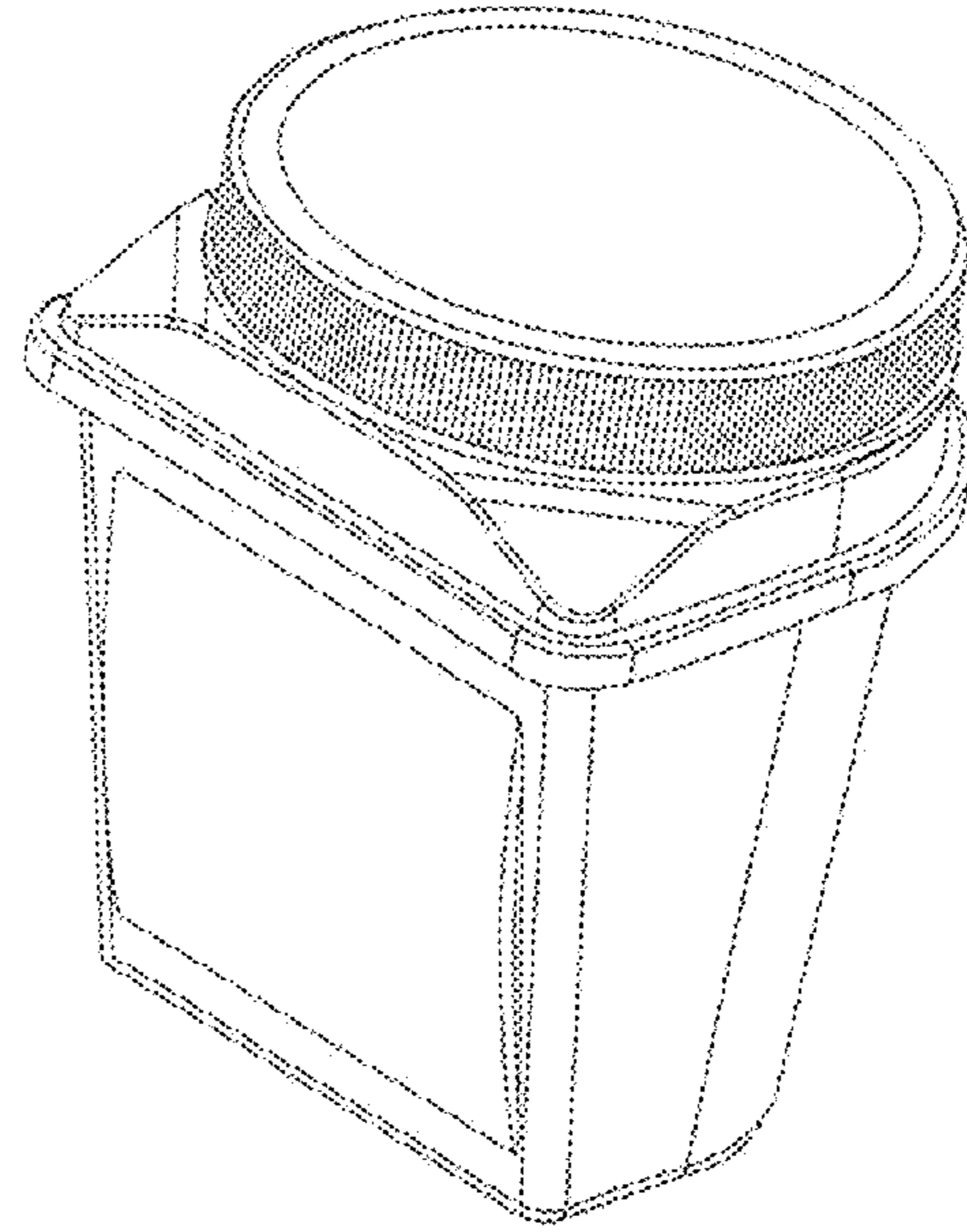
*Fig. 2*



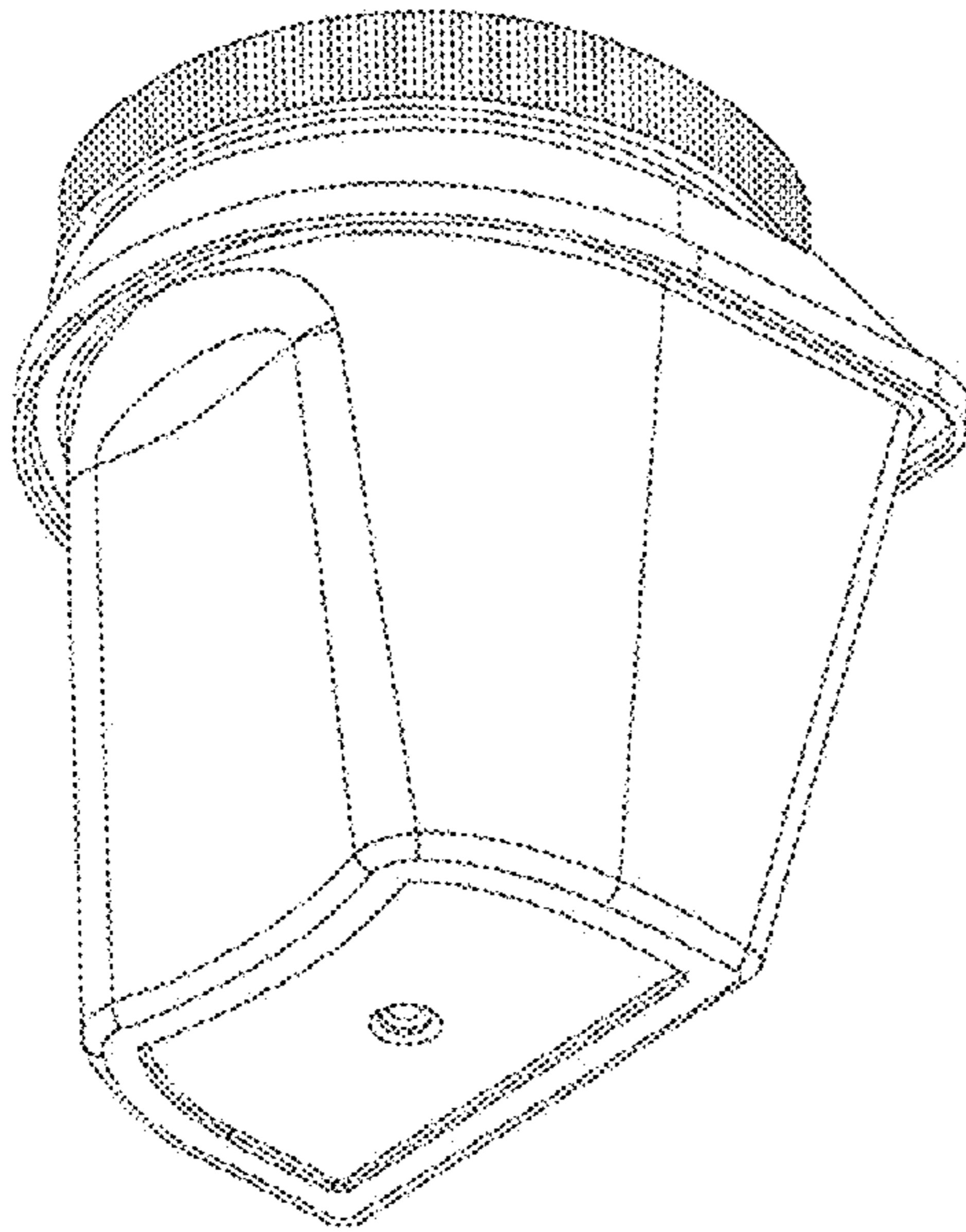
*Fig. 3*



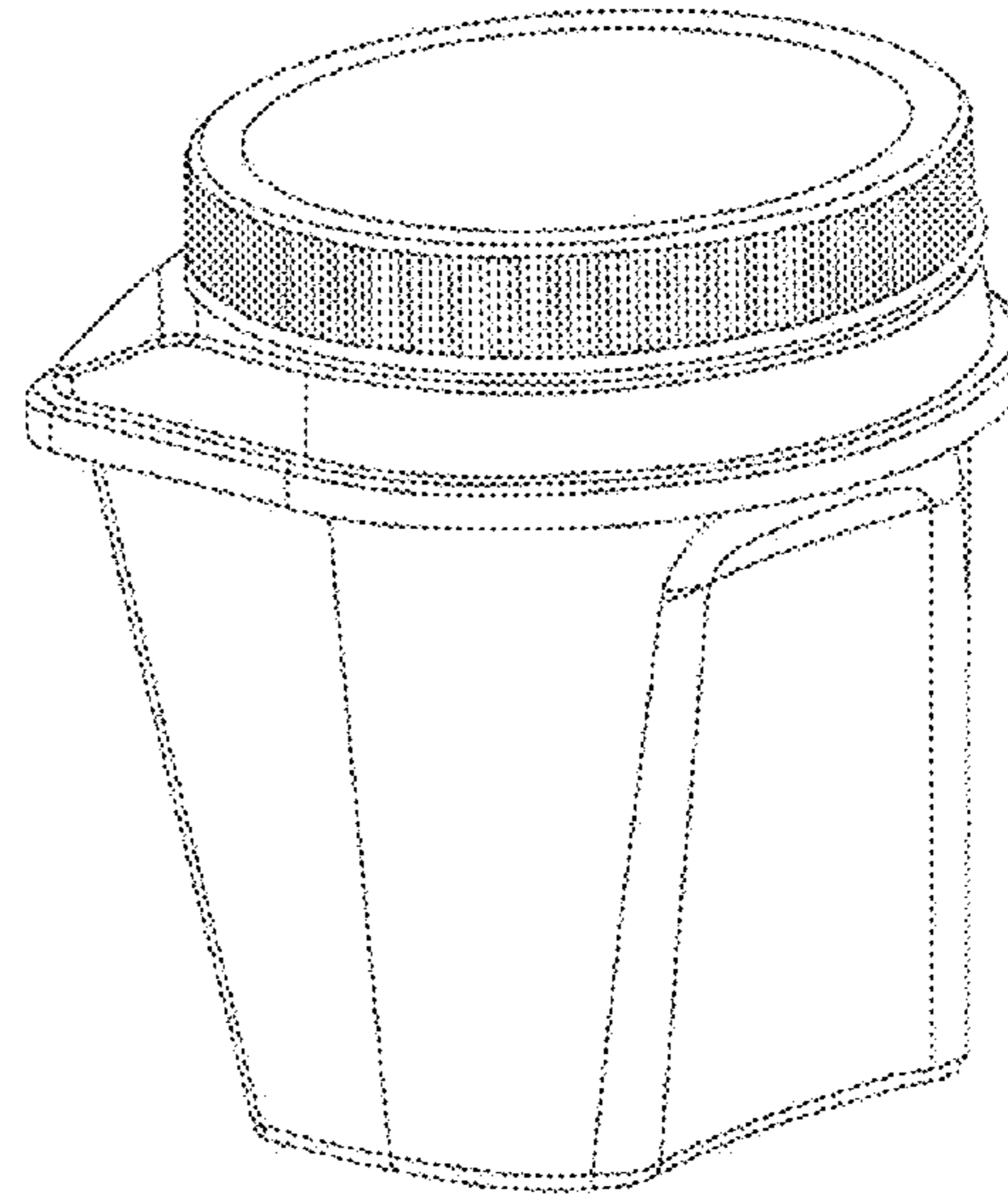
*Fig. 4*



*Fig. 5*



*Fig. 6*



*Fig. 7*