



US00D775326S

(12) **United States Design Patent** (10) **Patent No.:** **US D775,326 S**
Shulman (45) **Date of Patent:** **** Dec. 27, 2016**

(54) **EYE DROP APPLICATOR**

(71) Applicant: **Julius Shulman**, New York, NY (US)
(72) Inventor: **Julius Shulman**, New York, NY (US)
(73) Assignee: **Magic Touch Eye, Inc.**, New York, NY (US)

(**) Term: **15 Years**

(21) Appl. No.: **29/545,356**

(22) Filed: **Nov. 12, 2015**

(51) **LOC (10) Cl.** **24-02**

(52) **U.S. Cl.**
USPC **D24/120**

(58) **Field of Classification Search**
USPC D24/120, 121, 108, 193, 150;
604/294-302, 289, 290; 4/620; 215/4,
215/305, 328; 206/210, 828; 222/566,
222/575, 420; D9/453
CPC A61F 9/0008; A61M 35/00; A61M 35/003;
B65D 47/18
See application file for complete search history.

(56) **References Cited**

U.S. PATENT DOCUMENTS

1,336,109 A 4/1920 Trullinger
2,019,071 A 10/1935 Carr et al.
2,673,661 A 3/1954 Barton et al.
3,016,898 A 1/1962 Erwin et al.

(Continued)

FOREIGN PATENT DOCUMENTS

DE 29711373 11/1997
WO 2014055676 4/2014
WO 2014111802 7/2014

OTHER PUBLICATIONS

<https://web.archive.org/web/20110220003150/http://eyepodmagic.com>, Feb. 20, 2011.

(Continued)

Primary Examiner — David Muller

(74) *Attorney, Agent, or Firm* — Kilpatrick Townsend & Stockton LLP

(57) **CLAIM**

The ornamental design for an eye drop applicator, as shown and described.

DESCRIPTION

FIG. 1 is a perspective view of an eye drop applicator, shown with a removable cap.

FIG. 2 is a side view of the eye drop applicator of FIG. 1, shown with the cap positioned on the applicator.

FIG. 3 is a side view of the eye drop applicator of FIG. 1, shown without the cap, with other side views being identical to the side view shown in FIG. 3.

FIG. 4 is a top view of the eye drop applicator of FIG. 1, shown with the cap positioned on the applicator.

FIG. 5 is a top view of the eye drop applicator of FIG. 1, shown without the cap.

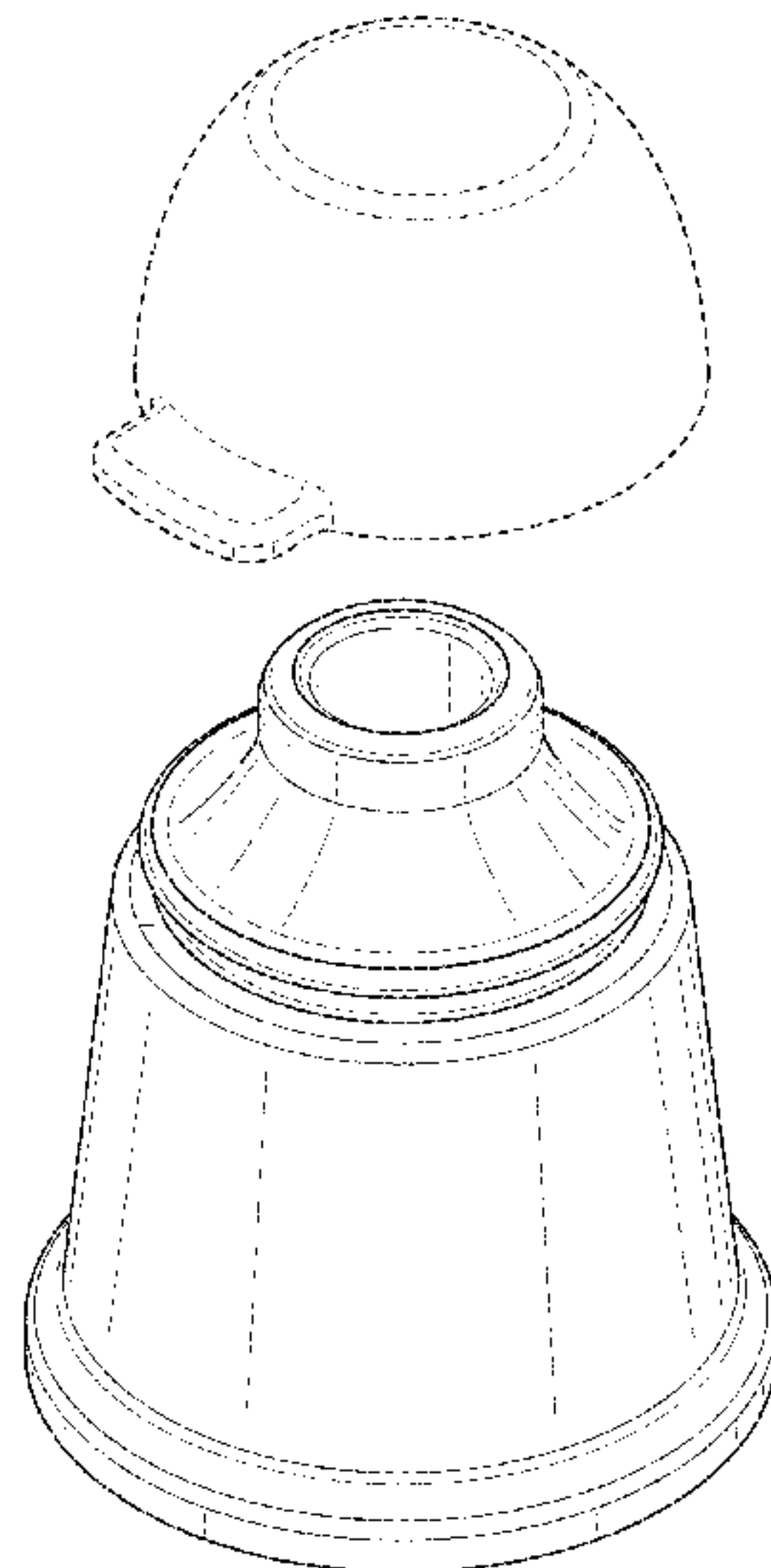
FIG. 6 is a bottom view of the eye drop applicator of FIG. 1, shown without the cap.

FIG. 7 is a side view of the eye drop applicator of FIG. 1, shown positioned on a bottle and with the cap positioned on the applicator; and,

FIG. 8 is a perspective view of the eye drop applicator of FIG. 1, shown without the cap and shown disposed on a user's finger, filled with an eye drop, and positioned with respect to a user's eye.

The dash dot lines immediately adjacent to the claimed areas in the views represent the boundaries of the claimed design. The dashed lines in the figures illustrate the portions of the design that form no part of the claimed design. None of the broken lines form any part of the claimed design.

1 Claim, 8 Drawing Sheets



(56)

References Cited

U.S. PATENT DOCUMENTS

3,958,528 A 5/1976 Hill et al.
 4,085,750 A 4/1978 Bosshold et al.
 D248,448 S * 7/1978 McClure D24/115
 4,761,381 A 8/1988 Blatt et al.
 4,834,728 A 5/1989 McKenna et al.
 4,913,682 A 4/1990 Shabo et al.
 4,960,407 A 10/1990 Cope et al.
 4,968,310 A 11/1990 Menchel et al.
 5,007,905 A 4/1991 Bauer et al.
 5,040,706 A 8/1991 Davis et al.
 5,246,145 A * 9/1993 Leoncavallo B65D 47/0885
 215/216
 5,387,202 A 2/1995 Baron
 5,611,464 A * 3/1997 Tsao A61K 9/0048
 222/189.06
 5,756,050 A 5/1998 Kirillov et al.
 5,902,292 A 5/1999 Feldman et al.
 6,051,190 A 4/2000 Francois et al.
 6,159,189 A 12/2000 Finnemore et al.
 6,197,008 B1 * 3/2001 Hagele A61F 9/0008
 222/420
 6,331,085 B1 12/2001 Schrepf et al.
 6,632,202 B1 * 10/2003 Hagele A61F 9/0008
 222/420
 6,913,406 B1 7/2005 Nocerino et al.
 7,178,703 B2 * 2/2007 Spada A61F 9/0008
 222/209
 7,476,043 B1 1/2009 Rivas et al.
 7,527,613 B2 5/2009 Gaynes et al.
 D597,213 S * 7/2009 Barnett D24/117
 7,678,089 B2 3/2010 Py et al.
 7,758,553 B2 * 7/2010 Poisson A61M 35/003
 222/212
 D676,126 S * 2/2013 Hair D24/108
 8,444,610 B2 * 5/2013 Grevin 222/420
 8,679,078 B2 3/2014 Leahy et al.
 D736,906 S * 8/2015 Schultz D24/108
 D743,019 S * 11/2015 Schultz D24/108
 D763,078 S * 8/2016 Roy D9/434
 2006/0129113 A1 6/2006 Merrick et al.
 2006/0198692 A1 9/2006 Petit et al.
 2007/0287123 A1 12/2007 Swift et al.
 2009/0105749 A1 4/2009 de Juan et al.
 2010/0234319 A1 9/2010 Yu et al.

2011/0306942 A1 12/2011 Thorpe et al.
 2014/0094759 A1 4/2014 Mansfield et al.
 2014/0350492 A1 11/2014 Rojas et al.

OTHER PUBLICATIONS

“5pcs Mini Facial Eye Silicone Massage Cup Diameter 6 Mm Cupping Vacuum Chinese”, <http://www.aliexpress.com/item/5pcs-MINI-FACIAL-EYE-SILICONE-MASSAGE-CUP-DIAMETER-6-MM-CUPPING-VACUUM-CHINESE/2021900579.html>, believed to be available as early as Jun. 16, 2015.
 “Bradley Fixtures Opti-Aid™ Plus Personal Eyewash Station”, <https://www.fishersci.com/shop/products/bradley-fixtures-opti-aid-plus-personal-eyewash-station/p-3526554>, believed to be available as early as Jun. 16, 2015.
<http://www.news-medical.net/news/20091211/Hot-Ideas-World-creates-Eye-POD-Eye-Care-Kit.aspx>, Dec. 11, 2009.
<http://www.prnewswire.com/news-releases/inventor-discovers-a-new-way-of-inserting-contact-lens-in-1-second---finger-free-79397202.html>, Dec. 16, 2009.
 “Lab Supplies”, MidAtlantic Ortho, http://www.midatlanticortho.com/lab_supplies.php, Aug. 2, 2009.
 The Newest Unique Designed BPA Free Silicone Travel Bottle/Names Of Eye Drops, http://www.alibaba.com/product-detail/The-Newest-Unique-Designed-BPA-Free_716366566.html, believed to be available as early as Jun. 16, 2015.
 “Vistamaxx propylene-based elastomer”, ExxonMobil Chemical, N.p., <http://www.exxonmobilchemical.com/Chem-English/brands/vistamaxx-propylene-based-elastomers.aspx?In=productsservices>, Oct. 3, 2013.
 Shmulinson et al., “Formation of Elastomeric Polypropylene Promoted by Racemic Acetylacetonate Group 4 Complexes”, *Organometallics*, vol. 19, <http://pubs.acs.org/doi/pdf/10.1021/om9908985>, Oct. 3, 2013, pp. 1208-1210.
 Tiwari et al., “Polypropylene-elastomer (TPO) nanocomposites”, *Elsevier: Polymer*, vol. 52, No. 21, <http://www.sciencedirect.com/science/article/pii/S0032386111006859#>, Oct. 3, 2013, pp. 4955-4969.
 Notice of Allowance, Design U.S. Appl. No. 29/564,315, mailed Sep. 2, 2016, 6 pages.
 Office Action, Indian Design Application No. 283265, mailed Aug. 9, 2016, 2 pages.

* cited by examiner

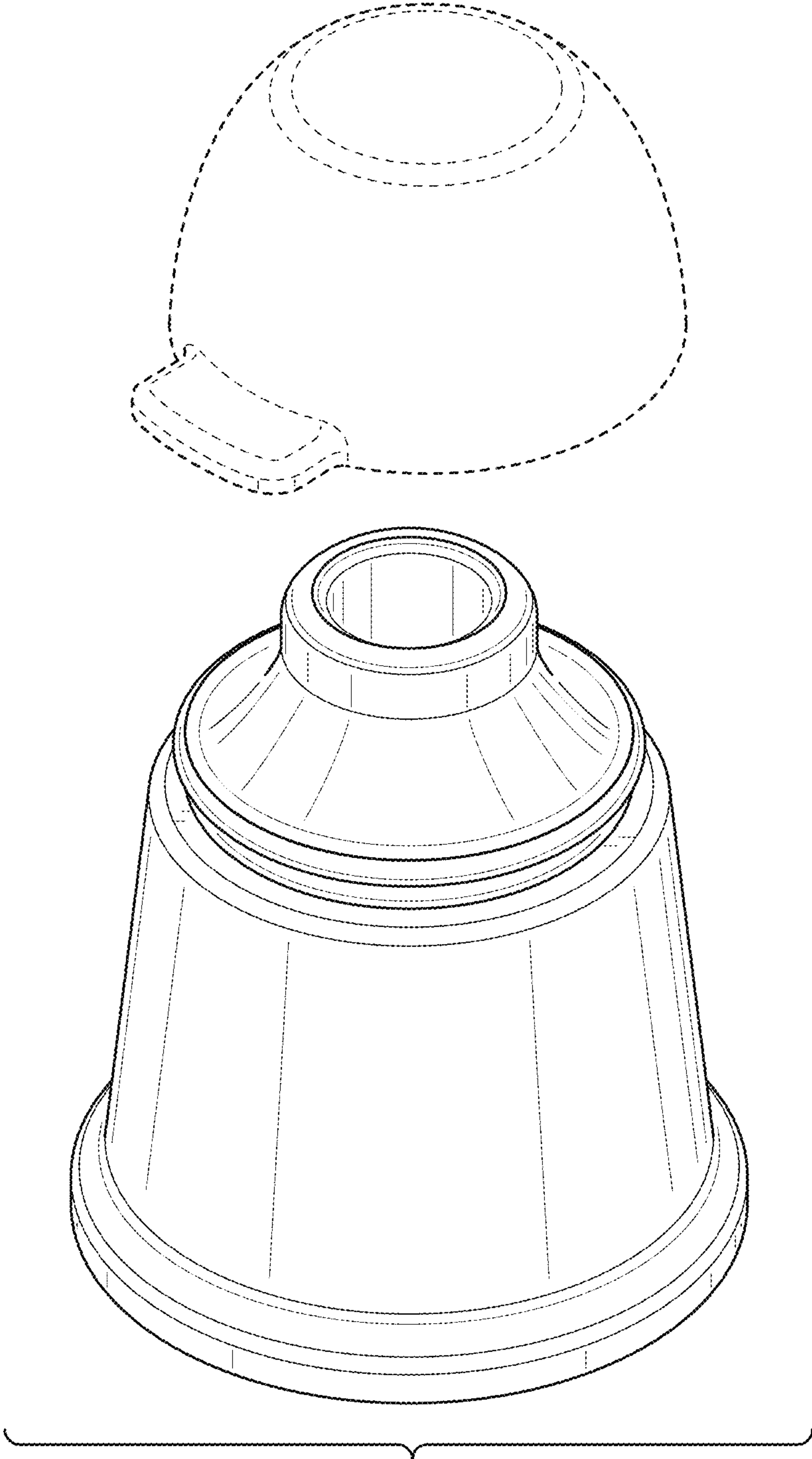


FIG. 1

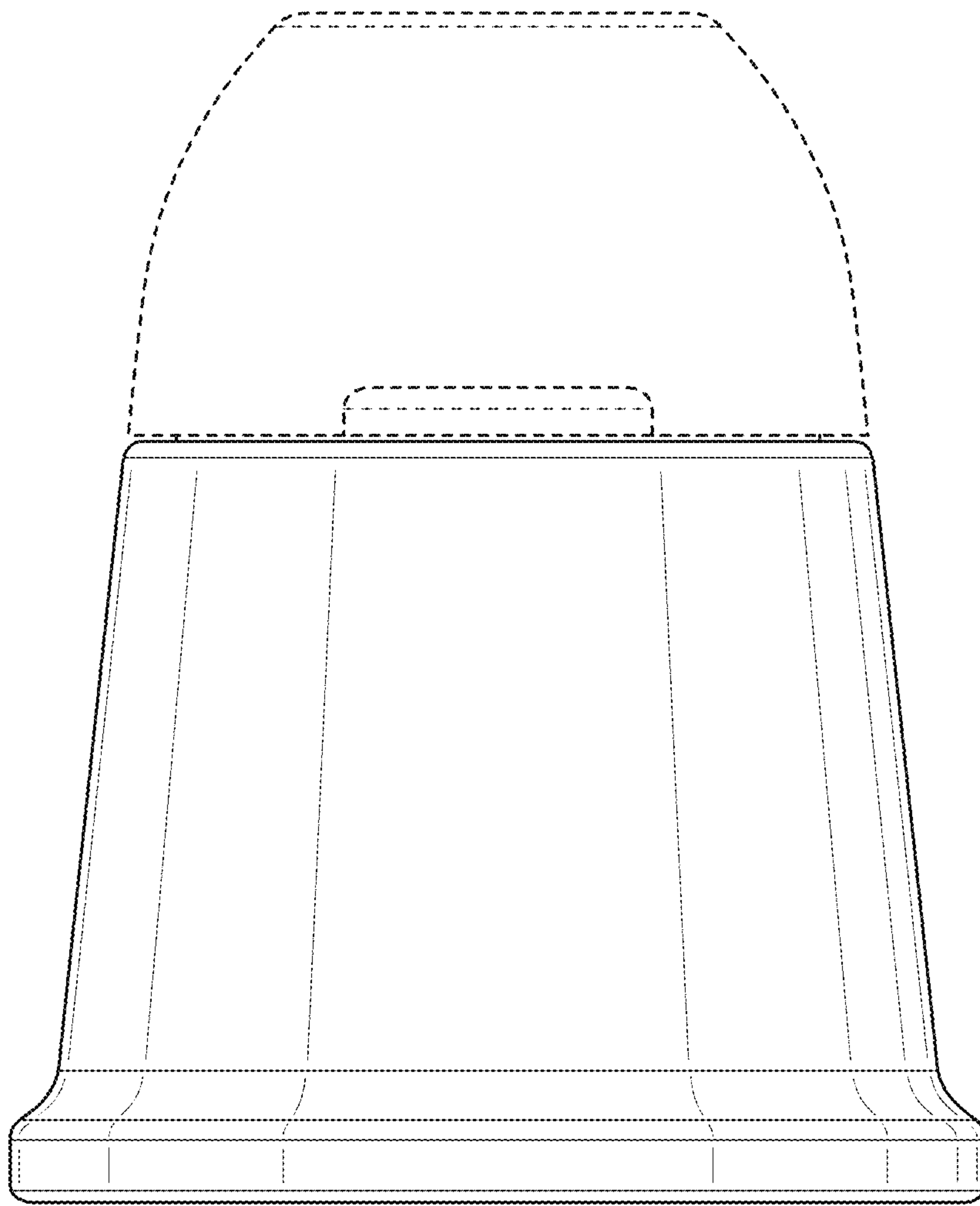


FIG. 2

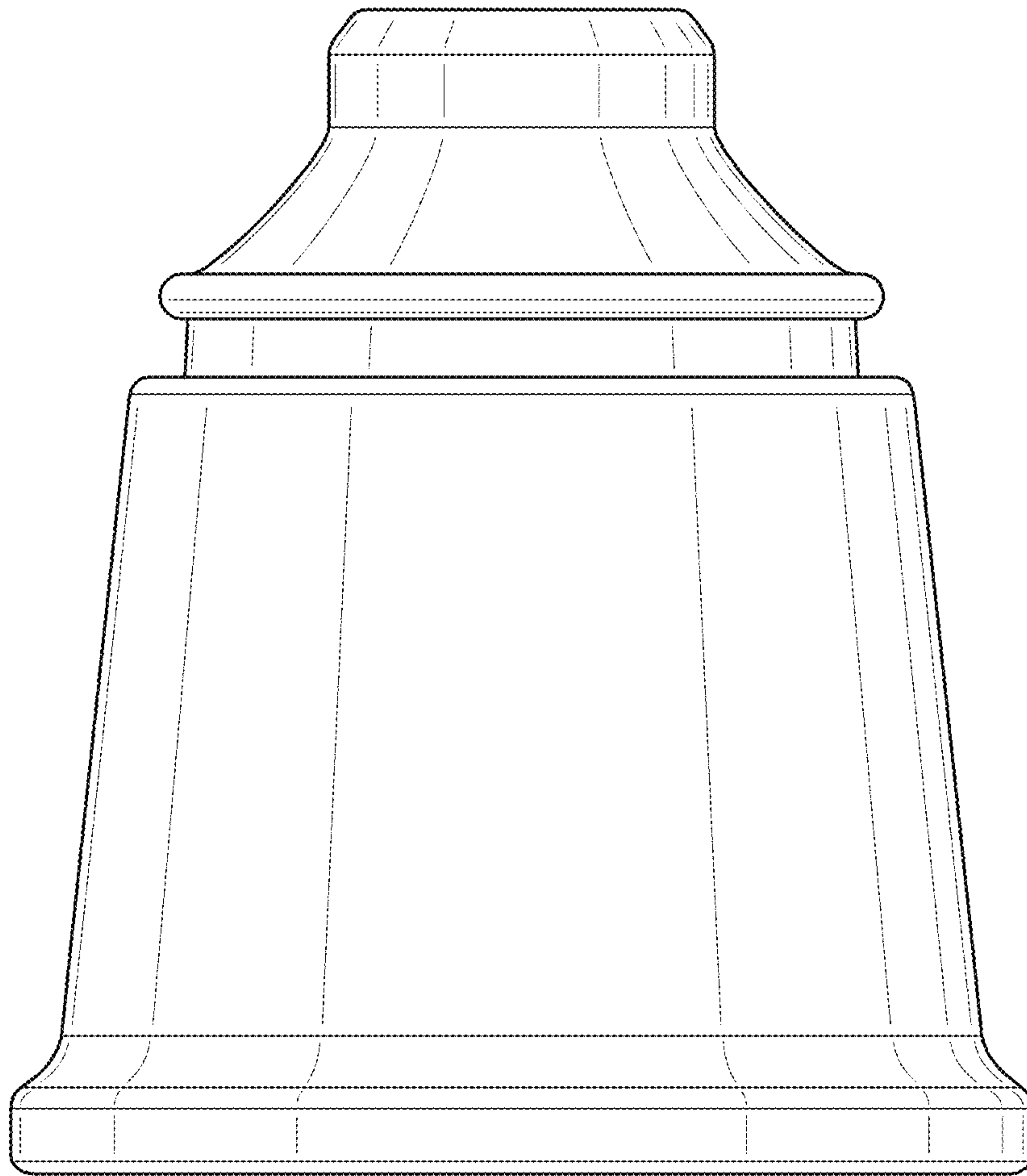


FIG. 3

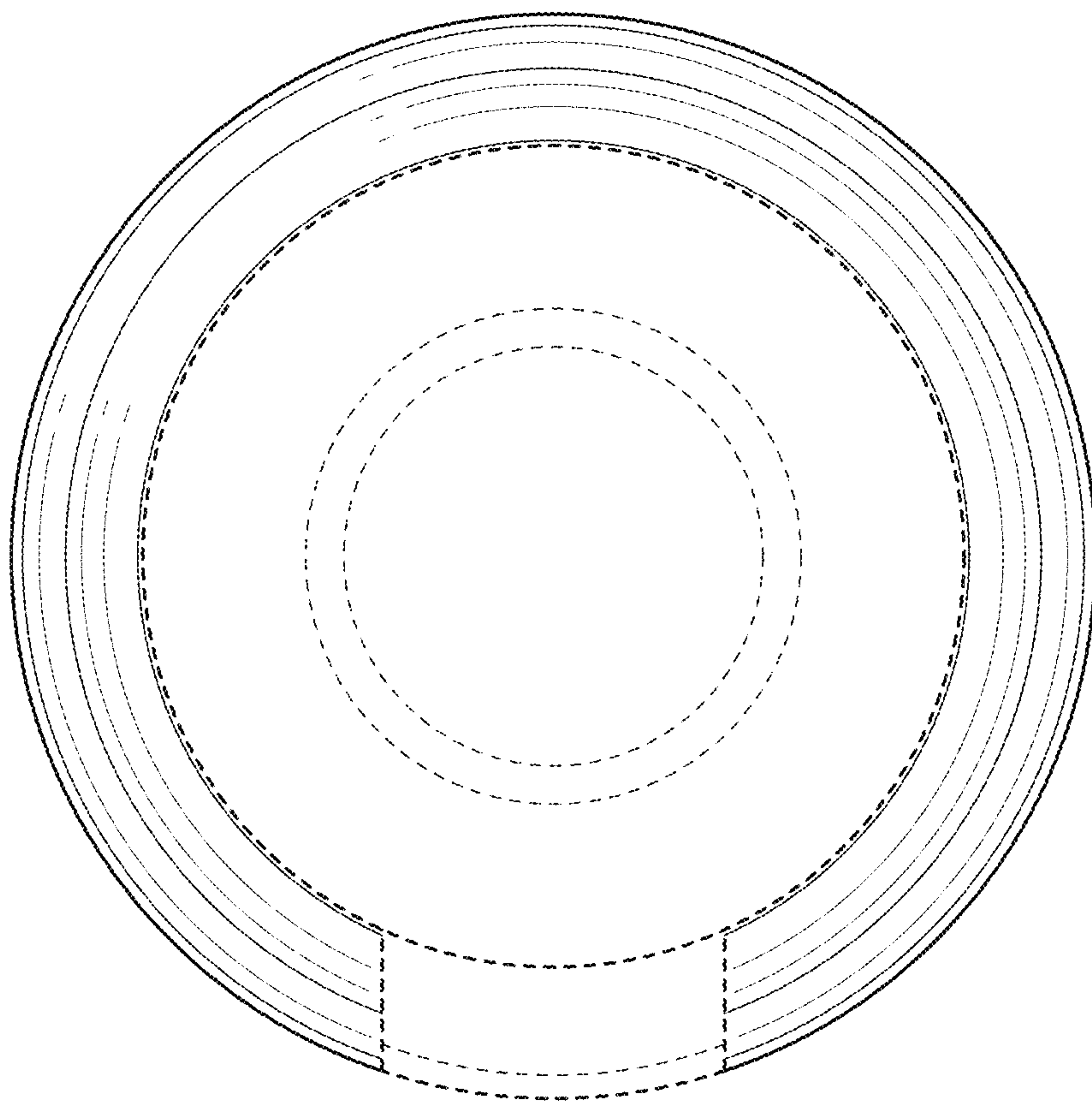


FIG. 4

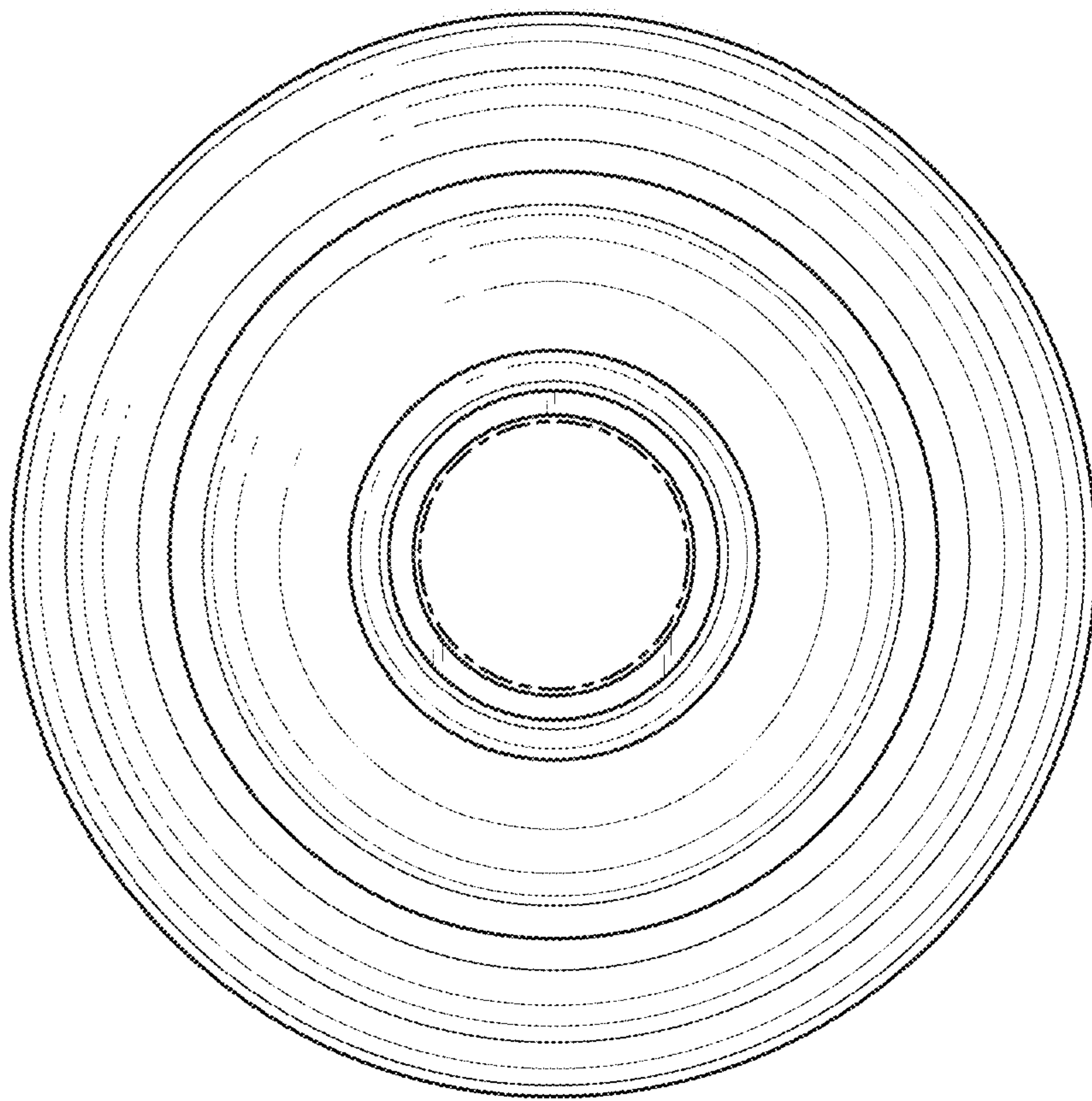


FIG. 5

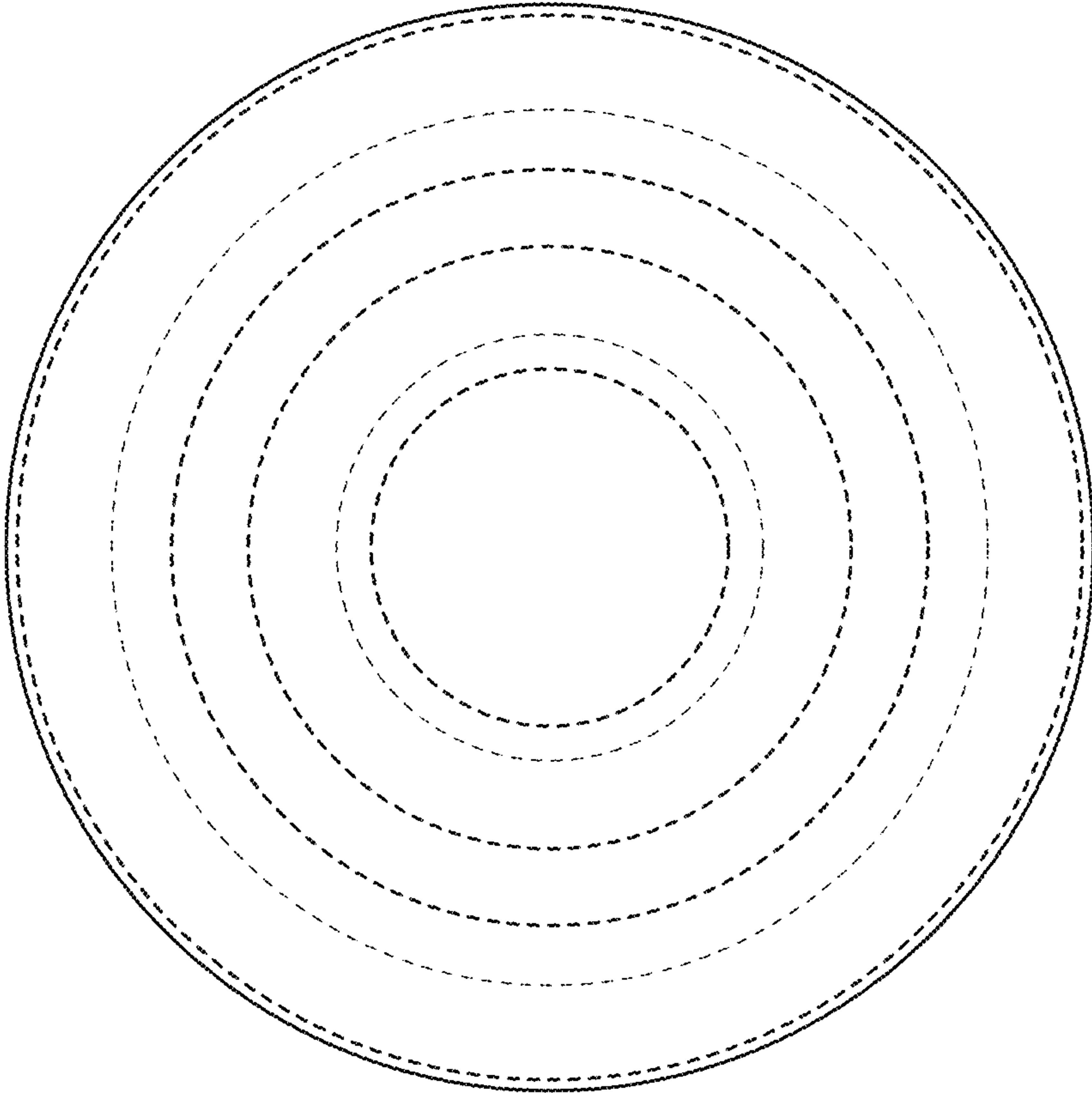


FIG. 6

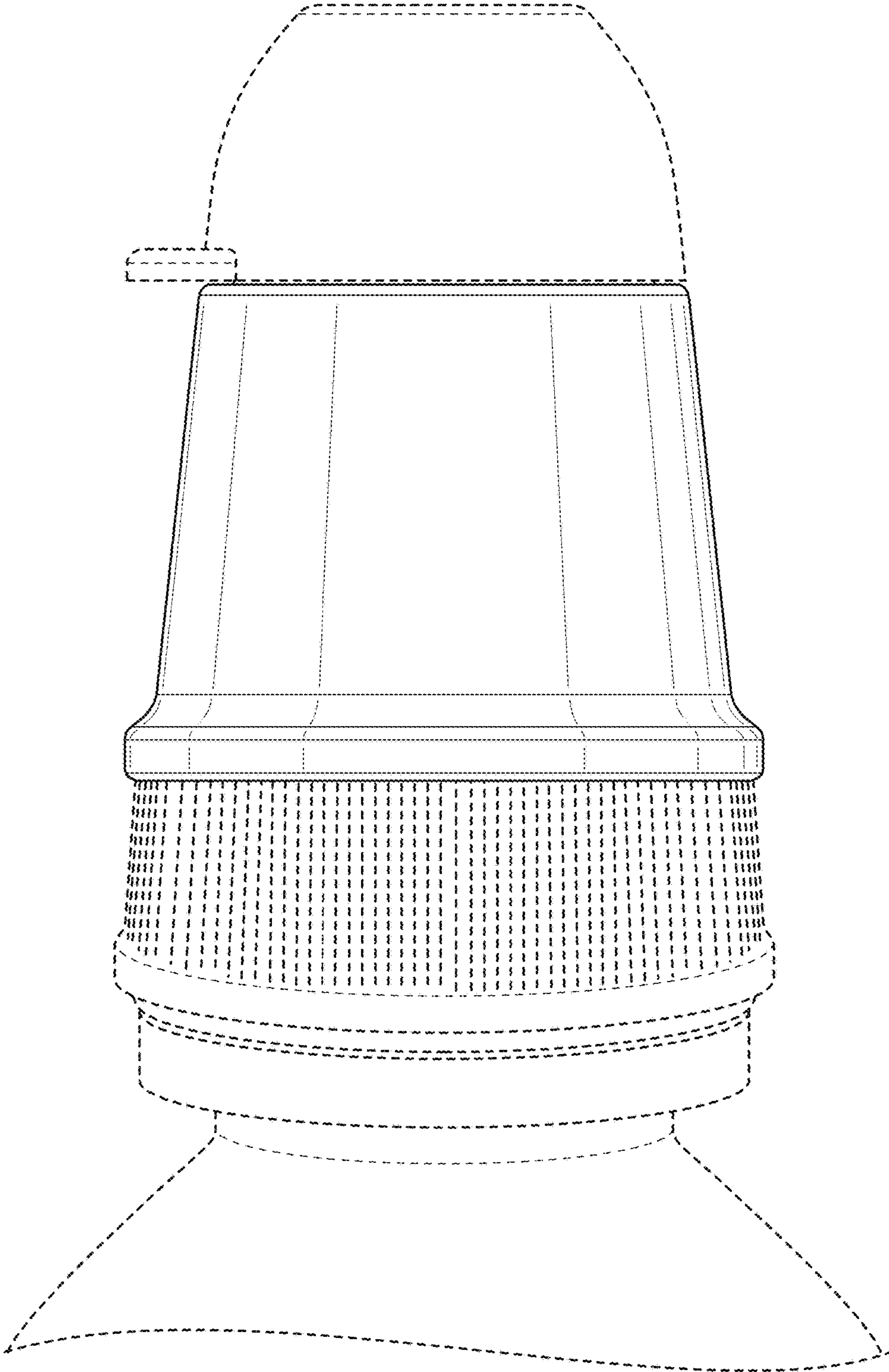


FIG. 7

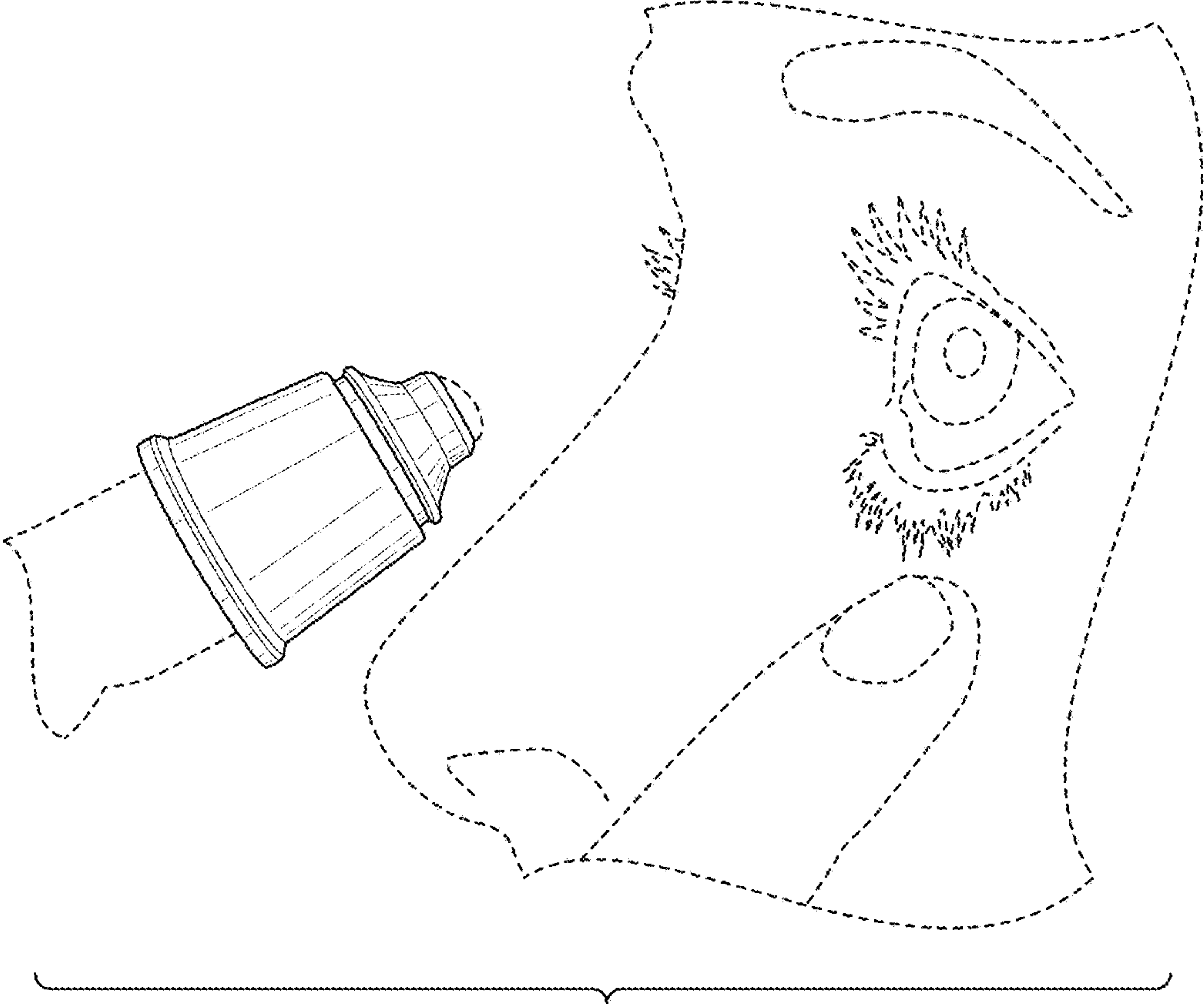


FIG. 8