



US00D775324S

(12) **United States Design Patent**
Larson et al.

(10) **Patent No.:** **US D775,324 S**
(45) **Date of Patent:** **** Dec. 27, 2016**

- (54) **PLUNGER AND FINGER GRIP FOR A SYRINGE**
- (71) Applicant: **GENZYME CORPORATION**,
Cambridge, MA (US)
- (72) Inventors: **Robin Cameron Larson**, Londonderry,
NH (US); **Barbara Yu-Fong Wan**,
Lexington, MA (US); **Daniel John
Zuniga**, Medford, MA (US);
Manikandan Namasivayam, North
Arlington, NJ (US); **Leticia Fabiano**,
Nutley, NJ (US); **Frederic Daniel
Blanquaert**, Saint-Ave (FR); **Anthony
John Franchino, Jr.**, Hillsborough, NJ
(US)
- (73) Assignee: **GENZYME CORPORATION**,
Cambridge, MA (US)

(**) Term: **14 Years**

(21) Appl. No.: **29/520,198**

(22) Filed: **Mar. 12, 2015**

(51) **LOC (10) Cl.** **24-02**

(52) **U.S. Cl.**
USPC **D24/114**

(58) **Field of Classification Search**
USPC D24/112-114, 108, 133, 130, 127, 186;
606/181, 185; 604/264, 272, 187, 181,
184, 604/227
CPC A61M 5/178; A61M 3/00; A61M 5/20;
A61M 5/31; A61M 5/3146; A61M
5/3129; A61M 5/3148
See application file for complete search history.

(56) **References Cited**

U.S. PATENT DOCUMENTS

- 6,245,044 B1 * 6/2001 Daw A61B 17/3401
604/158
- D448,474 S * 9/2001 Jansen D24/110
- D448,844 S * 10/2001 Reis D24/112

- 6,425,885 B1 * 7/2002 Fischer A61M 5/31511
604/187
- D573,256 S * 7/2008 Mauch D24/130
- D576,276 S * 9/2008 Osypka D24/130
- D593,679 S * 6/2009 Bartlett D24/130
- D721,803 S * 1/2015 Dubach D24/114
- D729,931 S * 5/2015 Takeuchi D24/114
- D733,870 S * 7/2015 Broyles D24/114
- D739,933 S * 9/2015 Ettlin D24/114
- D741,476 S * 10/2015 Hiraoka D24/114
- D744,643 S * 12/2015 Eckstein D24/130

* cited by examiner

Primary Examiner — David Muller

(74) *Attorney, Agent, or Firm* — McDonnell Boehnen
Hulbert & Berghoff LLP

(57) **CLAIM**

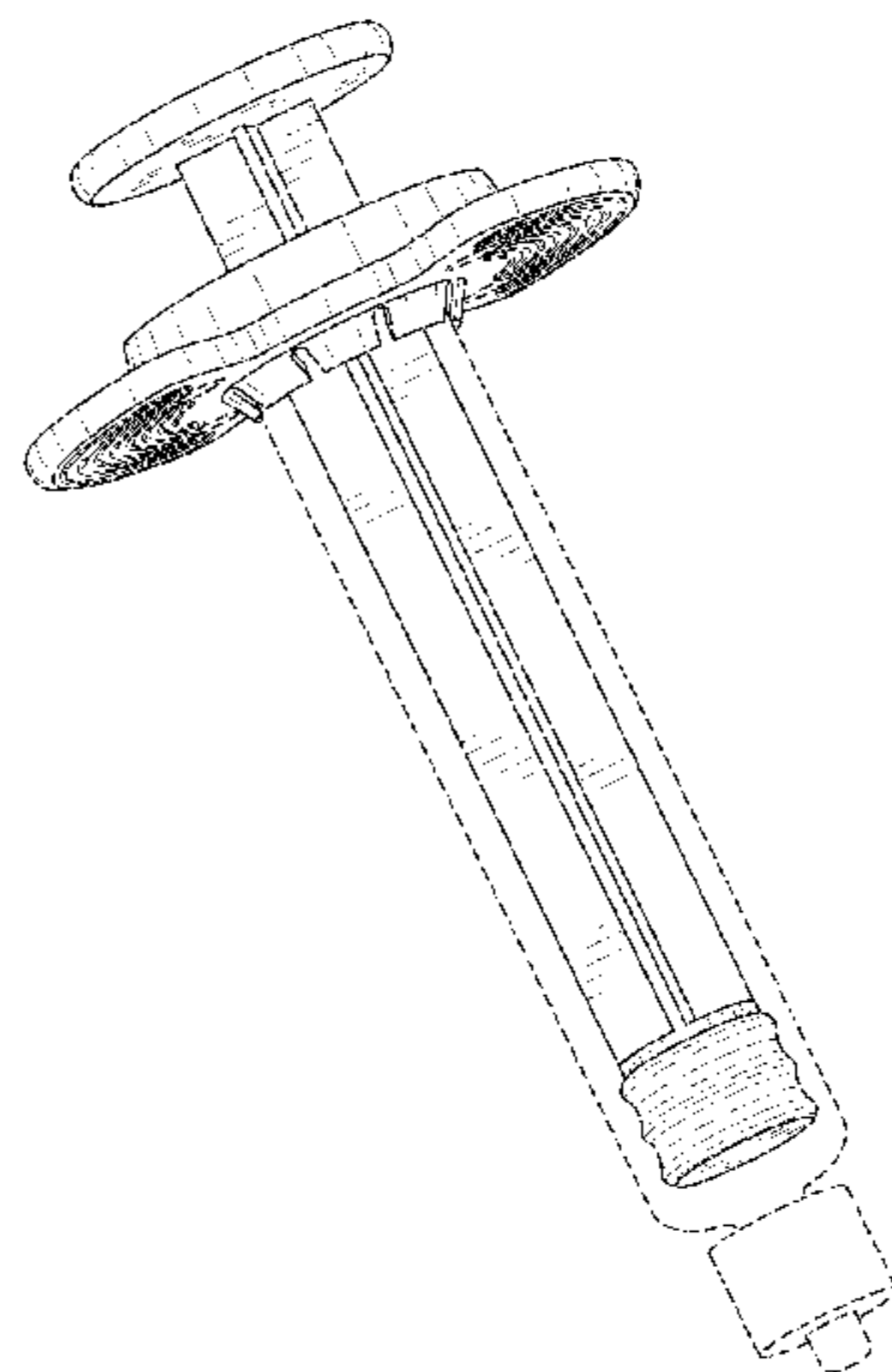
The ornamental design for a plunger and finger grip for a syringe, as shown and described.

DESCRIPTION

FIG. 1 is a perspective view of the plunger and finger grip for a syringe viewed from the front and left;
FIG. 2 is a front elevation view thereof;
FIG. 3 is a rear elevation view thereof;
FIG. 4 is a left side elevation view thereof;
FIG. 5 is a right side elevation view thereof;
FIG. 6 is top plan view thereof; and,
FIG. 7 is a bottom plan view thereof.

The broken line showing is for the purpose of illustrating portions of the article and forms no part of the claimed design. The broken line which defines the bounds of the claimed invention forms no part of the claimed design.

1 Claim, 4 Drawing Sheets



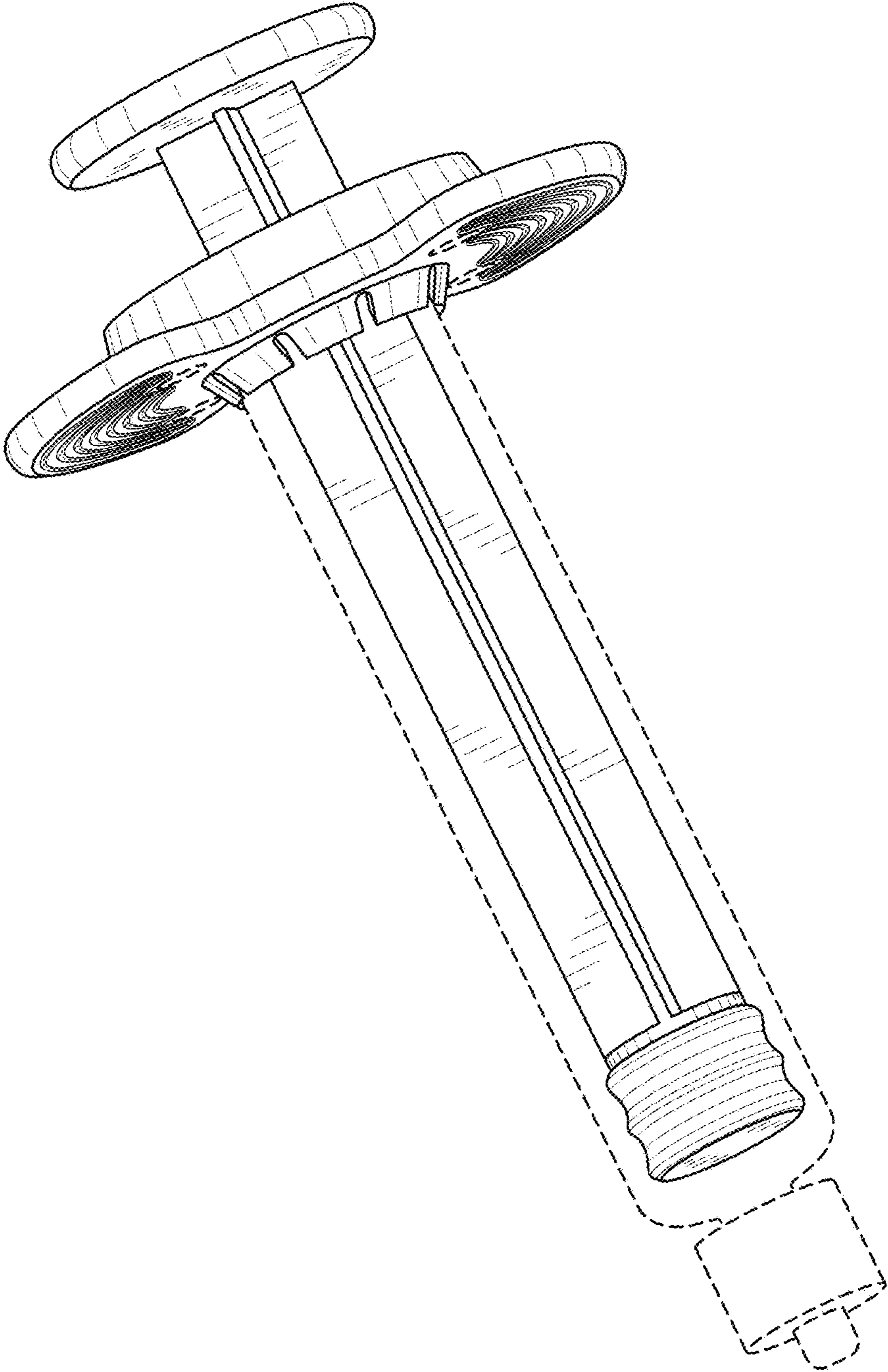


FIG. 1

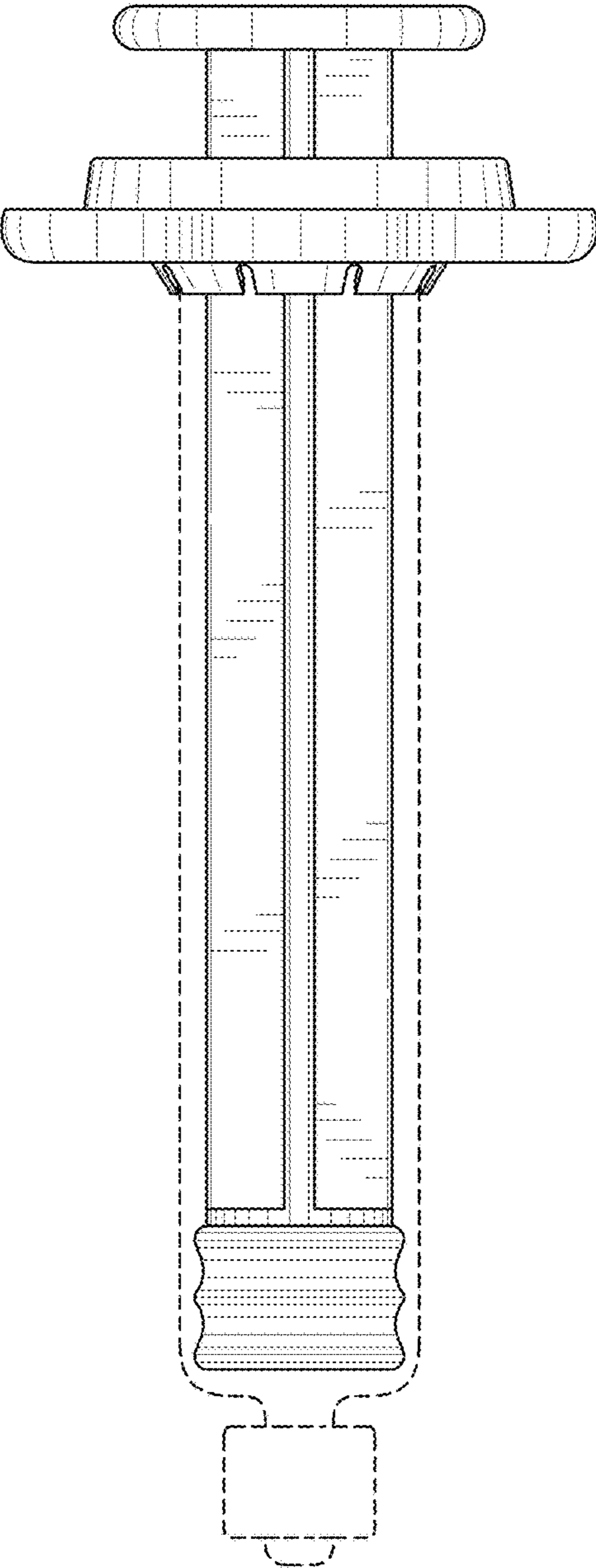


FIG. 2

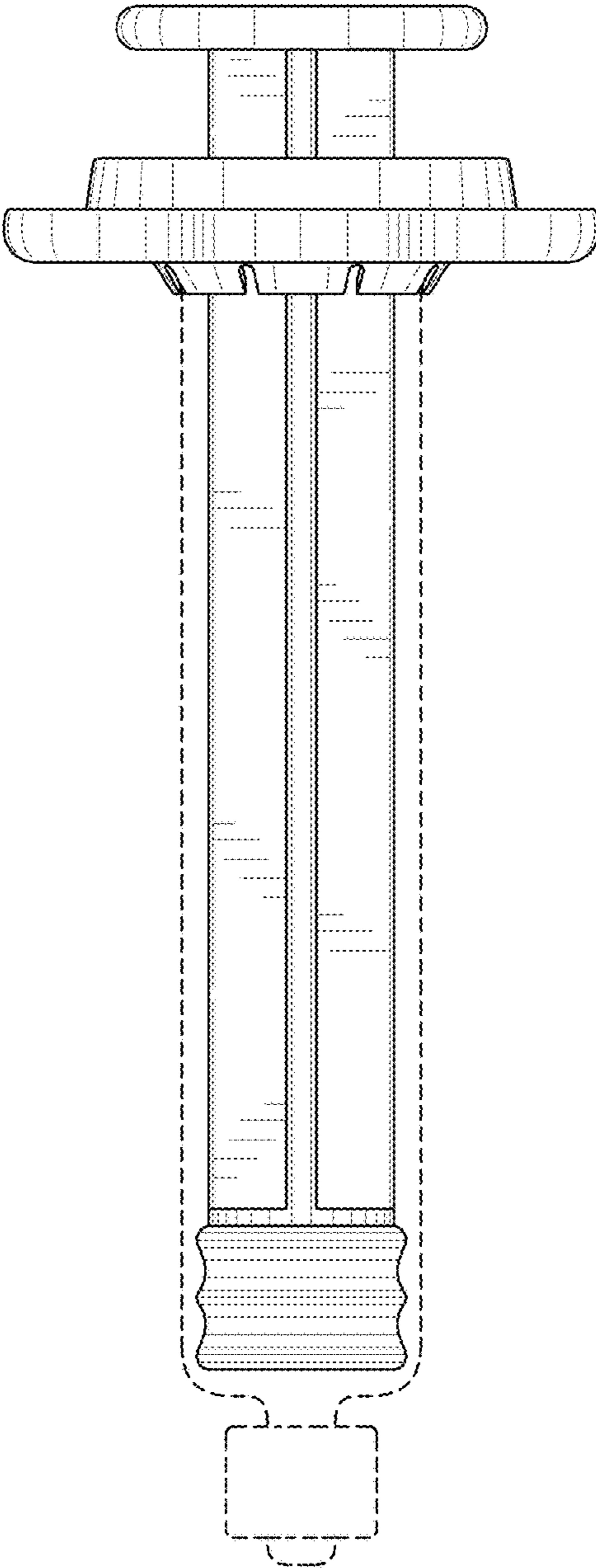


FIG. 3

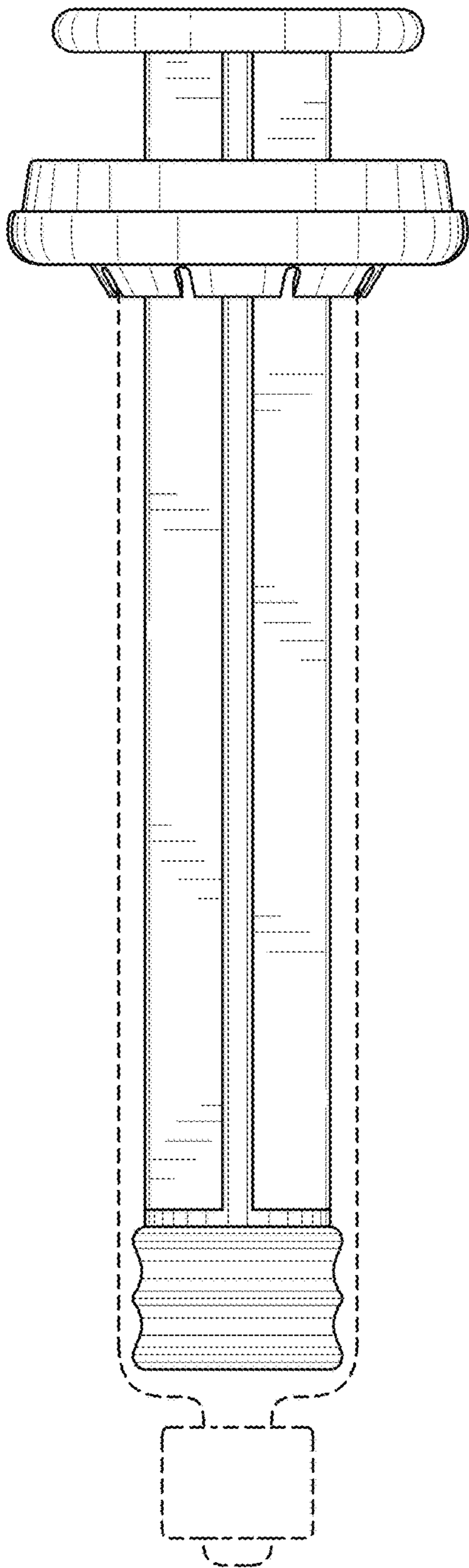


FIG. 4

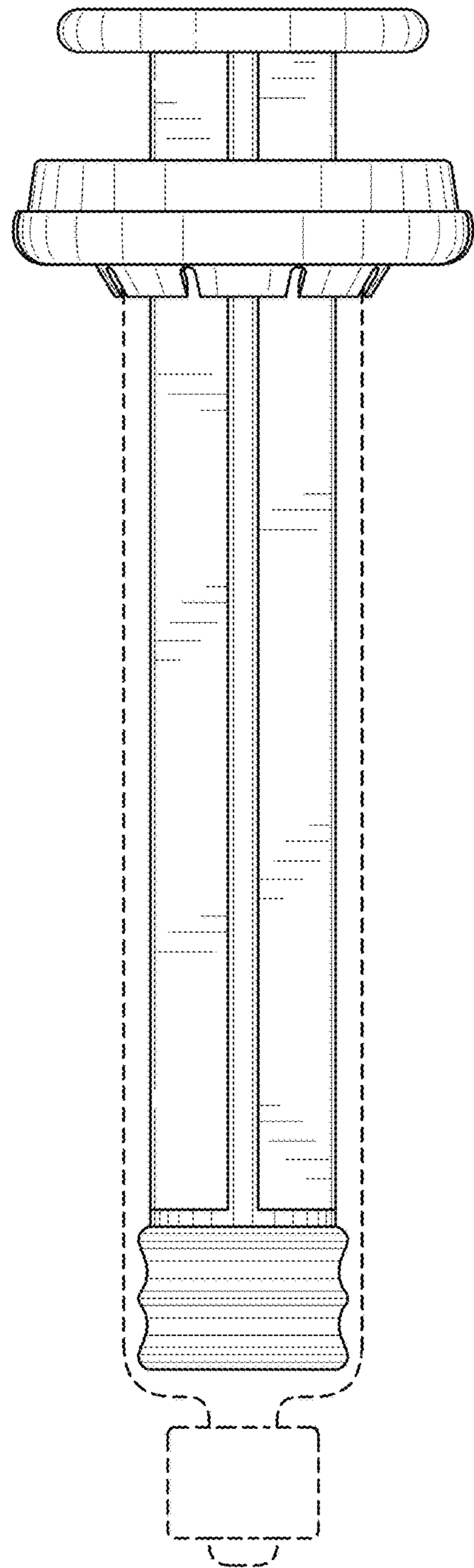


FIG. 5

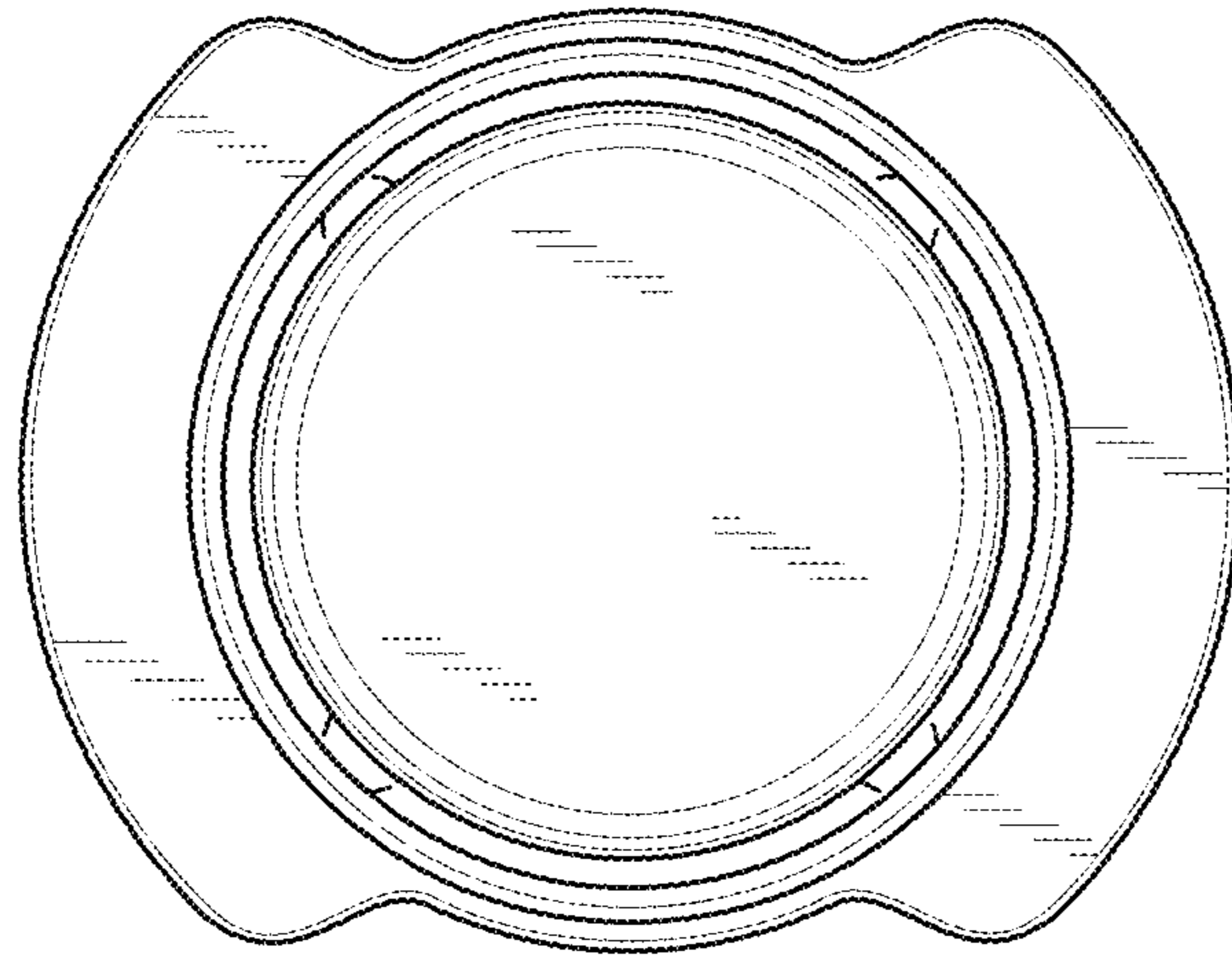


FIG. 6

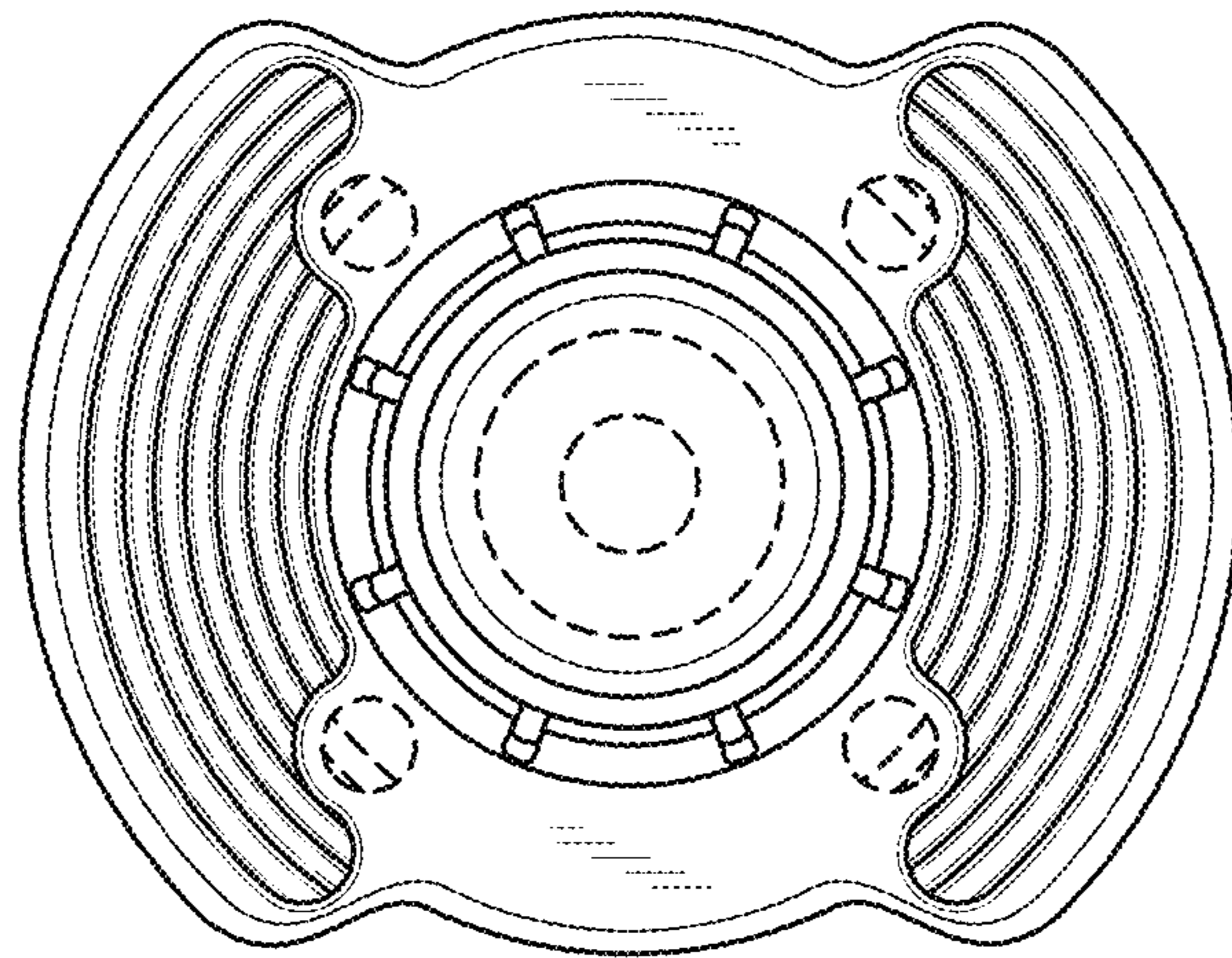


FIG. 7