



US00D775322S

(12) **United States Design Patent** (10) **Patent No.:** **US D775,322 S**
Walker et al. (45) **Date of Patent:** **** Dec. 27, 2016**

(54) **RESPIRATOR MASK FACE SEAL WITH SURFACE PATTERN**

FOREIGN PATENT DOCUMENTS

(71) Applicant: **3M INNOVATIVE PROPERTIES COMPANY**, St. Paul, MN (US)

EP 1614361 1/2006
GB 2163056 2/1986

(Continued)

(72) Inventors: **Garry J. Walker**, Stockton-on-Tees (GB); **Steven Bailey**, Whitley Bay (GB); **Peter Masters**, Blyth (GB)

OTHER PUBLICATIONS

(73) Assignee: **3M Innovative Properties Company**, St. Paul, MN (US)

Circle with Segments—Squared Circle. Monceau. Flickr.com. Jan. 1, 2013. <<https://www.flickr.com/photos/monceau/8357857191/in/photostream/>>.*

(Continued)

(**) Term: **14 Years**

Primary Examiner — Barbara Fox
Assistant Examiner — Lilyana Bekic

(21) Appl. No.: **29/516,289**

(22) Filed: **Jan. 30, 2015**

(57) **CLAIM**

(51) **LOC (10) Cl.** **29-02**

The ornamental design for a respirator mask face seal with surface pattern, as shown and described.

(52) **U.S. Cl.**

USPC **D24/110.1**

DESCRIPTION

(58) **Field of Classification Search**

USPC D24/110.1–110.4, 110.6, 127, 189;
D29/102, 105, 107, 108, 110; D23/332,
D23/335, 355, 356, 366, 388, 412;
D21/324; D2/908; D5/2–4, 7, 15–17, 29,
D5/32, 39, 59–61

CPC A62B 18/00; A62B 18/02; A62B 18/025;
A62B 18/08; A62B 18/10; A62B 23/00;
A62B 23/02; A62B 23/025; A62B 23/06;
A41D 13/11; A61M 16/0622; A61M
16/0616; A61M 16/0816; A61M 16/08;
A61M 16/0633; A61M 16/0666; A61M
2210/0618; A61M 16/0683

See application file for complete search history.

The subject matter disclosed herein is related to subject matter disclosed in PCT Patent Application No. PCT/US14/50847, which is incorporated herein by reference in its entirety.

FIG. 1 is a left front perspective view of a respirator mask face seal with surface pattern showing the new design, showing the face seal attached to a respirator mask;

FIG. 2 is a front plan view thereof;

FIG. 3 is a front view of the respirator mask;

FIG. 4 is a top plan view of FIG. 1;

FIG. 5 is a bottom plan view thereof; and,

FIG. 6 is a left side view thereof, the right side being a mirror image of this view.

The broken line showing of the respirator mask illustrates the environment of the claimed design and forms no part thereof. All other broken lines illustrate portions of the respirator mask face seal with surface pattern that form no part of the claimed design.

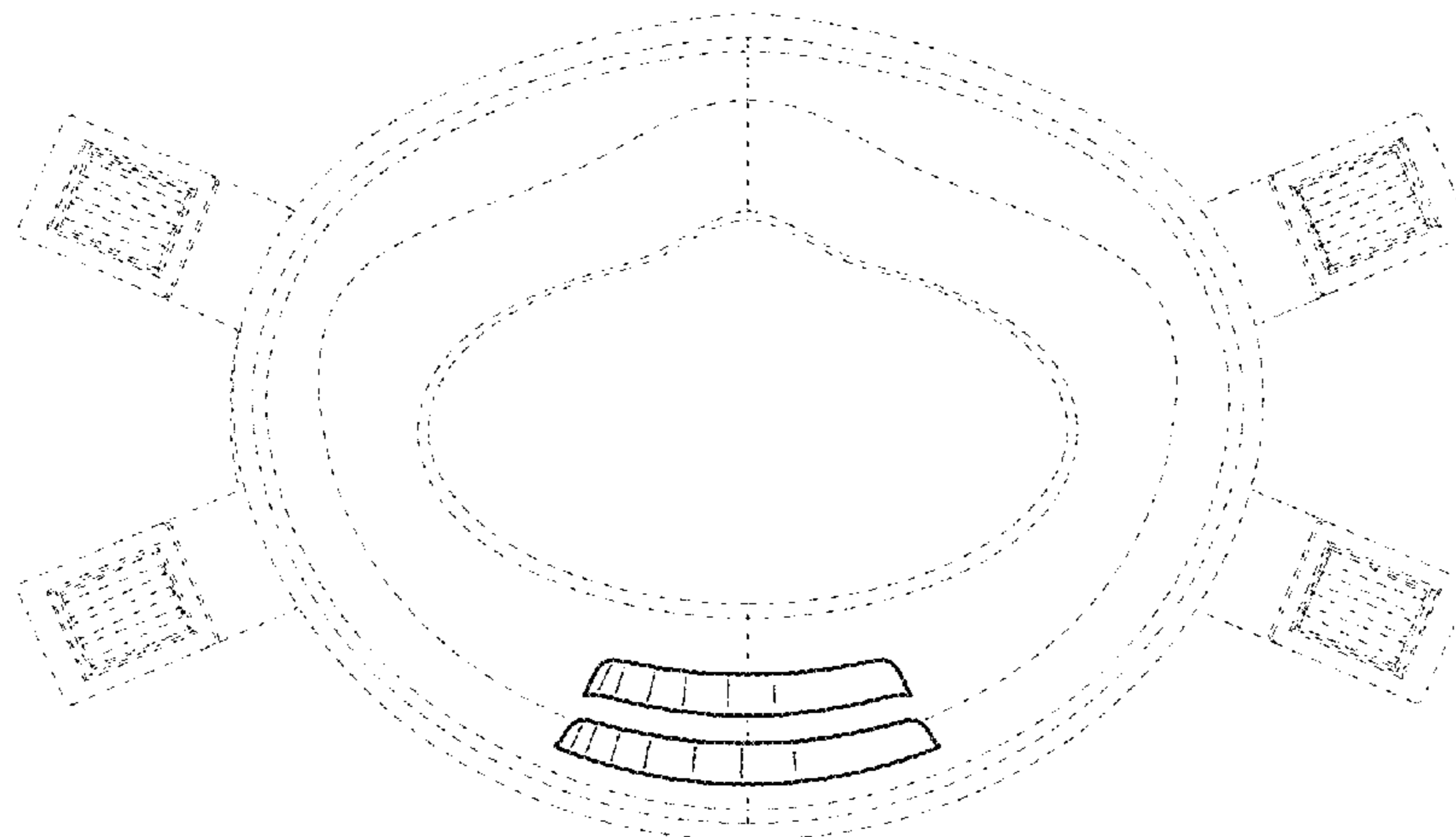
(56) **References Cited**

U.S. PATENT DOCUMENTS

D268,105 S * 3/1983 Schinella D12/211
4,454,881 A 6/1984 Huber

(Continued)

1 Claim, 3 Drawing Sheets



(56)

References Cited

U.S. PATENT DOCUMENTS

D281,481 S * 11/1985 Geiser D7/359
 D291,684 S * 9/1987 Reid D12/209
 4,850,347 A 7/1989 Skov
 4,873,972 A 10/1989 Magidson
 H1360 H * 10/1994 Grove A62B 17/04
 128/201.23
 D392,152 S * 3/1998 Rae D7/354
 D421,117 S * 2/2000 Hunter D24/110.1
 6,176,239 B1 * 1/2001 Grove A62B 18/02
 128/201.15
 D441,081 S * 4/2001 Mueller D24/135
 D458,797 S * 6/2002 Kellermann D7/360
 D498,748 S * 11/2004 Borsboom D14/218
 D528,658 S * 9/2006 Mueller D24/189
 D544,468 S * 6/2007 Anandpura D14/218
 D552,925 S * 10/2007 Kloppsteck D7/361
 D562,060 S * 2/2008 Kloppsteck D7/361
 D589,707 S * 4/2009 Kannabiran D5/56
 D607,803 S * 1/2010 Kang D12/209
 D618,962 S * 7/2010 Liming D7/396.2
 D621,514 S * 8/2010 Wightman D24/186
 D623,423 S * 9/2010 Mercer D5/59
 D659,821 S * 5/2012 Spoo D24/110.1
 D665,493 S * 8/2012 Skipper D24/110.1
 D666,364 S * 8/2012 Votel D29/108
 D679,000 S * 3/2013 Skipper D24/110.1
 D721,169 S * 1/2015 Moon D24/110.1
 D721,181 S * 1/2015 Schiebl D24/189
 D725,915 S * 4/2015 Haverfield D5/59
 D725,916 S * 4/2015 Haverfield D5/60
 D731,387 S * 6/2015 Asare D12/209
 2006/0266364 A1 11/2006 Turdjian
 2008/0168996 A1 * 7/2008 Willis A41D 13/1107
 128/863

2008/0271737 A1 * 11/2008 Facer A41D 13/11
 128/205.25
 2010/0199995 A1 8/2010 Howie
 2010/0319105 A1 * 12/2010 Fairbanks A41D 23/00
 2/209.13
 2011/0094515 A1 * 4/2011 Duffy A41D 13/1138
 128/206.19
 2014/0012119 A1 * 1/2014 Geaghan A61M 5/14248
 600/365
 2015/0297137 A1 * 10/2015 Welch A61B 5/6828
 600/344

FOREIGN PATENT DOCUMENTS

RU 86788 10/2013
 WO 99/30583 6/1999
 WO 2006/113163 10/2006
 WO 2015/026587 2/2015
 WO 2015/026588 2/2015
 WO 2015/026593 2/2015
 WO 2015/026595 2/2015

OTHER PUBLICATIONS

Stock Illustration—fish eye view on modern empty room with light from windows. CanStock Photo.com. Jan. 3, 2013. <<http://www.canstockphoto.com/fish-eye-view-on-modern-empty-room-with-12185798.html>>.*
 “Moldex Series 3000 Reusable Mask FFP3”, [retrieved from the internet on Feb. 25, 2015] URL< <https://www.tradetoolstore.com/moldex-series-3000-reusable-mask-ffp3-d-ventex-valve-blister-pack-mol3405bp.html>>.

* cited by examiner

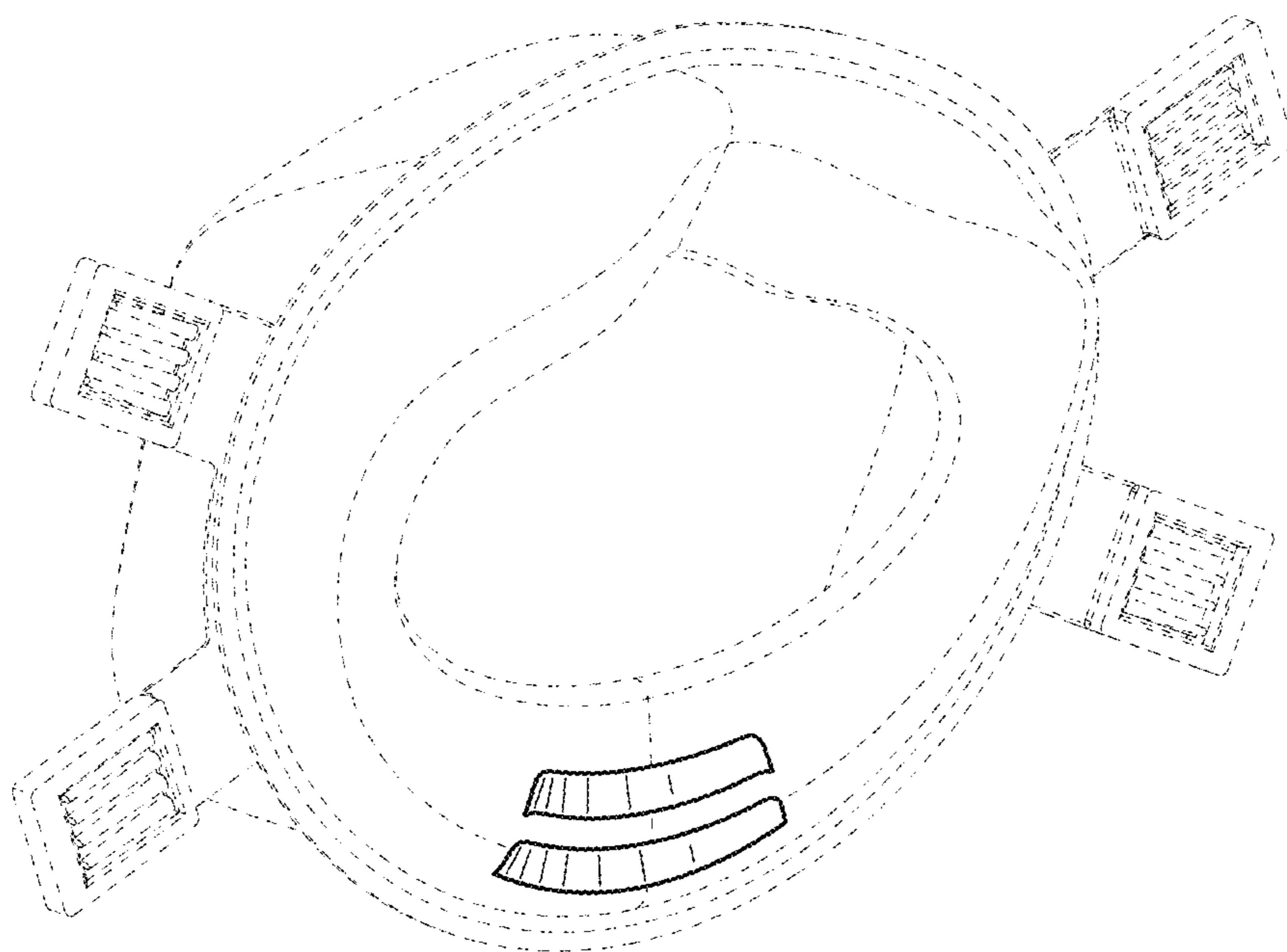


Fig. 1

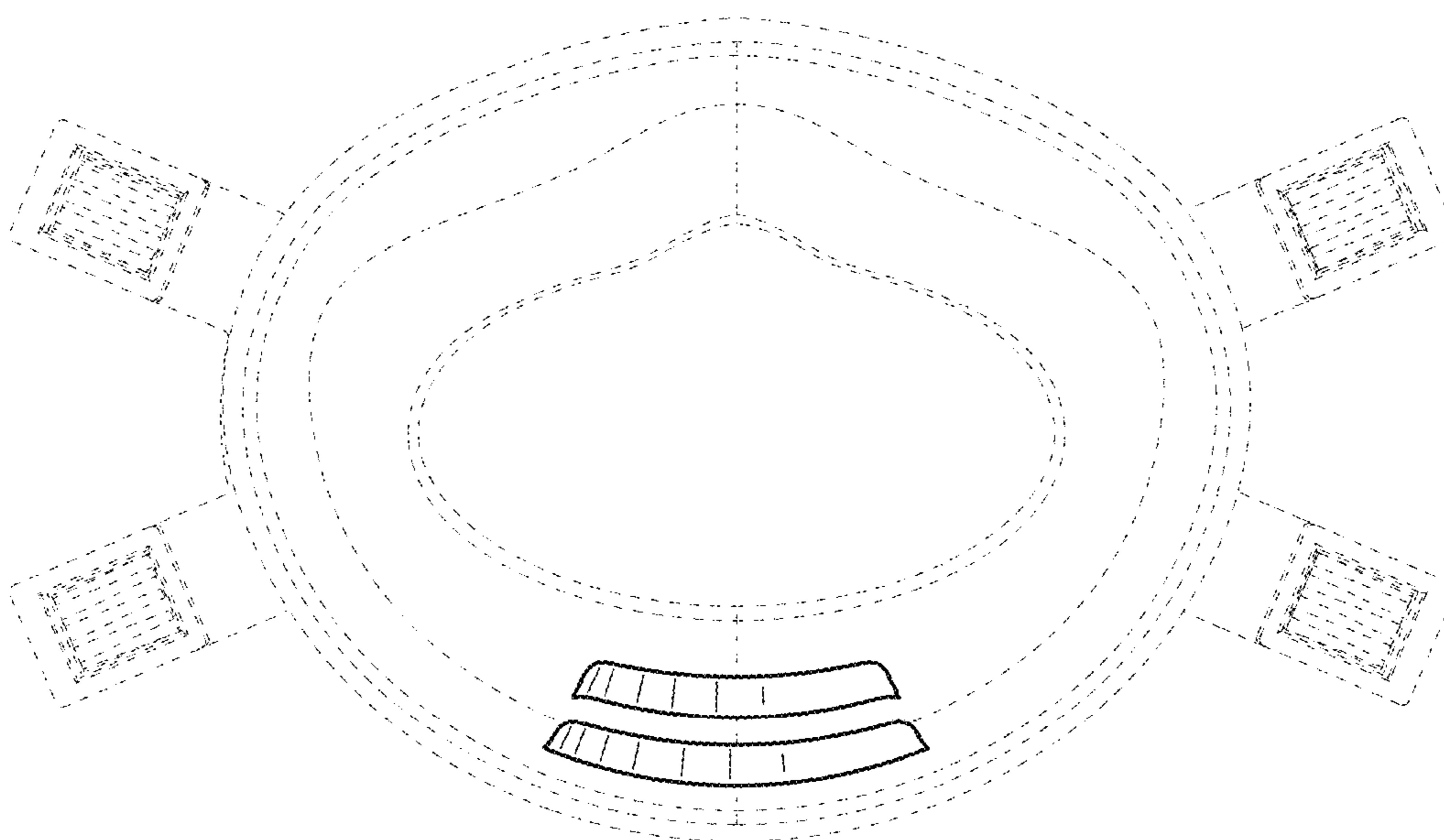


Fig. 2

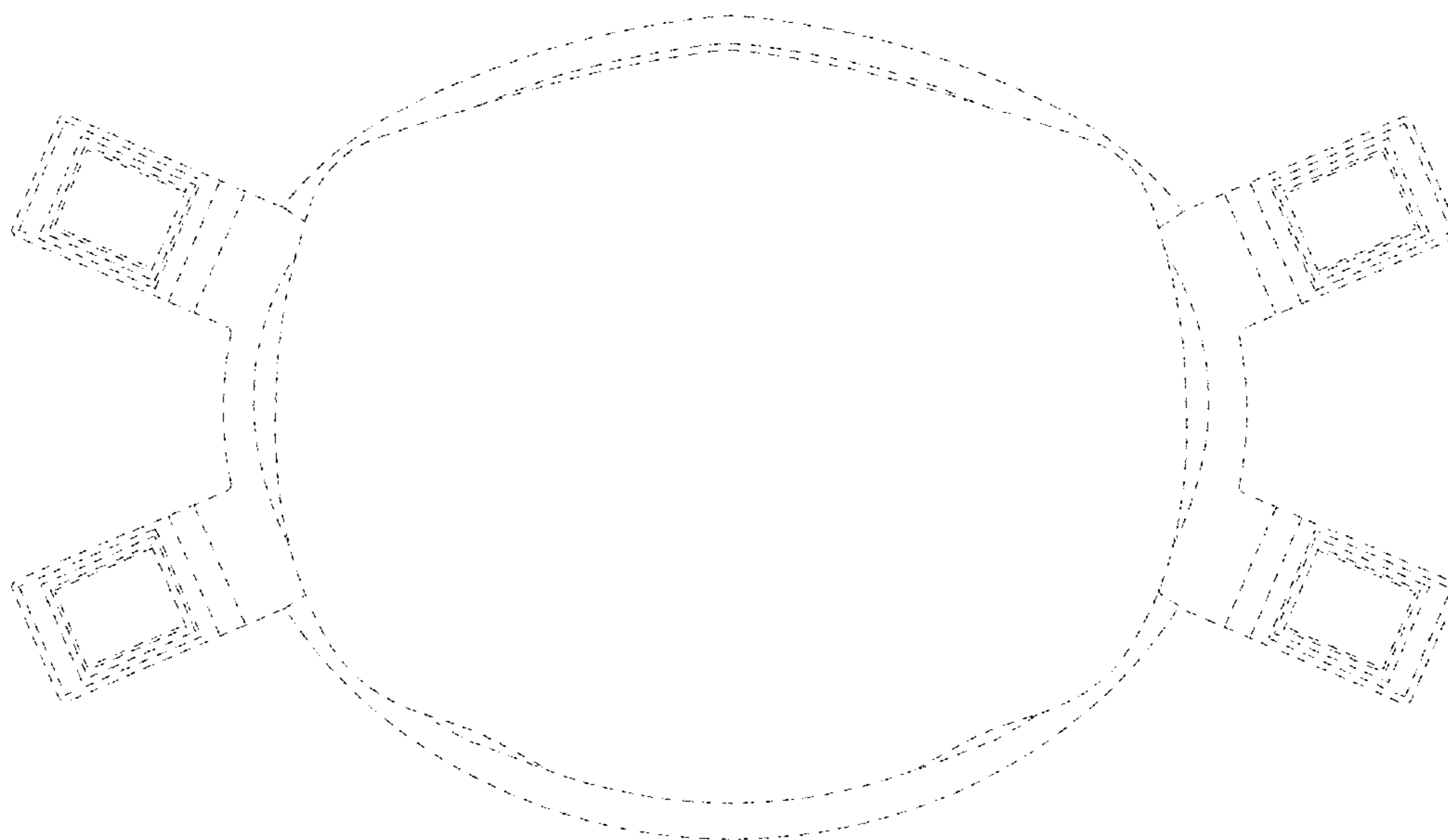


Fig. 3

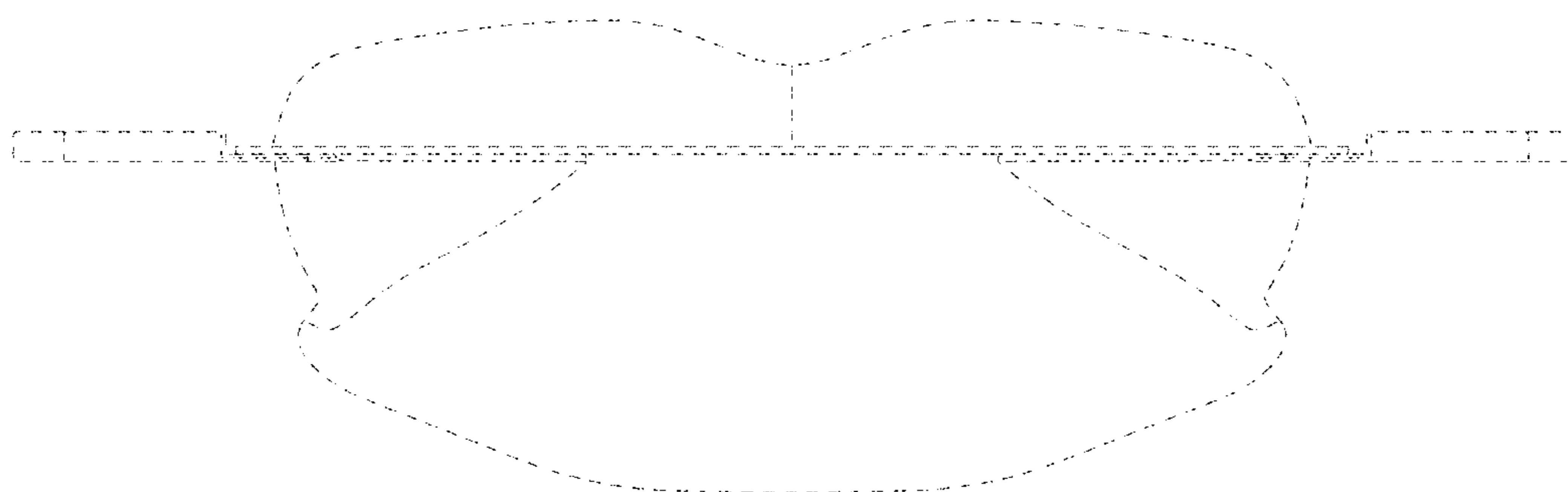


Fig. 4

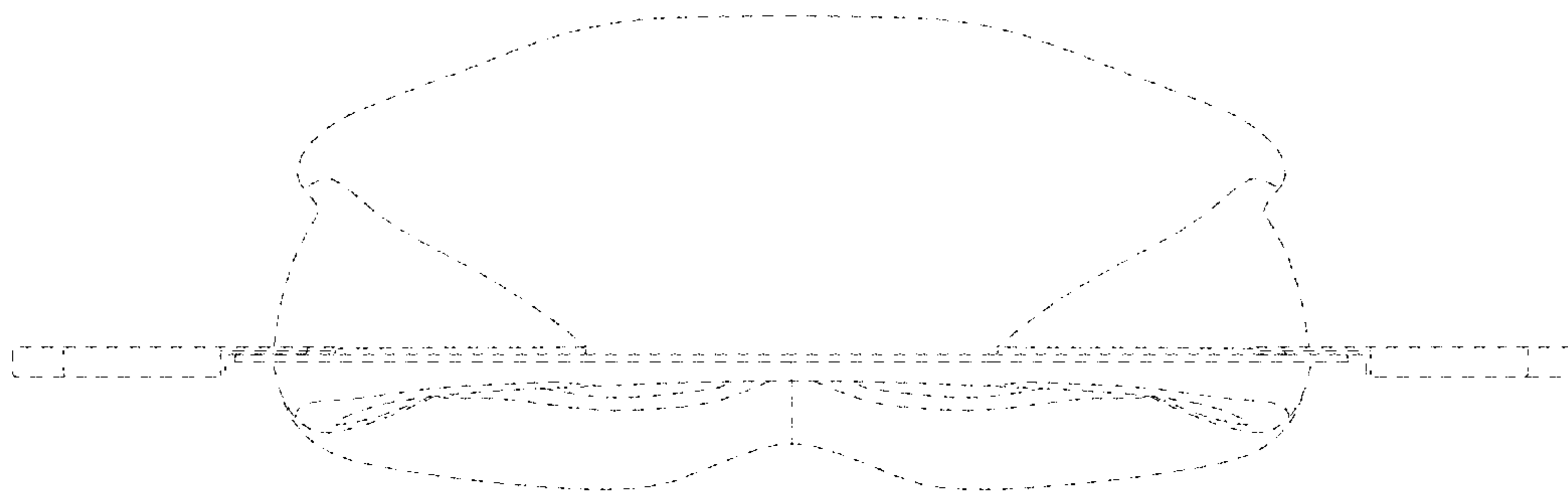


Fig. 5

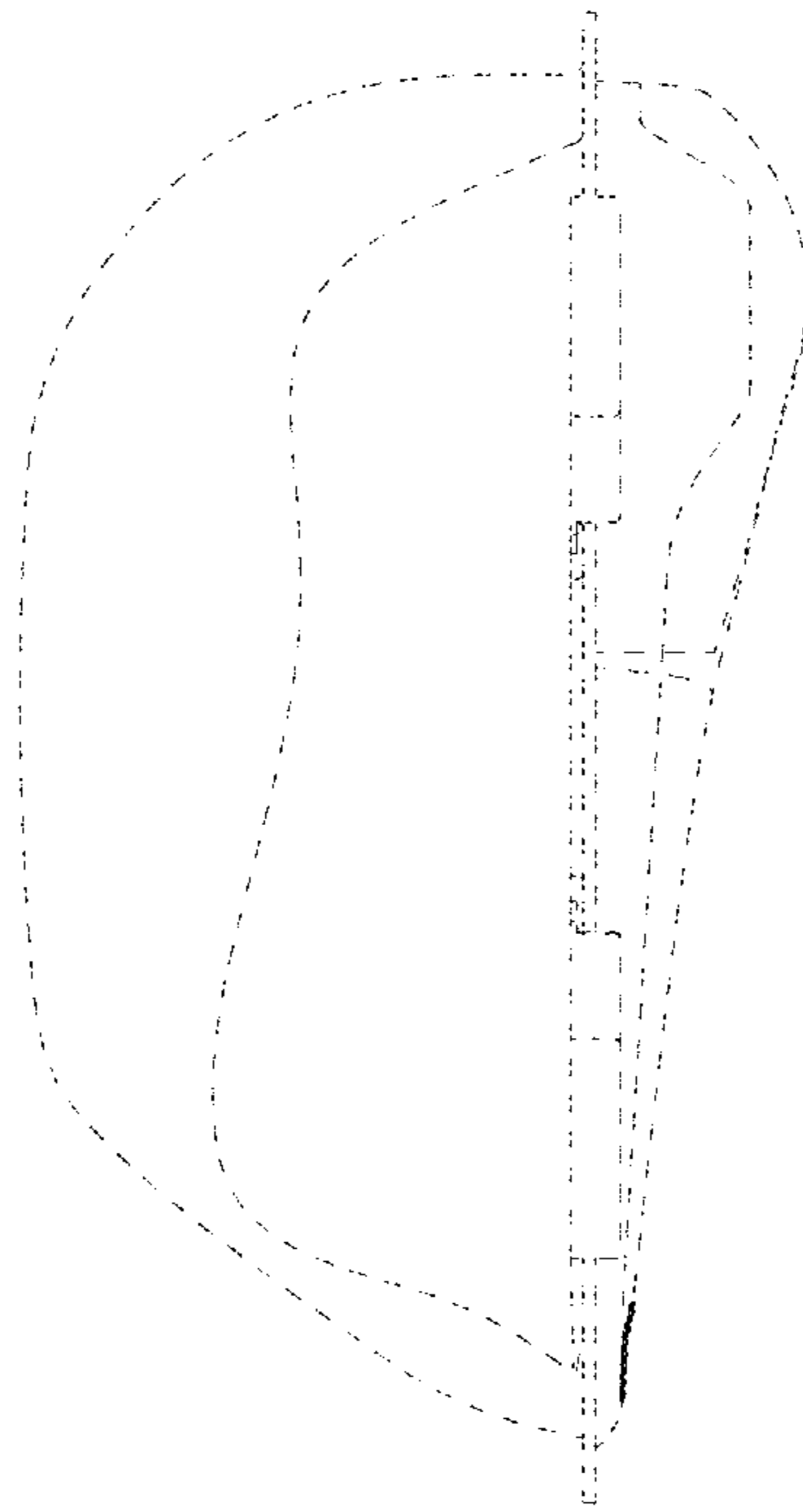


Fig. 6