



US00D775321S

(12) **United States Design Patent**  
**Haaf et al.**

(10) **Patent No.:** **US D775,321 S**

(45) **Date of Patent:** **\*\* Dec. 27, 2016**

(54) **VENTILATION GRID**

(71) Applicant: **ebm-papst Mulfingen GmbH & Co. KG**, Mulfingen (DE)

(72) Inventors: **Oliver Haaf**, Kupferzell (DE);  
**Thorsten Pissarczyk**, Gemmingen (DE); **Sven Beck**, Krautheim (DE);  
**Christian Weiss**, Mulfingen-Jagstberg (DE)

(73) Assignee: **EBM-PAPST MULFINGEN GMBH & CO. KG**, Mulfingen (DE)

(\*\*) Term: **14 Years**

(21) Appl. No.: **29/517,203**

(22) Filed: **Feb. 11, 2015**

(30) **Foreign Application Priority Data**

Aug. 25, 2014 (EM) ..... 002524538-0001  
Aug. 25, 2014 (EM) ..... 002524538-0002  
Aug. 25, 2014 (EM) ..... 002524538-0003  
Aug. 25, 2014 (EM) ..... 002524538-0004  
Aug. 25, 2014 (EM) ..... 002524538-0005  
Aug. 25, 2014 (EM) ..... 002524538-0006

(51) **LOC (10) Cl.** ..... **23-04**

(52) **U.S. Cl.**  
USPC ..... **D23/412**; D23/382

(58) **Field of Classification Search**  
USPC ..... D23/411-414, 212, 213, 223, 229, 380,  
D23/324, 330, 332, 335, 351, 353-369,  
D23/370-379, 381-386, 388, 390, 393,  
D23/499; D7/409, 667, 668; 454/241,  
454/248, 249, 254, 256, 264, 265, 275,  
454/277, 292, 296; 362/96; D14/140, 142,  
D14/148, 149, 172, 194, 195, 204, 209,  
D14/210, 215, 216, 217, 219, 225,  
D14/257, 496; D15/28; D26/119; D28/18;  
415/119; 416/247 R

CPC .... F04D 29/005; F04D 29/703; F04D 29/646;  
F04D 29/668; F04D 25/08; F24F 13/20;  
F24F 13/06; F24F 13/082; F24F 7/06;  
H04R 1/02; H04R 1/28; H04R 2201/021;  
B01D 2279/35; F16P 1/02

See application file for complete search history.

(56) **References Cited**

**U.S. PATENT DOCUMENTS**

D97,118 S \* 10/1935 Cohen ..... D23/412  
2,343,820 A \* 3/1944 Thornton ..... F24F 6/06  
239/220  
D182,209 S \* 2/1958 Stanley ..... D23/412  
2,857,095 A \* 10/1958 Suarez Grau ..... F04D 29/646  
248/126  
D195,974 S \* 8/1963 Spilman ..... D14/228  
D201,322 S \* 6/1965 Knapp ..... D23/412  
D261,803 S \* 11/1981 Bohanon, Jr. .... D23/393  
4,838,151 A \* 6/1989 Shin-Chin ..... F04D 25/12  
454/200  
D313,468 S \* 1/1991 Chaney ..... D23/412

(Continued)

**FOREIGN PATENT DOCUMENTS**

DE 10111397 A1 \* 9/2002 ..... F04D 29/00  
DE 202014103877 U1 \* 10/2014 ..... F04D 29/70

*Primary Examiner* — Susan Bennett Hattan

*Assistant Examiner* — Marie Fast Horse

(74) *Attorney, Agent, or Firm* — Scully Scott Murphy and  
Presser; Frank Digiglio

(57) **CLAIM**

The ornamental design for a ventilation grid, as shown.

**DESCRIPTION**

FIG. 1 is a perspective view of a ventilation grid showing a first embodiment of our new and ornamental design;  
FIG. 2 is a front view thereof;  
FIG. 3 is a rear view thereof;  
FIG. 4 is a side view thereof;  
FIG. 5 is a perspective view of a second embodiment of our design;

(Continued)

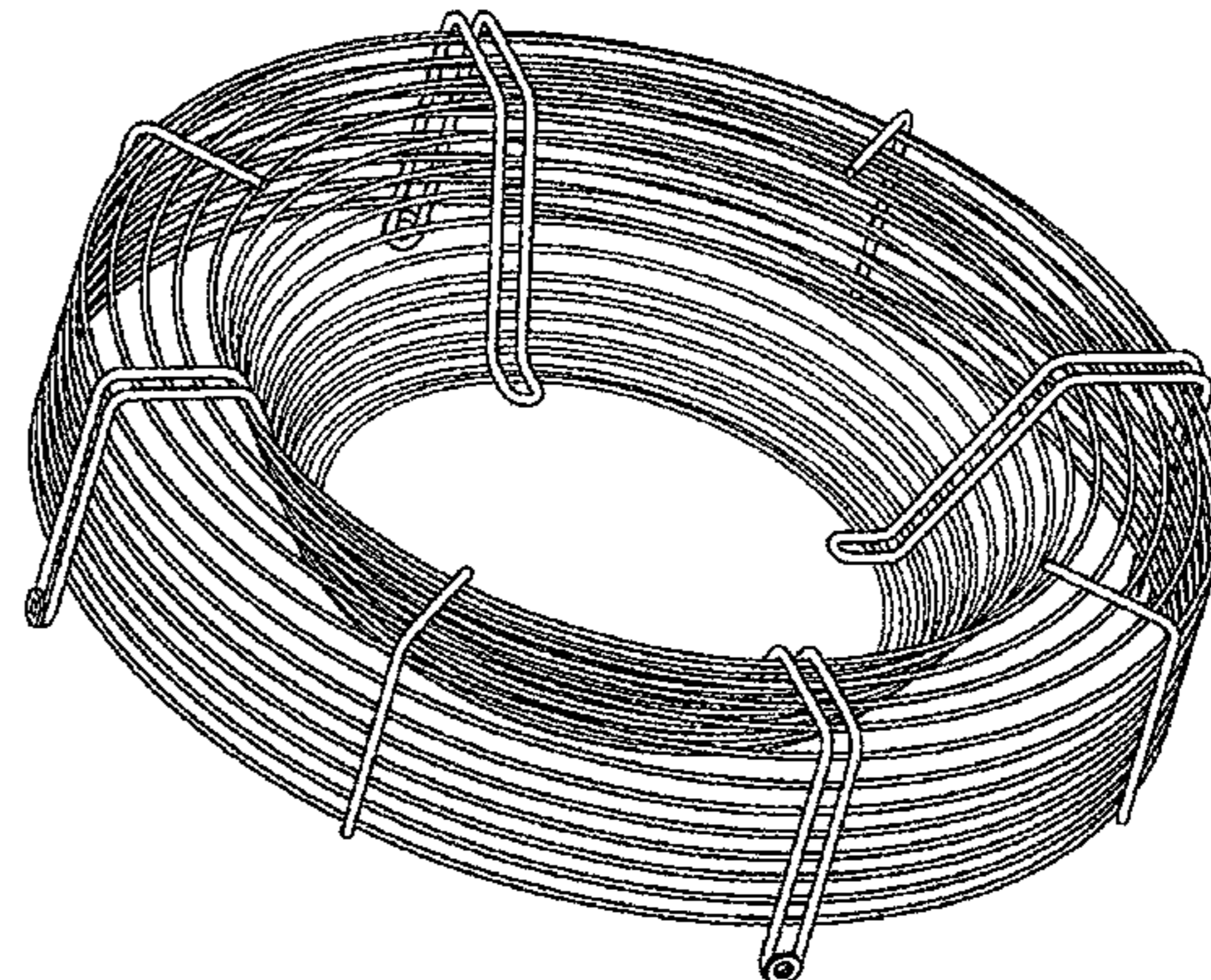
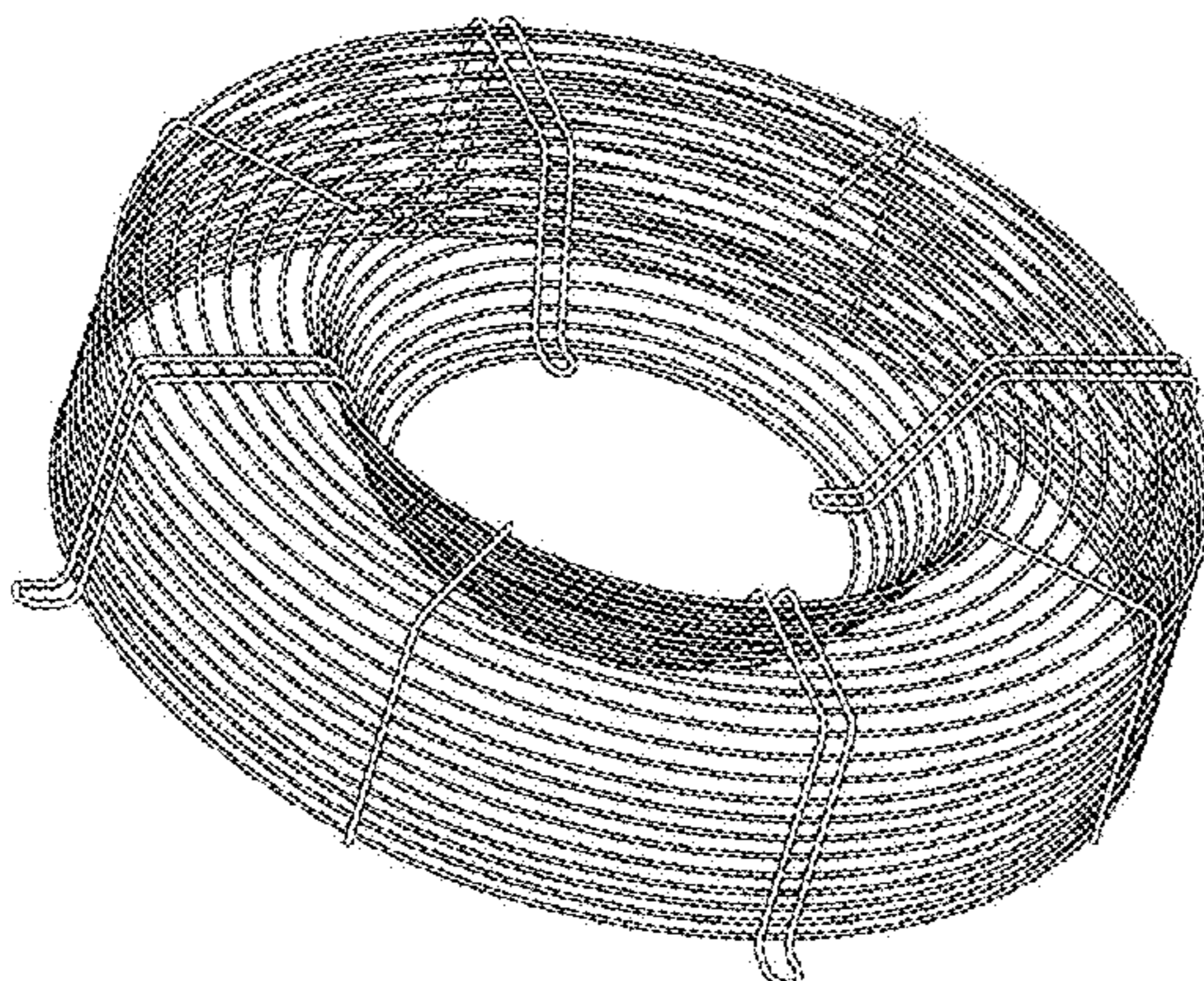


FIG. 6 is a front view of FIG. 5;  
 FIG. 7 is a rear view of FIG. 5; and,  
 FIG. 8 is a side view of FIG. 5.

**1 Claim, 4 Drawing Sheets**

(56)

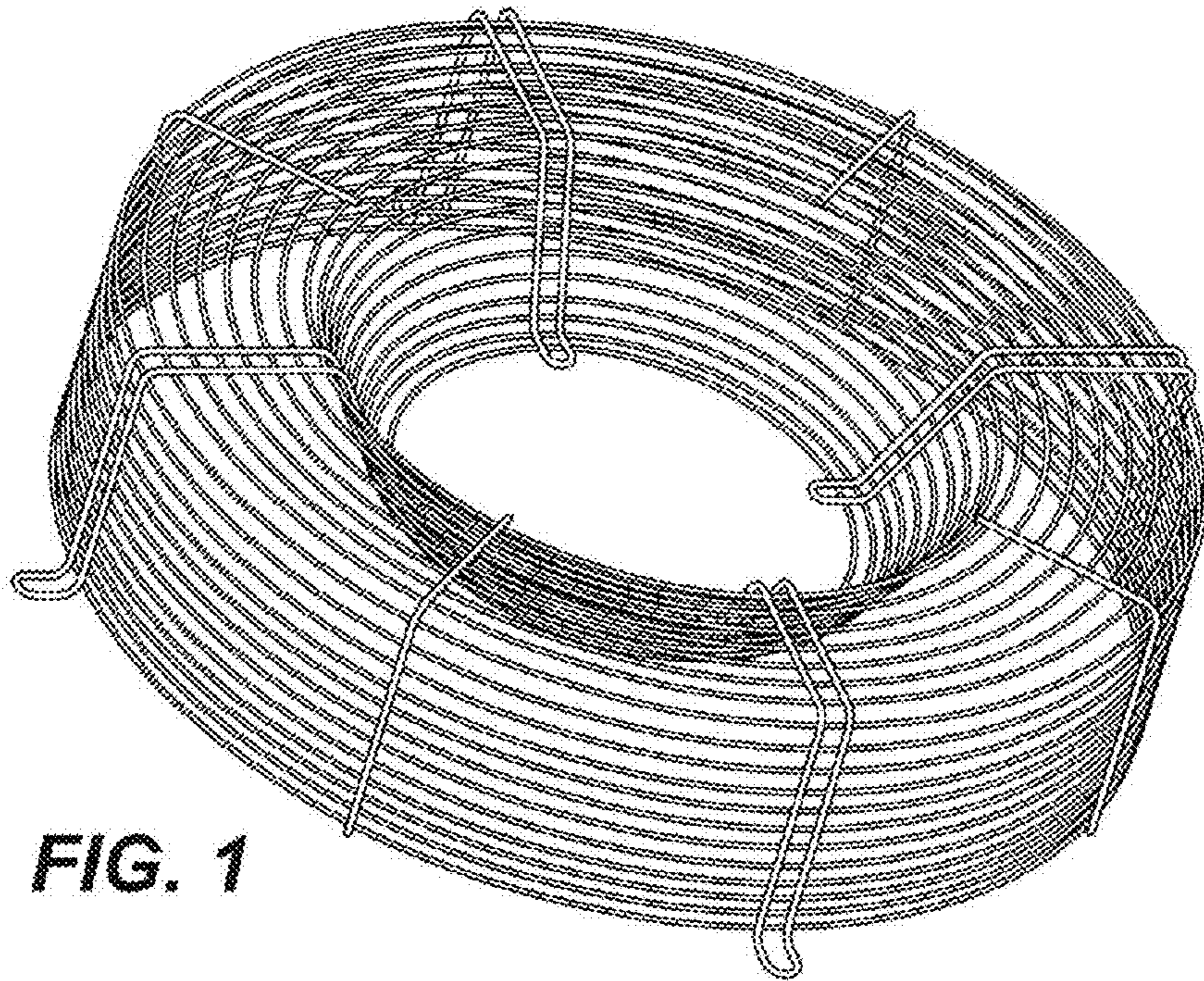
**References Cited**

U.S. PATENT DOCUMENTS

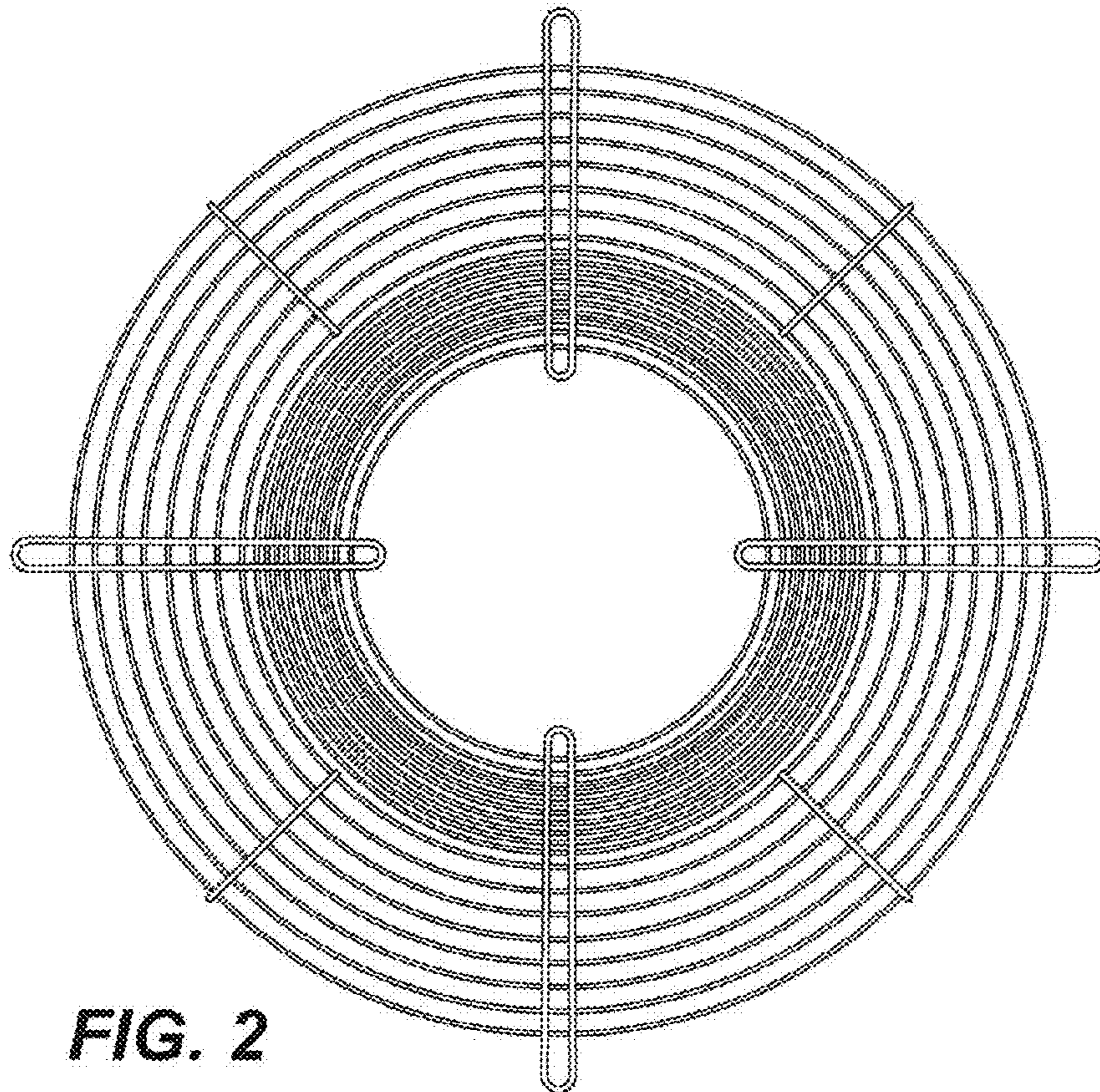
D391,359 S \* 2/1998 Teng ..... D23/328  
 6,036,444 A \* 3/2000 Barney ..... F04D 29/703  
 415/121.2  
 D435,095 S \* 12/2000 Nanjo ..... D23/351  
 D534,632 S \* 1/2007 David ..... D23/351  
 D594,965 S \* 6/2009 Bucher ..... D23/411  
 D604,822 S \* 11/2009 Lee ..... D23/351  
 D605,271 S \* 12/2009 Sata ..... D23/351  
 D607,981 S \* 1/2010 Yamaguchi ..... D23/351  
 D628,685 S \* 12/2010 Aoyama ..... D23/351  
 D629,097 S \* 12/2010 Aoyama ..... D23/412  
 D650,225 S \* 12/2011 Bartol ..... D7/354

D684,808 S \* 6/2013 Mehler ..... D7/354  
 D699,834 S \* 2/2014 Pan ..... D23/412  
 D733,495 S \* 7/2015 Tyson ..... D7/354  
 D734,986 S \* 7/2015 Cotter ..... D7/354  
 2005/0271516 A1 \* 12/2005 Chang ..... F04D 29/703  
 416/247 R  
 2006/0013694 A1 \* 1/2006 Eubank ..... F04D 29/703  
 416/247 R  
 2006/0073018 A1 \* 4/2006 Girod ..... F04D 29/023  
 416/146 R  
 2007/0092375 A1 \* 4/2007 Liu ..... F04D 25/08  
 416/63  
 2011/0002784 A1 \* 1/2011 Yu ..... F04D 25/105  
 416/100  
 2013/0004349 A1 \* 1/2013 Haaf ..... F04D 29/329  
 417/423.7  
 2013/0017073 A1 \* 1/2013 Sauer ..... F04D 29/646  
 415/182.1  
 2013/0022479 A1 \* 1/2013 Haaf ..... F04D 25/082  
 417/369  
 2013/0045085 A1 \* 2/2013 Frank ..... F04D 29/668  
 415/119  
 2013/0114245 A1 \* 5/2013 Todd, Jr. .... F21V 33/0096  
 362/96

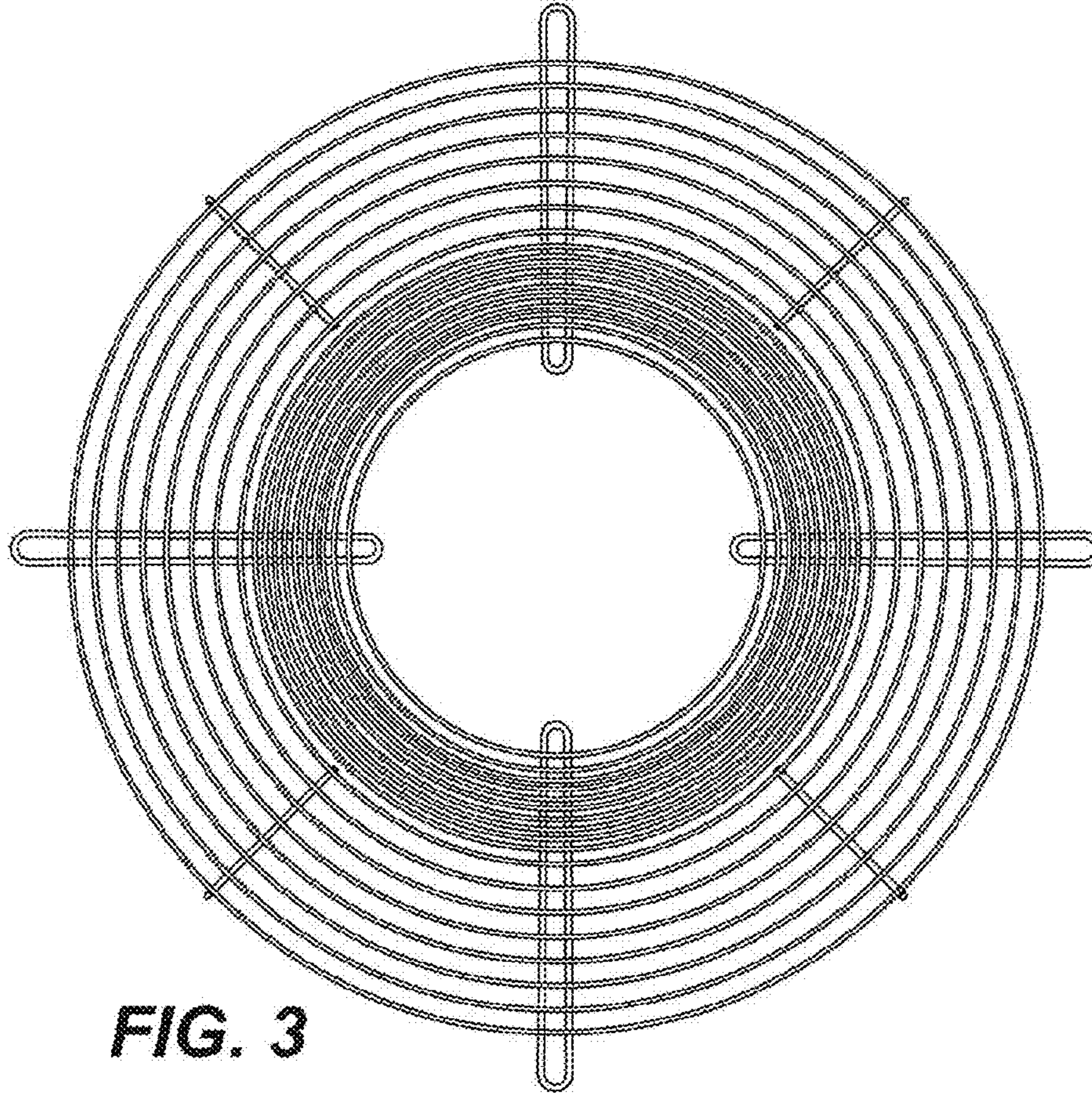
\* cited by examiner



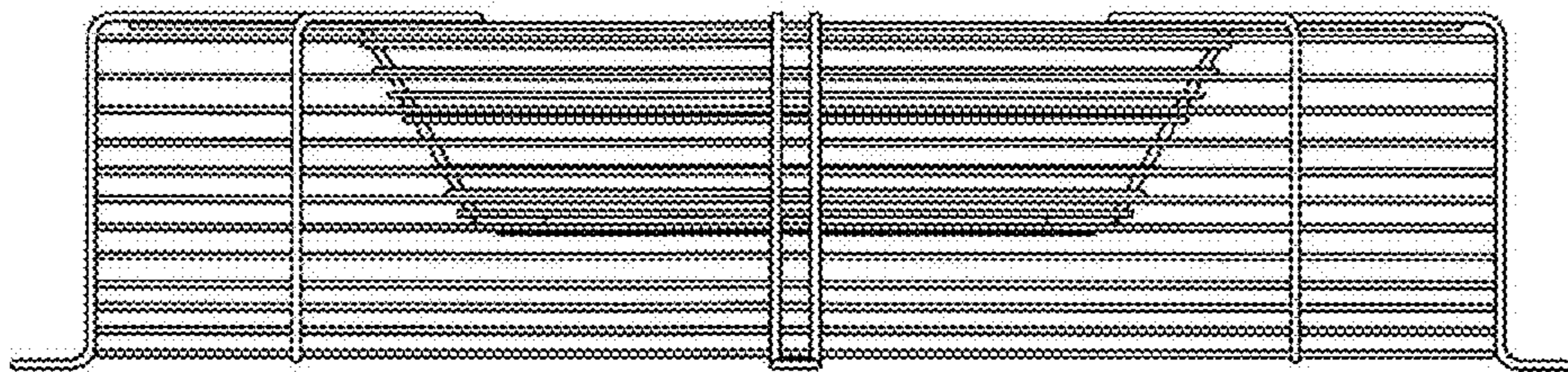
**FIG. 1**



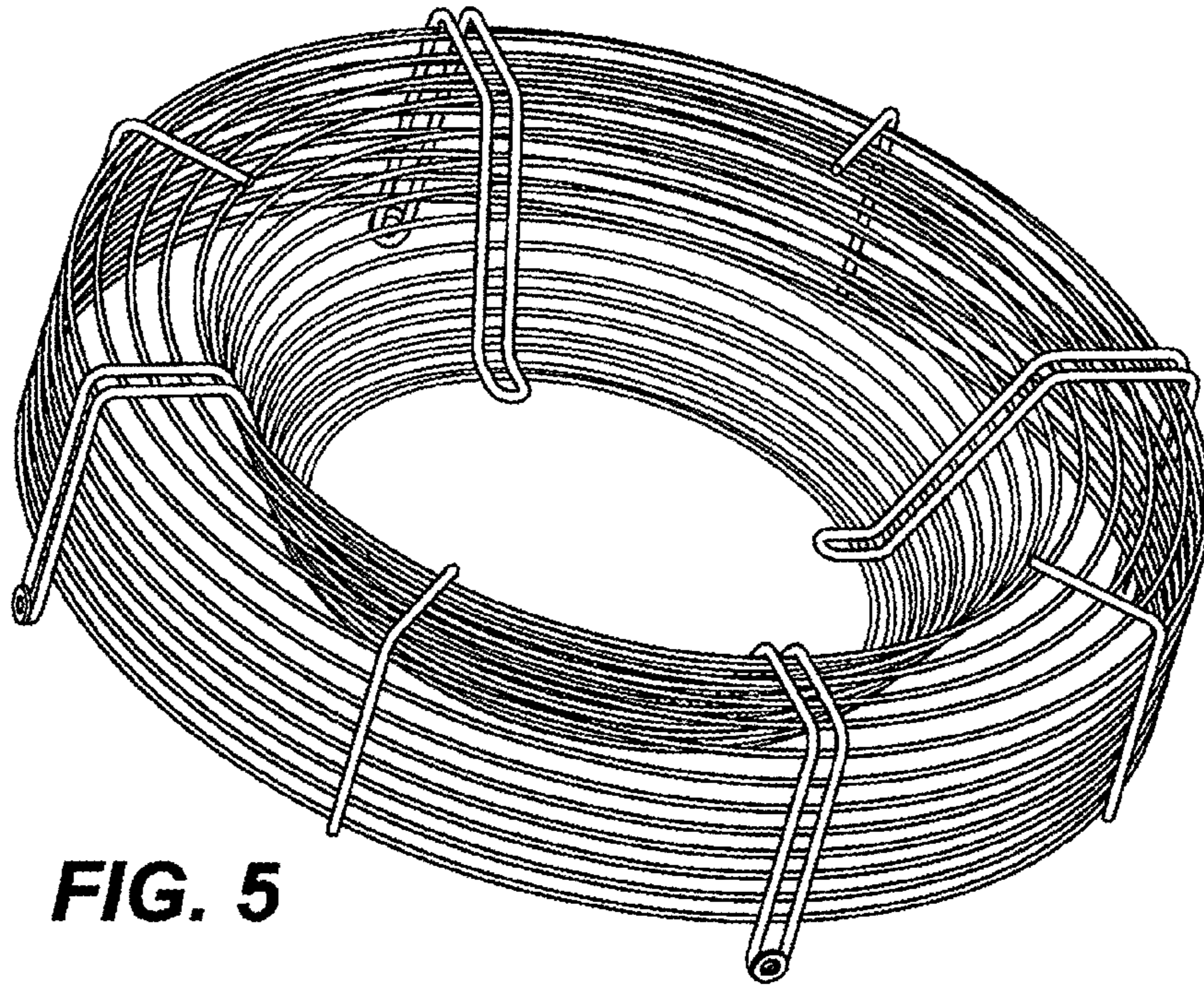
**FIG. 2**



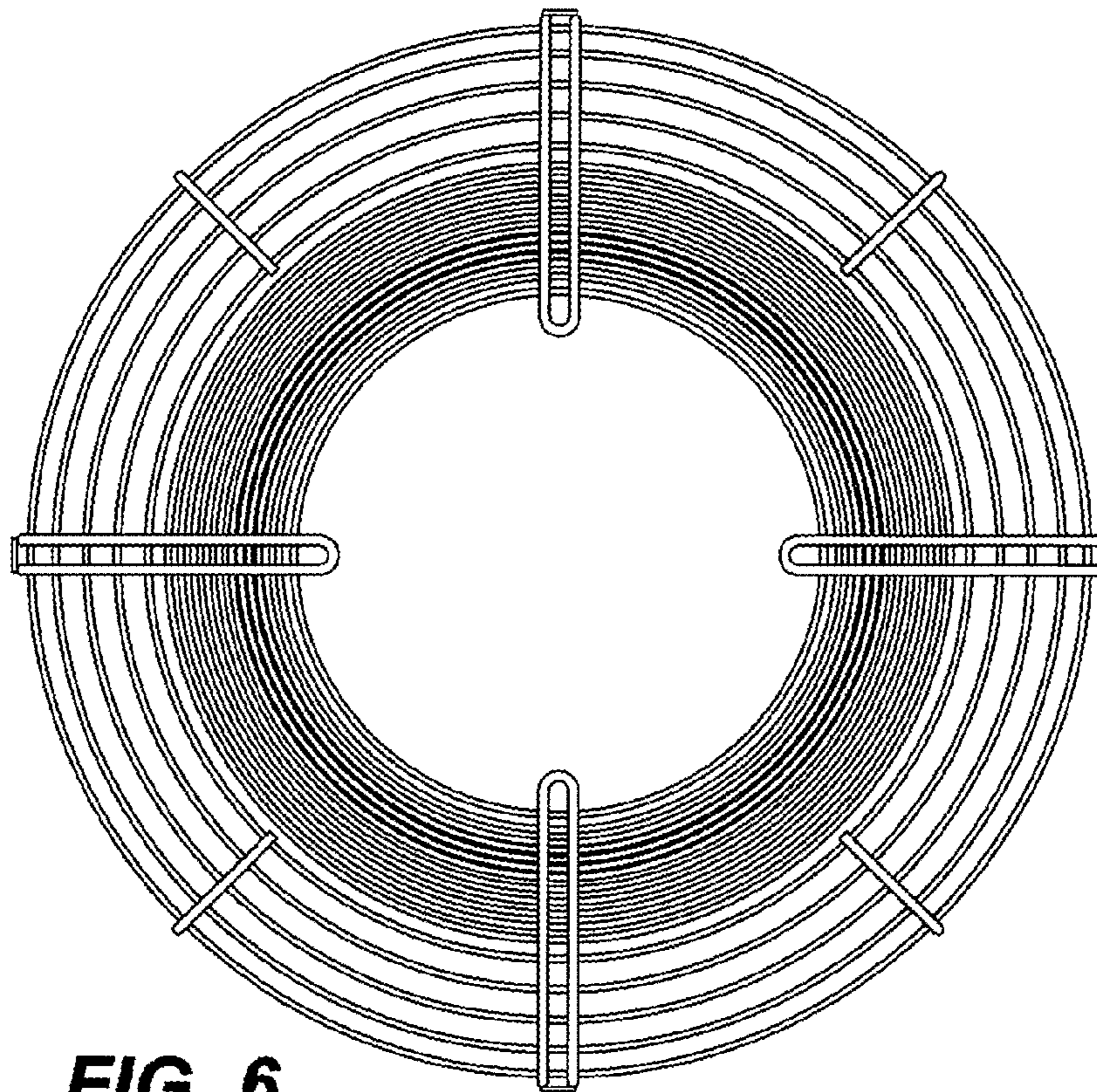
**FIG. 3**



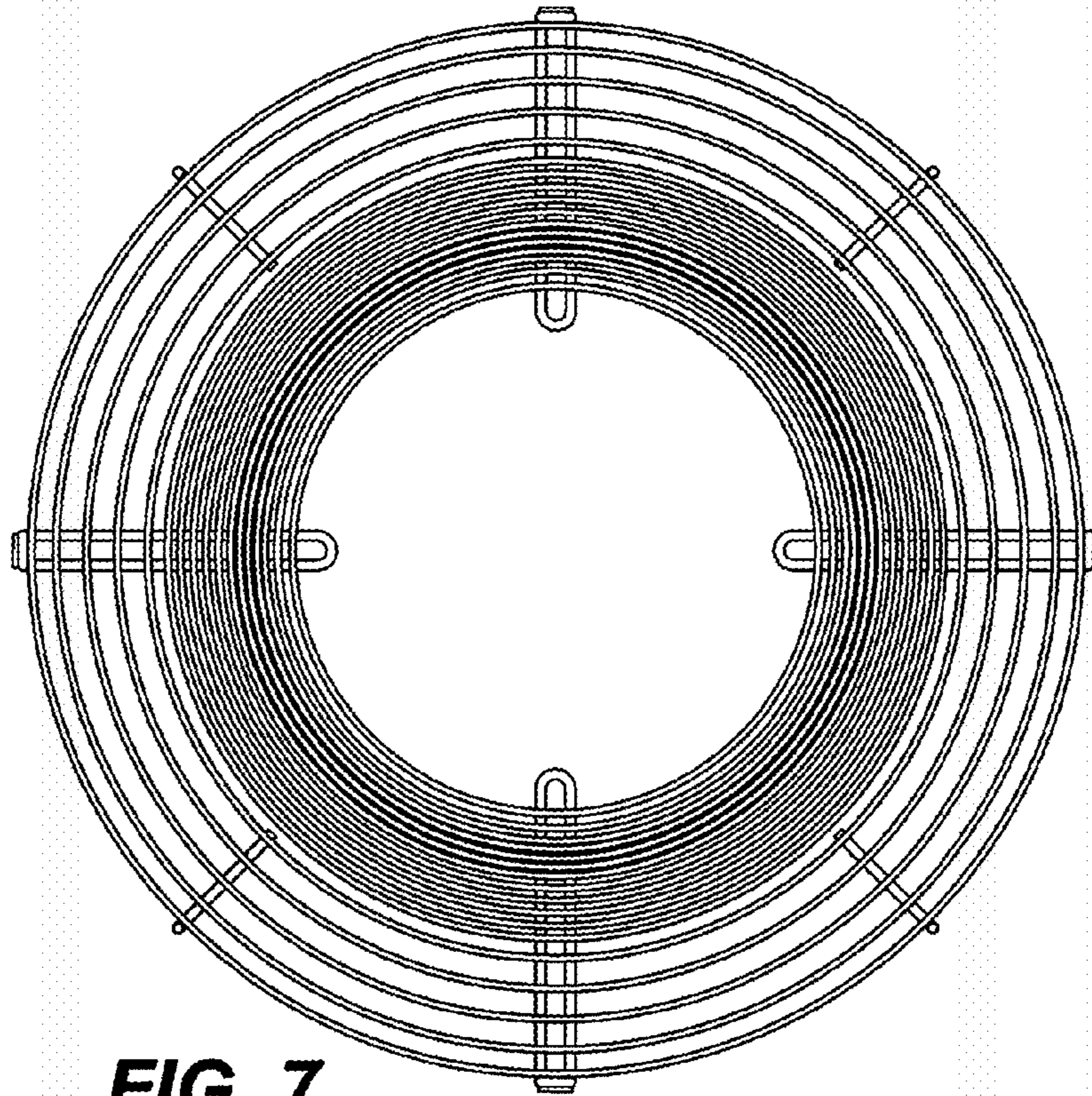
**FIG. 4**



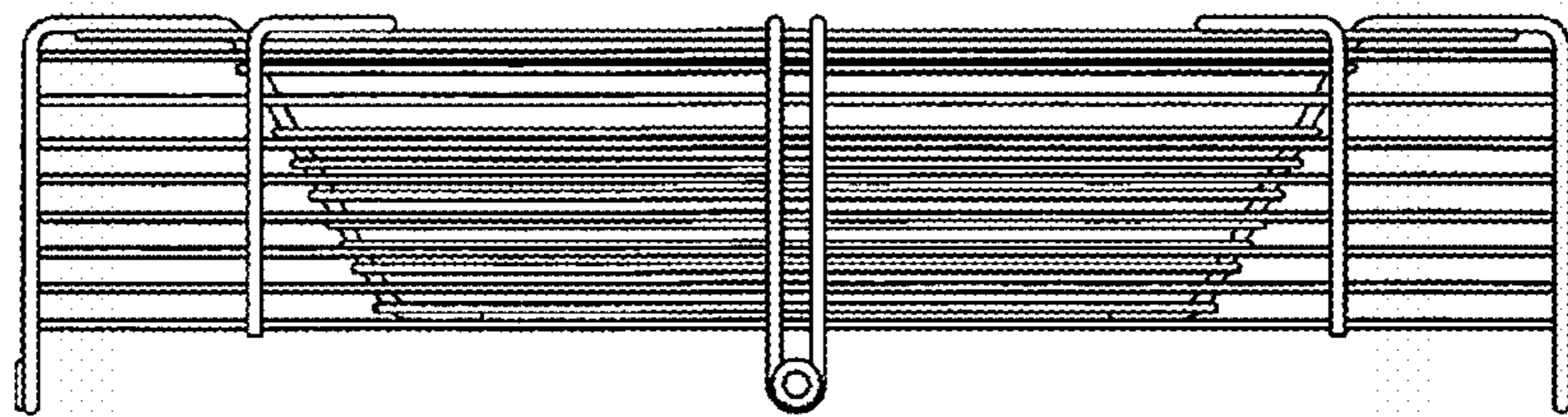
**FIG. 5**



**FIG. 6**



**FIG. 7**



**FIG. 8**