



US00D775319S

(12) **United States Design Patent**  
**Park et al.**

(10) **Patent No.:** **US D775,319 S**

(45) **Date of Patent:** **\*\* Dec. 27, 2016**

(54) **CEILING FAN WITH LIGHT**

(71) Applicant: **ZALMAN TECH CO., LTD.**,  
Anyang-si, Gyeonggi-do (KR)

(72) Inventors: **Sang Woong Park**, Suwon-si (KR);  
**Sang Il Park**, Seoul (KR); **Gi Won Eum**, Seoul (KR)

(73) Assignee: **ZALMAN TECH CO., LTD.**,  
Anyang-si, Gyeonggi-do (KR)

(\*\*) Term: **14 Years**

(21) Appl. No.: **29/522,279**

(22) Filed: **Mar. 30, 2015**

(30) **Foreign Application Priority Data**

Sep. 30, 2014 (KR) ..... 30-2014-0047365

(51) **LOC (10) Cl.** ..... **23-04**

(52) **U.S. Cl.**  
USPC ..... **D23/385**; D26/59

(58) **Field of Classification Search**  
USPC ..... D23/351, 370, 371, 381, 385, 386, 388,  
D23/411, 412; D26/59, 72, 74, 89, 118,  
D26/119

CPC .... F24F 13/28; F24F 7/007; F24F 2001/0037;  
F24F 7/10; F24F 13/06; F24F  
13/078; F21V 33/0088

See application file for complete search history.

(56) **References Cited**

**U.S. PATENT DOCUMENTS**

D98,308 S \* 1/1936 Floraday ..... D26/36  
D328,650 S \* 8/1992 Jones ..... D26/81

D349,778 S \* 8/1994 Johnson ..... D26/86  
D441,856 S \* 5/2001 Wettergren ..... D23/328  
D607,600 S \* 1/2010 Keith ..... D26/104  
D647,227 S \* 10/2011 Kaule ..... D26/24  
D655,849 S \* 3/2012 Sabernig ..... D26/85  
D655,850 S \* 3/2012 Sabernig ..... D26/85  
D658,604 S \* 5/2012 Egawa ..... D13/180  
D679,046 S \* 3/2013 Hoshino ..... D26/120  
D693,046 S \* 11/2013 Hokazono ..... D26/89  
D712,963 S \* 9/2014 Fleet ..... D19/113  
8,967,832 B2 \* 3/2015 Zakula ..... 362/249.02  
9,004,723 B2 \* 4/2015 Zakula ..... F21S 8/026  
362/249.02  
2012/0087128 A1 \* 4/2012 Zakula ..... F21V 33/0088  
362/249.02  
2012/0087132 A1 \* 4/2012 Zakula ..... F21S 8/026  
362/294

\* cited by examiner

*Primary Examiner* — Susan Bennett Hattan

*Assistant Examiner* — Janice Hallmark

(74) *Attorney, Agent, or Firm* — Ladas & Parry LLP

(57) **CLAIM**

The ornamental design for a ceiling fan with light, as shown and described.

**DESCRIPTION**

FIG. 1 is a perspective view of a ceiling fan with light showing our new design;  
FIG. 2 is a front elevational view thereof;  
FIG. 3 is a rear elevational view thereof;  
FIG. 4 is a left side elevational view thereof;  
FIG. 5 is a right side elevational view thereof; and,  
FIG. 6 is a top plan view thereof.

**1 Claim, 4 Drawing Sheets**

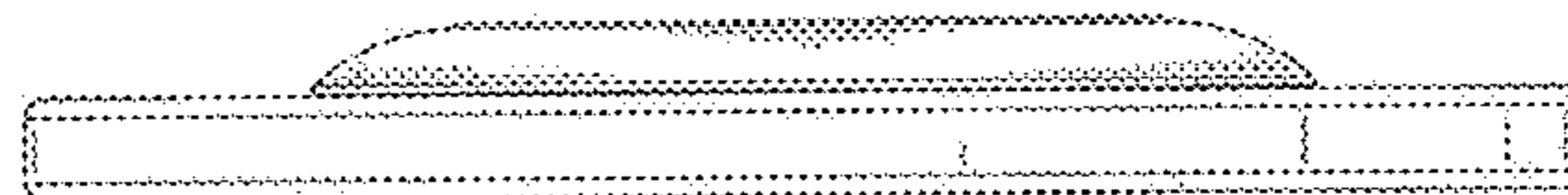
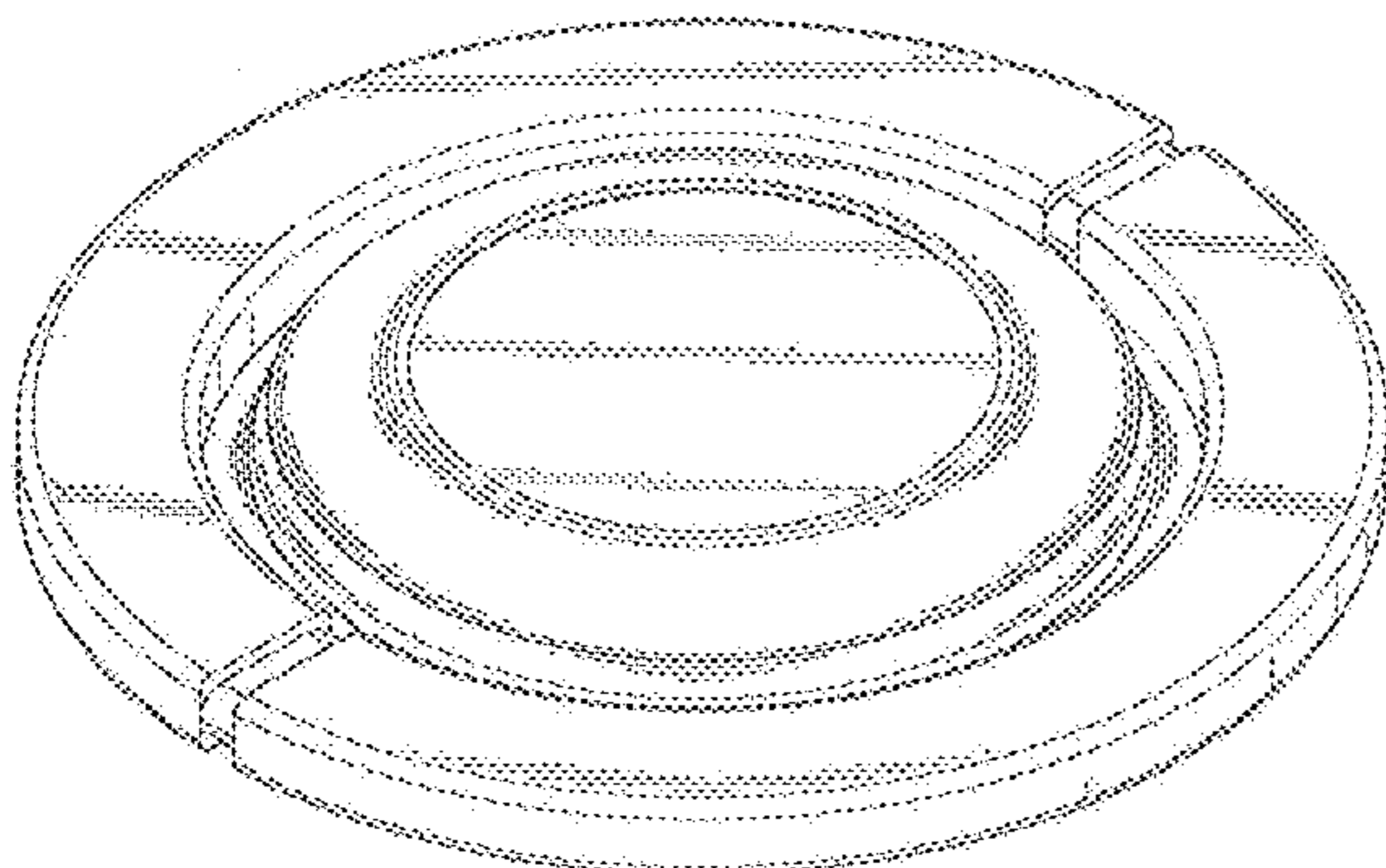
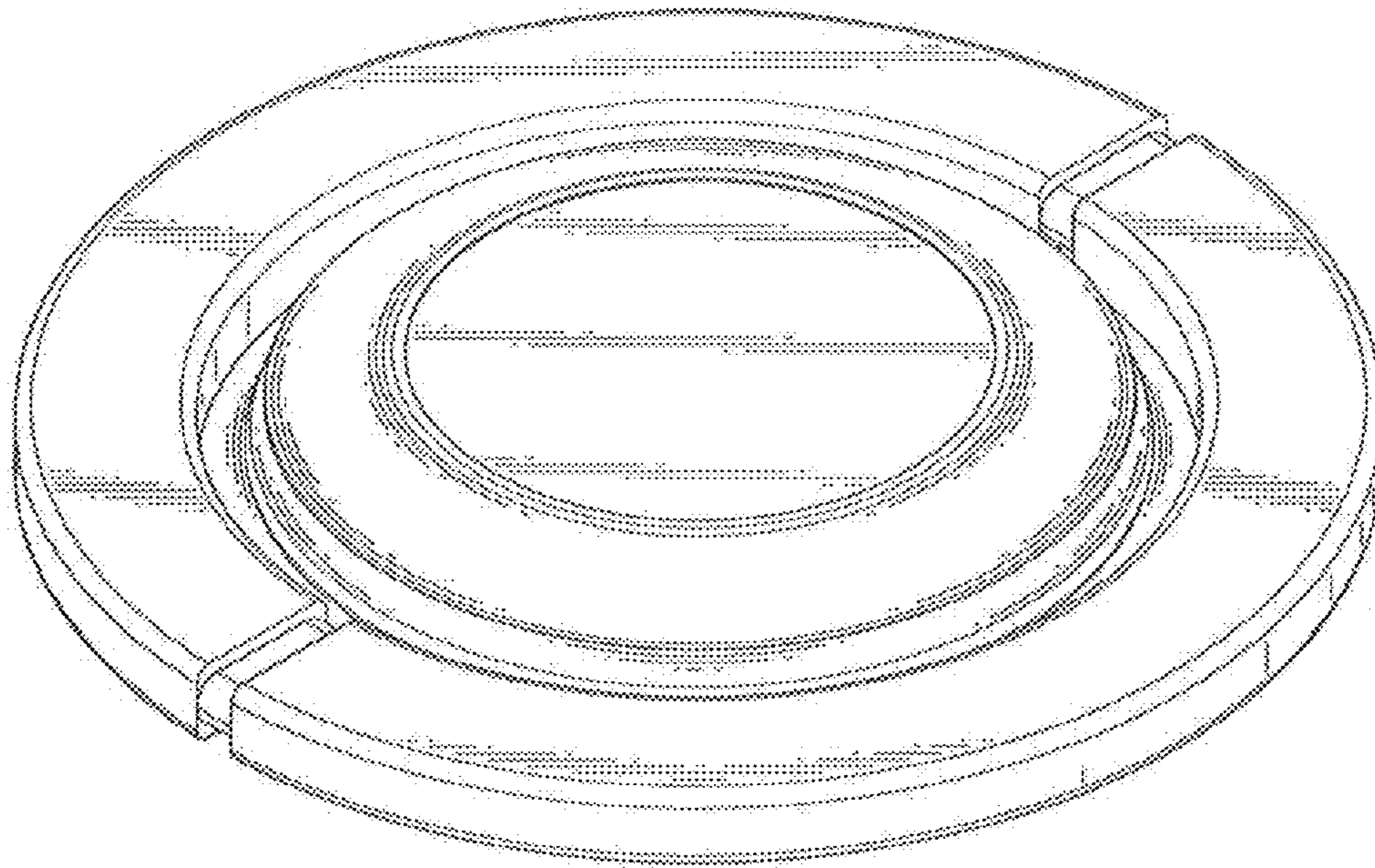


FIG. 1



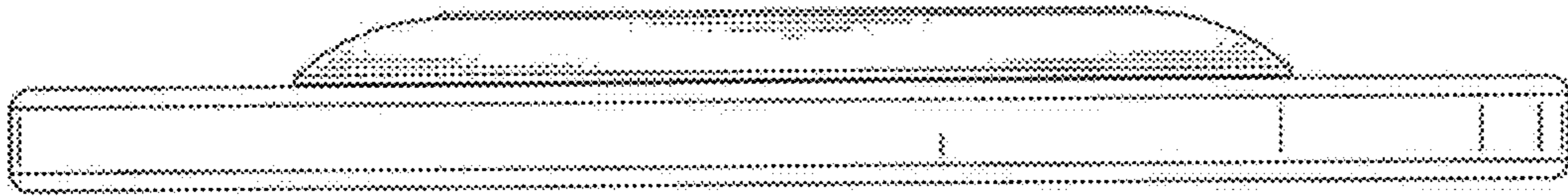


FIG. 2

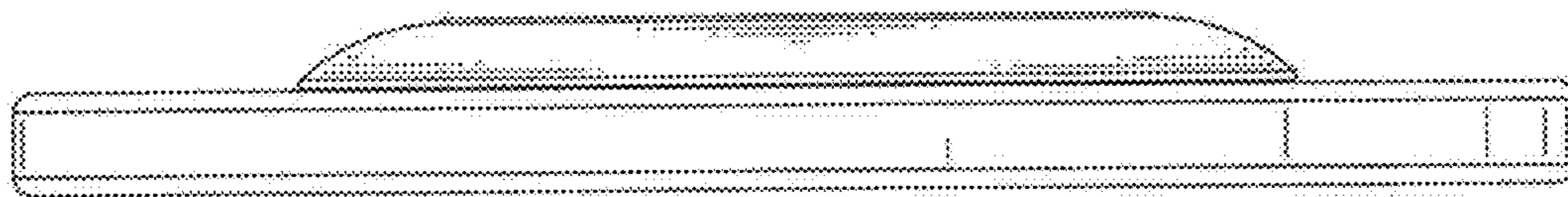


FIG. 3

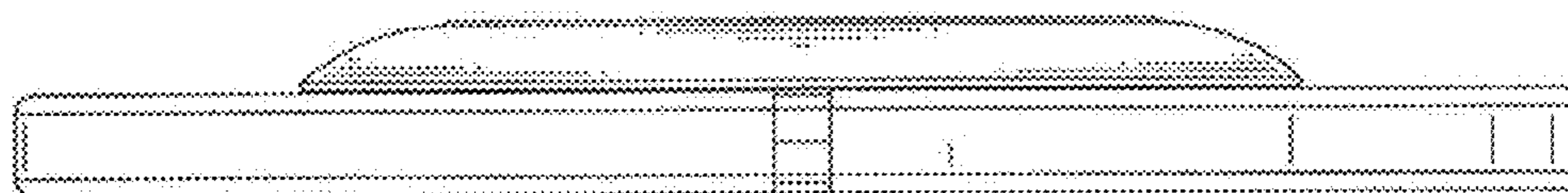


FIG. 4

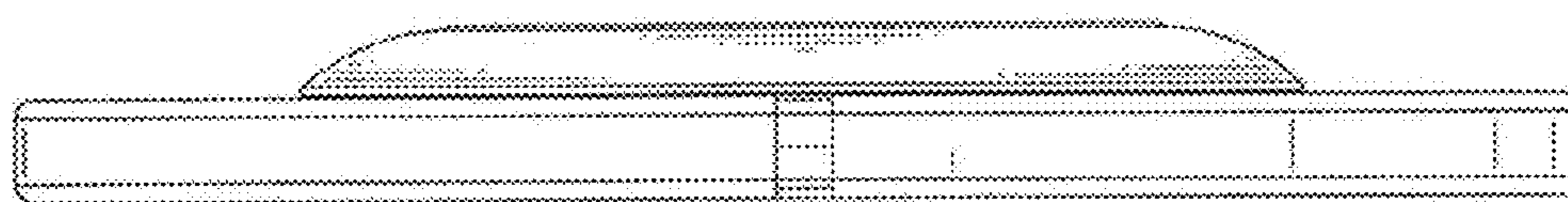


FIG. 5



FIG. 6

