



US00D775317S

(12) **United States Design Patent** (10) **Patent No.:** **US D775,317 S**
Madeira et al. (45) **Date of Patent:** **** Dec. 27, 2016**

(54) **AIR FILTER ELEMENT** D595,811 S * 7/2009 Stadtler D23/249
8,048,187 B2 * 11/2011 Merritt et al. 55/502
(71) Applicant: **MANN+HUMMEL GMBH,** 8,088,190 B2 * 1/2012 Patel et al. 55/487
Ludwigsburg (DE) D657,041 S * 4/2012 Bull D23/393
(Continued)

(72) Inventors: **Pedro Miguel Pereira Madeira,** *Primary Examiner* — David Muller
Bietigheim-Bissingen (DE); **Pascal** *Assistant Examiner* — Nathan Johnston
Neef, Renningen (DE); **Nadine Sorger,**
Stuttgart (DE) (74) *Attorney, Agent, or Firm* — James Hasselbeck

(73) Assignee: **MANN+HUMMEL GMBH,**
Ludwigsburg (DE)

(**) Term: **14 Years**

(21) Appl. No.: **29/467,257**

(22) Filed: **Sep. 17, 2013**

Related U.S. Application Data

(63) Continuation-in-part of application No. 14/017,767,
filed on Sep. 4, 2013.

(51) **LOC (10) Cl.** **23-04**

(52) **U.S. Cl.**
USPC **D23/365**

(58) **Field of Classification Search**
USPC D23/365, 209, 363, 358, 386, 354, 341,
D23/364; 55/385.3, 502, 497, 506, 505,
55/521, 495, 422, 493, DIG. 30; 210/435,
210/130, 136, 248, 339, 448, 452, 497.1;
D15/5
CPC B01D 46/00
See application file for complete search history.

(56) **References Cited**

U.S. PATENT DOCUMENTS

D437,402 S * 2/2001 Gieseke et al. D23/365
D484,584 S * 12/2003 Anderson et al. D23/365
D506,539 S * 6/2005 Bishop et al. D23/365
D545,396 S * 6/2007 Casey et al. D23/209
D585,536 S * 1/2009 Wang D23/364

(57) **CLAIM**

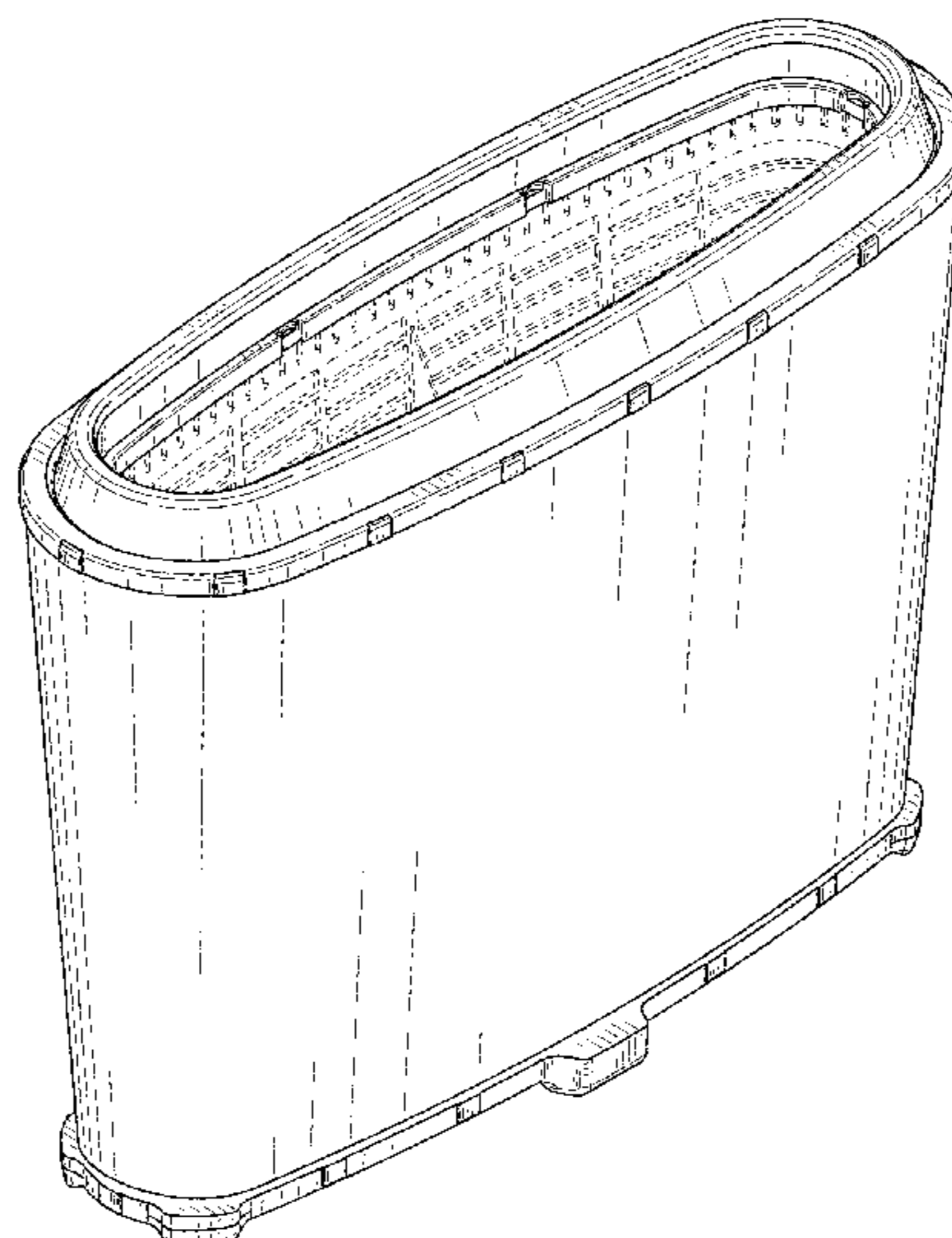
We claim the ornamental design for an air filter element, as shown and described.

DESCRIPTION

FIG. 1 is a top front perspective view of an air filter showing our new design, the top rear perspective view is identical; FIG. 2 is a front elevational view thereof, the rear elevational view is identical; FIG. 3 is a left side elevational view thereof, the right side elevational view is identical; FIG. 4 is a top plan view thereof; FIG. 5 is a bottom plan view thereof; FIG. 6 is a bottom rear perspective view thereof, the bottom front perspective view is identical to FIG. 6; FIG. 7 is an enlarged view of the circled region “FIG. 7” of FIG. 6, showing an enlarged view of the oblong protruding portion; FIG. 8 is an enlarged view of the circled region “FIG. 8” of FIG. 2; FIG. 9 is an enlarged view of the circled region “FIG. 9” of FIG. 3; and, FIG. 10 is an enlarged view of the circled region “FIG. 10” of FIG. 5.

The dash dot lines immediately adjacent to the claimed areas in FIGS. 5 and 10 represent the boundaries of the claimed design. The dashed lines in the figures illustrate the portions of the design that form no part of the claimed design. None of the broken lines form any part of the claimed design.

1 Claim, 7 Drawing Sheets



(56)

References Cited

U.S. PATENT DOCUMENTS

8,246,702 B2 * 8/2012 Ackermann et al. 55/337
D690,407 S * 9/2013 Williams et al. D23/365
2010/0252495 A1 * 10/2010 Reid et al. 210/339
2014/0373495 A1 * 12/2014 Madeira et al. 55/502

* cited by examiner

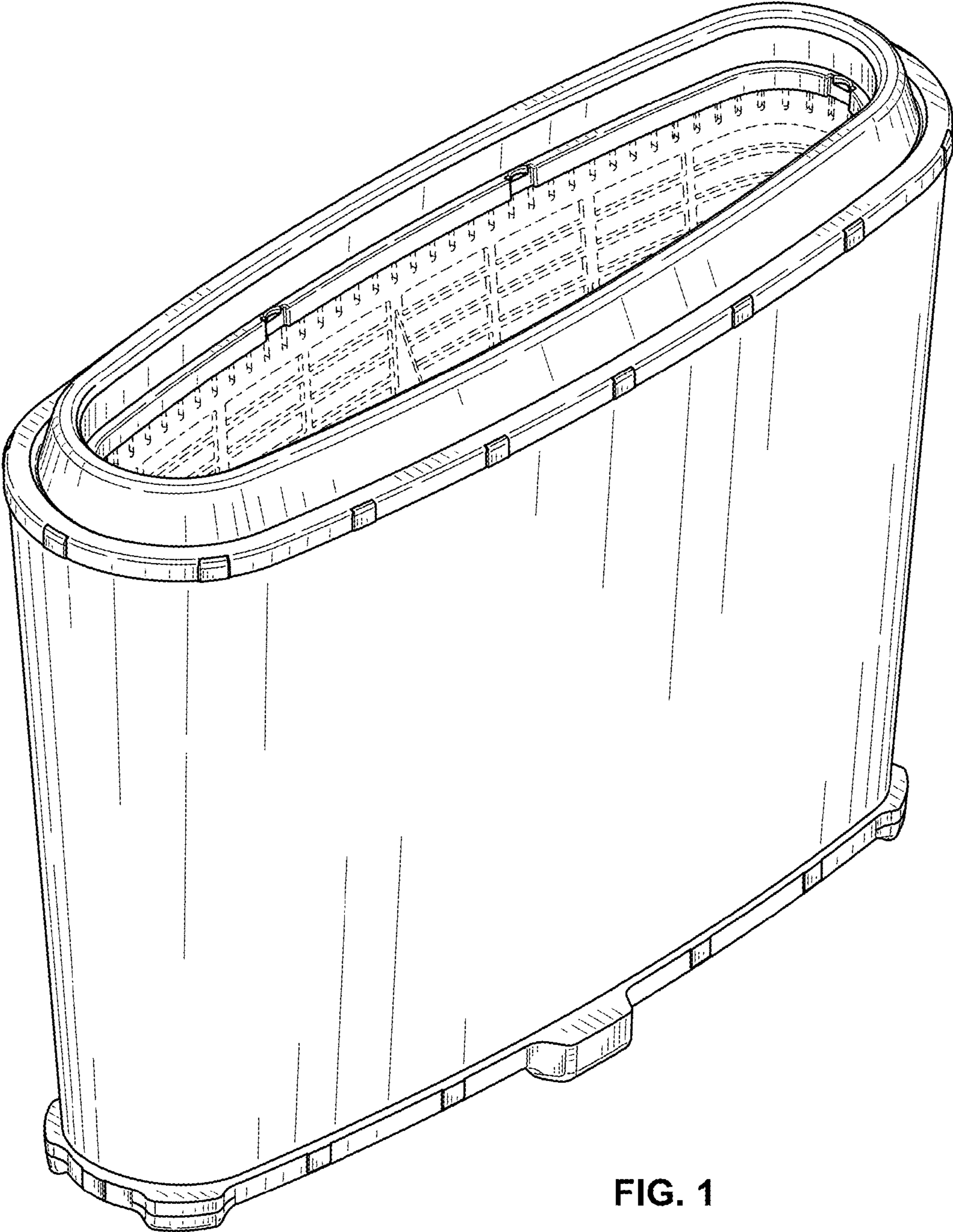


FIG. 1

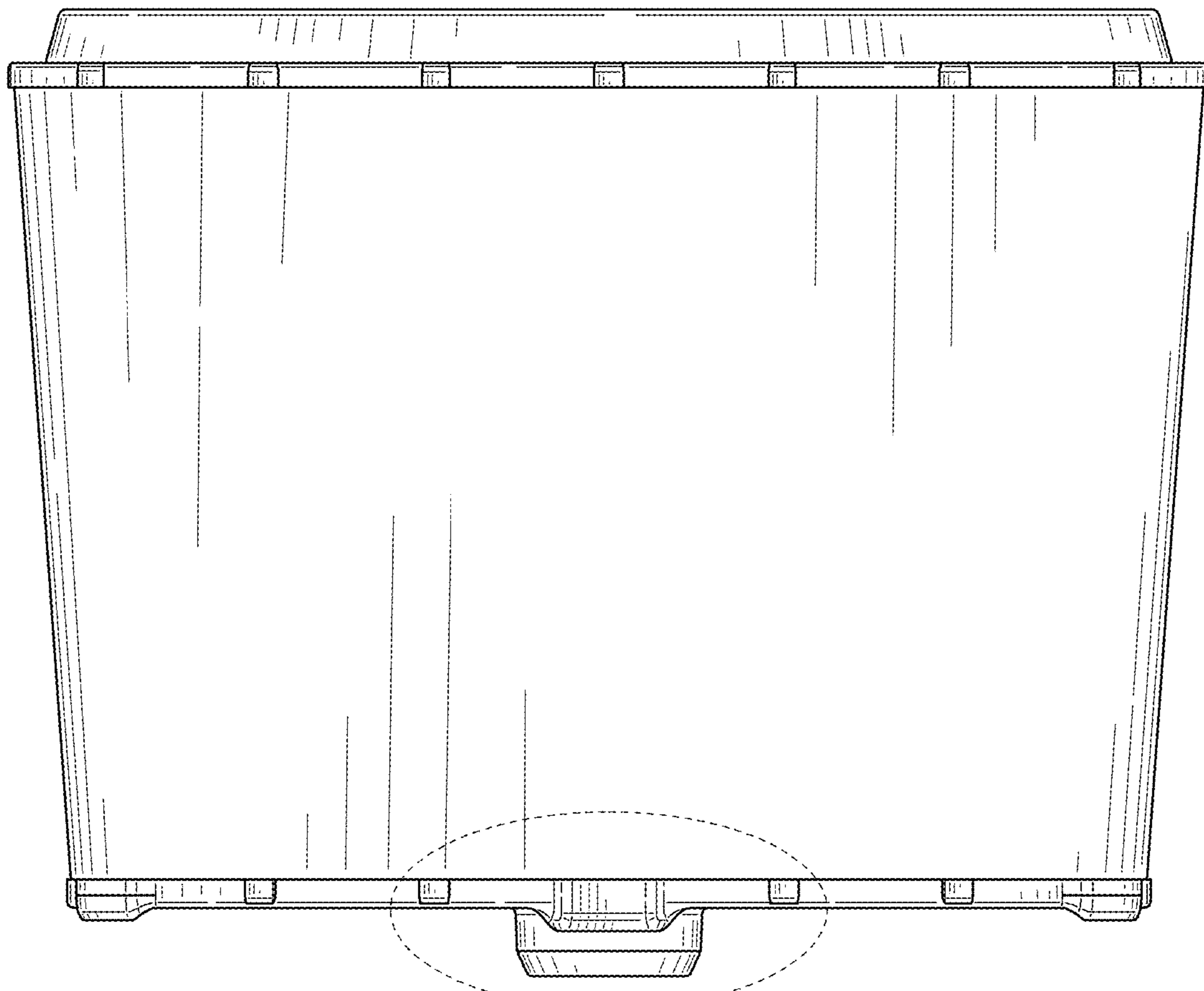


FIG. 8

FIG. 2

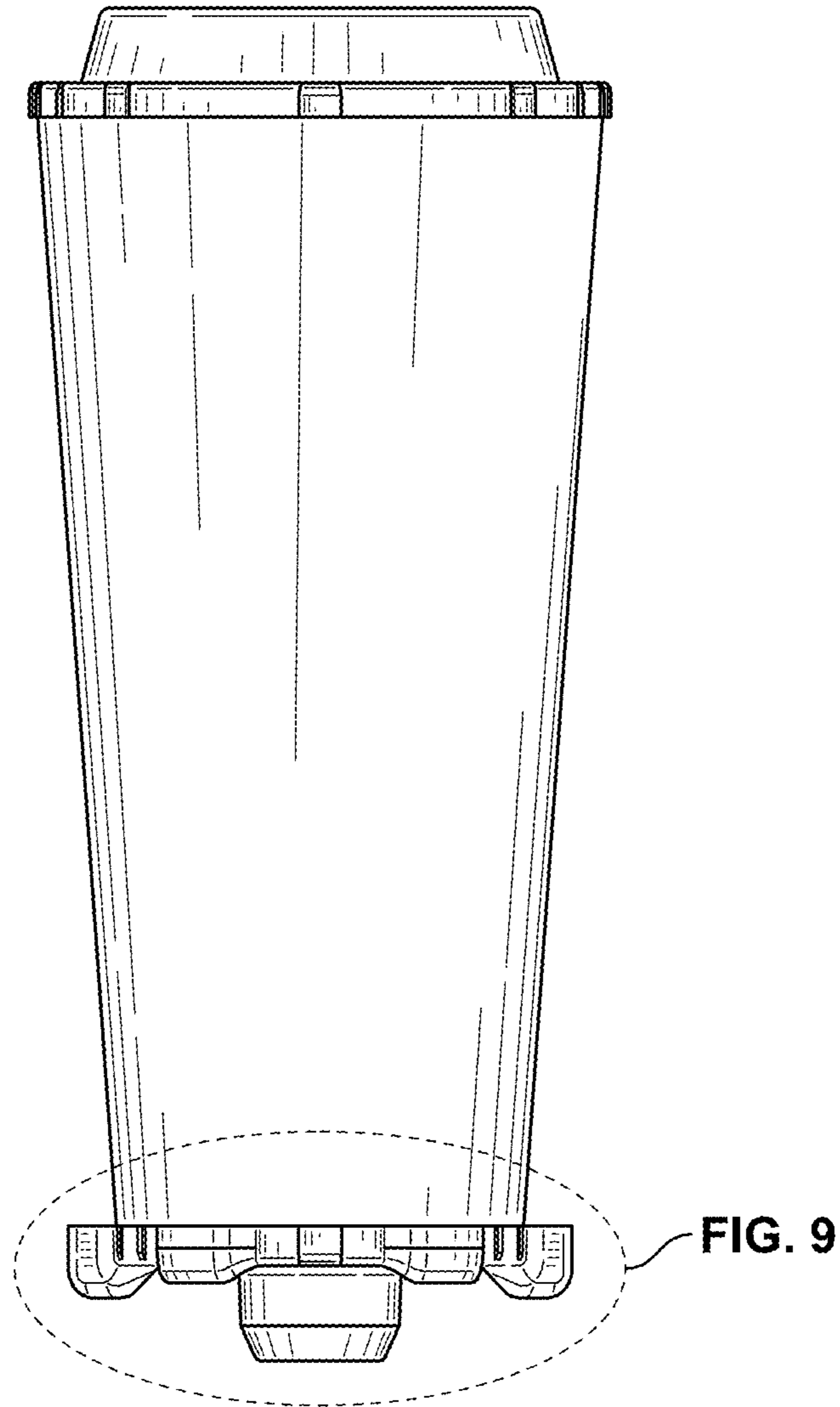


FIG. 3

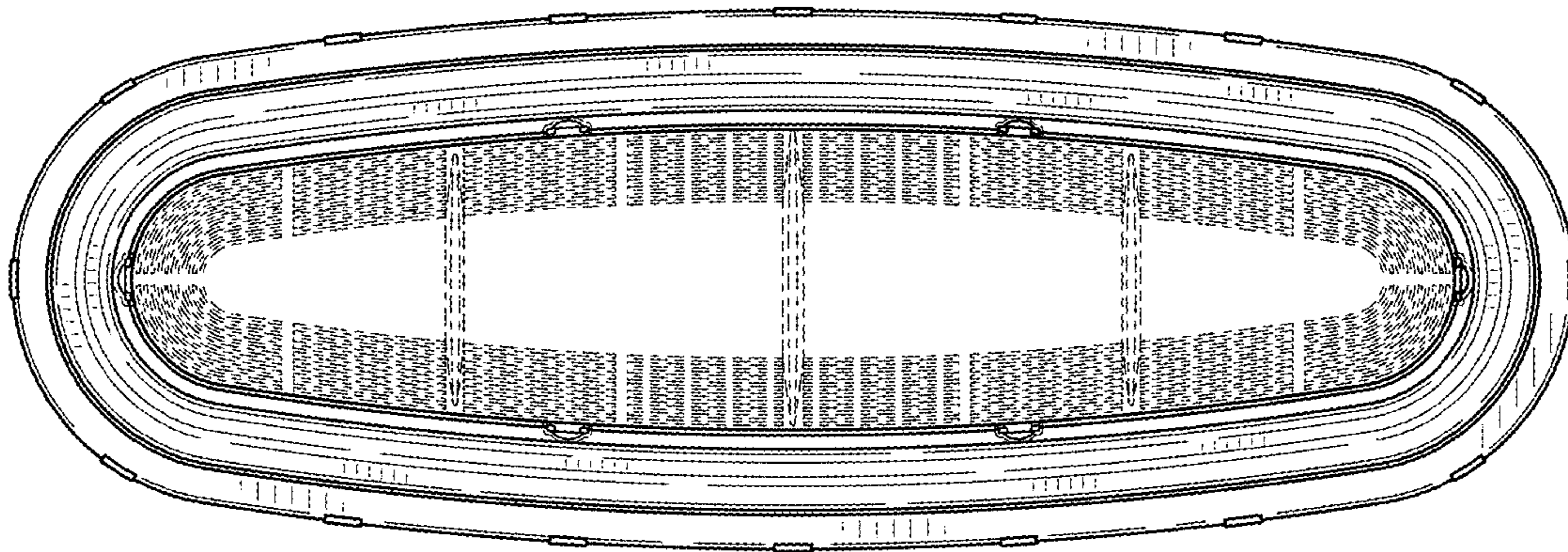


FIG. 4

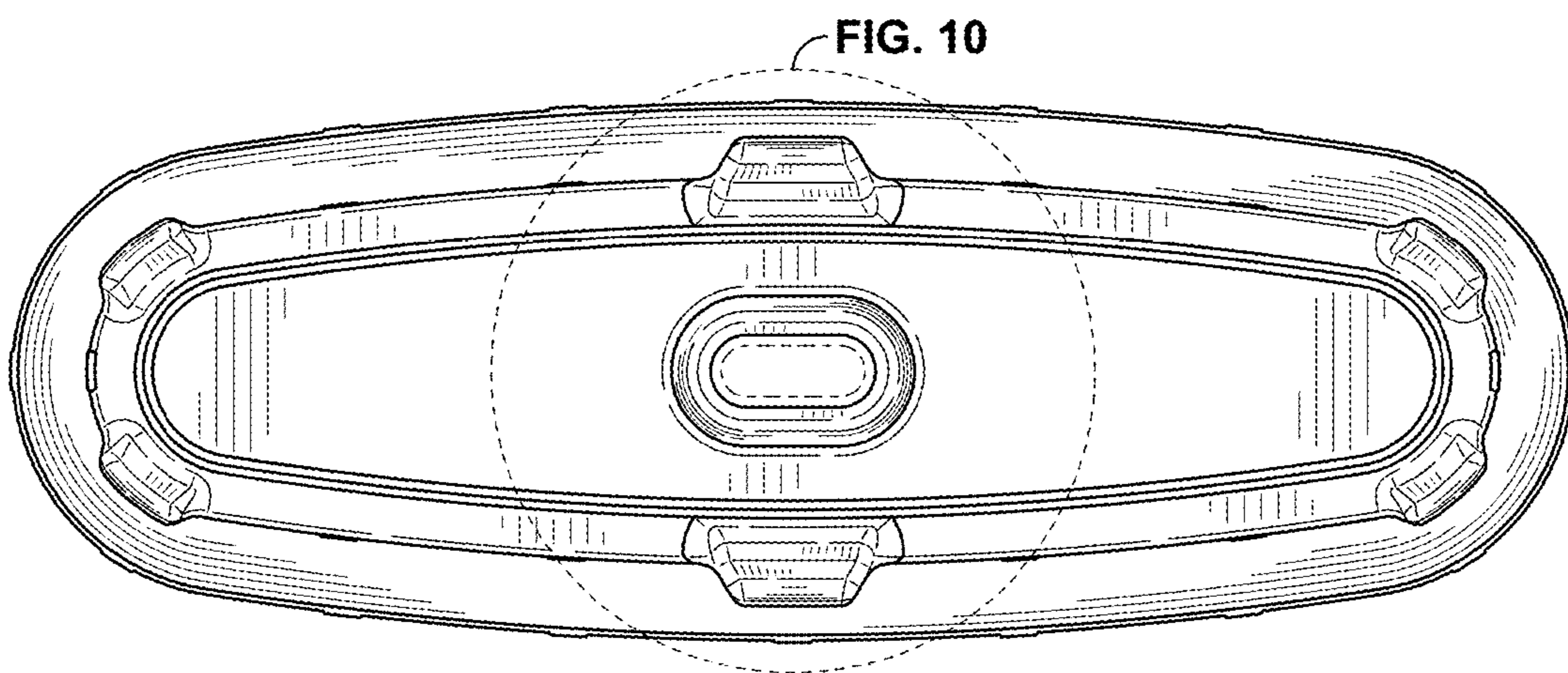


FIG. 5

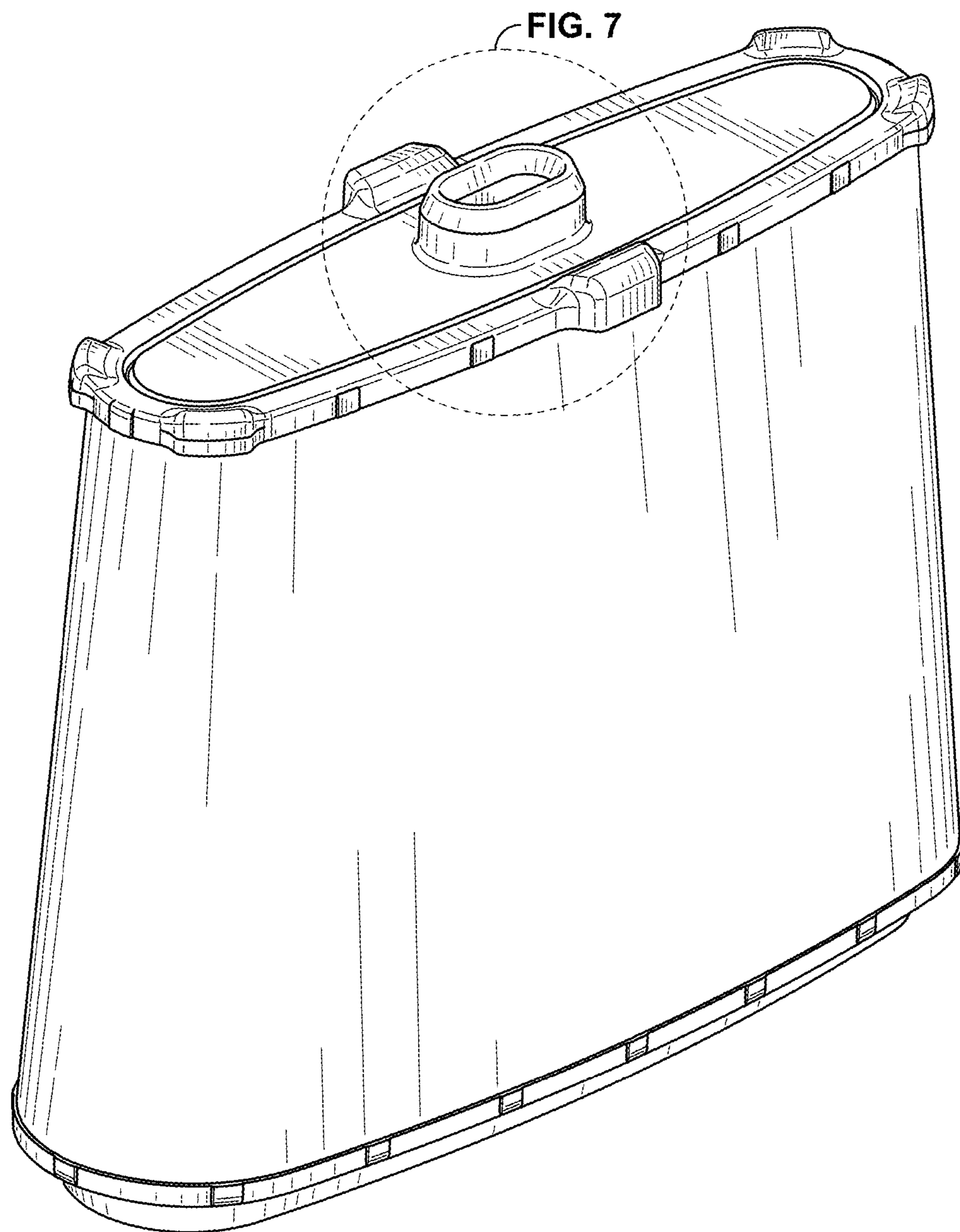


FIG. 6

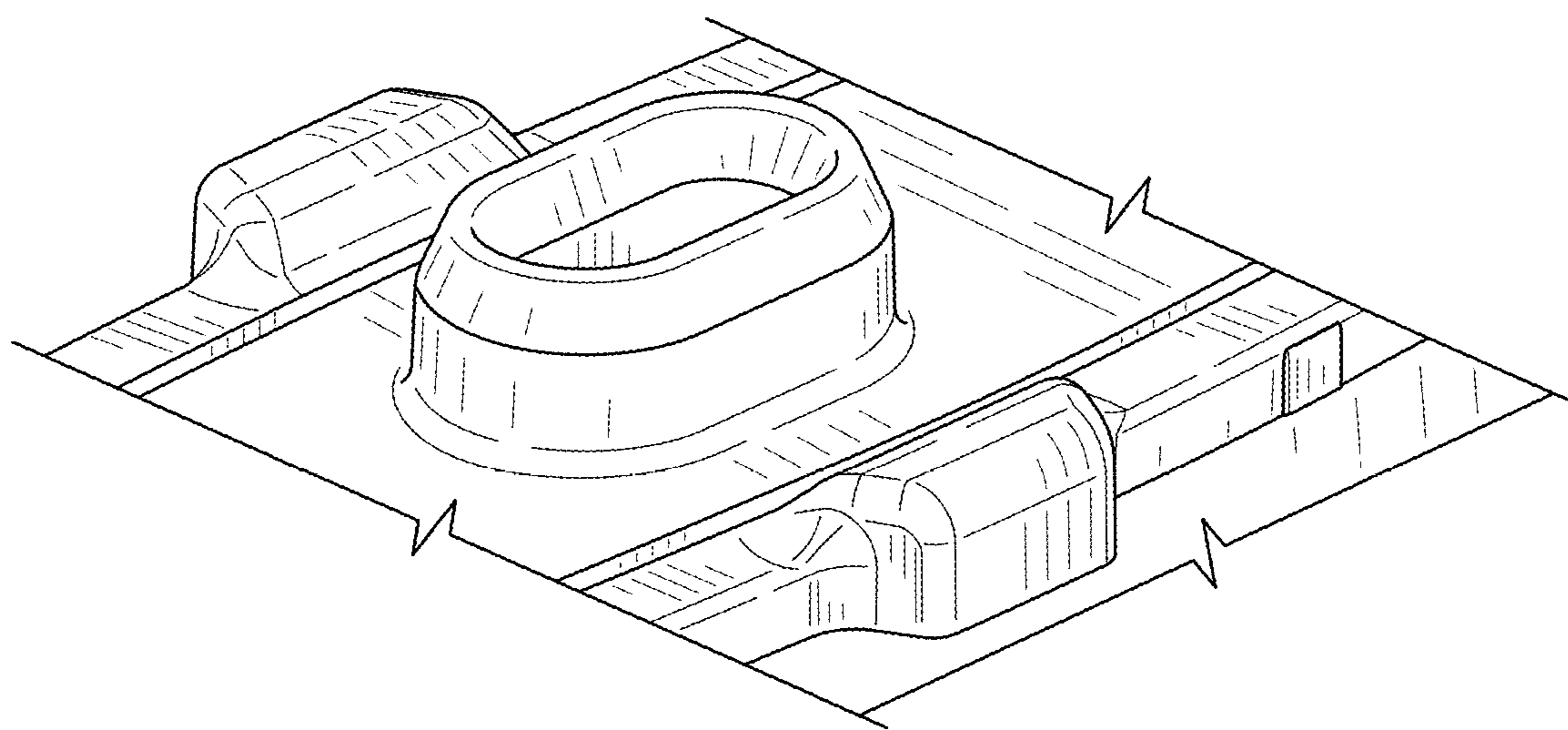


FIG. 7

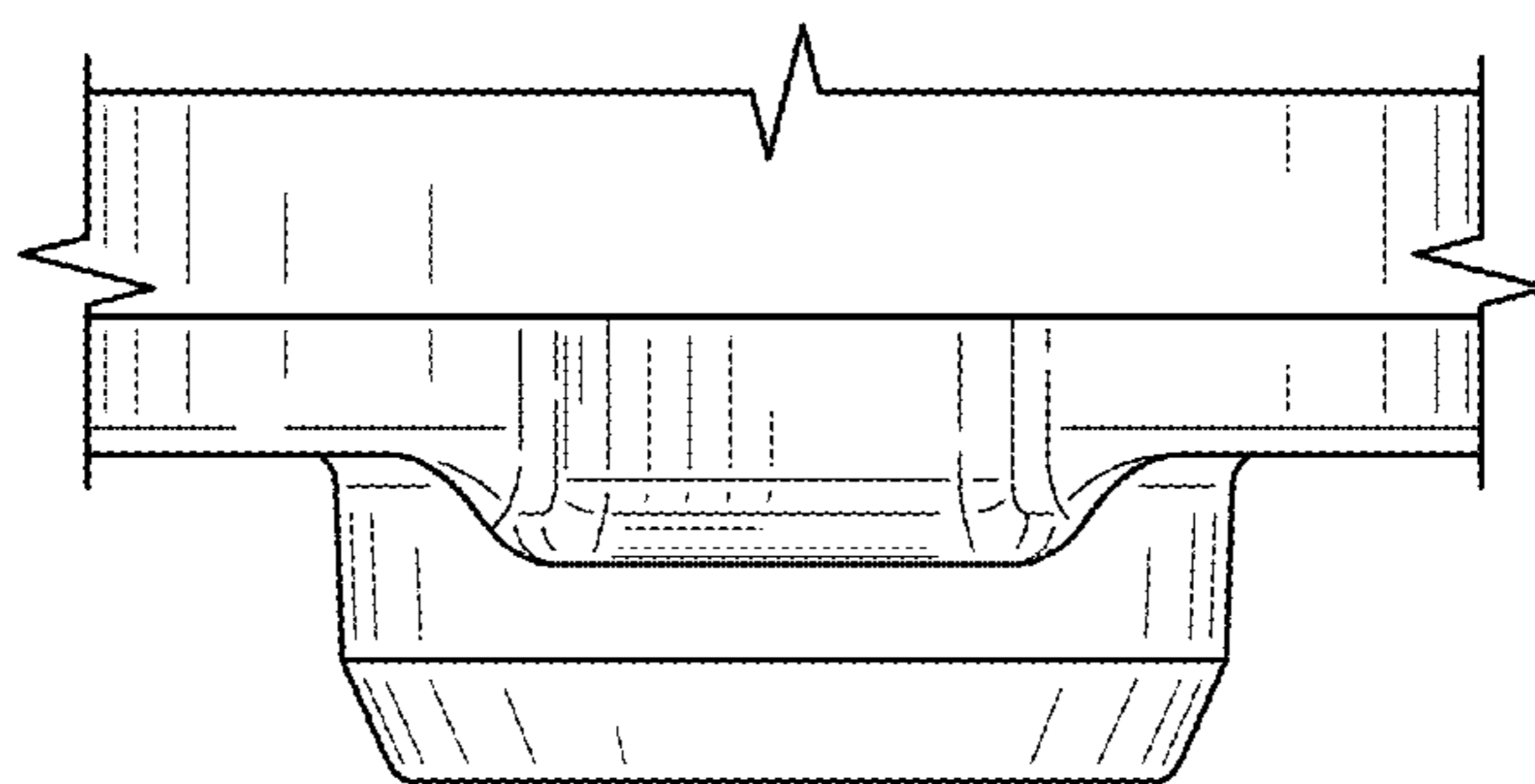


FIG. 8

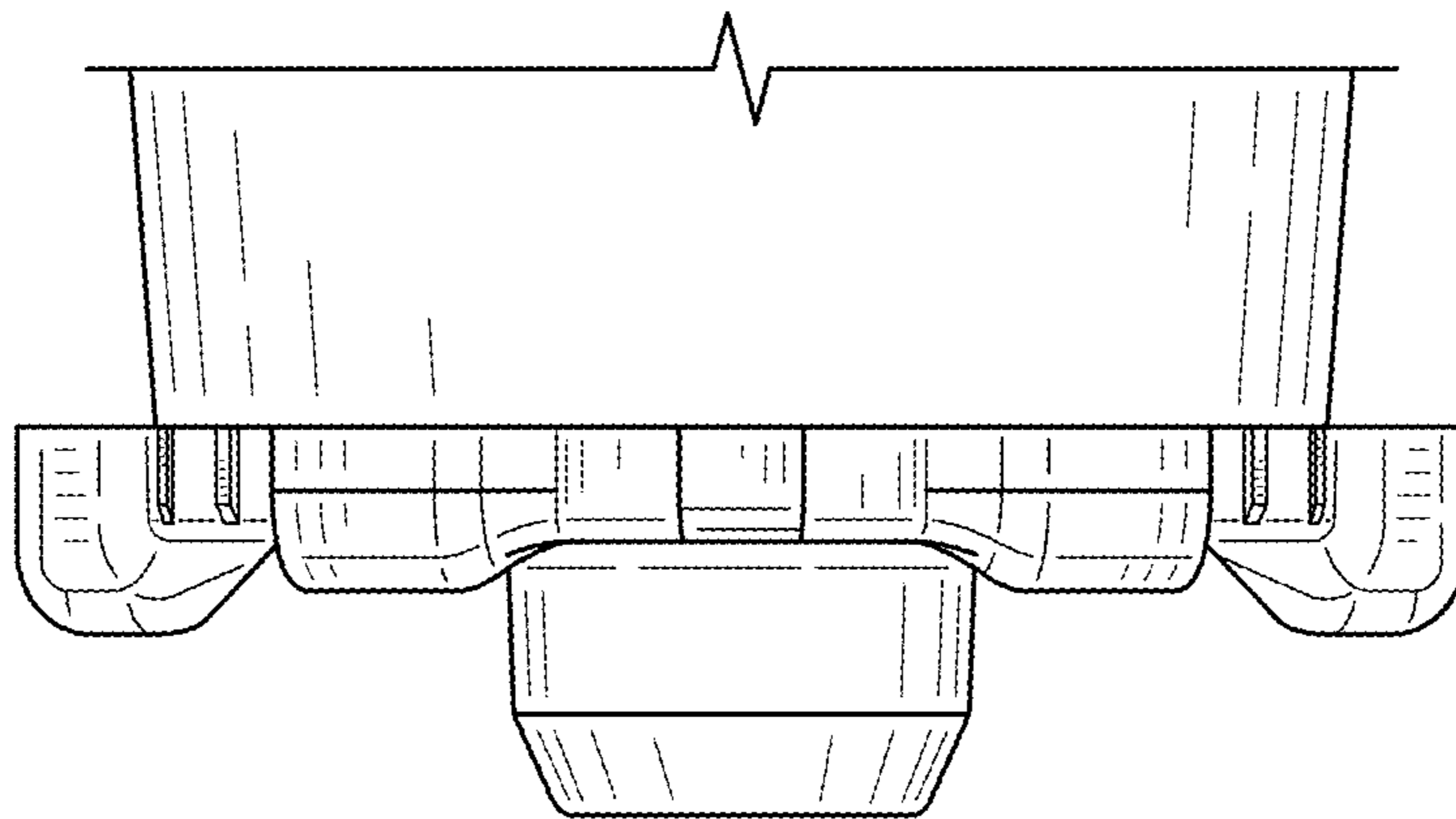


FIG. 9

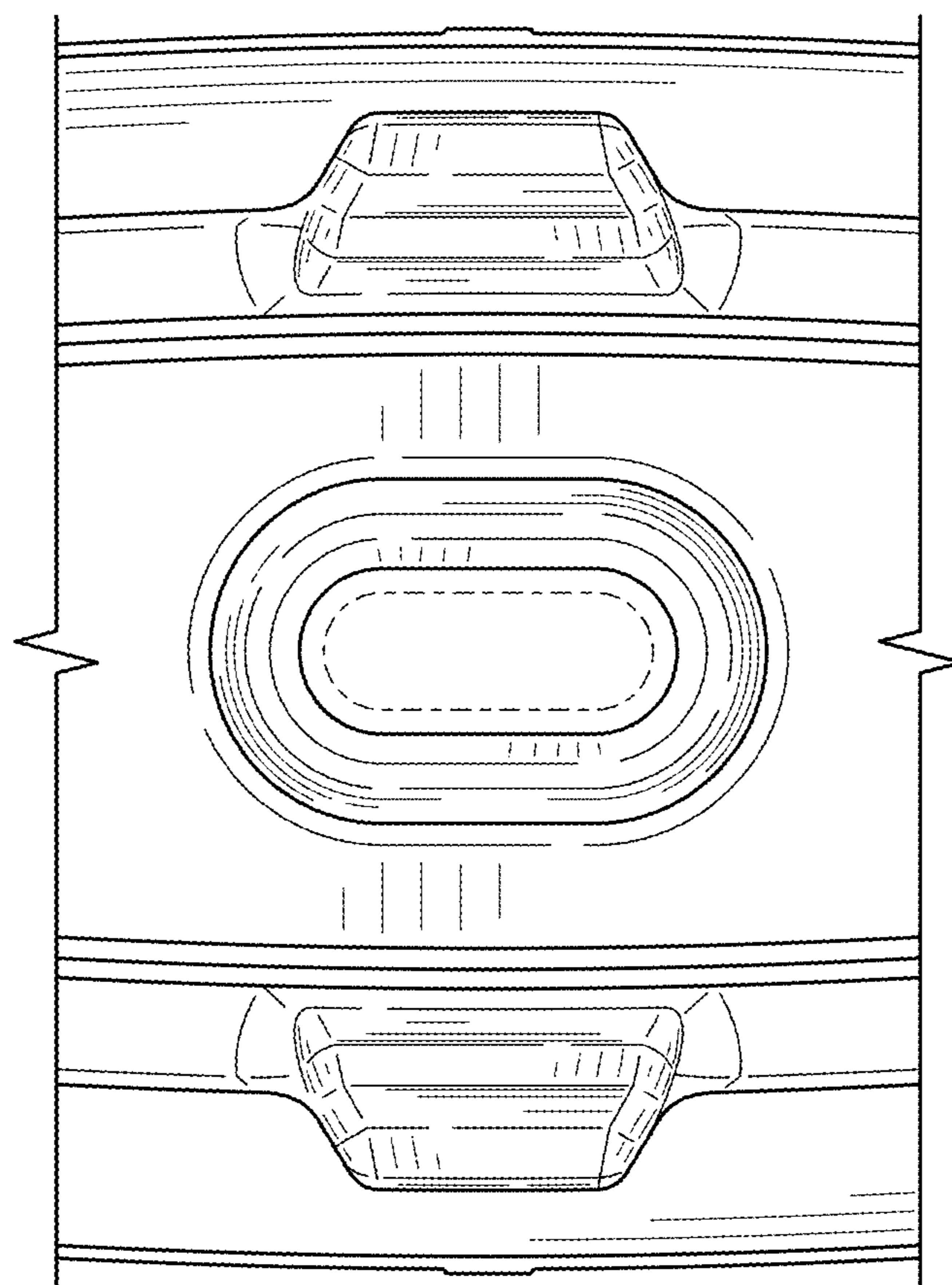


FIG. 10