



US00D775312S

(12) **United States Design Patent** (10) **Patent No.:** **US D775,312 S**  
**Boughton et al.** (45) **Date of Patent:** **\*\* Dec. 27, 2016**

(54) **GARDEN IRRIGATION NEEDLE CONNECTOR**

D507,818 S \* 7/2005 Wu ..... D23/214  
D523,523 S \* 6/2006 Burnworth ..... D23/217  
7,191,958 B1 \* 3/2007 Wang ..... B05B 1/1645

(71) Applicant: **Hozelock Limited**, Birmingham (GB)

D618,306 S \* 6/2010 Burnworth ..... D23/214

(72) Inventors: **Robert Boughton**, Twyford (GB); **Matt Gossington**, Handsacre (GB)

2007/0034714 A1 \* 2/2007 Campbell ..... B05B 15/062

2015/0250110 A1 \* 9/2015 Lo ..... F16L 3/127

239/276

239/276

(73) Assignee: **SA EXEL INDUSTRIES**, Paris (FR)

\* cited by examiner

(\*\*) Term: **15 Years**

*Primary Examiner* — Cynthia Ramirez

*Assistant Examiner* — Gino Colan

(21) Appl. No.: **29/541,412**

(74) *Attorney, Agent, or Firm* — Heslin Rothenberg

(22) Filed: **Oct. 2, 2015**

Farley & Mesiti P.C.; Victor A. Cardona, Esq.

(30) **Foreign Application Priority Data**

(57) **CLAIM**

Apr. 2, 2015 (EM) ..... 001433312-0001

The ornamental design for a garden irrigation needle connector, as shown and described.

(51) **LOC (10) Cl.** ..... **23-01**

**DESCRIPTION**

(52) **U.S. Cl.**

USPC ..... **D23/214**

(58) **Field of Classification Search**

USPC ..... D23/233–250, 214, 262, 221, 217;  
239/200, 201, 203, 204, 205, 206, 276,  
239/73, 310, 379; 210/238, 282, 446, 94;  
285/248, 257

CPC ..... B05B 15/062; B05B 1/3026; B05B 1/30  
See application file for complete search history.

FIG. 1 is a front elevational view of a garden irrigation needle connector comprising the new design.

FIG. 2 is a rear elevational view thereof;

FIG. 3 is a left elevational view thereof;

FIG. 4 is a right elevational view thereof;

FIG. 5 is a bottom plan view thereof;

FIG. 6 is a top plan view thereof;

FIG. 7 is a perspective view thereof; and,

FIG. 8 is another perspective view thereof.

The broken lines shown in the drawings illustrate portions of the garden irrigation needle connector that form no part of the claimed design.

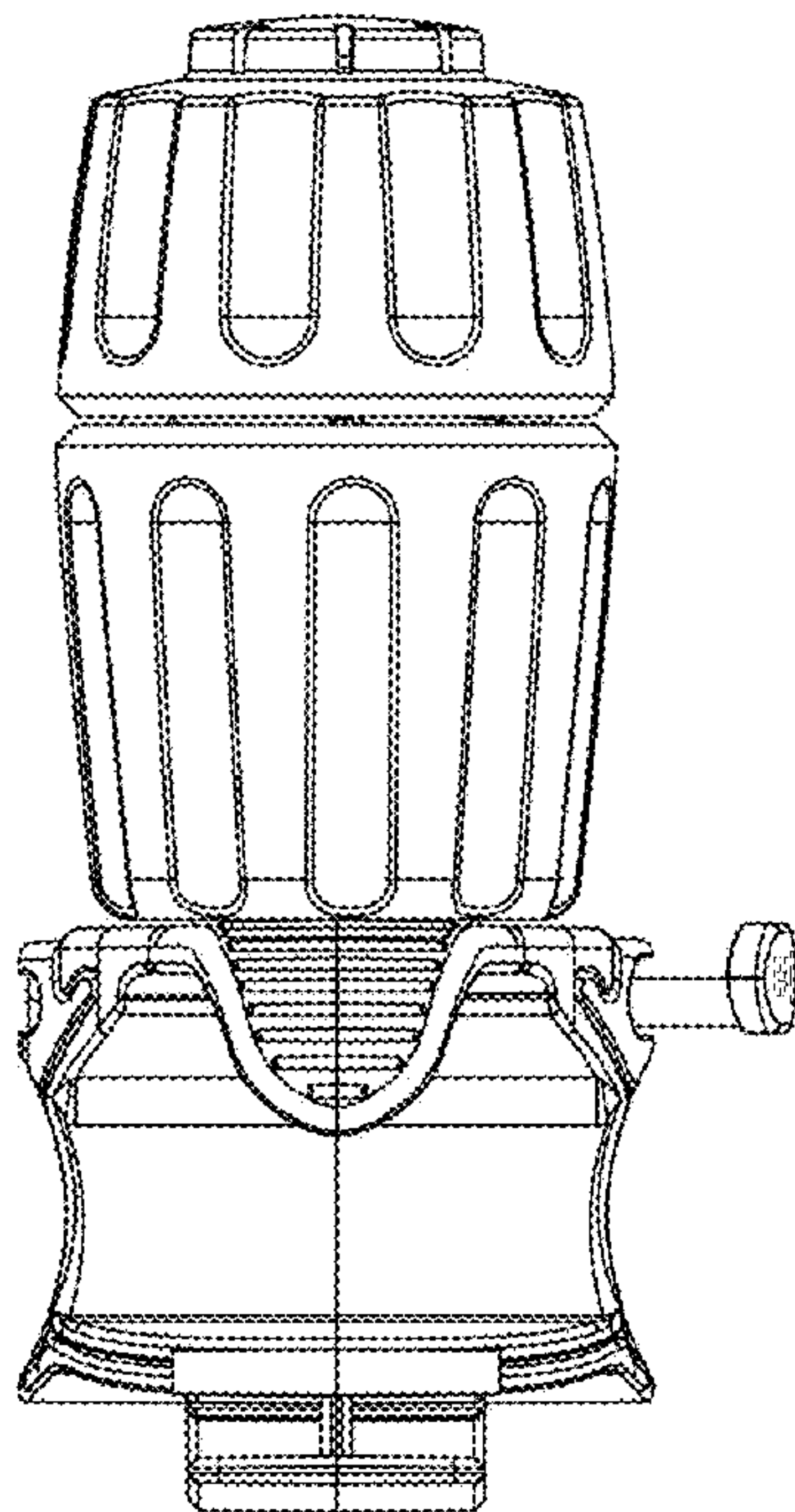
(56) **References Cited**

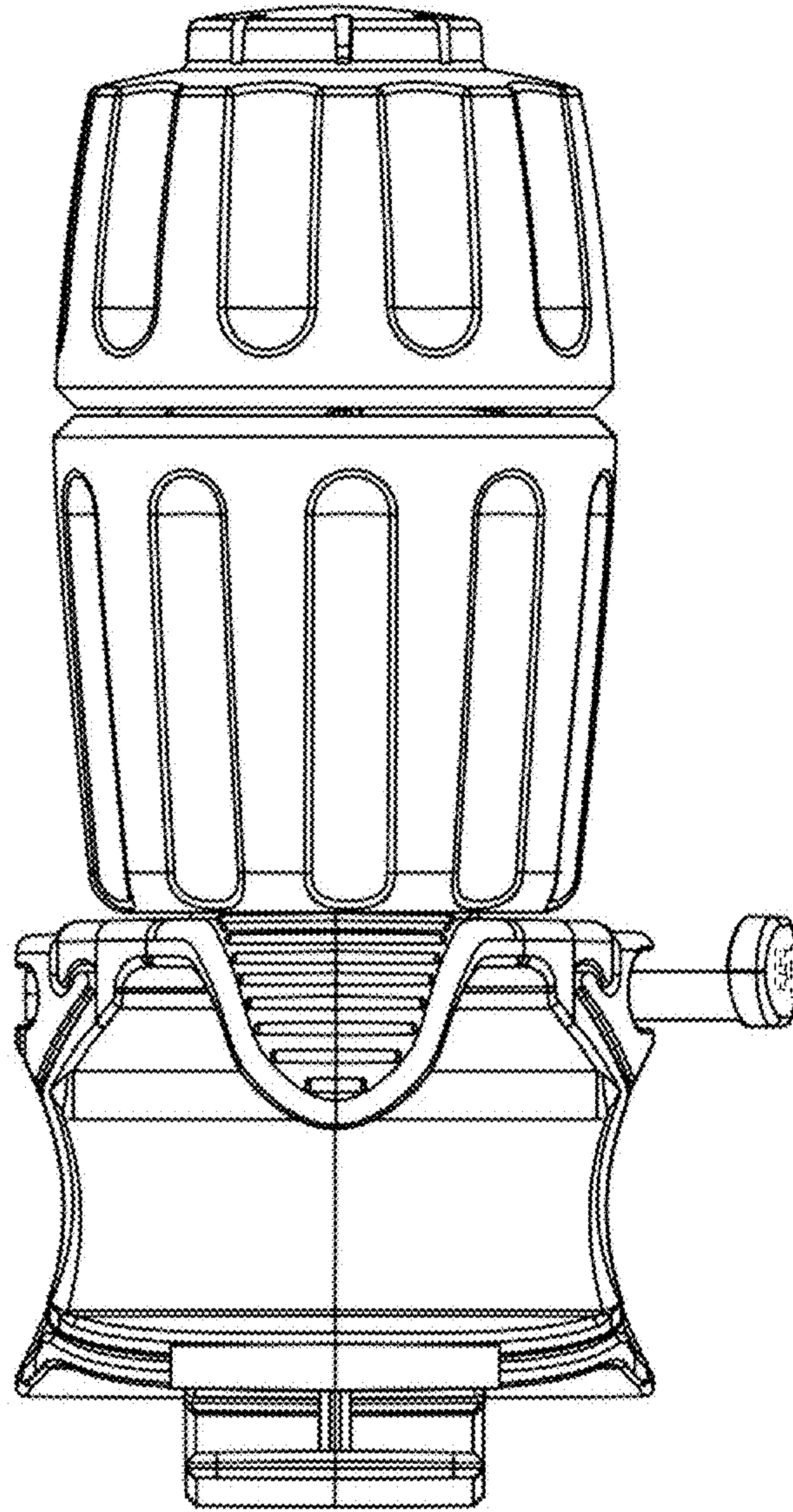
**U.S. PATENT DOCUMENTS**

D443,914 S \* 6/2001 Heren ..... D23/214

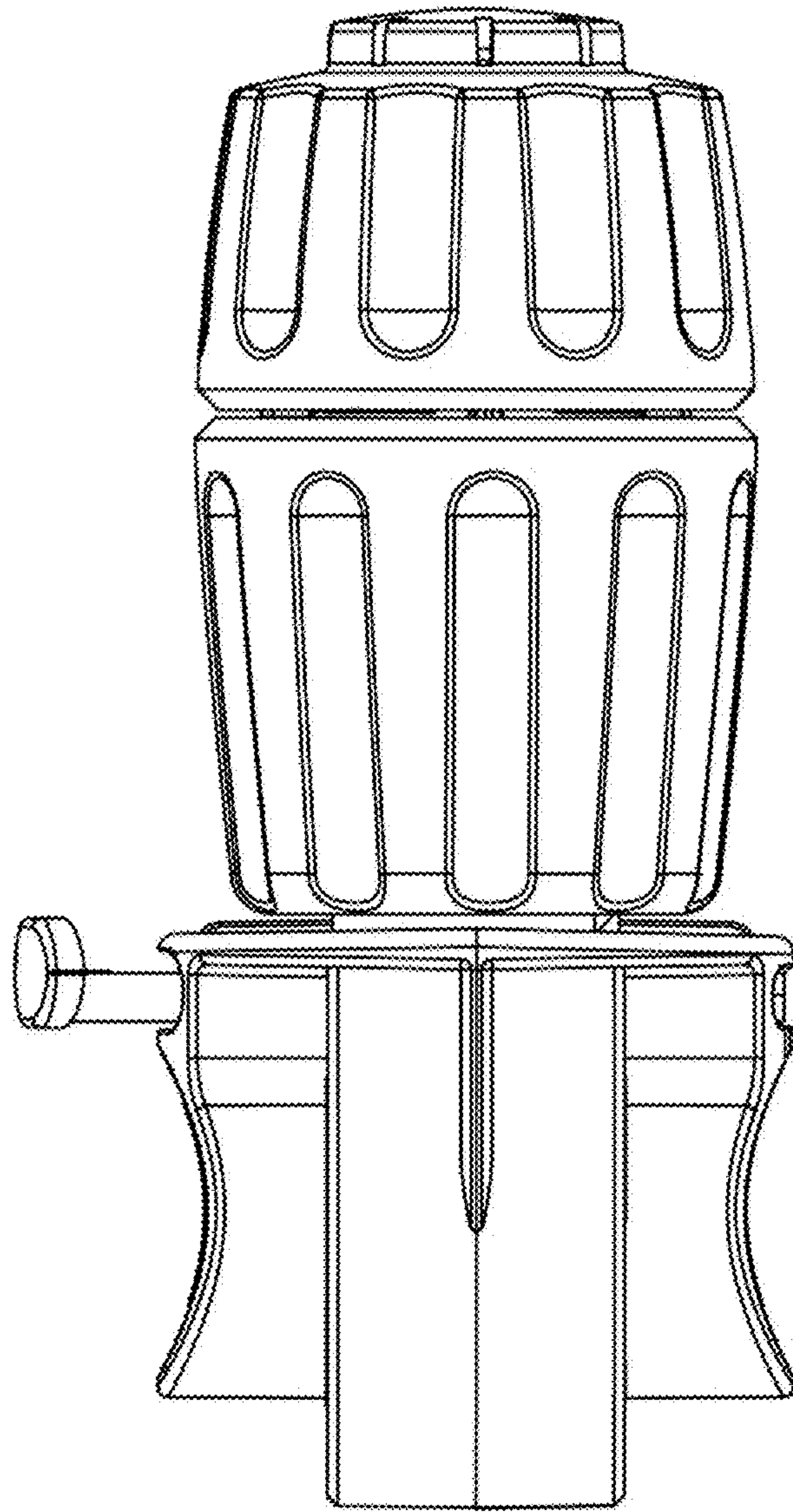
D466,972 S \* 12/2002 Clivio ..... D23/214

**1 Claim, 8 Drawing Sheets**



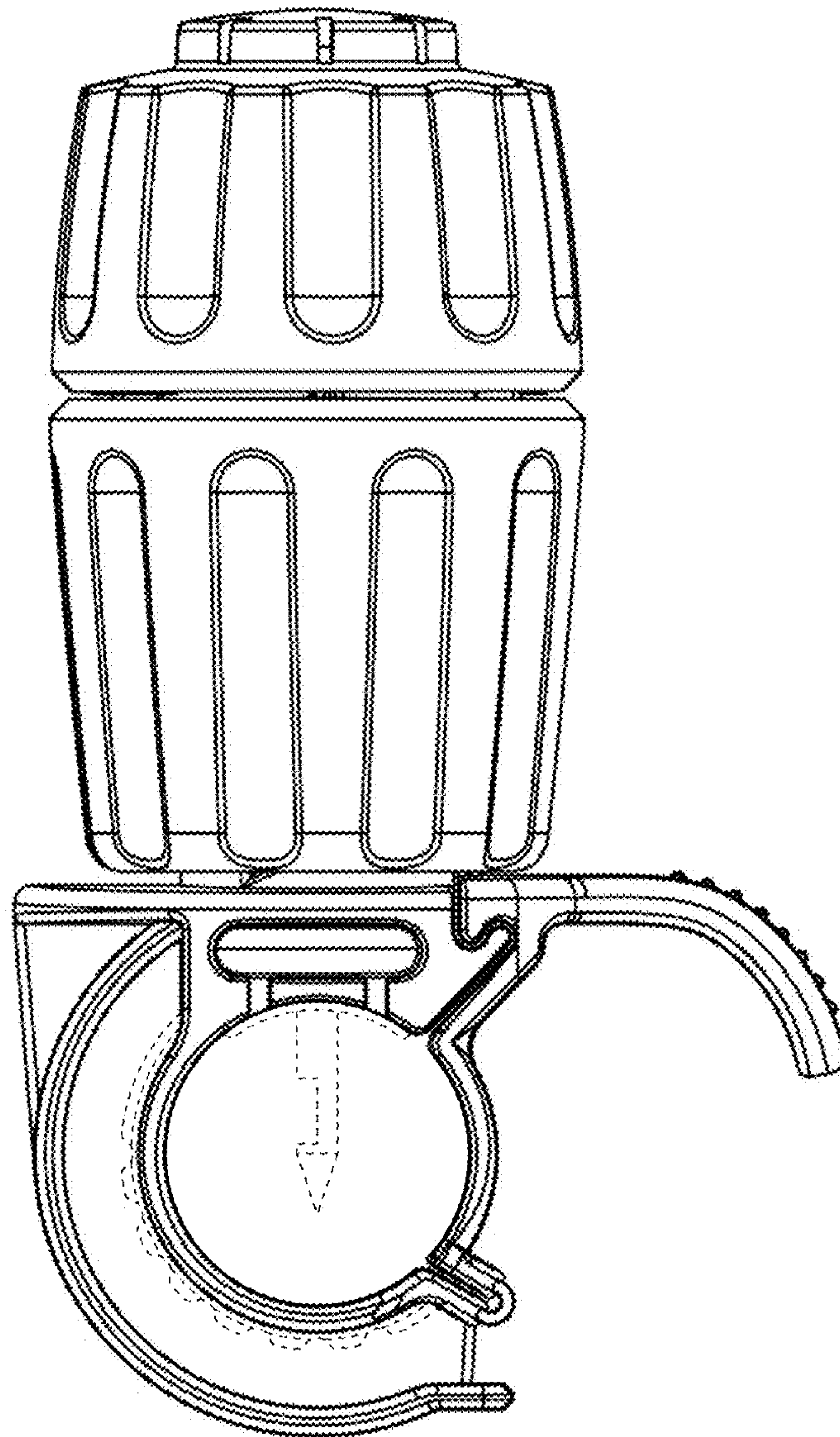


***FIG. 1***

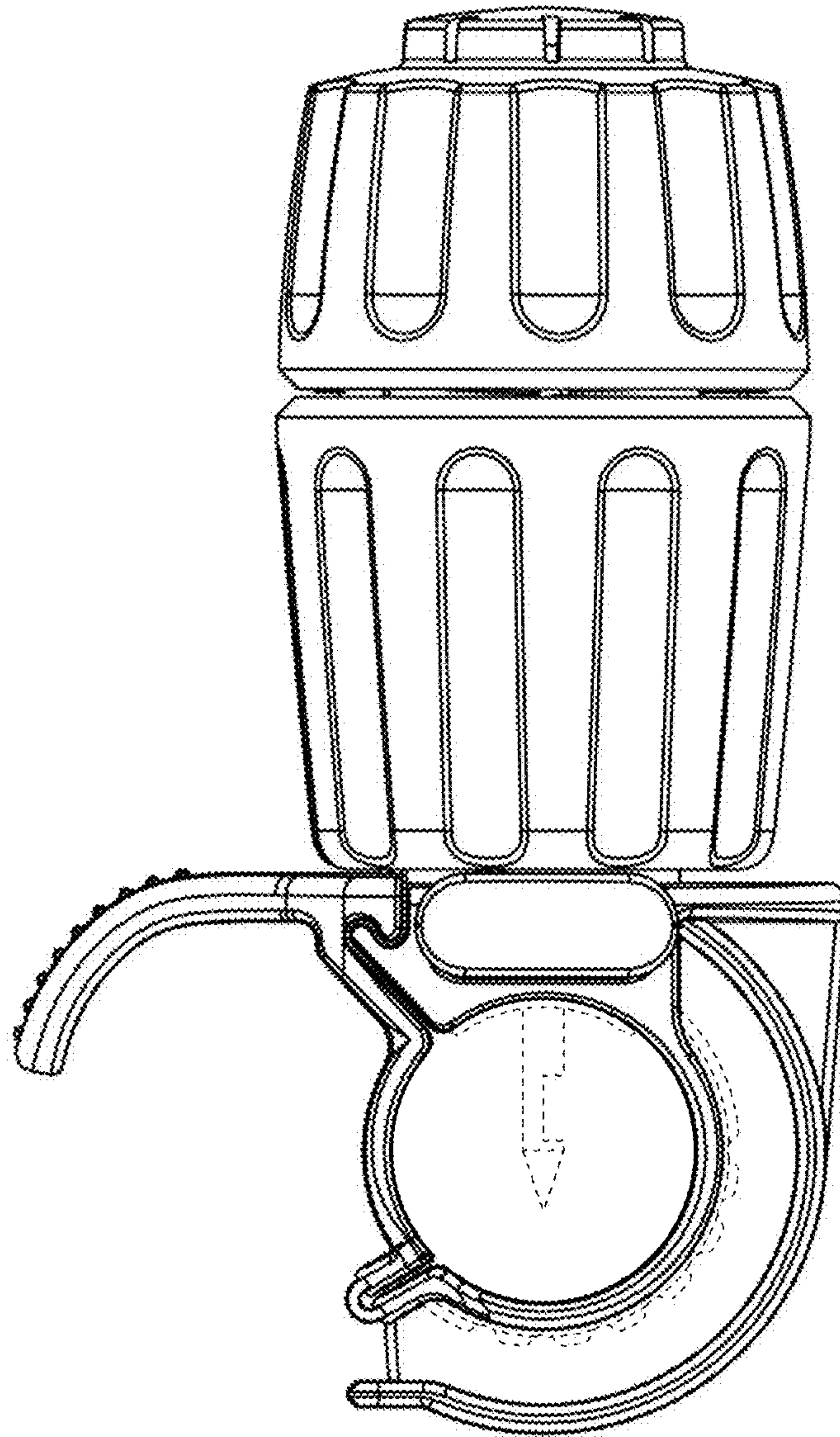


**FIG. 2**

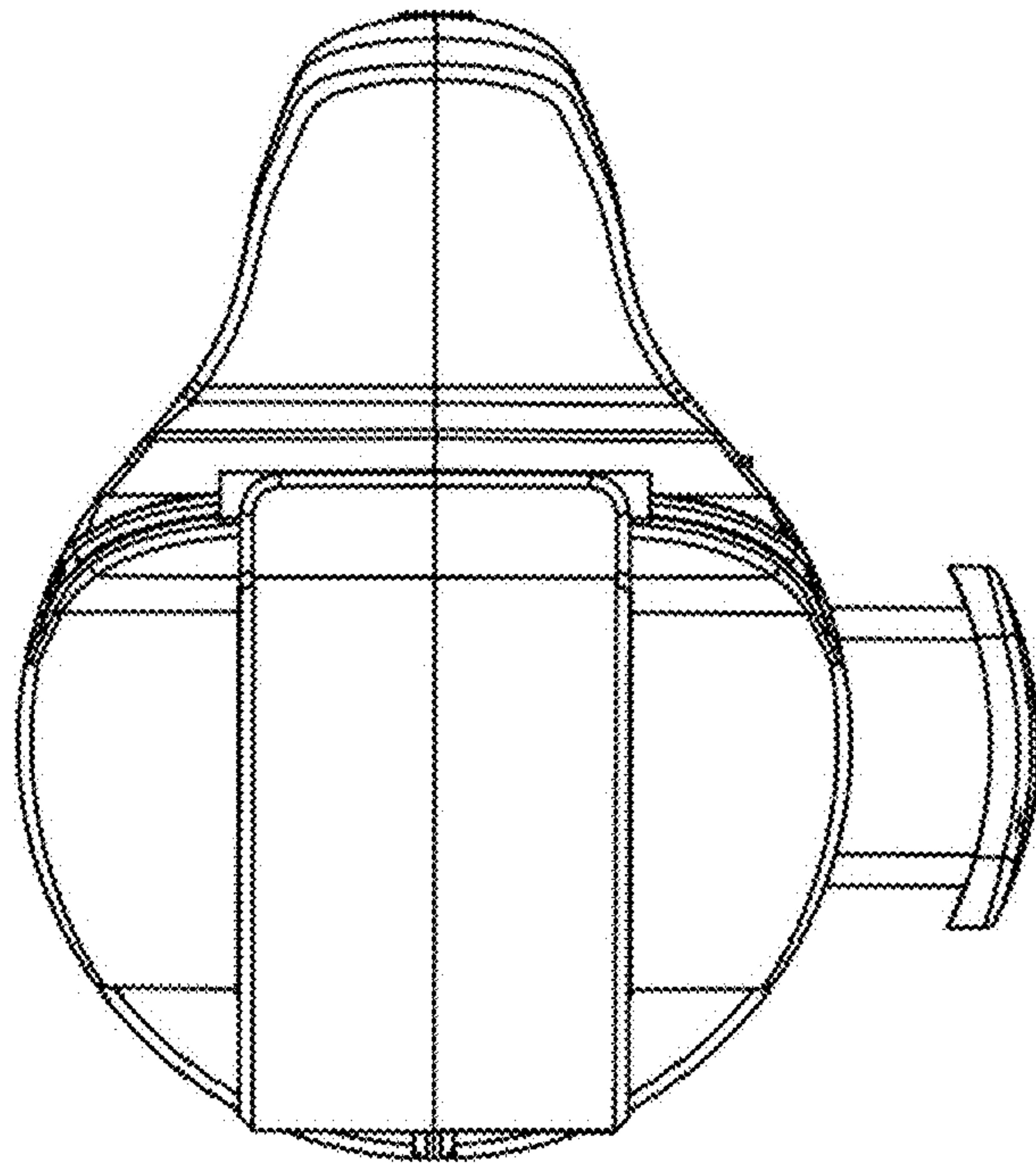




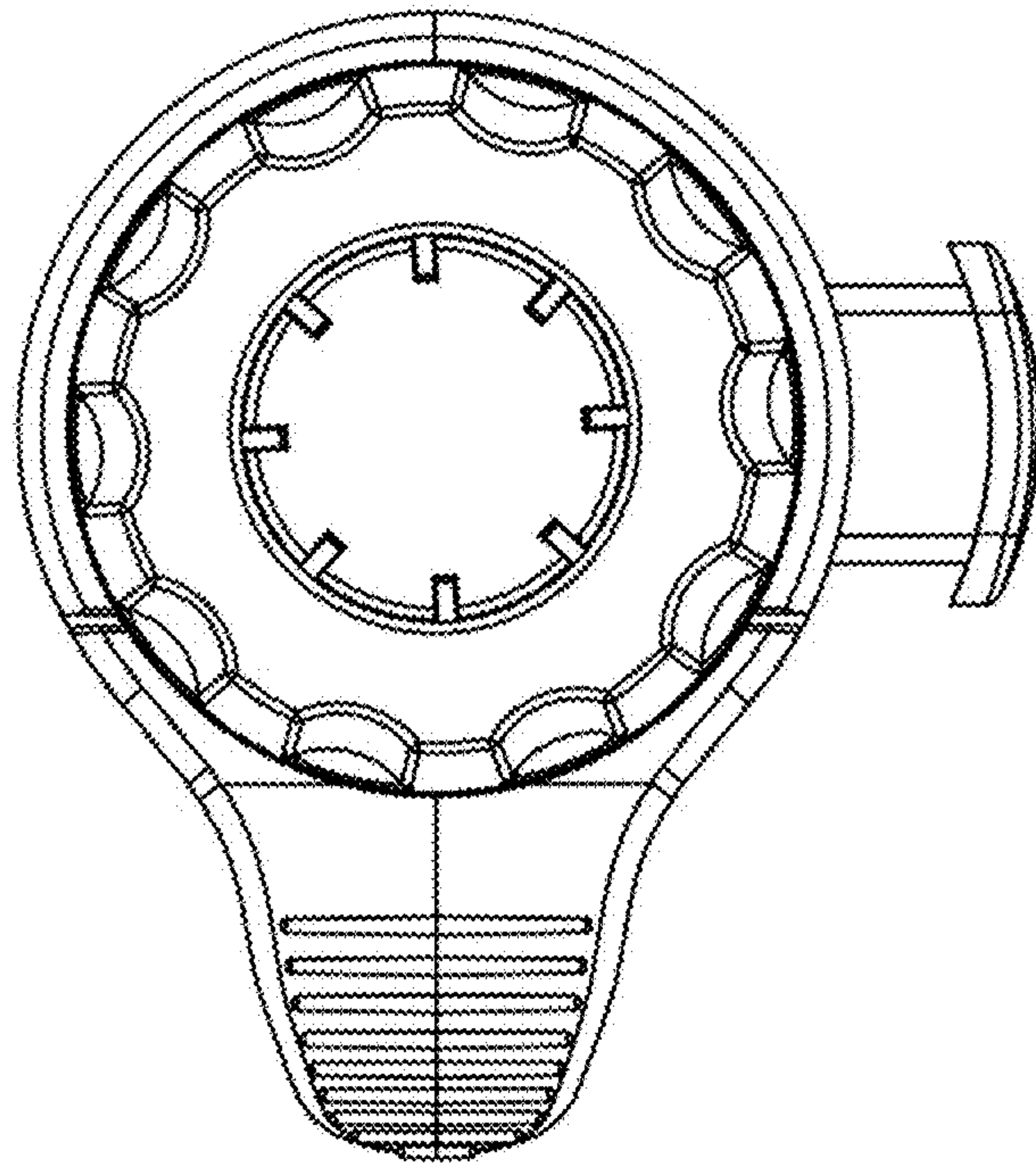
**FIG. 3**



**FIG. 4**

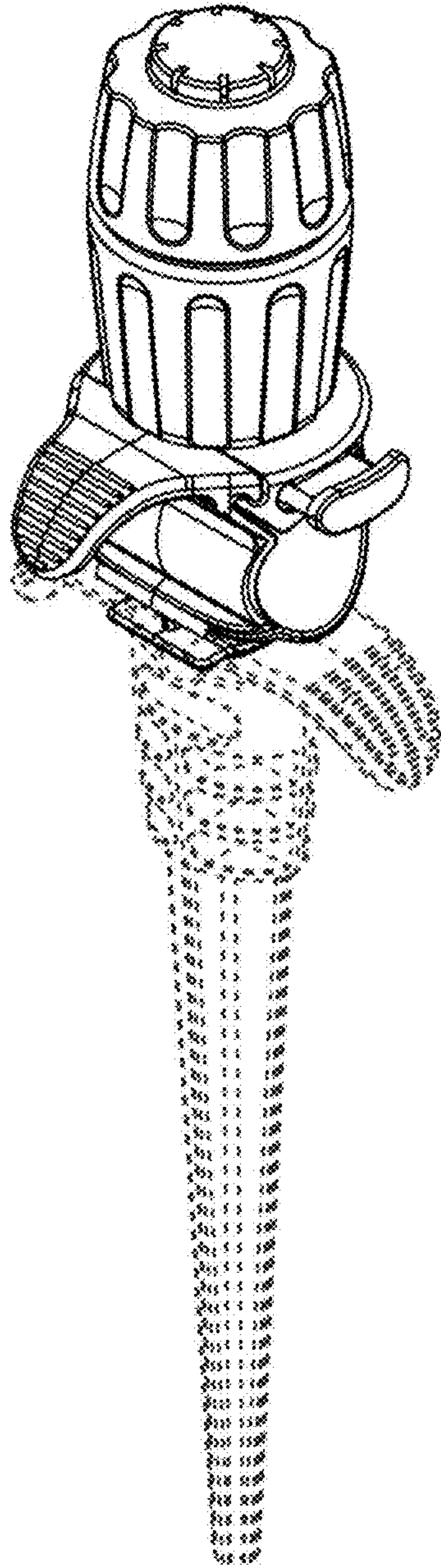


***FIG. 5***



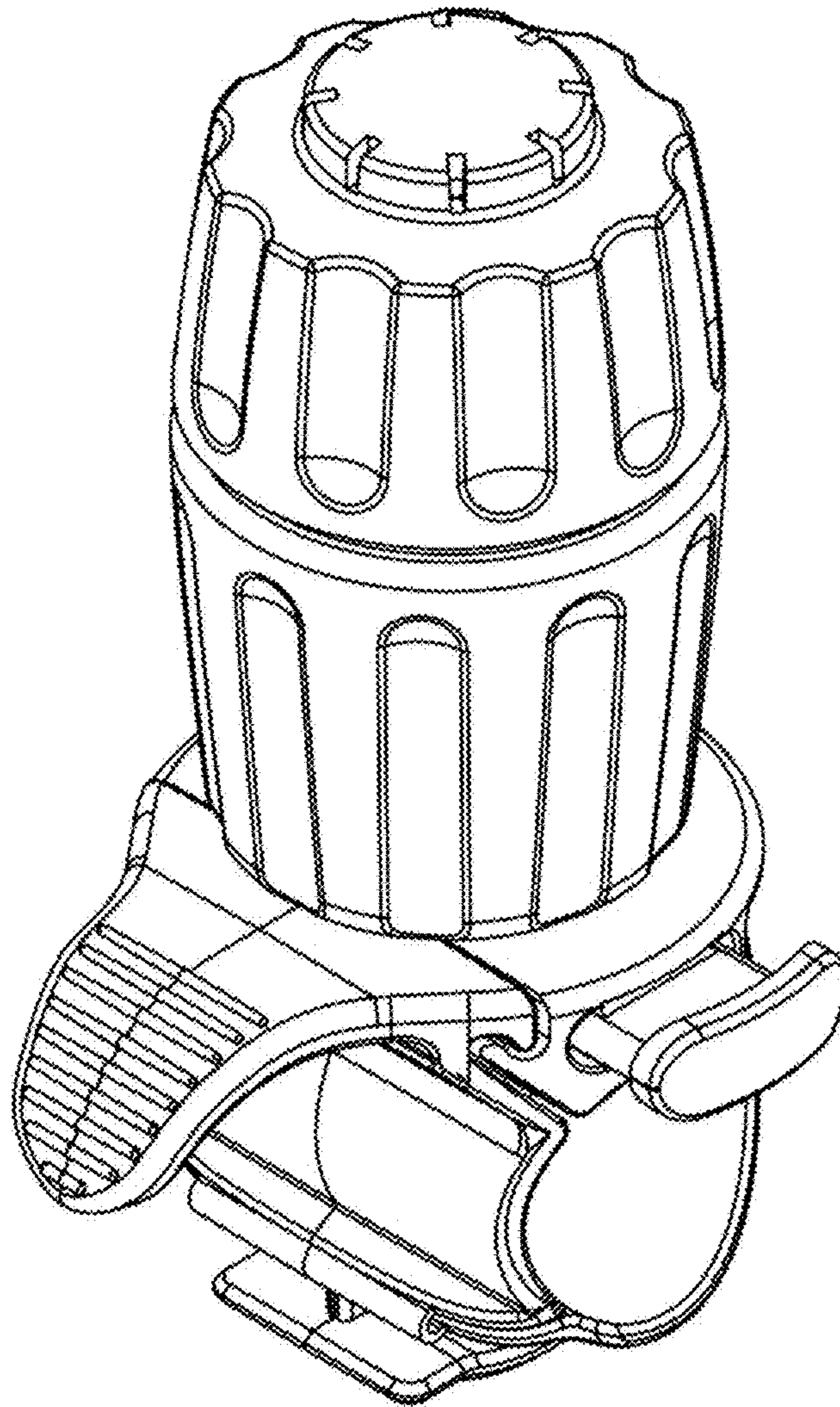
**FIG. 6**





**FIG. 7**





**FIG. 8**