



US00D775311S

(12) **United States Design Patent** (10) **Patent No.:** **US D775,311 S**  
**Cooper et al.** (45) **Date of Patent:** **\*\* Dec. 27, 2016**

(54) **WATER FILTER**

D717,912 S \* 11/2014 Huda ..... D23/209  
D729,344 S \* 5/2015 Colussi ..... D23/209  
D731,617 S \* 6/2015 Kohl ..... D23/209  
D745,308 S \* 12/2015 Roth ..... D23/209

(71) Applicant: **Whirlpool Corporation**, Benton Harbor, MI (US)

\* cited by examiner

(72) Inventors: **David P. Cooper**, Climax, MI (US);  
**Timothy J. Campbell**, Old Hickory, TN (US); **Beth M. Jackson**, St. Joseph, MI (US)

*Primary Examiner* — Robin V Webster

(73) Assignee: **Whirlpool Corporation**, Benton Harbor, MI (US)

(57) **CLAIM**

The ornamental design for a water filter, as shown and described.

(\*\*) Term: **14 Years**

**DESCRIPTION**

(21) Appl. No.: **29/518,455**

(22) Filed: **Mar. 4, 2015**

(51) **LOC (10) Cl.** ..... **23-01**

(52) **U.S. Cl.**  
USPC ..... **D23/209**

(58) **Field of Classification Search**  
USPC ..... D23/207, 209; 210/232, 282, 660  
CPC ..... C02F 1/003  
See application file for complete search history.

FIG. 1 is a top-front perspective view of a water filter according to an embodiment of our design; FIG. 2 is a top-rear perspective view thereof; FIG. 3 is a top view thereof; FIG. 4 is a bottom view thereof; FIG. 5 is a rear elevation view thereof; FIG. 6 is a front elevation view thereof; and, FIG. 7 is a right side elevation view thereof; a left side view being a mirror image thereof.

The broken line showings are of portions of the water filter that form no part of the claimed design.

Dash-dot lines adjacent un-shaded areas represent bounds of the claimed design and form no part of the claimed design themselves.

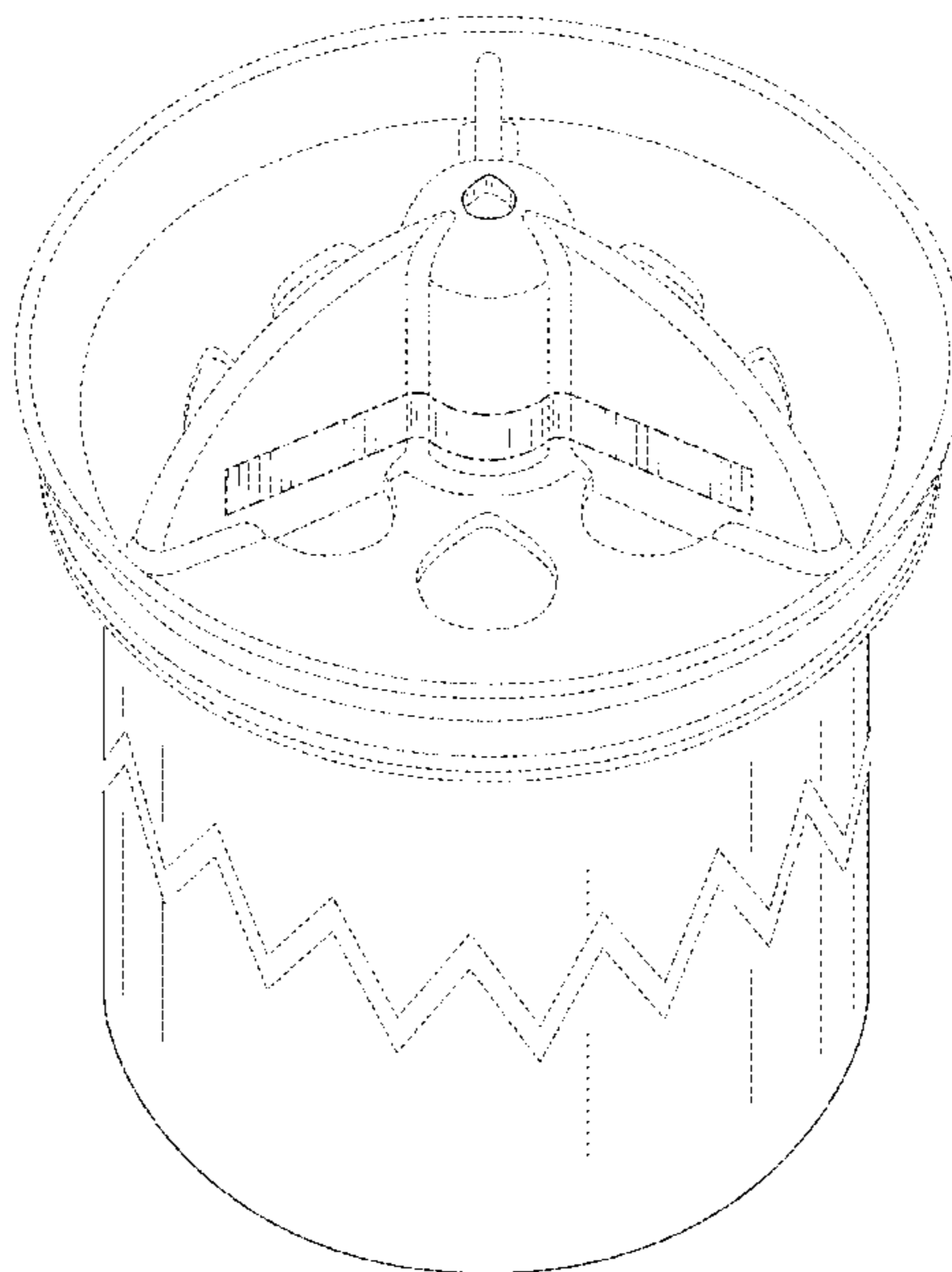
The pairs of closely adjacent, spaced jagged broken lines in the drawings form no part of the claimed design and the portions between such pairs of jagged broken lines are broken away to disclose indeterminate length. Portions of the design that may be visible between the jagged lines have been removed for clarity.

(56) **References Cited**

**U.S. PATENT DOCUMENTS**

D529,127 S \* 9/2006 Cueman ..... D23/209  
D596,703 S \* 7/2009 McKinney ..... D23/209  
8,043,502 B2 \* 10/2011 Nauta ..... C02F 1/003  
210/232  
8,308,942 B2 \* 11/2012 Swain ..... C02F 1/003  
210/206  
D674,464 S \* 1/2013 Wilder ..... D23/209  
8,673,147 B2 \* 3/2014 Merz ..... C02F 1/003  
210/282

**1 Claim, 7 Drawing Sheets**



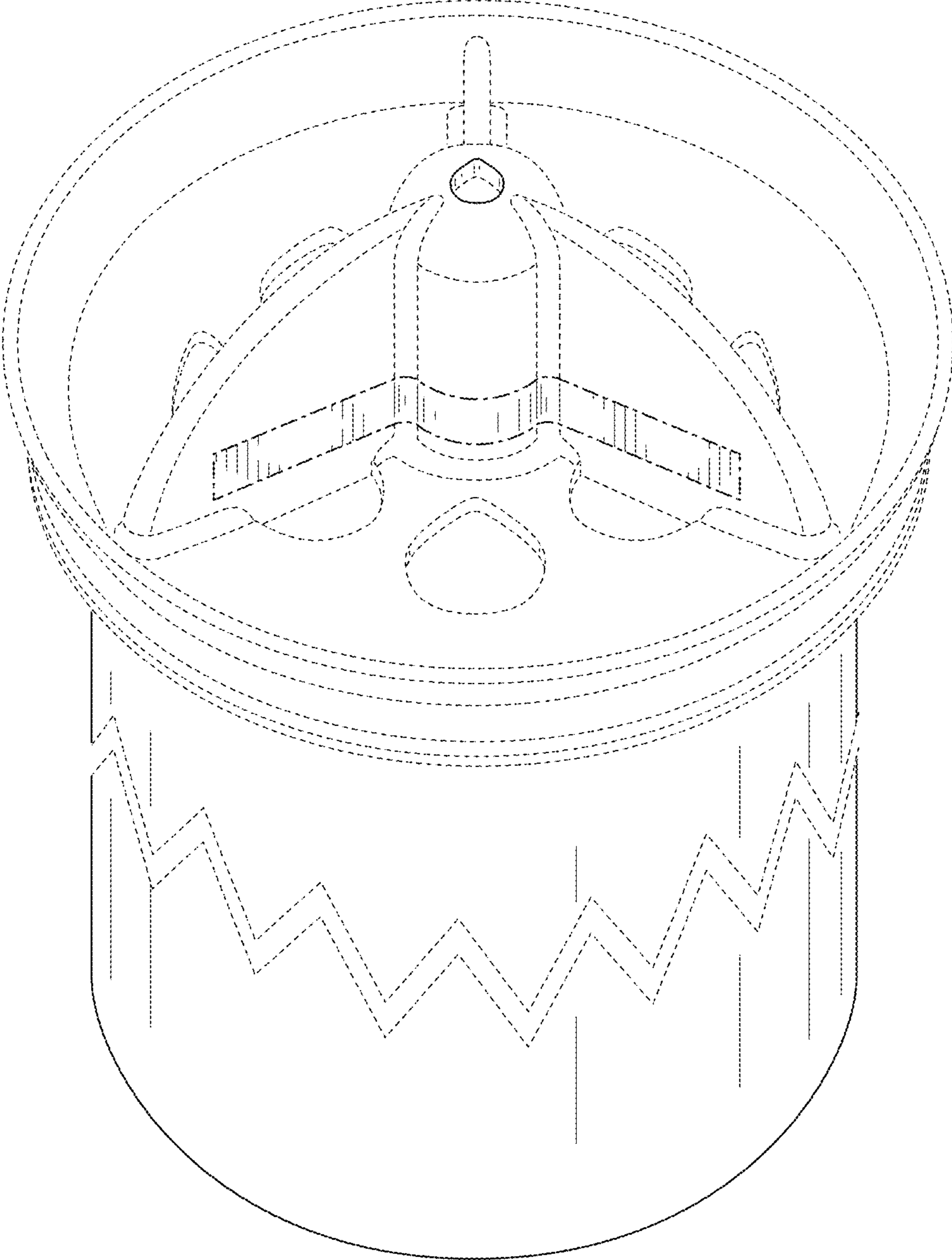


FIG. 1

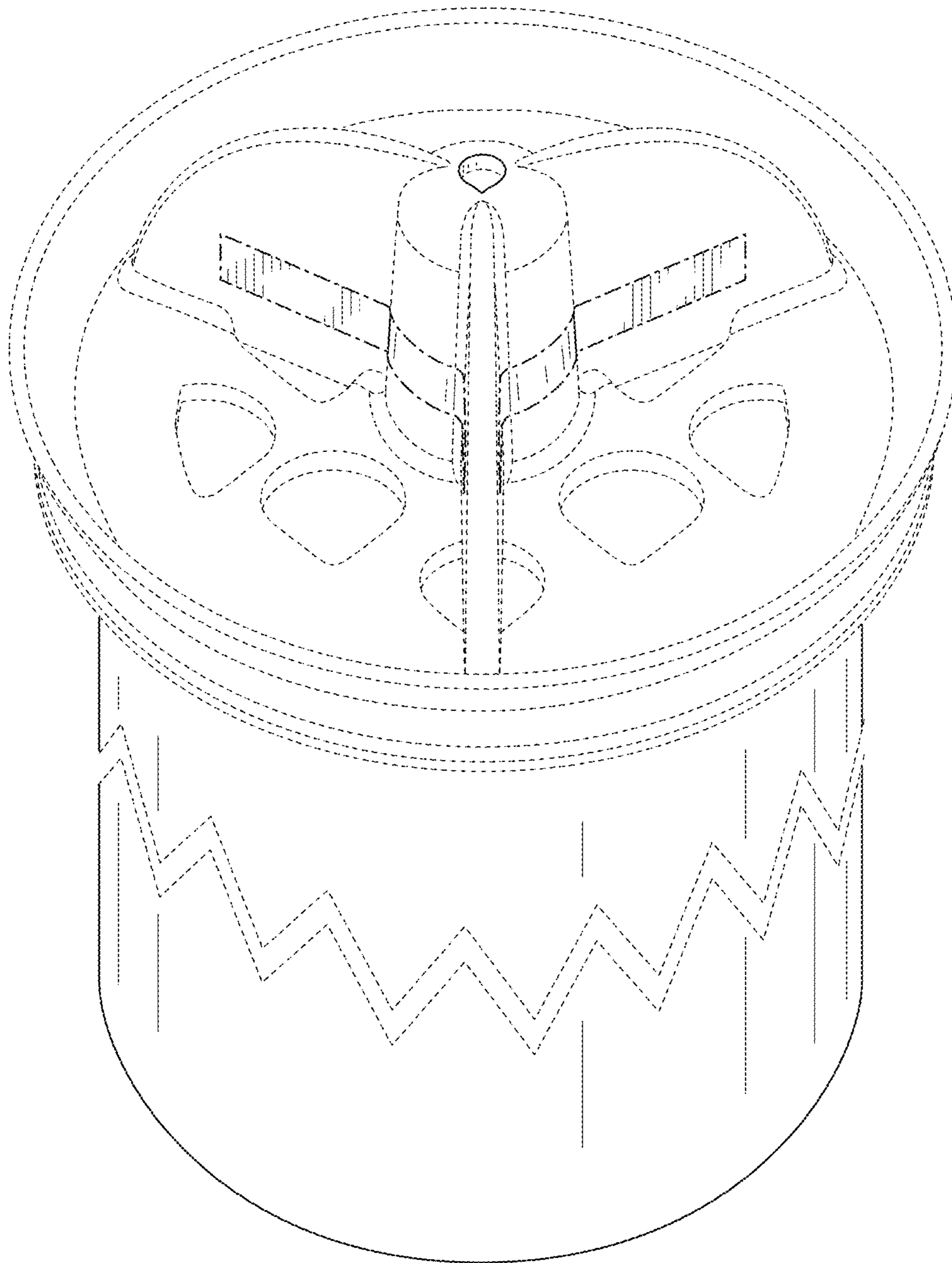


FIG. 2

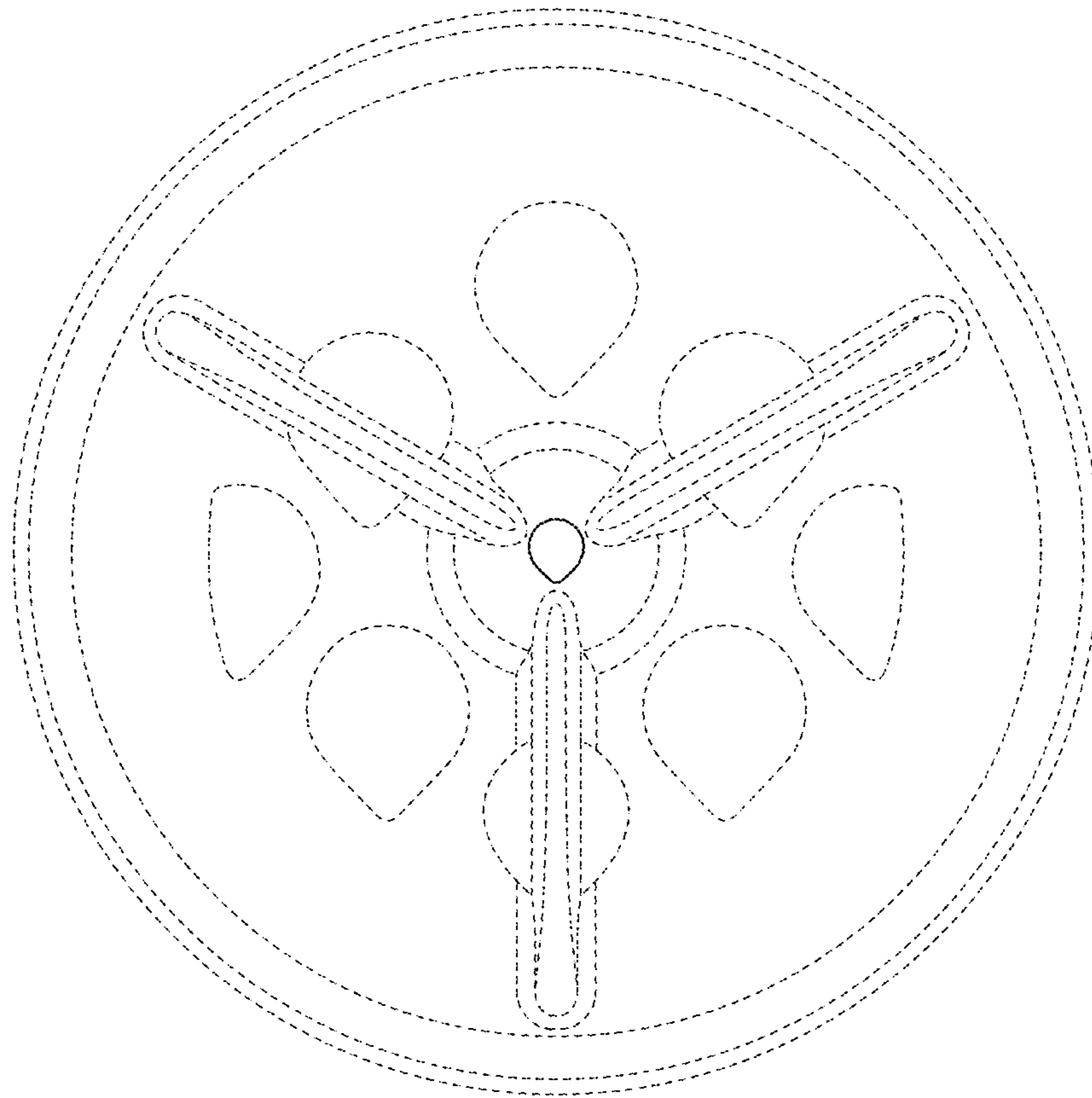


FIG. 3

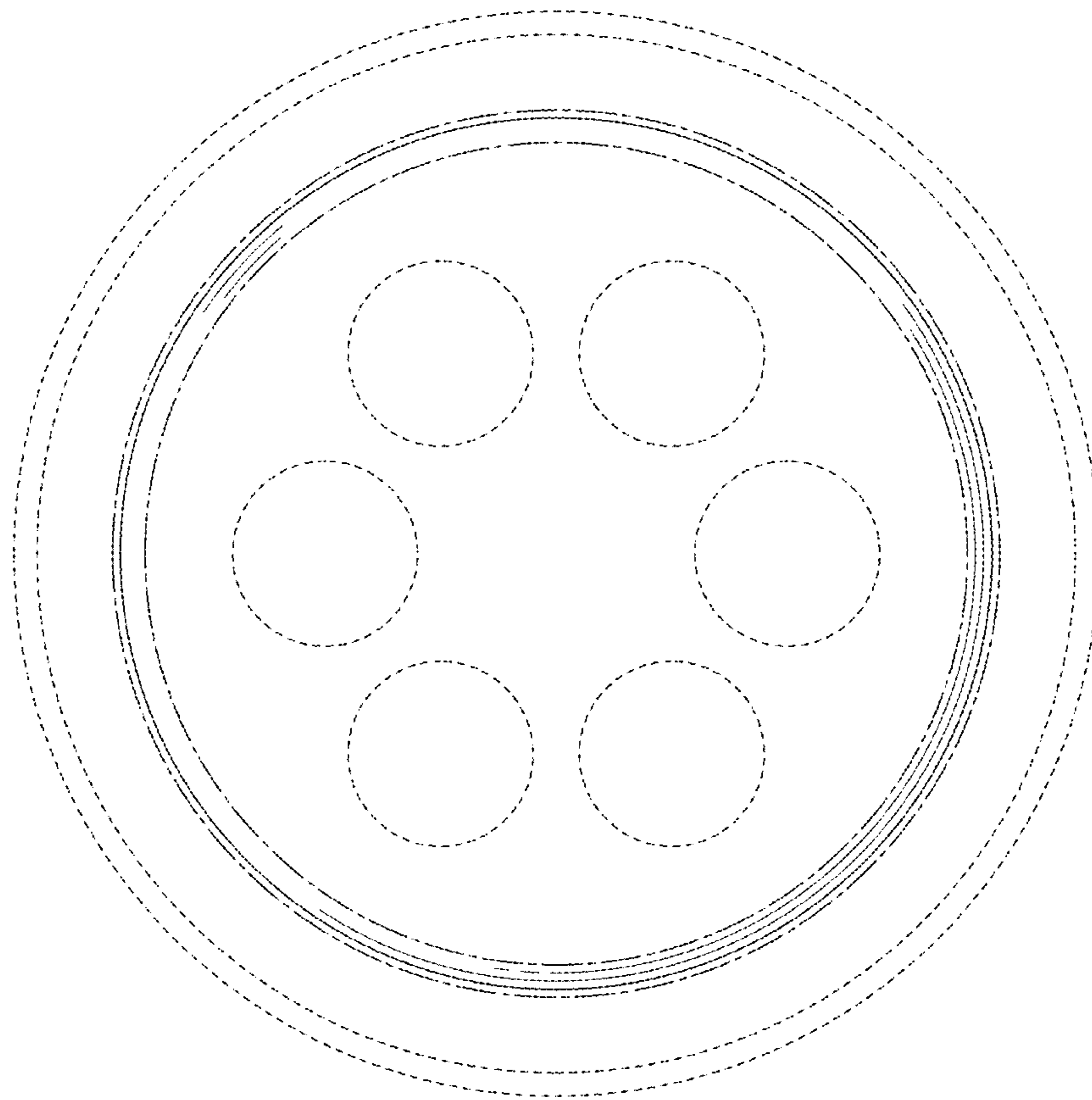


FIG. 4



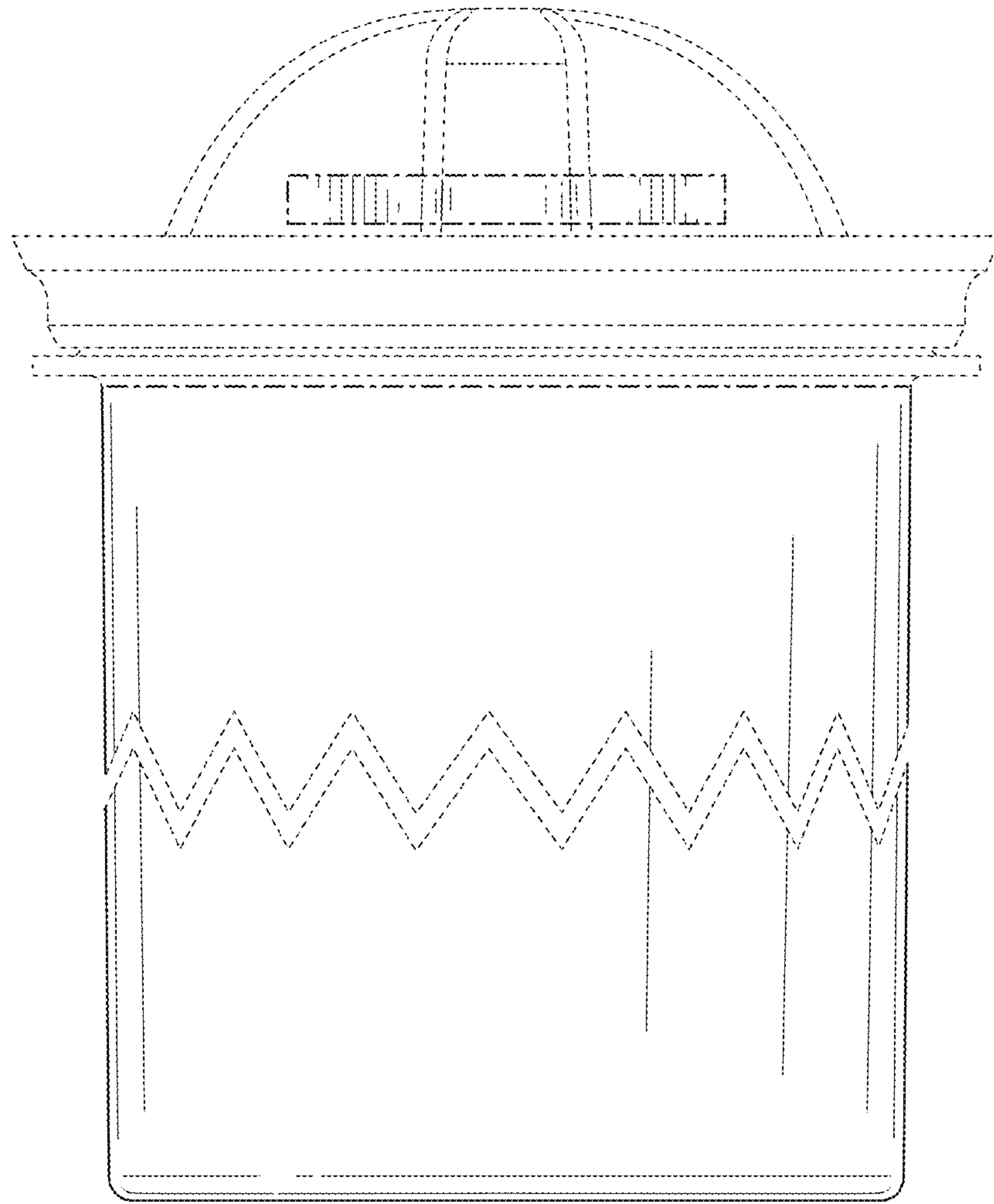


FIG. 5

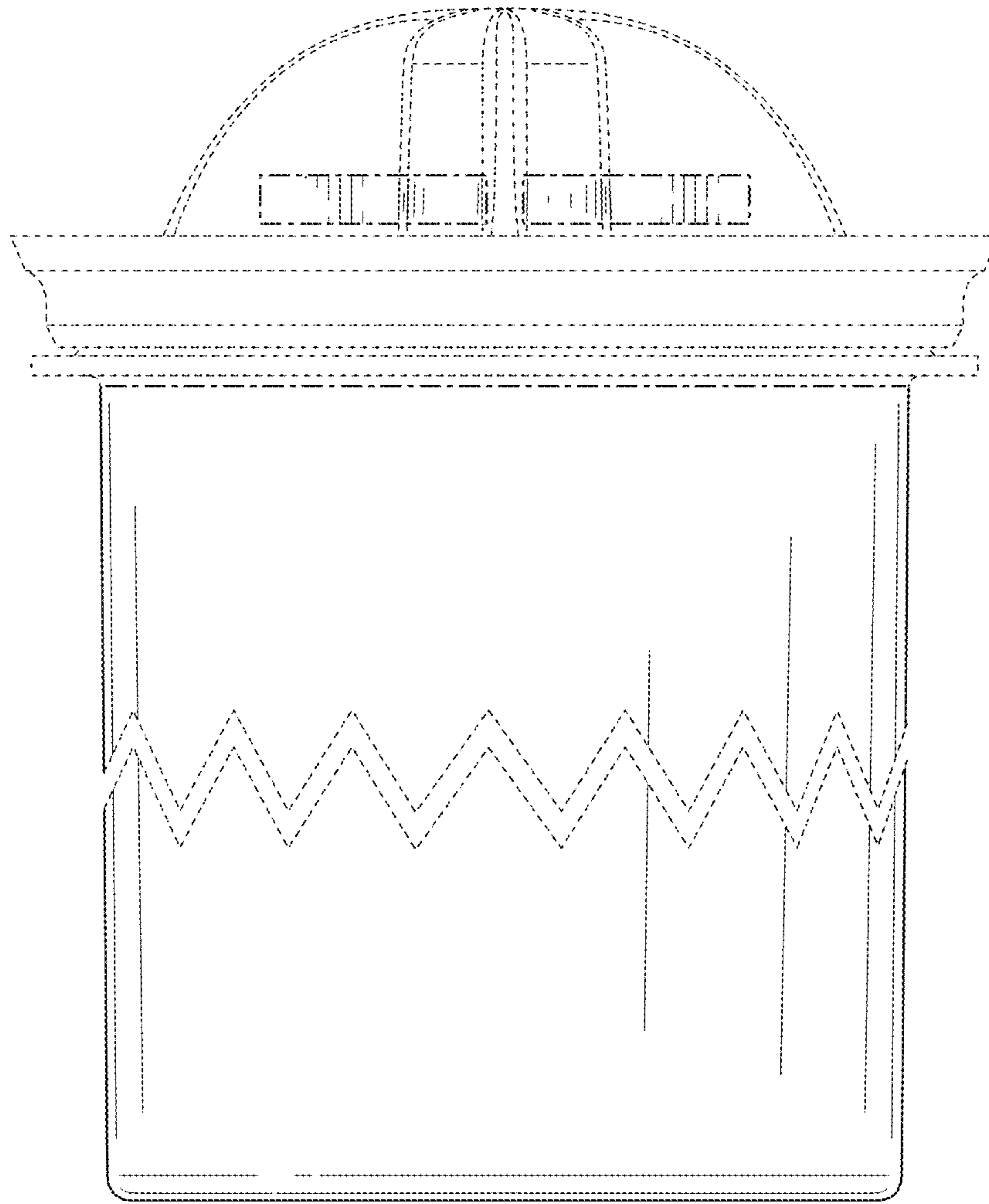


FIG. 6

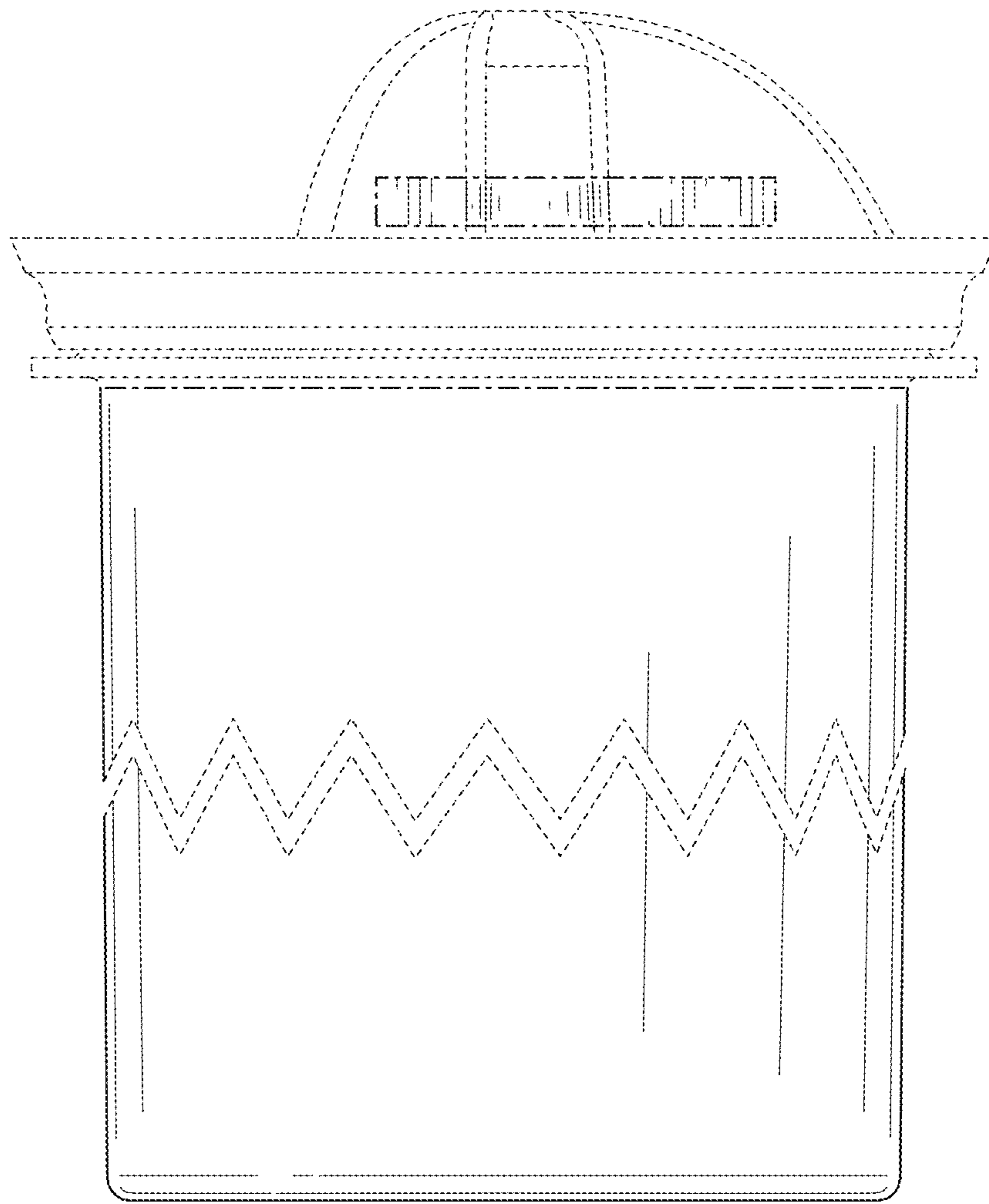


FIG. 7