



US00D775310S

(12) **United States Design Patent**  
**Kremerman**

(10) **Patent No.:** **US D775,310 S**

(45) **Date of Patent:** **\*\* Dec. 27, 2016**

- (54) **BENT DISTILLATION HEAD**
- (71) Applicant: **Elliot Kremerman**, Soquel, CA (US)
- (72) Inventor: **Elliot Kremerman**, Soquel, CA (US)
- (\*\*) Term: **15 Years**
- (21) Appl. No.: **29/560,838**
- (22) Filed: **Apr. 11, 2016**
- (51) **LOC (10) Cl.** ..... **23-01**
- (52) **U.S. Cl.**  
USPC ..... **D23/207; D23/233; D23/268**
- (58) **Field of Classification Search**  
USPC ..... D23/207, 209, 213, 233, 259, 266, 268;  
202/83, 255, 257, 270  
CPC ..... B01D 3/04; B01D 3/008  
See application file for complete search history.

- 4,417,565 A 11/1983 Karpinia
- 4,425,285 A 1/1984 Shimoi et al.
- 4,511,519 A 4/1985 Hsia
- D293,128 S 12/1987 Karamian
- D293,368 S 12/1987 Karamian
- 4,747,538 A 5/1988 Dunn et al.
- D303,703 S 9/1989 Padilla
- D306,338 S 2/1990 Rempe et al.
- D313,062 S 12/1990 Palmer
- D314,225 S 1/1991 Palmer et al.
- D316,739 S 5/1991 Erickson et al.
- D339,862 S 9/1993 Weber et al.
- D344,571 S 2/1994 Peasley
- 5,489,532 A 2/1996 Charm et al.
- D389,556 S 1/1998 Feldman et al.

(Continued)

*Primary Examiner* — Robin V Webster

(74) *Attorney, Agent, or Firm* — Michael J. Feigin, Esq.;  
Feigin & Fridman

(56) **References Cited**

U.S. PATENT DOCUMENTS

- 1,970,346 A \* 8/1934 Symons ..... C10M 175/00  
196/104
- 3,672,959 A \* 6/1972 Sweet ..... C02F 1/18  
202/181
- 3,830,705 A \* 8/1974 Dewegeli ..... B01D 3/02  
202/189
- 3,980,526 A \* 9/1976 Kirschmann ..... B01D 3/02  
202/180
- D249,051 S 8/1978 Hansrote
- D249,052 S 8/1978 Hansrote
- D249,053 S 8/1978 Hansrote
- D249,054 S 8/1978 Hansrote
- D249,055 S 8/1978 Hansrote
- D249,056 S 8/1978 Hansrote
- D249,057 S 8/1978 Hansrote
- 4,157,967 A 6/1979 Meyst et al.
- 4,159,817 A 7/1979 Ikawa
- D254,441 S 3/1980 Lemoine
- 4,385,988 A 5/1983 Hypponen

(57) **CLAIM**

The ornamental design for a bent distillation head, as shown and described.

**DESCRIPTION**

FIG. 1 shows a bottom and side perspective view of the bent distillation head.

FIG. 2 shows a top and reverse side perspective view thereof.

FIG. 3 shows a side perspective view thereof.

FIG. 4 shows a top view thereof.

FIG. 5 shows a bottom view thereof.

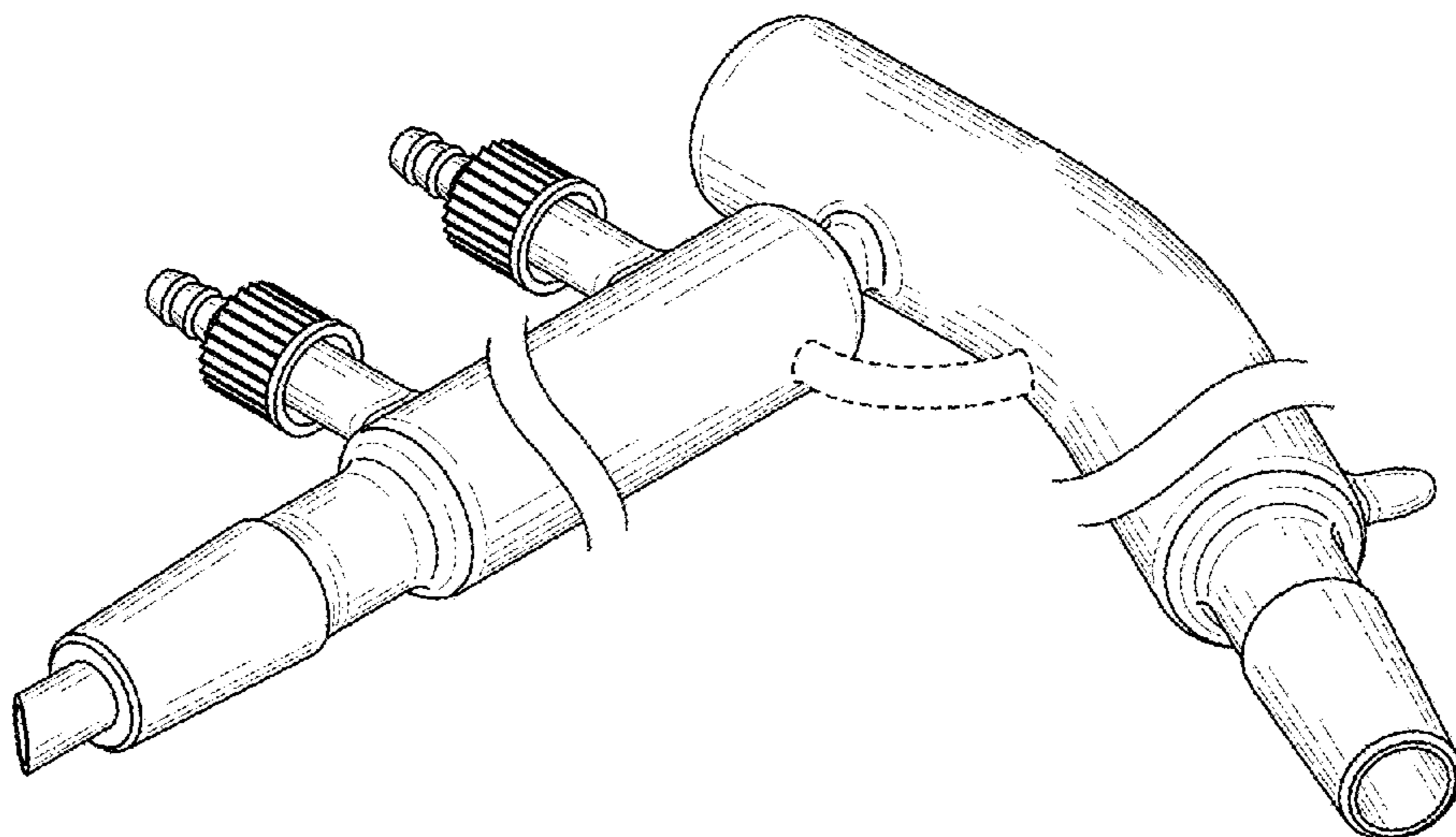
FIG. 6 shows a left side view thereof; and,

FIG. 7 shows a right side view thereof.

The wavy lines shown on the tubular portions of the claimed design indicates non-specified length.

The broken line showing between the pipes is included for the purpose of illustrating and forms no part of the claimed design.

**1 Claim, 5 Drawing Sheets**



(56)

**References Cited**

U.S. PATENT DOCUMENTS

D392,368	S	3/1998	Micoley	
D412,550	S	8/1999	Bell	
D415,818	S	10/1999	Kruepke et al.	
D420,425	S	2/2000	Micoley et al.	
6,053,422	A	4/2000	Polzin et al.	
D425,174	S	5/2000	Swancara	
D444,204	S	6/2001	Hilgers et al.	
D444,843	S	7/2001	Hilgers et al.	
D444,844	S	7/2001	Hilgers et al.	
D444,845	S	7/2001	Hilgers et al.	
6,290,819	B1 *	9/2001	Land .....	B01D 3/42 202/181
D455,813	S	4/2002	Mount	
D458,340	S	6/2002	Lindahl	
D465,012	S *	10/2002	Tauzer .....	D23/213
6,644,560	B2	11/2003	Polzin et al.	
D499,166	S *	11/2004	Weidmann .....	D23/209
D595,391	S *	6/2009	Weltman .....	D23/268
D625,777	S *	10/2010	Loffler .....	D23/233
D654,558	S *	2/2012	Zeng .....	D23/208
D690,800	S *	10/2013	Ren .....	D23/233
D705,391	S *	5/2014	Okazaki .....	D23/207
D706,386	S	6/2014	Amber et al.	
D707,792	S	6/2014	Collins et al.	
D715,894	S	10/2014	Meder	
D720,425	S	12/2014	Caldwell	
D727,460	S	4/2015	Collins et al.	
D731,615	S	6/2015	Ambler et al.	

\* cited by examiner

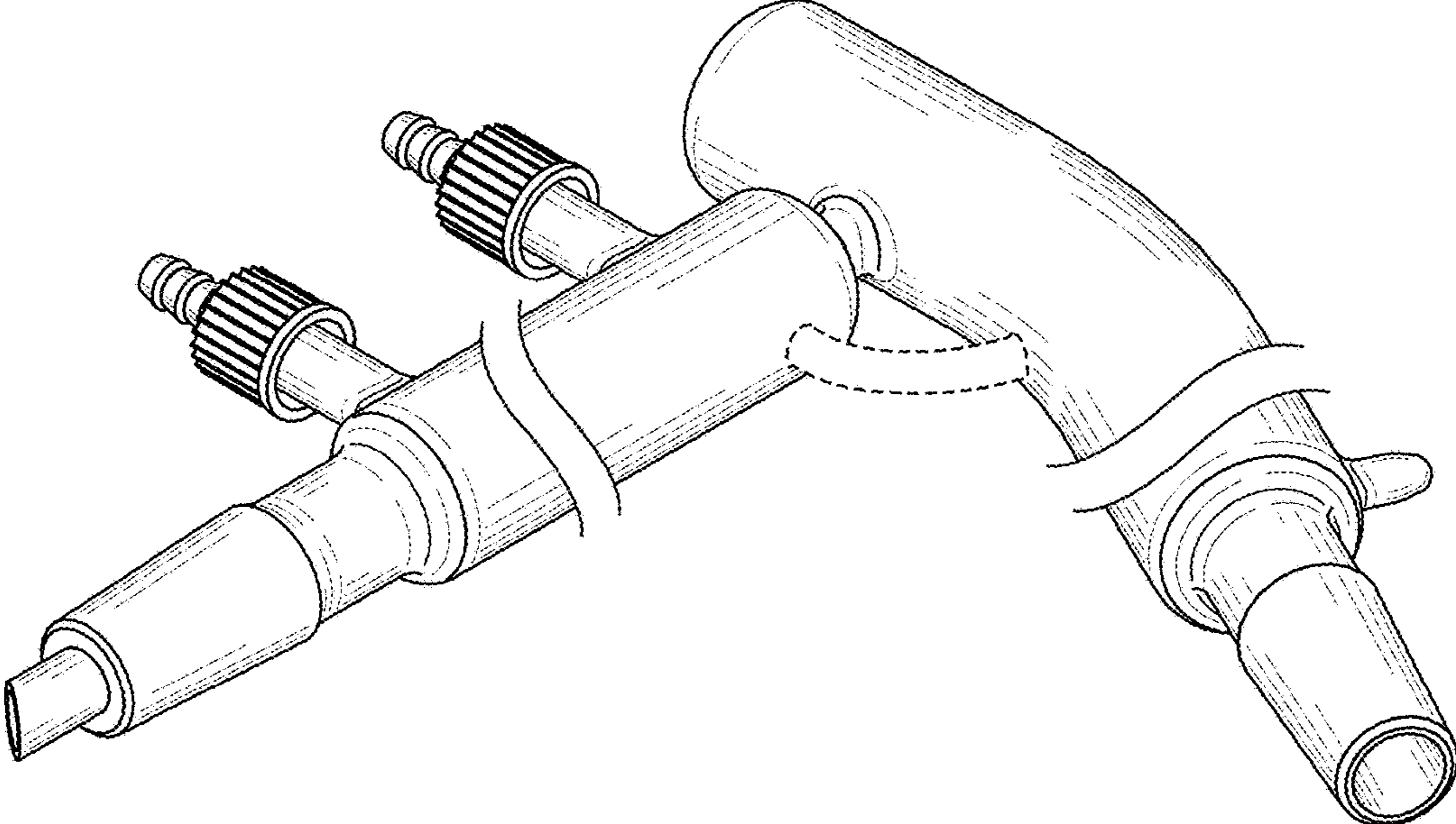


FIG. 1

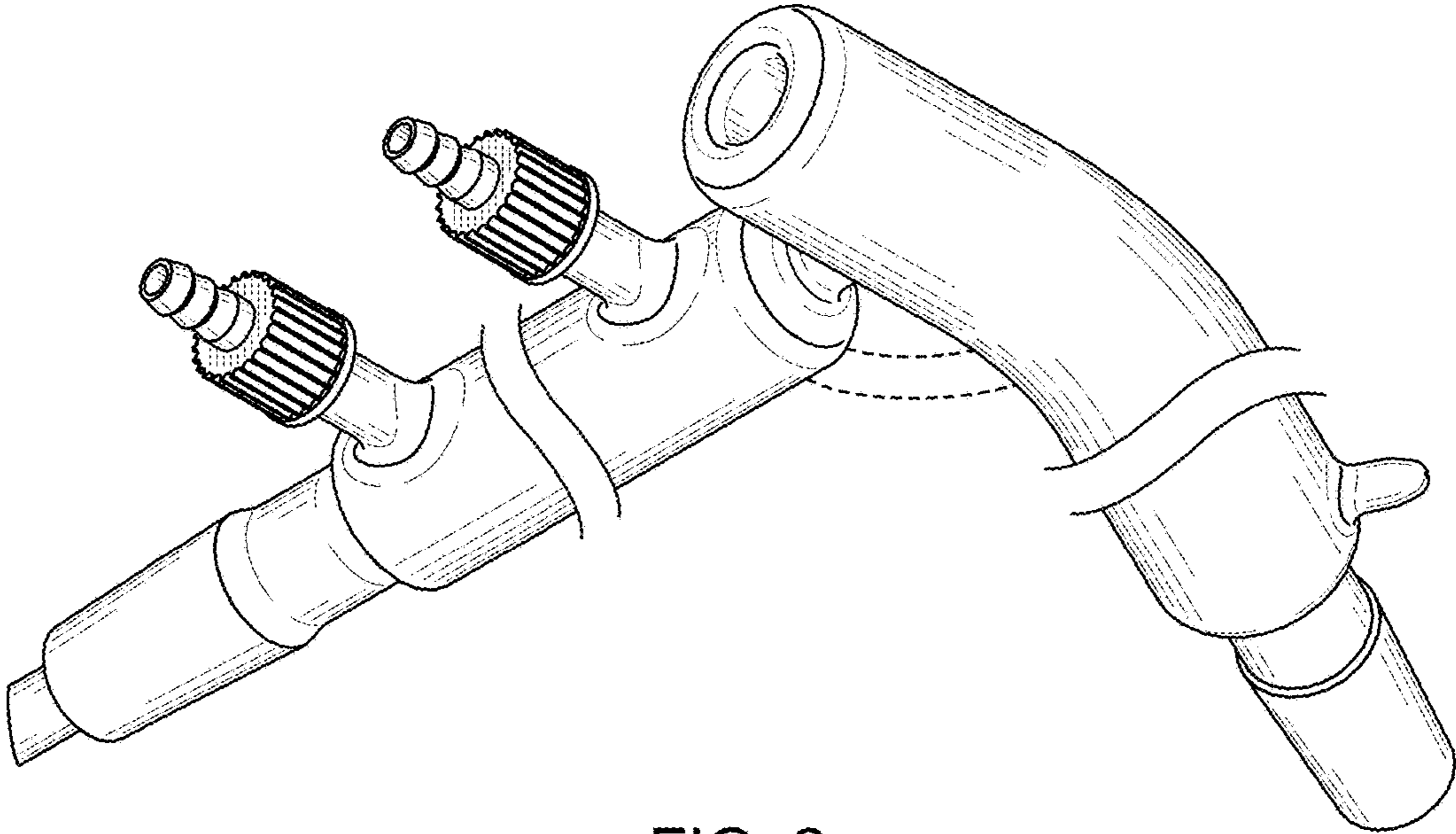


FIG. 2

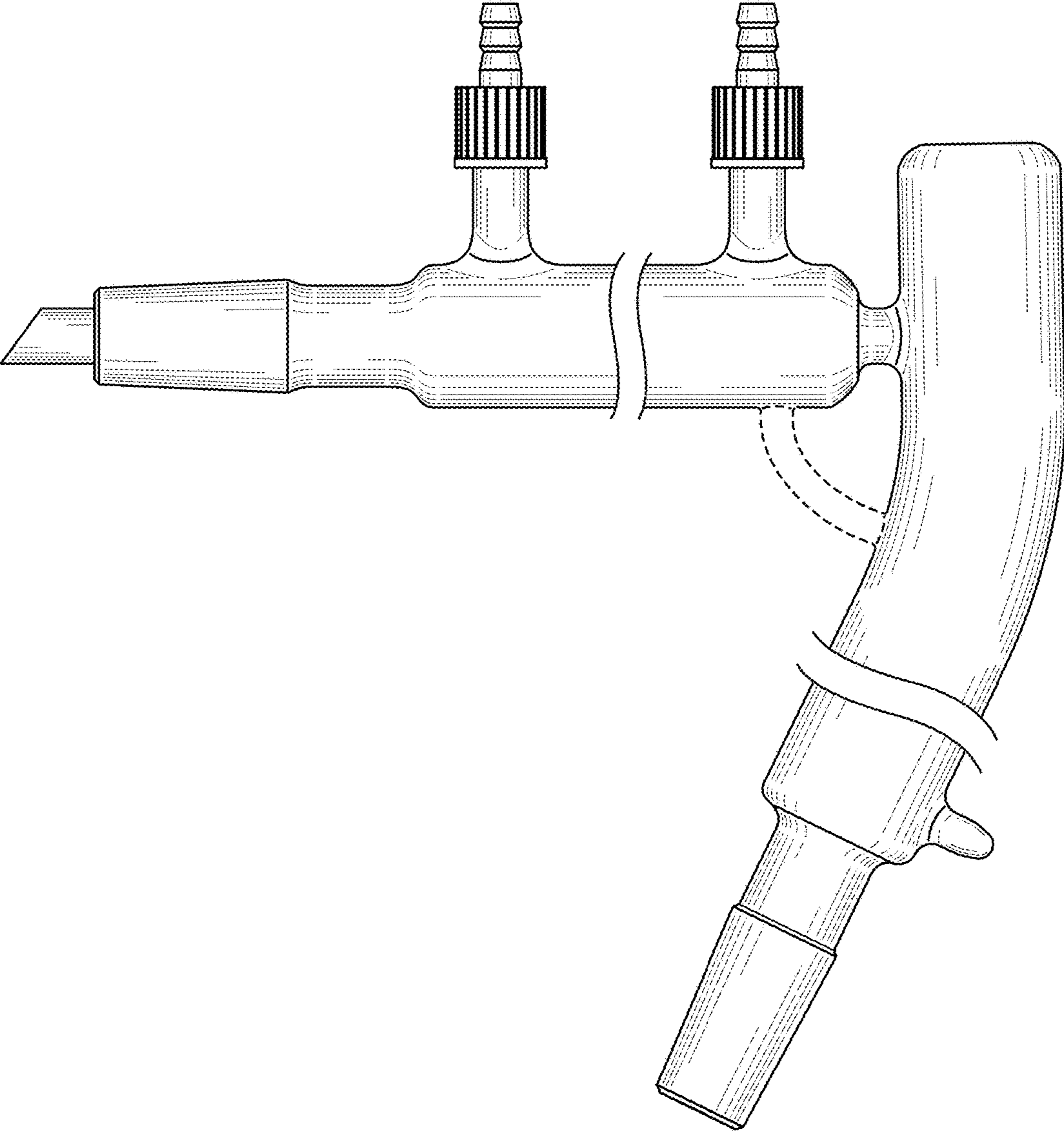


FIG. 3

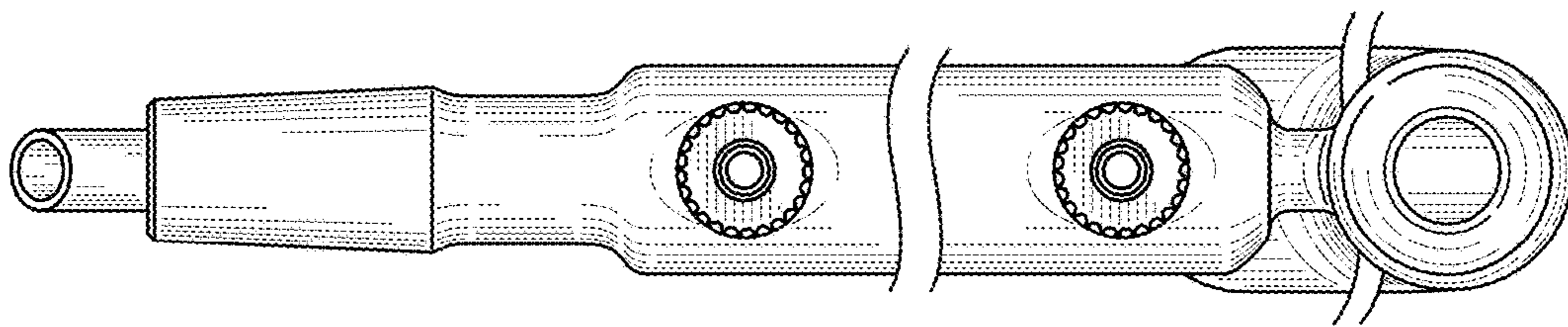


FIG. 4

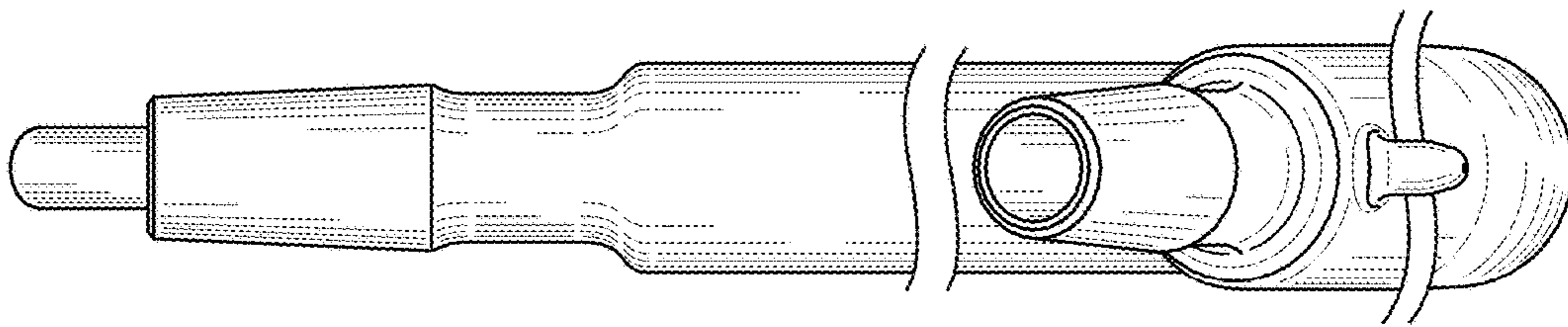


FIG. 5

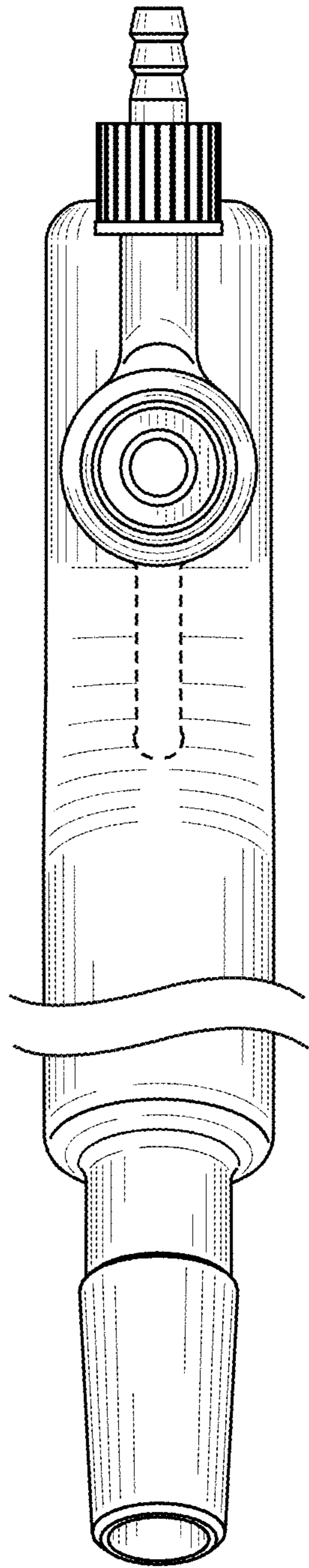


FIG. 6

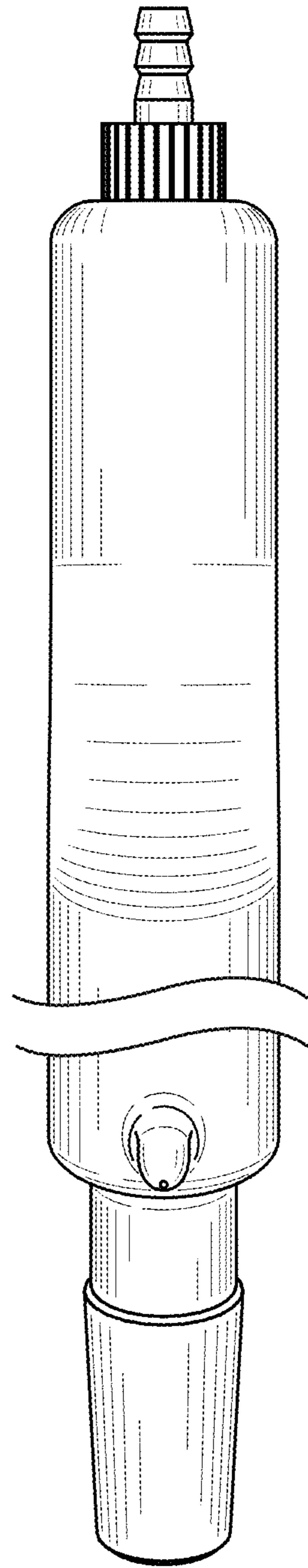


FIG. 7