



US00D775306S

(12) **United States Design Patent**
Bodge

(10) **Patent No.:** **US D775,306 S**

(45) **Date of Patent:** **** Dec. 27, 2016**

(54) **FISHING TRAP**

(71) Applicant: **Kenneth Wayne Bodge**, Anchorage, AK (US)

(72) Inventor: **Kenneth Wayne Bodge**, Anchorage, AK (US)

(**) Term: **15 Years**

(21) Appl. No.: **29/533,921**

(22) Filed: **Jul. 23, 2015**

(51) **LOC (10) Cl.** **22-06**

(52) **U.S. Cl.**
USPC **D22/121**

(58) **Field of Classification Search**
USPC D22/119–124, 125, 126; D30/115, 117, D30/124, 128; D21/488; D14/204, 216, D14/221; D32/29.1; D26/37; D9/424, D9/428, 432
CPC A01M 1/00; A01M 1/06; A01M 1/10; A01M 1/103; A01M 1/106; A01M 1/14; A01M 1/165; A01M 1/2005; A01M 1/2011; A01M 1/2016; A01M 2200/01; A01M 2200/011; A01M 2200/012
See application file for complete search history.

(56) **References Cited**

U.S. PATENT DOCUMENTS

2,026,393	A *	12/1935	Linck	A01M 1/10 43/121
2,722,019	A	11/1955	Brock		
3,162,870	A	12/1964	Laird		
3,487,486	A	1/1970	Leonard et al.		
3,729,755	A	5/1973	Cochrane		
3,871,044	A	3/1975	Wedrall		

(Continued)

OTHER PUBLICATIONS

Water.Mark, Quadrafoil Larval Fish Light Trap, as posted at forestry-suppliers.com [online], posting date not available [site visited Oct. 27, 2016]. Available from the Internet, <URL: http://www.forestrysuppliers.com/product_pages/Products.asp?mi=88740&itemnum=78000&title=WaterMark® QuadrafoilLarvalFishLightTrap>.*

Primary Examiner — Jeffrey D Asch

Assistant Examiner — Rebekah A Caruso

(74) *Attorney, Agent, or Firm* — Dorsey & Whitney LLP

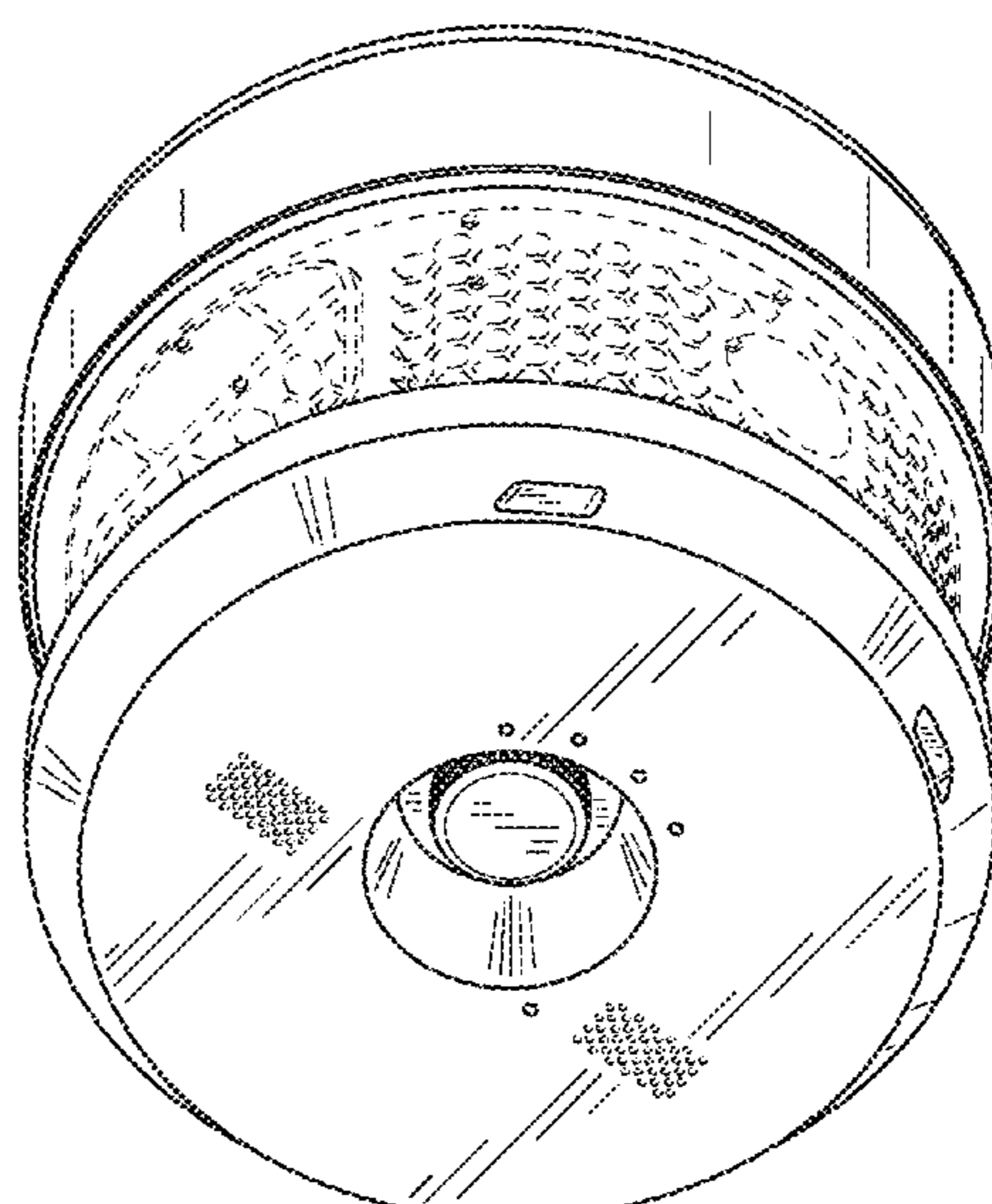
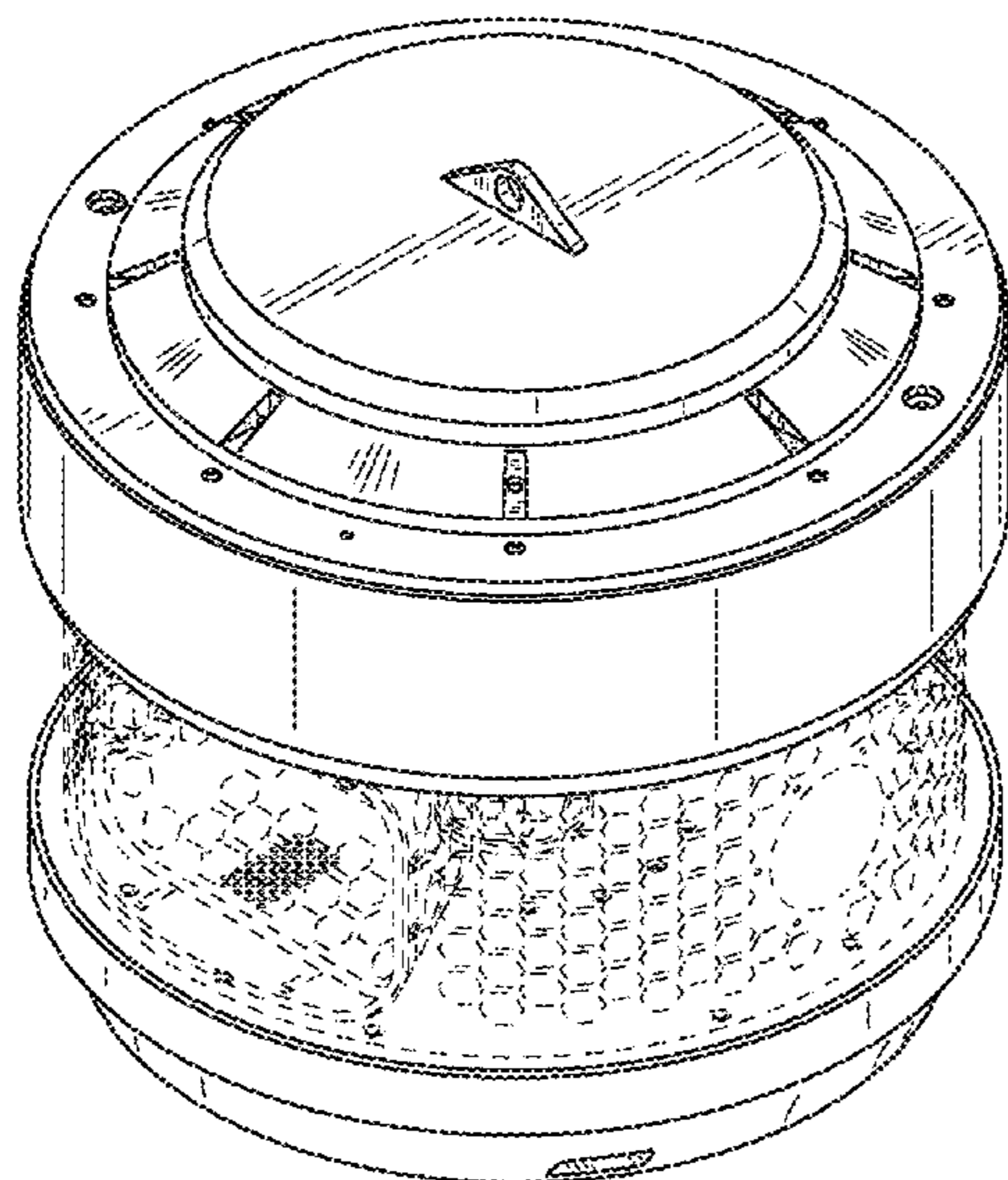
(57) **CLAIM**

The ornamental design for a fishing trap, as shown and described.

DESCRIPTION

FIG. 1 is a front perspective view of a fishing trap; FIG. 2 is a back perspective view of the fishing trap of FIG. 1; FIG. 3 is a bottom front perspective view of the fishing trap of FIG. 1; FIG. 4 is a bottom left perspective view of the fishing trap of FIG. 1; FIG. 5 is a front view of the fishing trap of FIG. 1; FIG. 6 is a back view of the fishing trap of FIG. 1; FIG. 7 is a left side view of the fishing trap of FIG. 1; FIG. 8 is a right side view of the fishing trap of FIG. 1; FIG. 9 is a top view of the fishing trap of FIG. 1; and, FIG. 10 is a bottom view of the fishing trap of FIG. 1. The broken lines shown in the figures that are immediately adjacent to the shaded areas and define unshaded regions including the series of small circular openings on the bottom of the fishing trap in FIGS. 3, 4, and 10, represent the bounds of the claim. All other broken lines, including the features within broken line boundaries, are directed to environment. The broken lines form no part of the claimed design.

1 Claim, 10 Drawing Sheets



(56)

References Cited

U.S. PATENT DOCUMENTS

3,889,307	A	6/1975	Houot	
4,034,693	A	7/1977	Challenger	
4,262,379	A	4/1981	Jankiewicz	
D268,520	S *	4/1983	LeCaire Jr.	D23/369
4,778,422	A	10/1988	Saulnier et al.	
4,834,684	A	5/1989	Tallerino	
D332,987	S *	2/1993	Der-Jinn	D22/120
D350,192	S *	8/1994	Patel	D23/366
6,261,142	B1	7/2001	Fiotakis	
6,383,045	B1	5/2002	Eckardt	
D484,562	S *	12/2003	Casteel	D22/122
7,007,861	B2 *	3/2006	Ketcha	A01M 1/205 239/128
D566,225	S *	4/2008	Cink	D22/122
D577,413	S *	9/2008	Long	D22/122
D620,480	S *	7/2010	Garrett	D14/216
D625,295	S *	10/2010	Nogueira	D14/218
D627,670	S *	11/2010	Gonzales	D10/106.5
D673,641	S *	1/2013	Robinson	D22/122
D681,771	S *	5/2013	Kaufmann	D22/121
D731,465	S *	6/2015	Khubani	D14/216
D734,829	S *	7/2015	Zhang	D22/122
D744,060	S *	11/2015	Mackay	D22/122

* cited by examiner

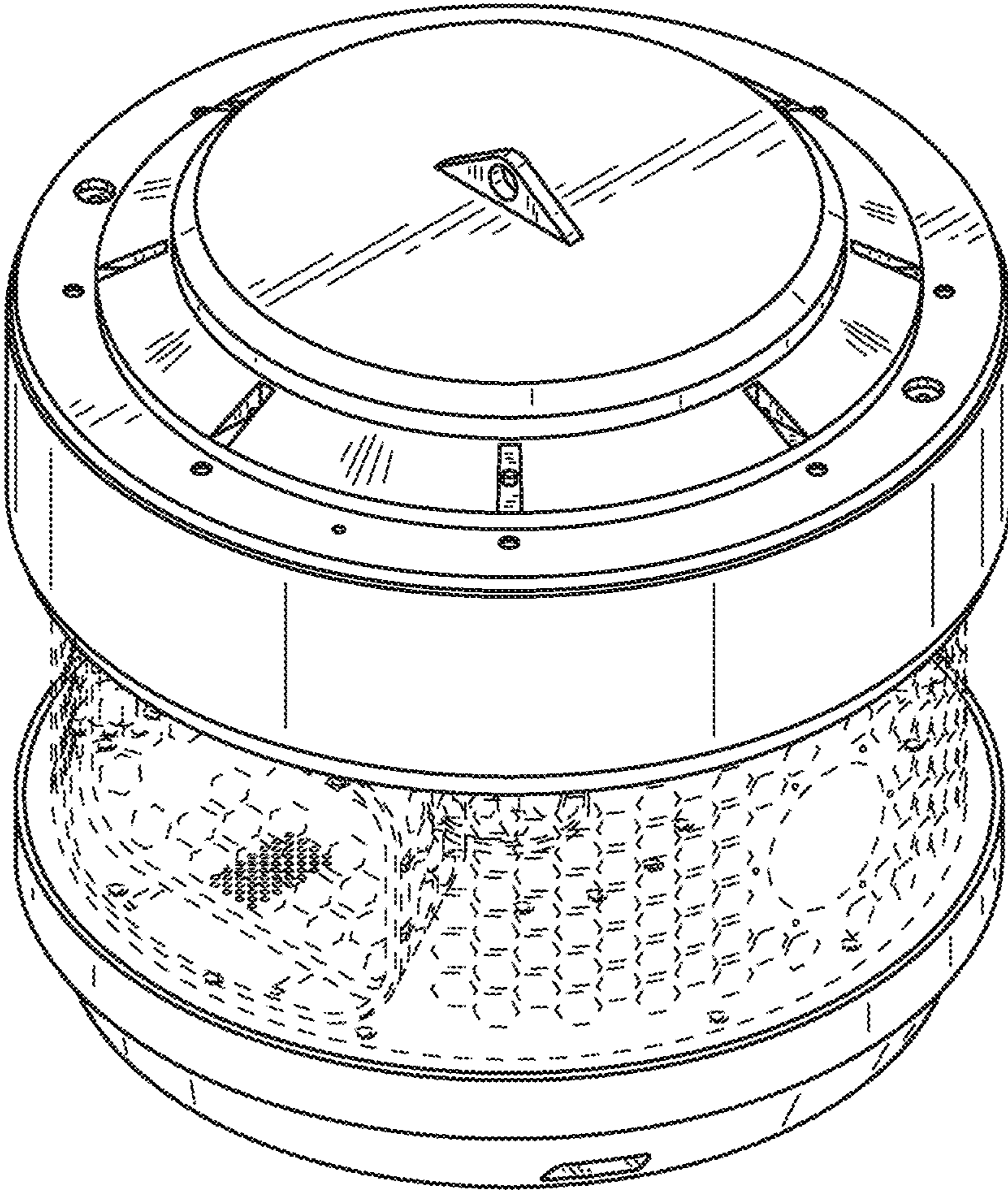


FIG.1

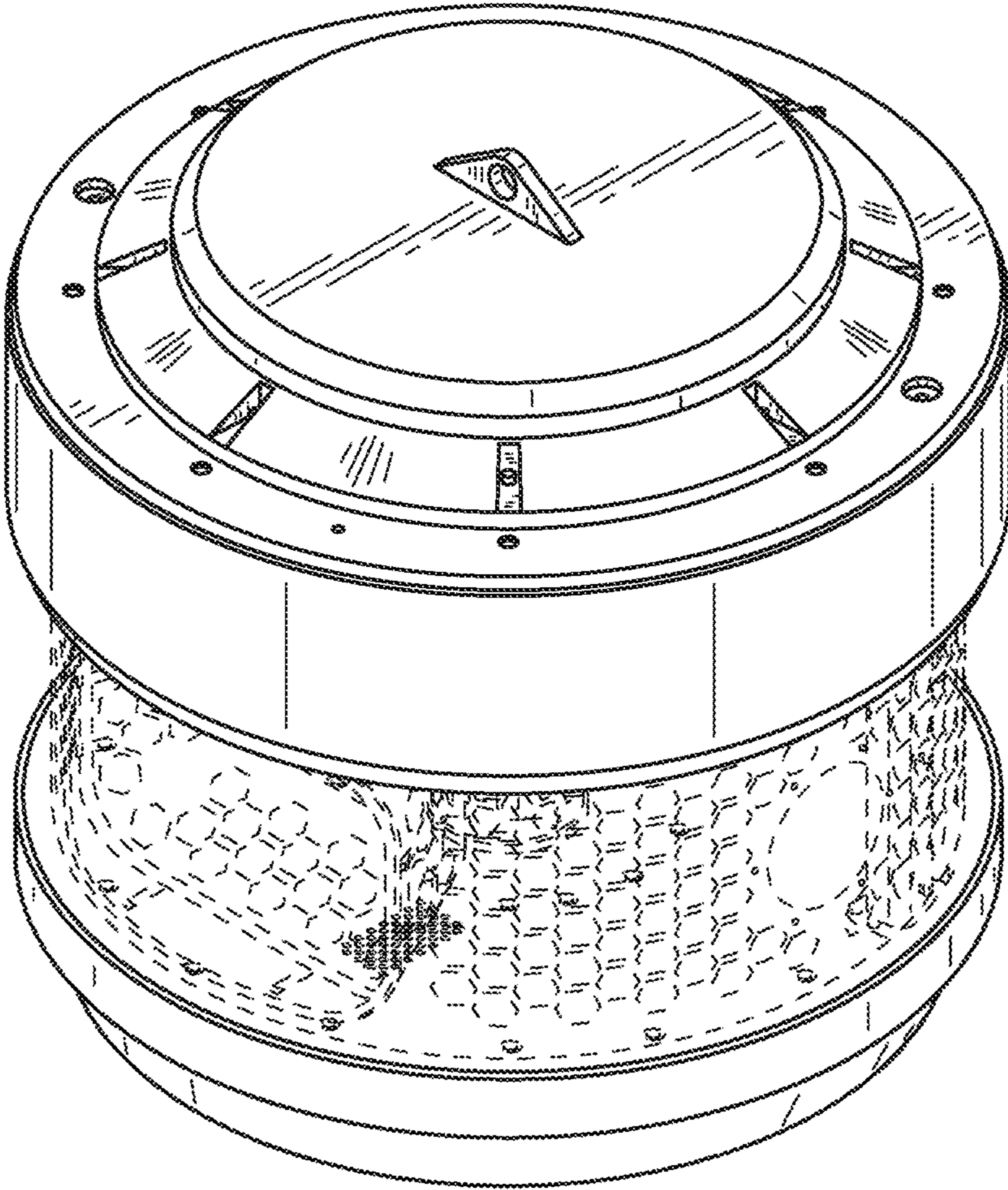


FIG.2

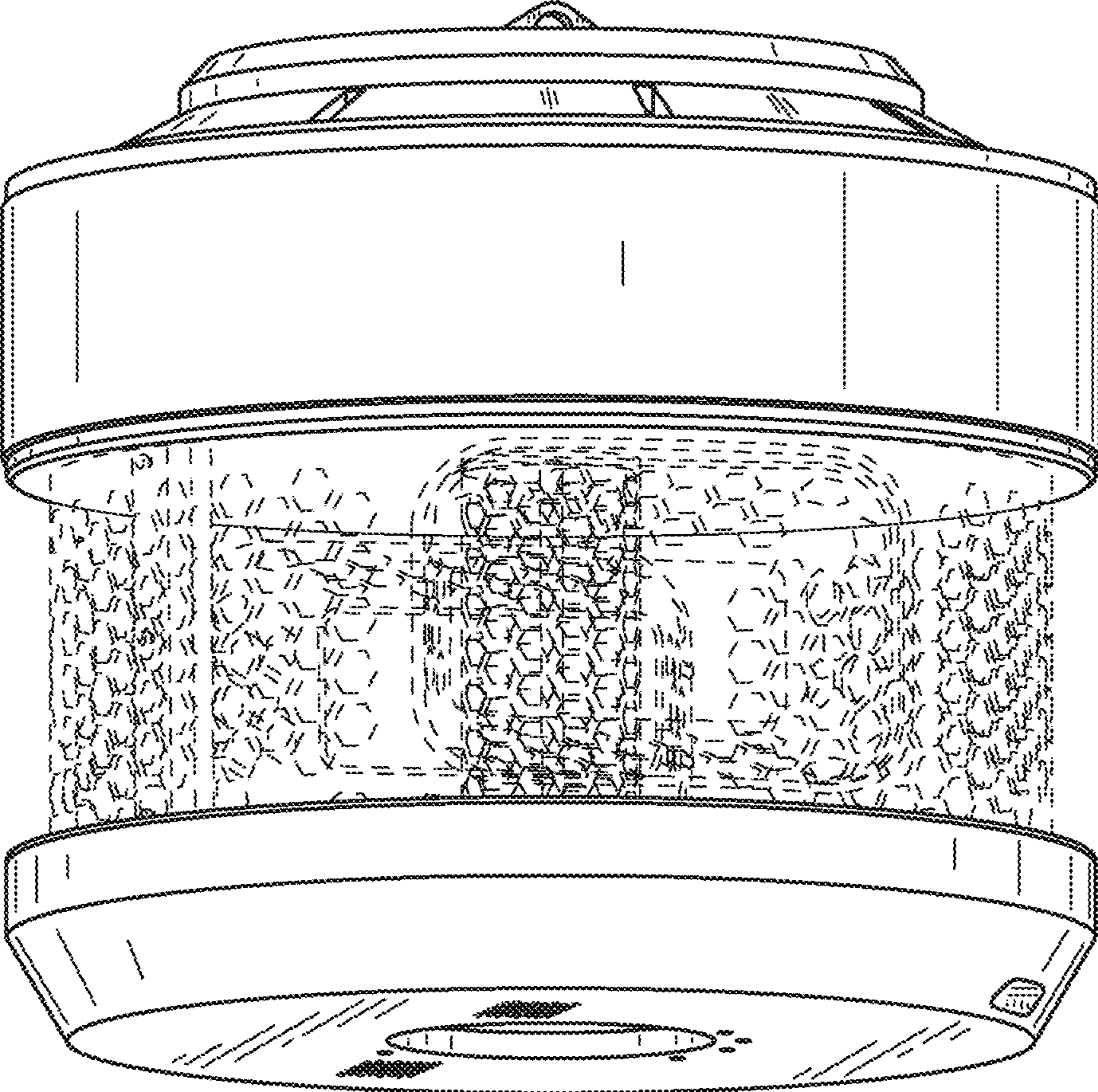


FIG.3

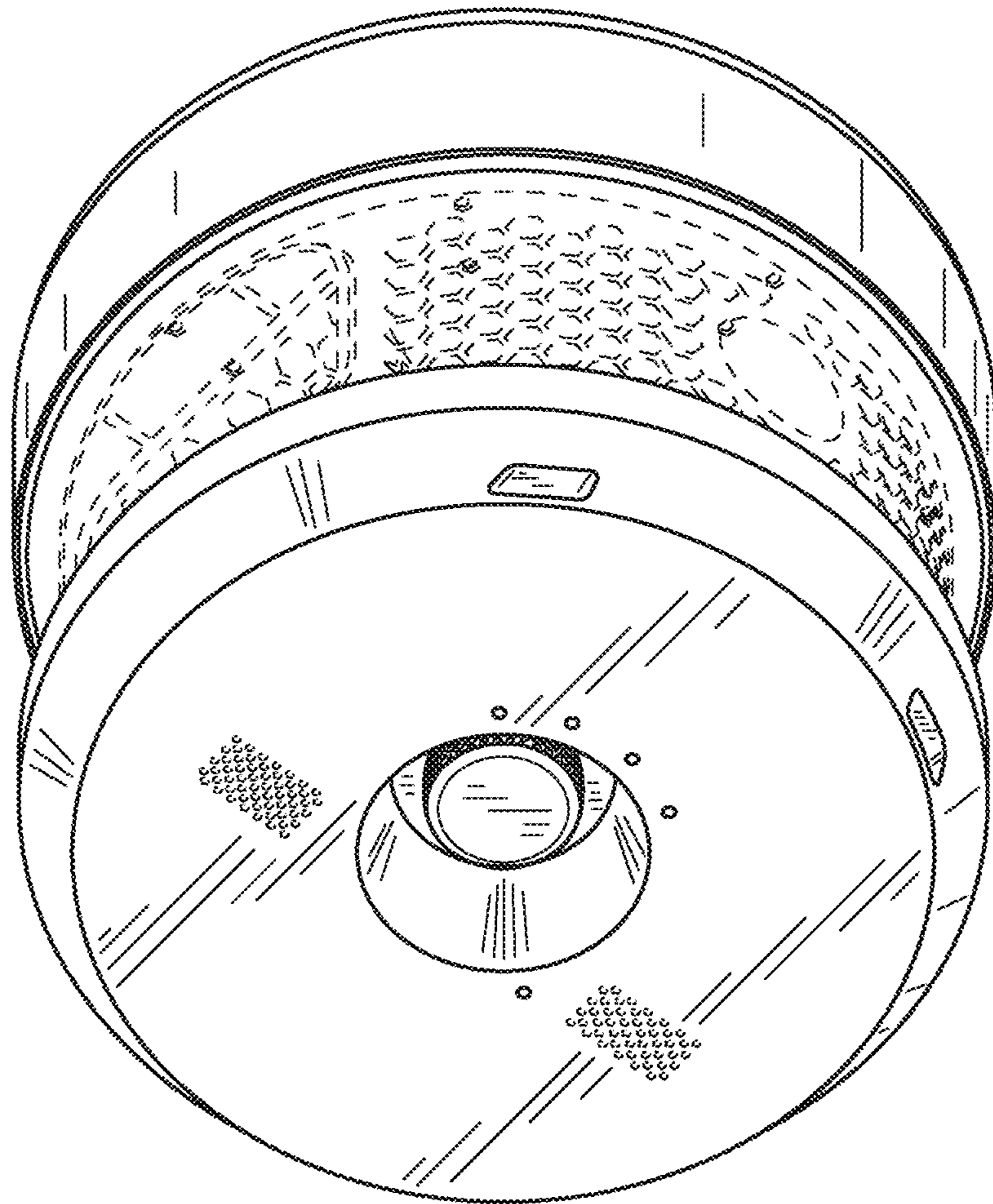


FIG.4

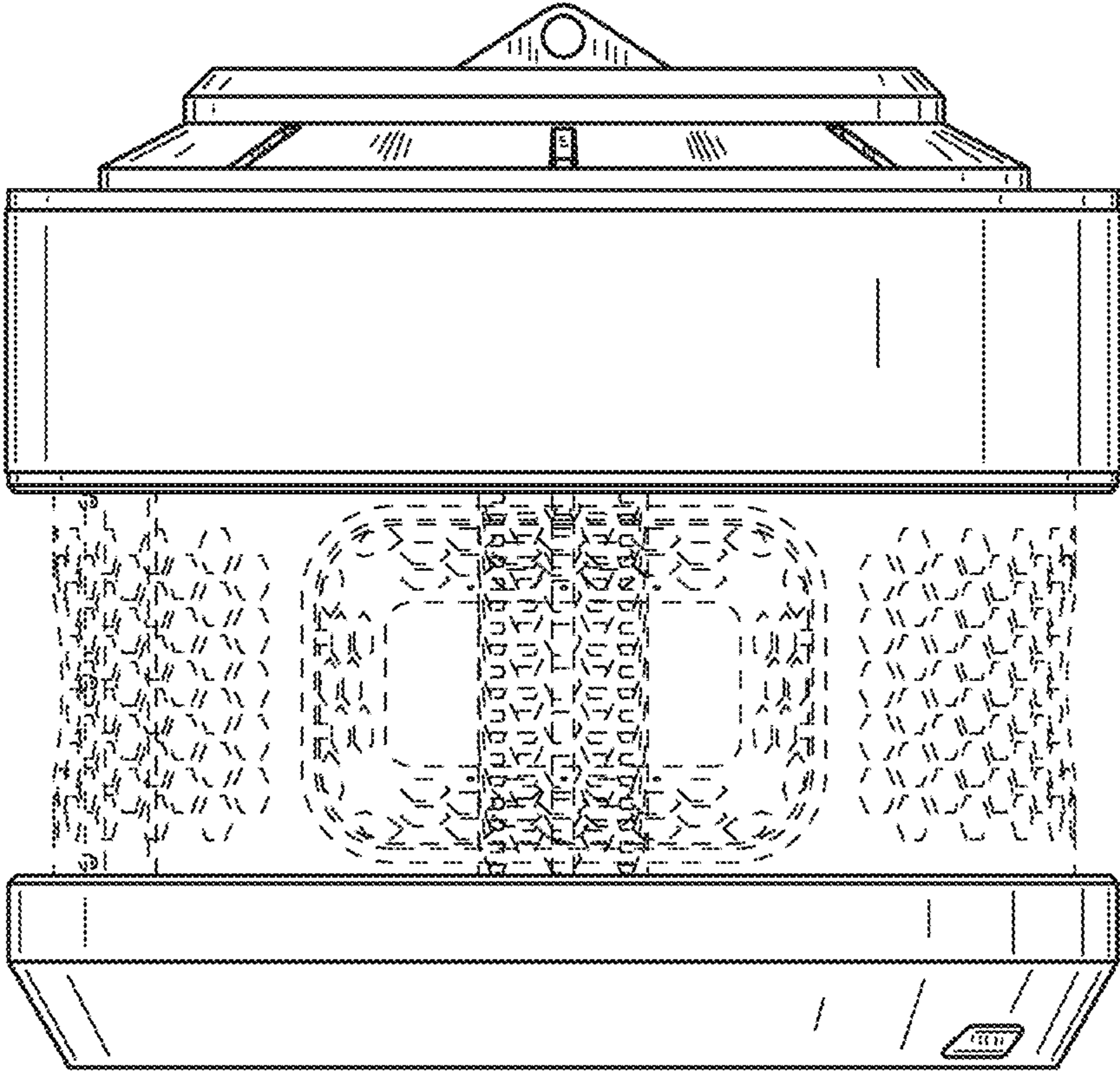


FIG.5

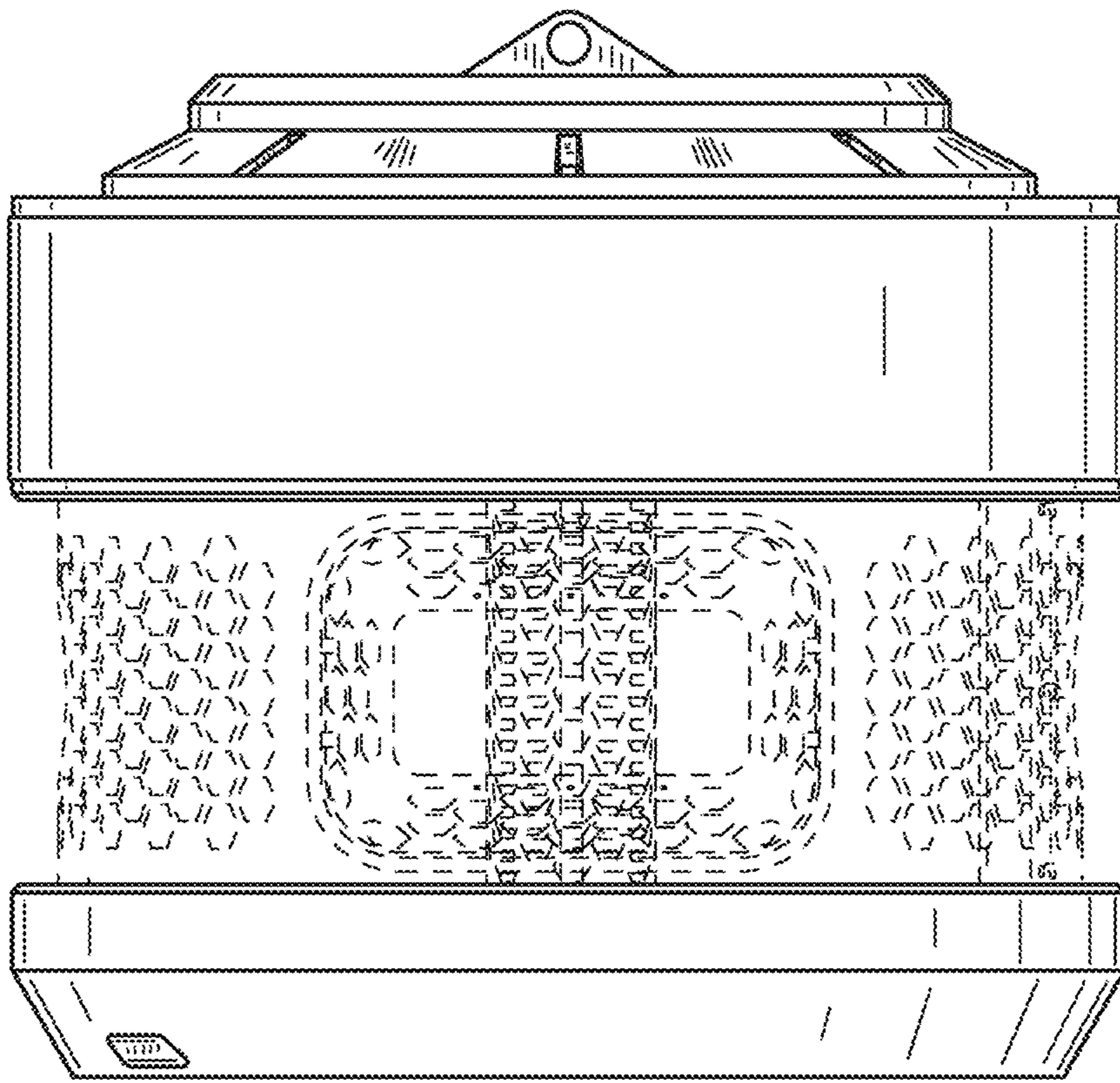


FIG.6

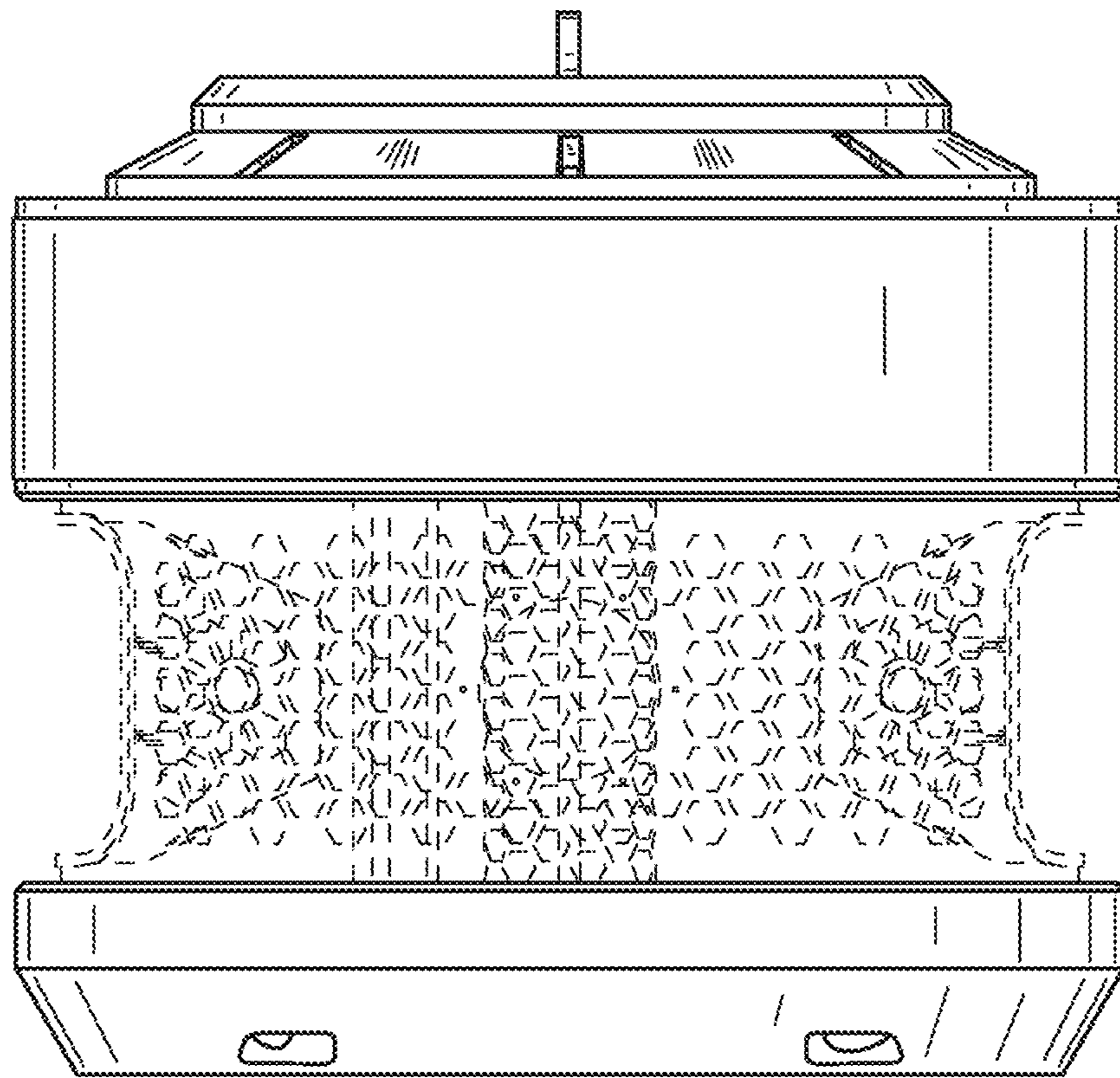


FIG. 7

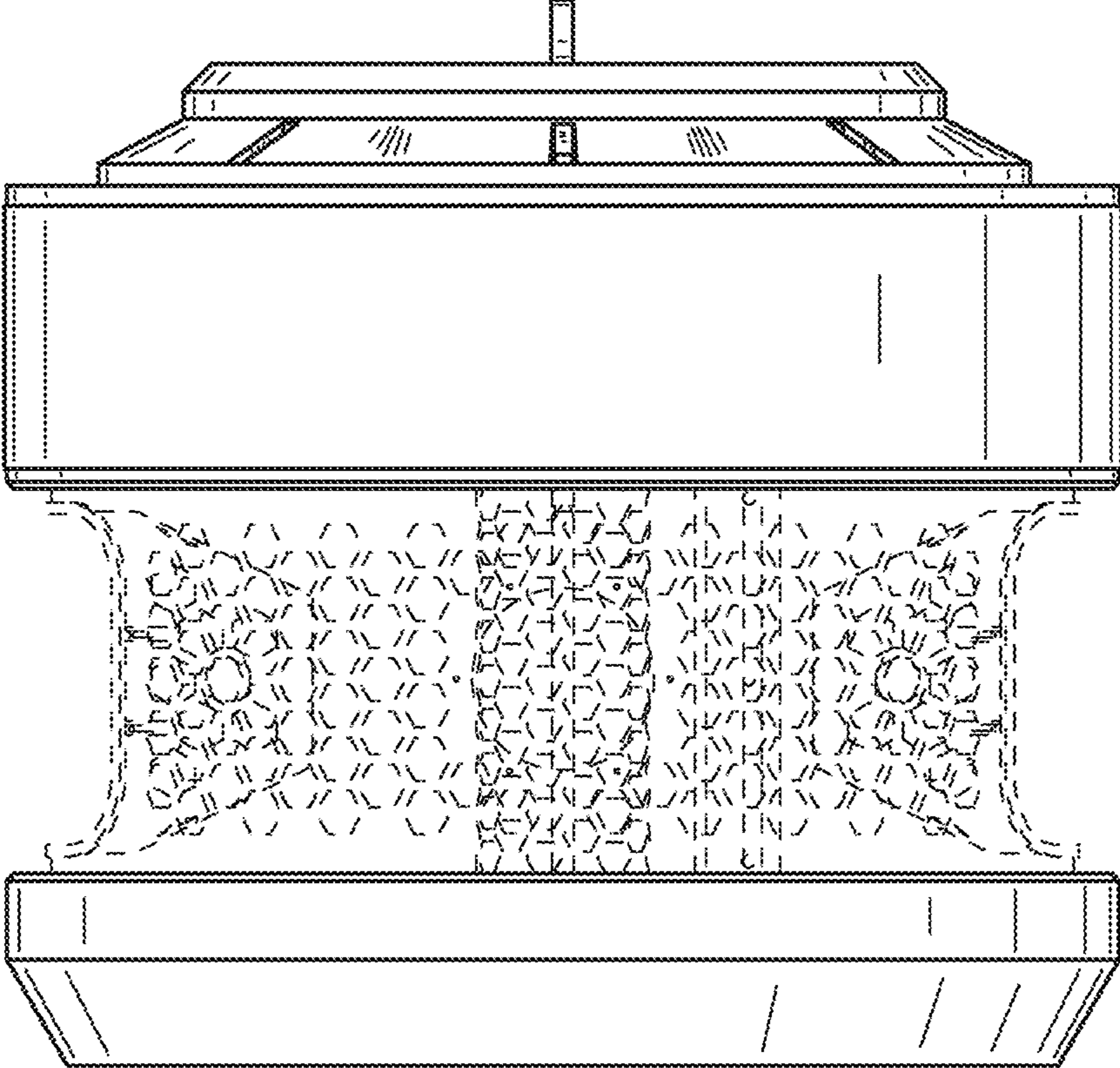


FIG.8

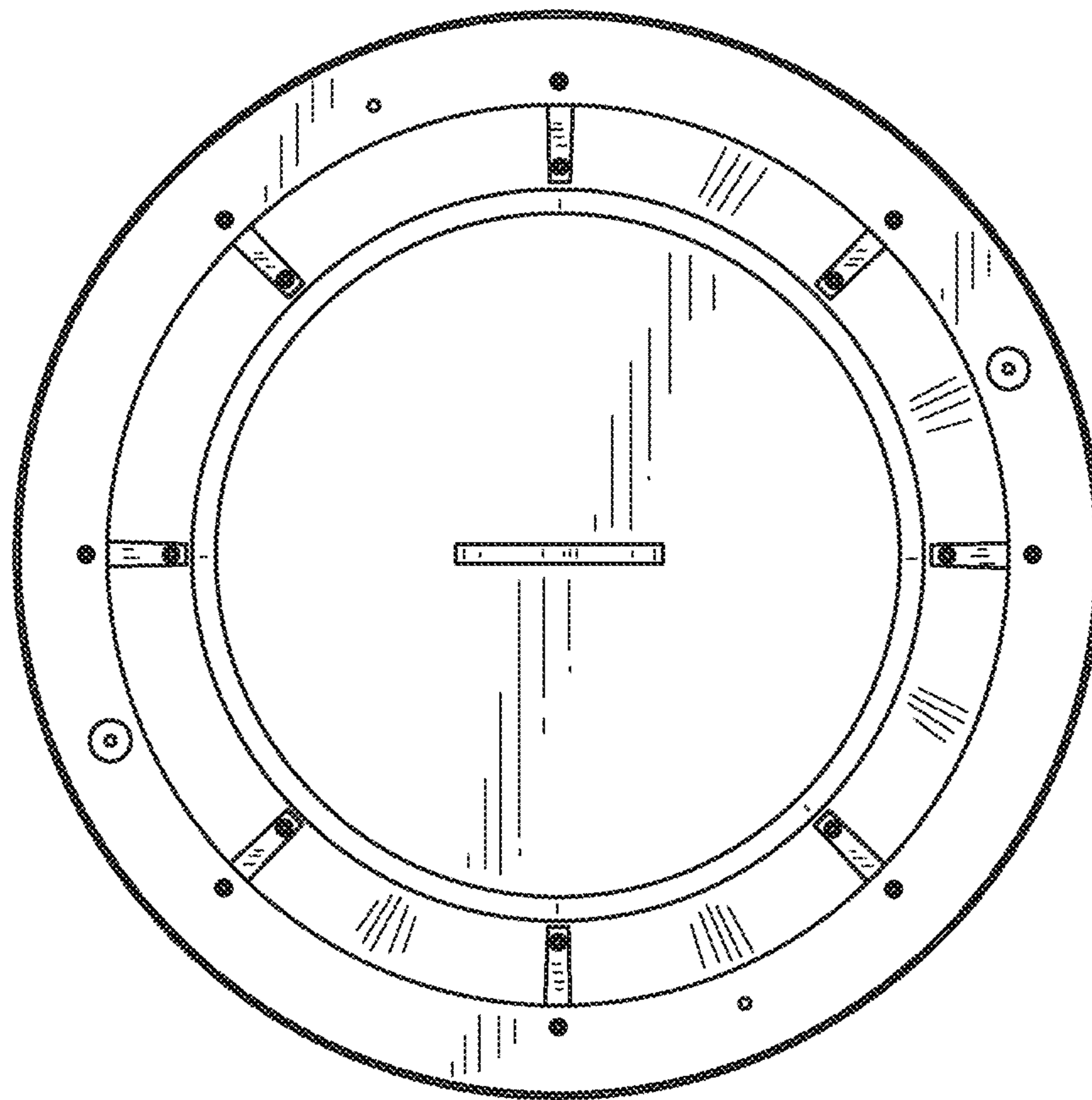


FIG.9

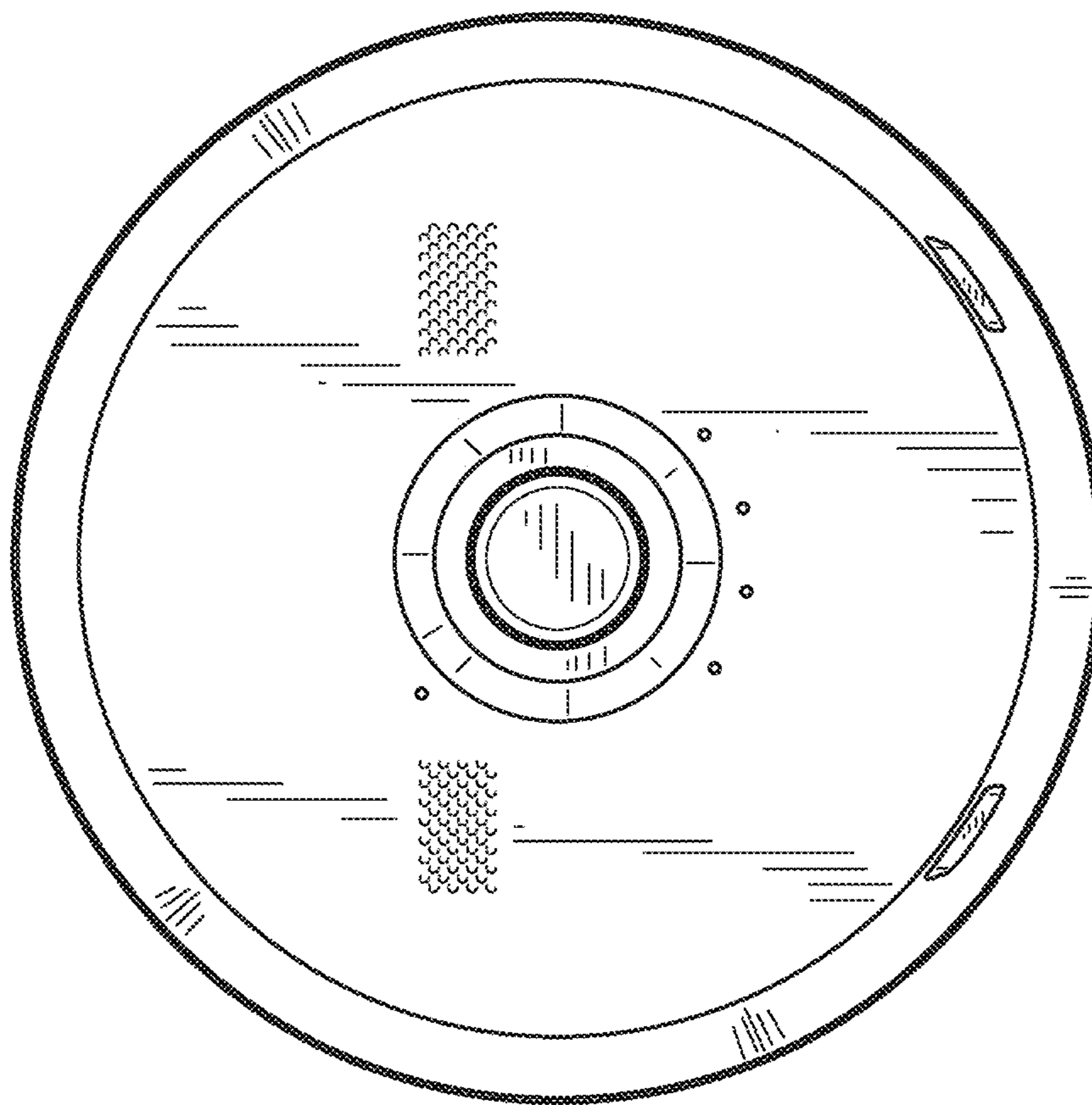


FIG. 10