



US00D775304S

(12) **United States Design Patent**
Jen

(10) **Patent No.:** **US D775,304 S**
(45) **Date of Patent:** **** Dec. 27, 2016**

- (54) **ENHANCED PIVOT PIN**
- (71) Applicant: **Yi Hwei Jen**, Irvine, CA (US)
- (72) Inventor: **Yi Hwei Jen**, Irvine, CA (US)
- (**) Term: **15 Years**
- (21) Appl. No.: **29/528,554**
- (22) Filed: **May 29, 2015**
- (51) **LOC (10) Cl.** **22-11**
- (52) **U.S. Cl.**
USPC **D22/108**
- (58) **Field of Classification Search**
USPC D22/103, 108
CPC F41C 23/00; F41C 27/00; F41C 27/06;
F41C 23/10; F41C 23/14; F41C
23/16; F41C 23/18; F41A 5/18; F41A
5/24; F41A 21/28
See application file for complete search history.

- 7,523,580 B1 * 4/2009 Tankersley F41C 23/16
42/71.01
- 8,667,882 B1 * 3/2014 Larson F41A 3/66
89/140
- 8,789,305 B1 * 7/2014 DiChario F41A 3/66
42/75.03
- 2015/0290775 A1 * 10/2015 Bennett B25B 1/2463
269/287

* cited by examiner

Primary Examiner — Michael A Pratt
(74) *Attorney, Agent, or Firm* — Che-Yang Chen; Law
offices of Scott Warmuth

(57) **CLAIM**

The ornamental design for an enhanced pivot pin, as shown.

DESCRIPTION

FIG. 1 is an isometric left front perspective view of my enhanced pivot pin design.
FIG. 2 is a front view of my enhanced pivot pin design.
FIG. 3 is a right side view of my enhanced pivot pin design.
FIG. 4 is a rear view of my enhanced pivot pin design.
FIG. 5 is a left side view of my enhanced pivot pin design;
and,
FIG. 6 is a top view of my enhanced pivot pin design.

1 Claim, 2 Drawing Sheets

(56) **References Cited**

U.S. PATENT DOCUMENTS

- 5,900,577 A * 5/1999 Robinson F41A 11/02
89/156
- 6,212,814 B1 * 4/2001 Lambie F41A 11/02
42/75.03

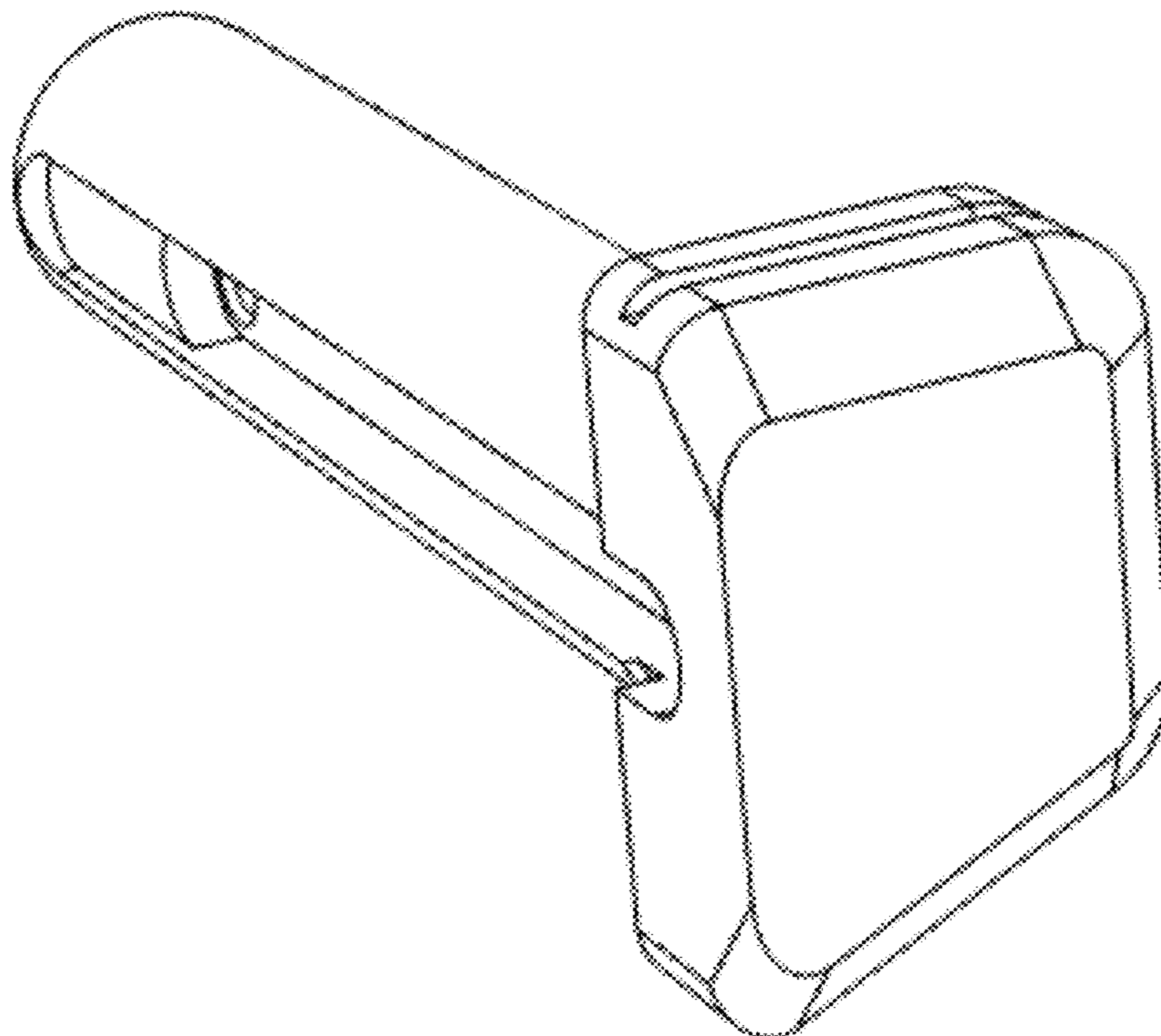


FIG. 1

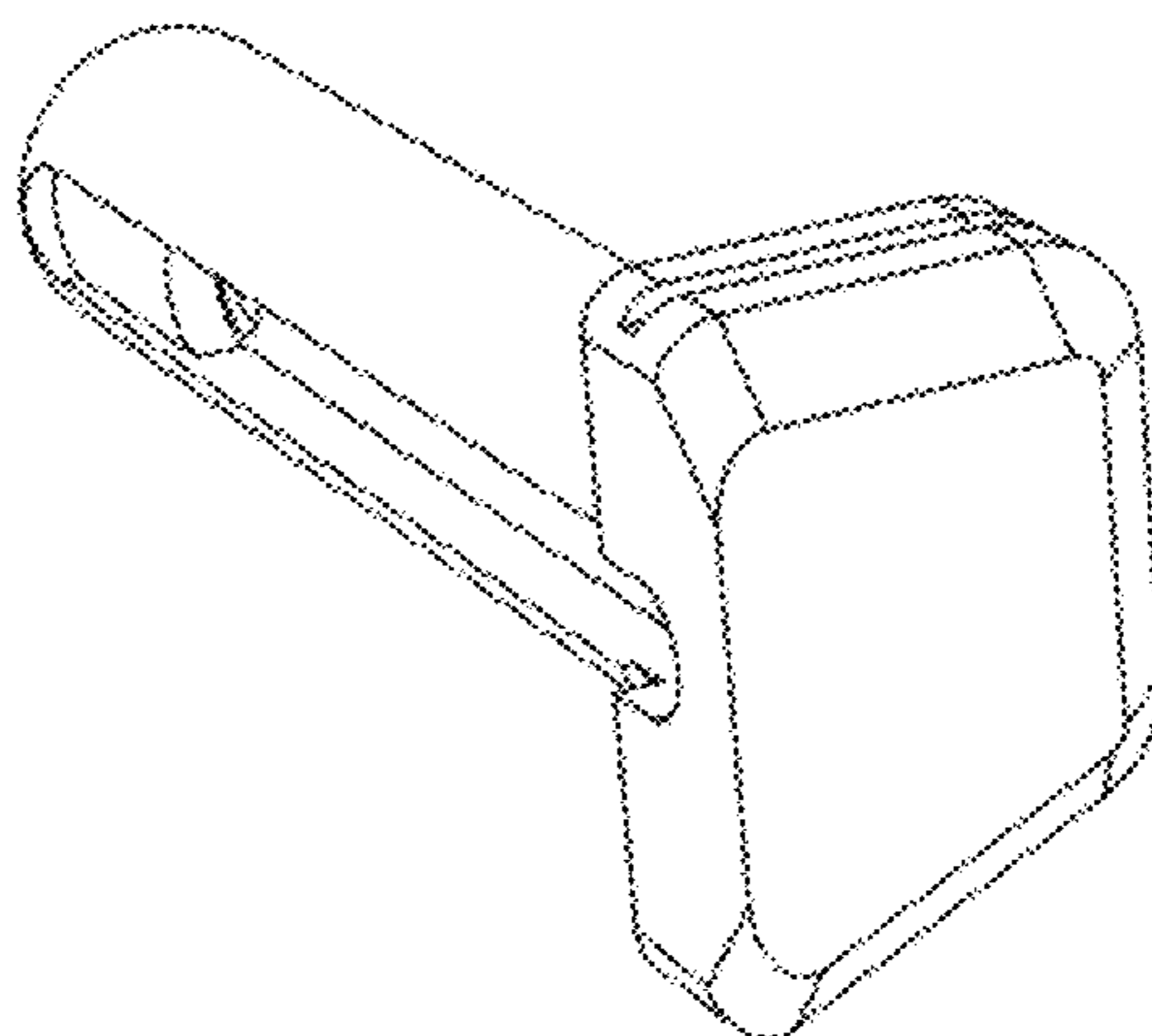


FIG. 2

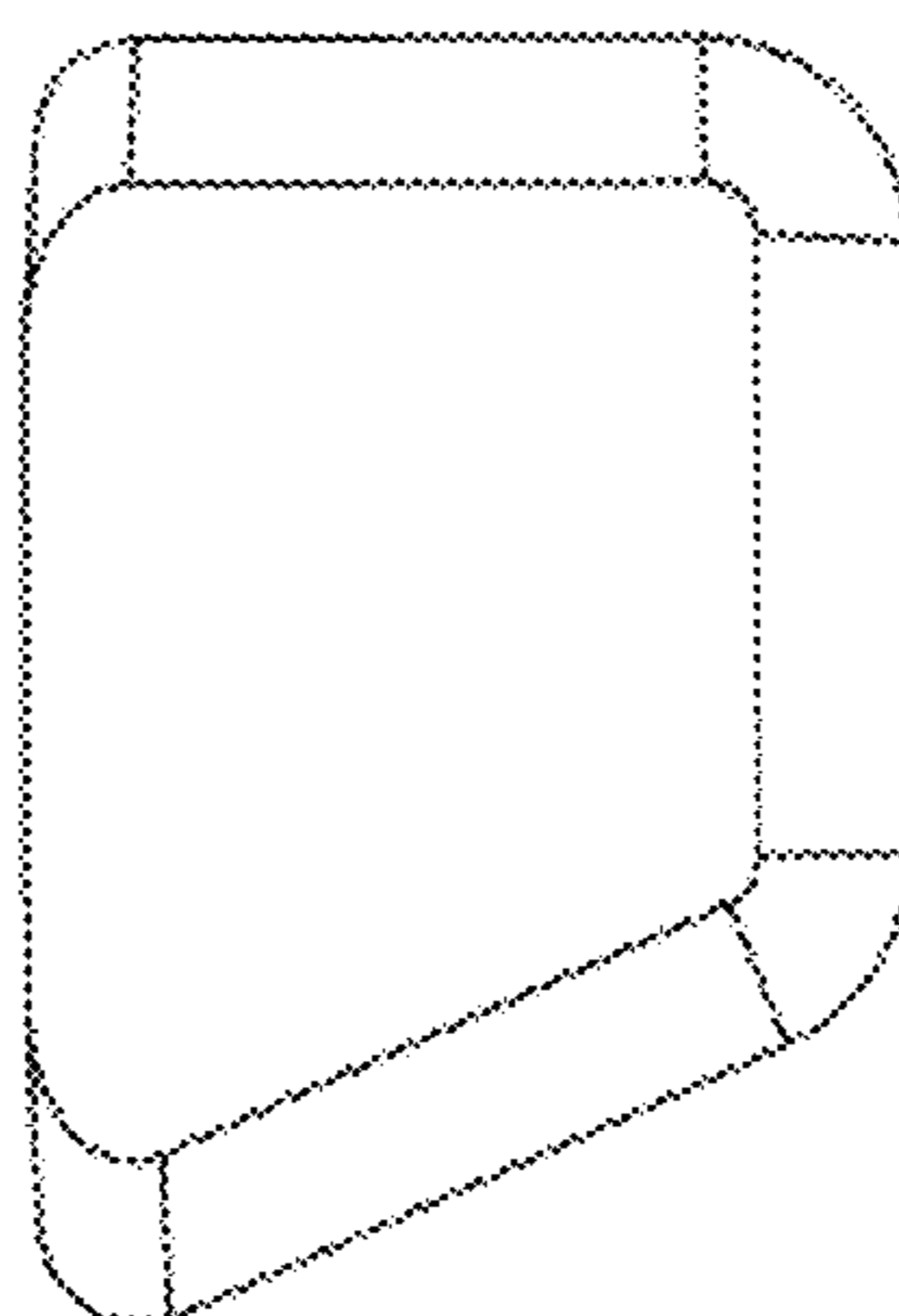


FIG. 3

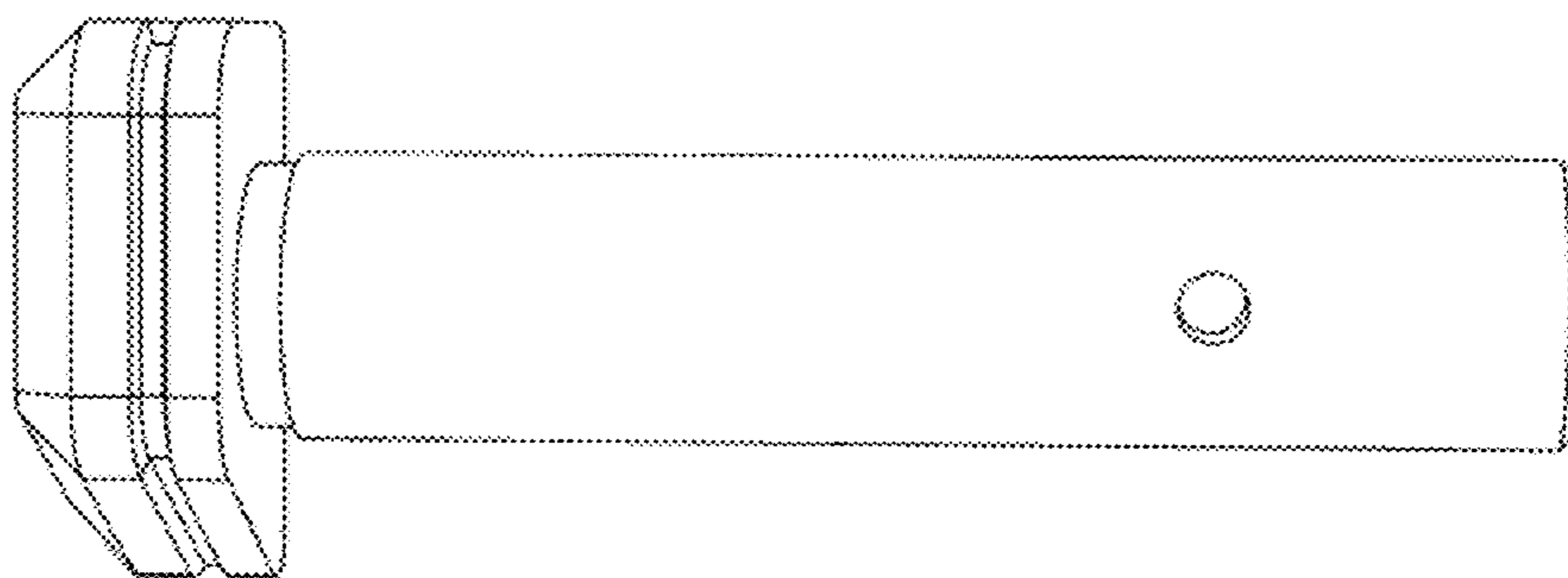


FIG. 4

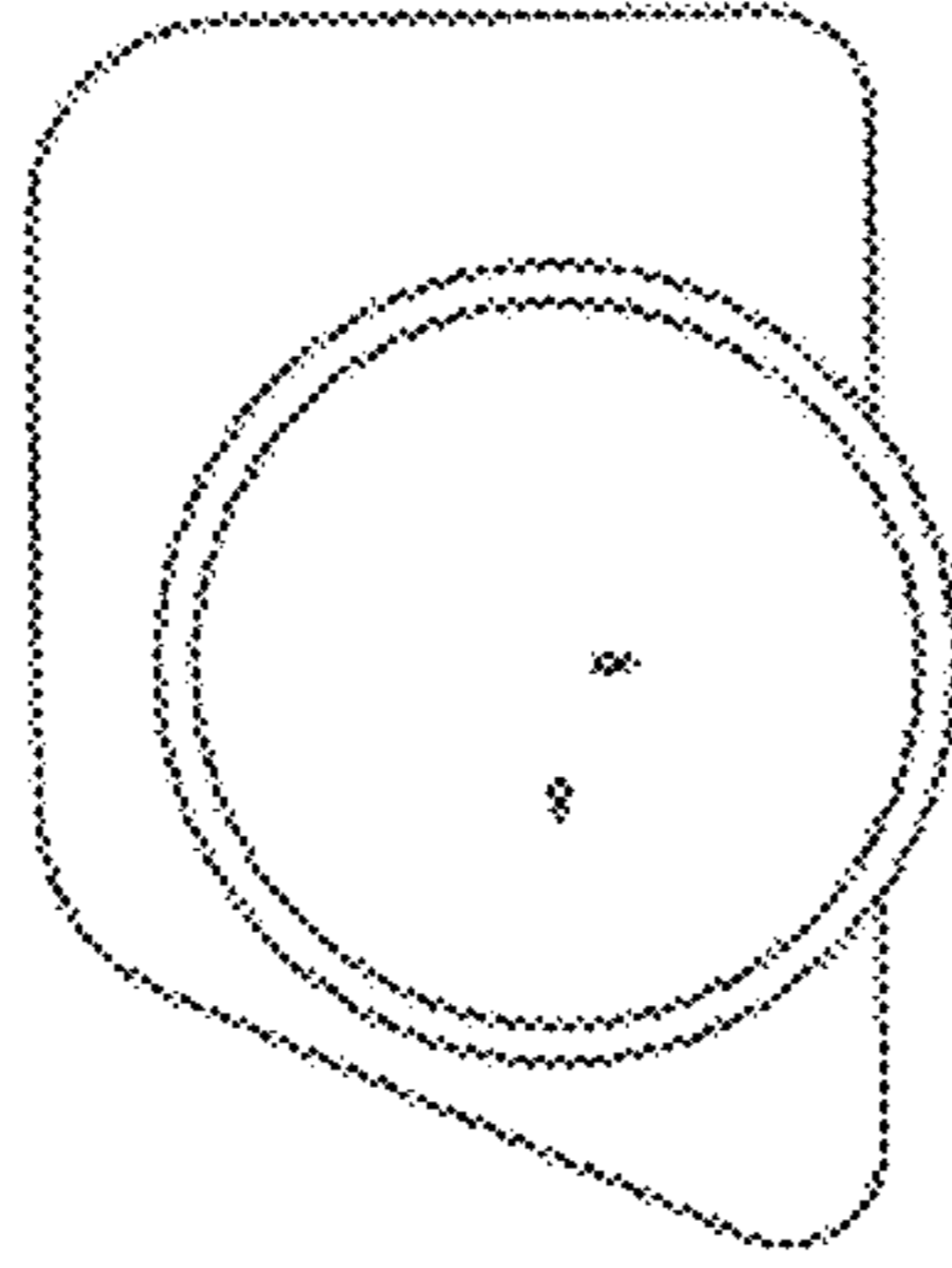


FIG. 5

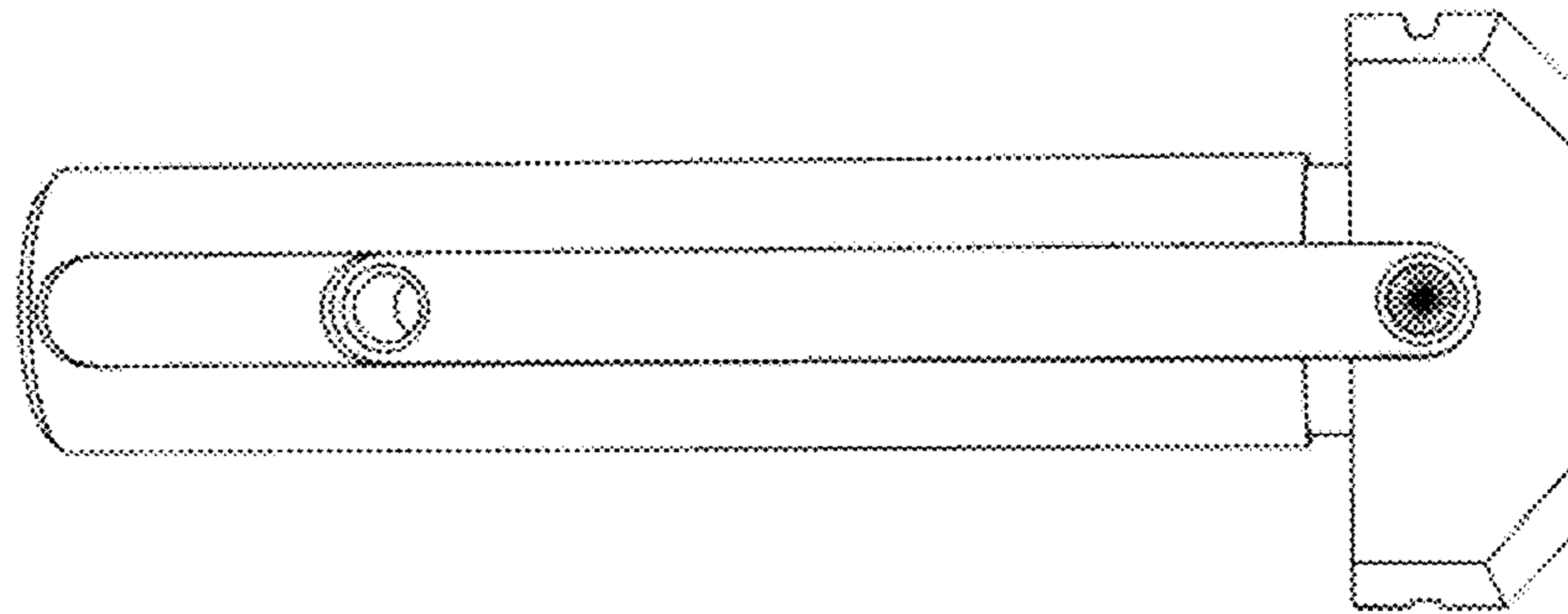


FIG. 6

