



US00D775299S

(12) **United States Design Patent** (10) **Patent No.:** **US D775,299 S**  
**Barnett** (45) **Date of Patent:** **\*\* Dec. 27, 2016**

- (54) **CROSSBOW STOCK**
- (71) Applicant: **Barnett Outdoors, LLC**, Tarpon Springs, FL (US)
- (72) Inventor: **David A. Barnett**, Tarpon Springs, FL (US)
- (73) Assignee: **Barnett Outdoors, LLC**, Tarpon Springs, FL (US)
- (\*\*) Term: **15 Years**
- (21) Appl. No.: **29/532,942**
- (22) Filed: **Jul. 13, 2015**
- (51) **LOC (10) Cl.** ..... **22-01**
- (52) **U.S. Cl.**  
USPC ..... **D22/107**
- (58) **Field of Classification Search**  
USPC ..... D22/107; D21/571, 575  
CPC ..... F41B 5/12; F41B 5/148  
See application file for complete search history.

D716,402 S *	10/2014	Barnett	.....	D22/107
D718,404 S *	11/2014	Barnett	.....	D22/107
D718,830 S *	12/2014	Barnett	.....	D22/107
D718,831 S *	12/2014	Barnett	.....	D22/107
9,255,755 B1 *	2/2016	Barnett	.....	F41B 5/143
9,303,945 B1 *	4/2016	Hughes	.....	F41B 5/123
2014/0216429 A1 *	8/2014	Biafore, Jr.	.....	F41B 5/12 124/25

\* cited by examiner

*Primary Examiner* — Michael A Pratt

(74) *Attorney, Agent, or Firm* — Jones Walker, LLP

(57) **CLAIM**

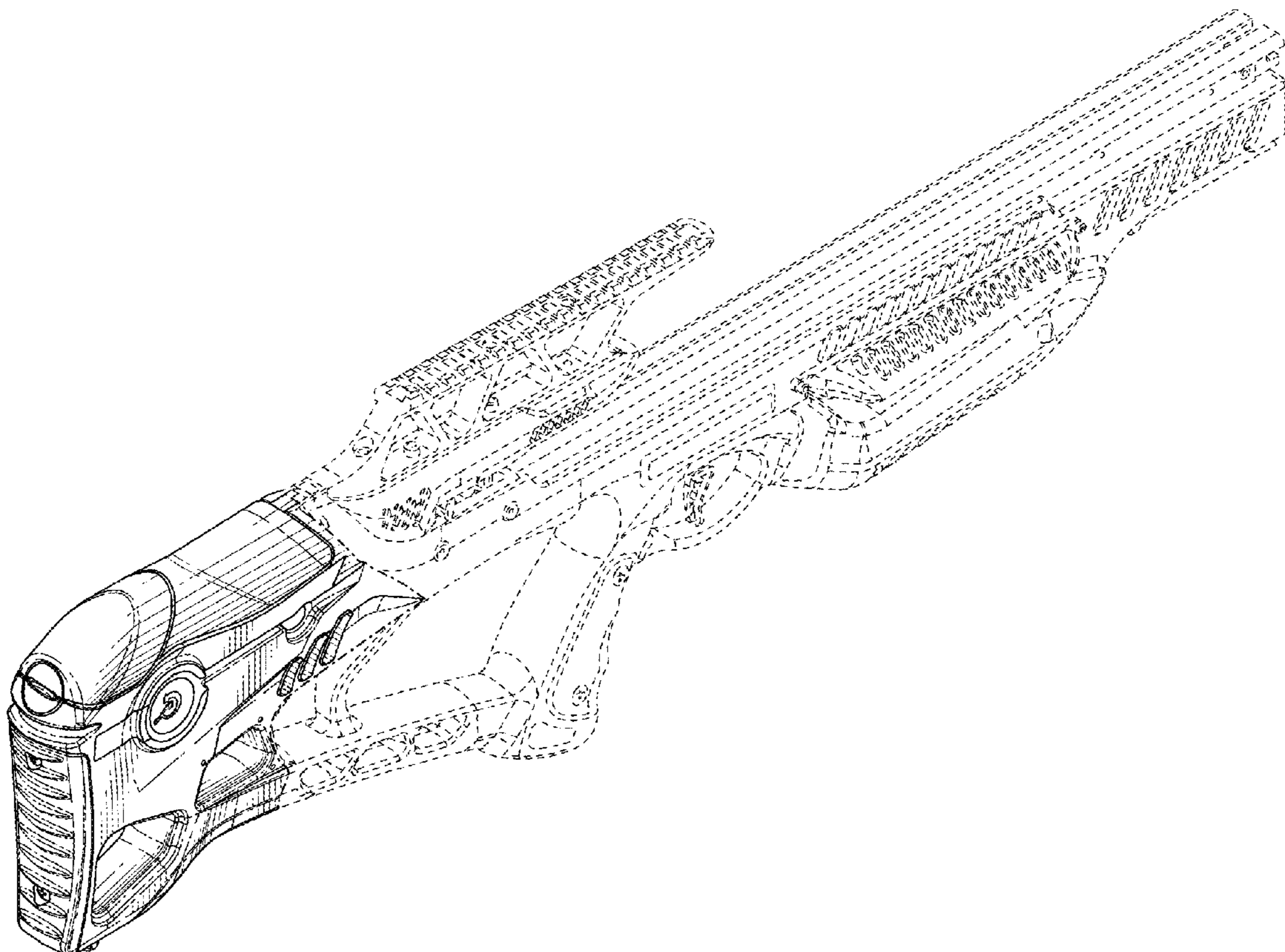
I claim the ornamental design for a crossbow stock, as shown and described.

**DESCRIPTION**

FIG. 1 is a perspective view of my new design;  
 FIG. 2 is a front view thereof;  
 FIG. 3 is a rear view thereof;  
 FIG. 4 is a left side view thereof;  
 FIG. 5 is a right side view thereof;  
 FIG. 6 is a top view thereof; and,  
 FIG. 7 is a bottom view thereof.  
 The broken lines in FIGS. 1-7 are for illustrative purposes and form no part of the claimed design.

**1 Claim, 4 Drawing Sheets**

- (56) **References Cited**  
U.S. PATENT DOCUMENTS  
D716,398 S \* 10/2014 Barnett ..... D22/107  
D716,399 S \* 10/2014 Barnett ..... D22/107



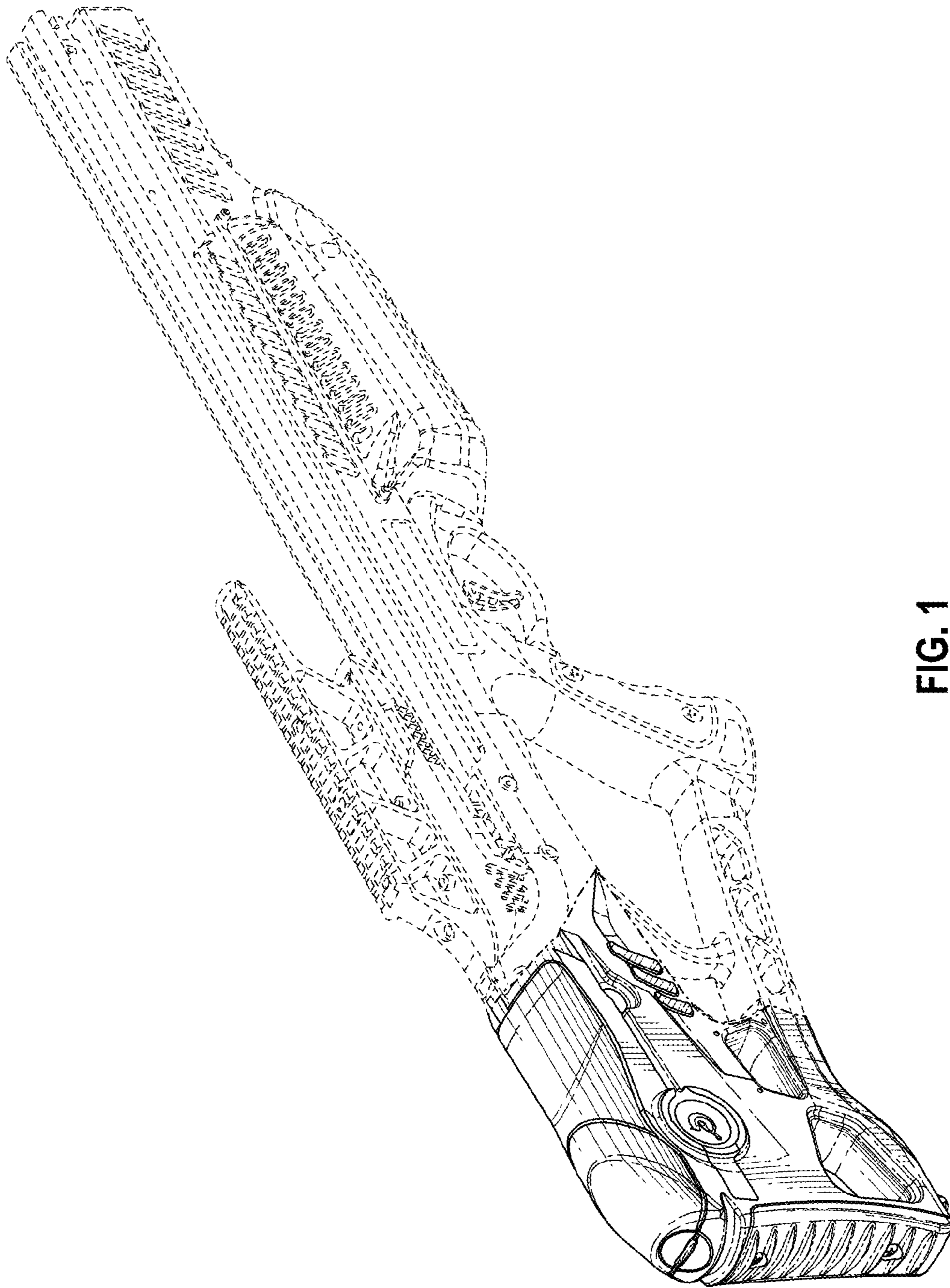


FIG. 1

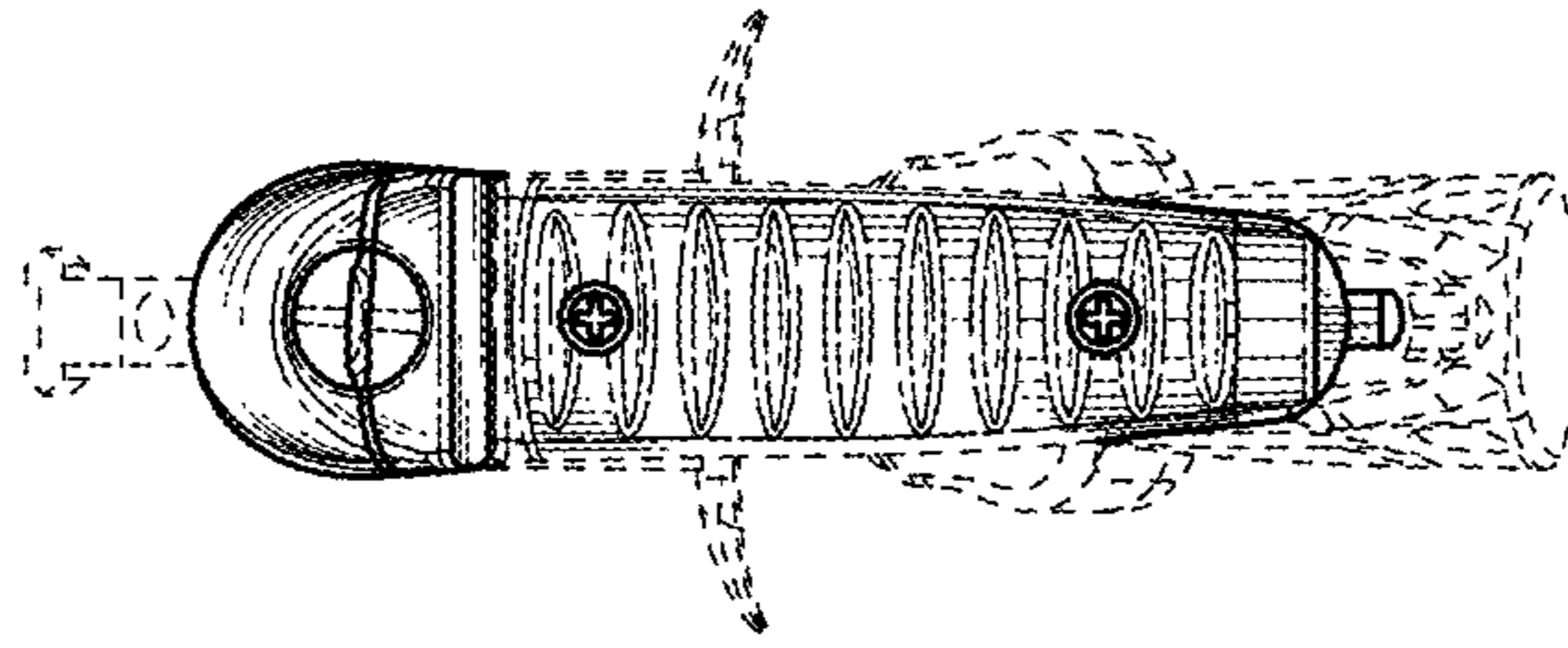


FIG. 3

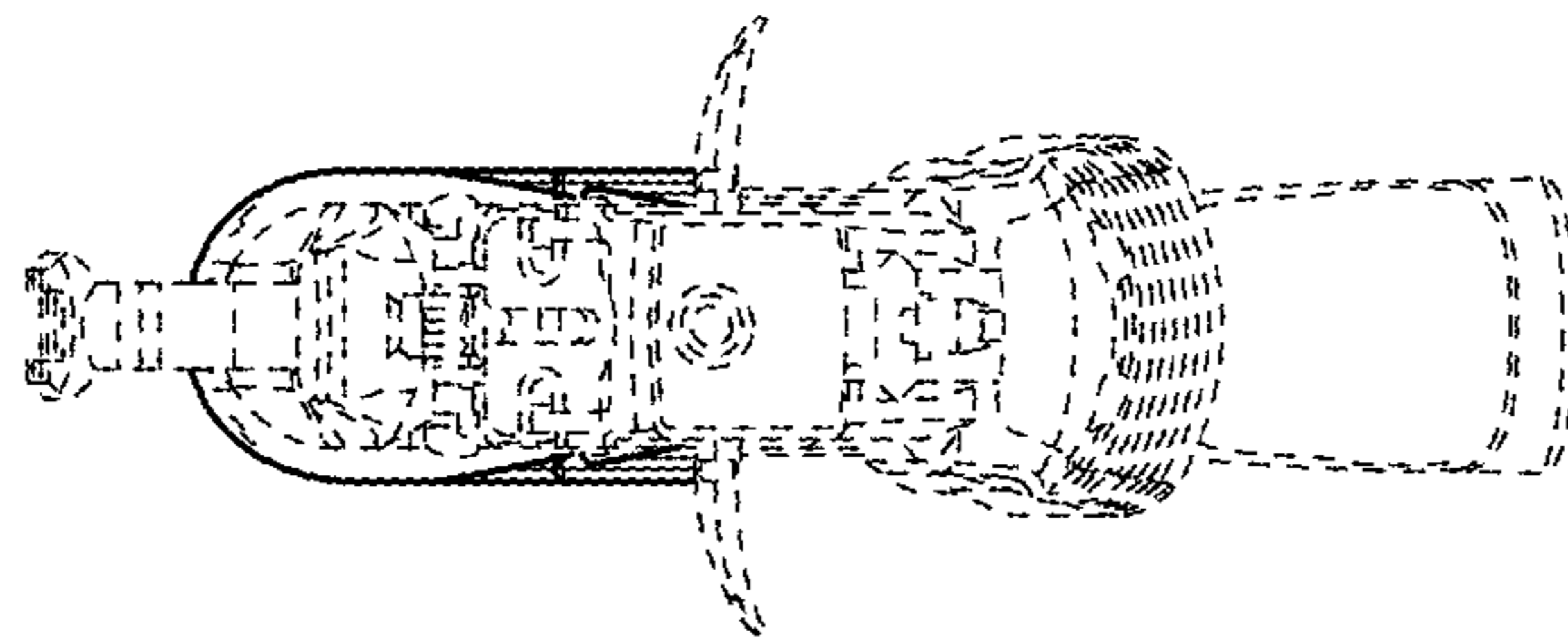


FIG. 2



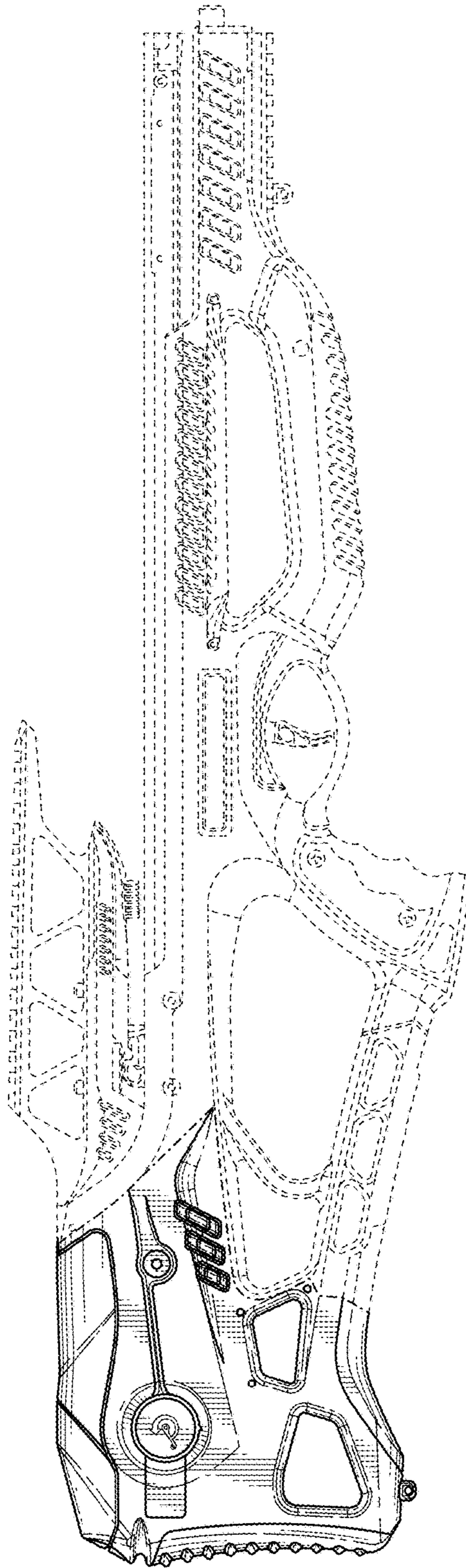


FIG. 4

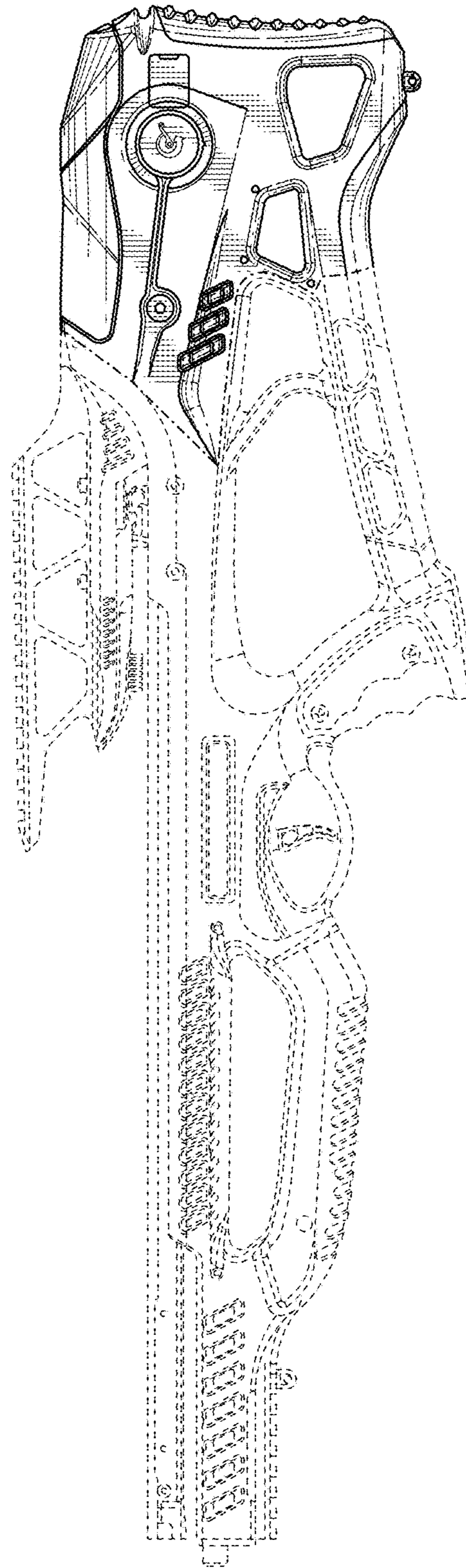


FIG. 5

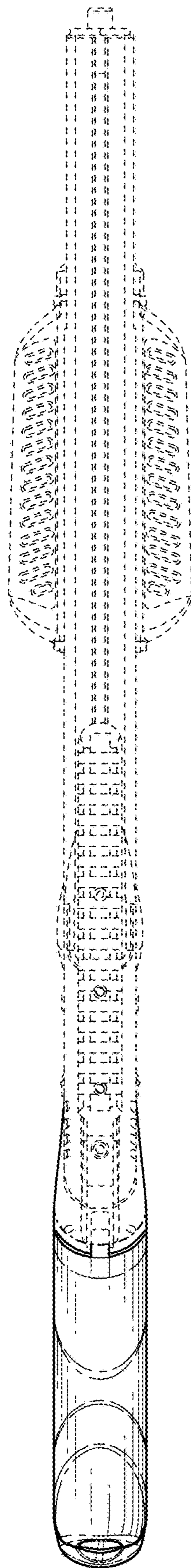


FIG. 6

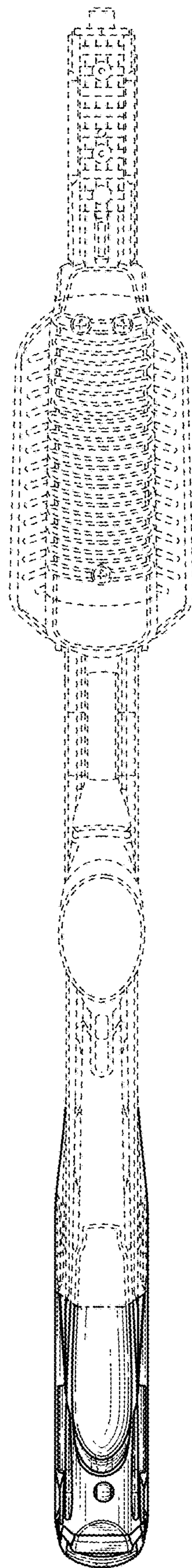


FIG. 7