



US00D775292S

(12) **United States Design Patent** (10) **Patent No.:** **US D775,292 S**
Kwon (45) **Date of Patent:** **** Dec. 27, 2016**

(54) **LIGHT EMITTING WHEEL HUB**

(74) *Attorney, Agent, or Firm* — Kay H. Chin

(76) **Inventor:** **Soon Chang Kwon**, Glendale, CA (US)

(57) **CLAIM**

(**) **Term:** **14 Years**

The ornamental design for a light emitting wheel hub, as shown and described.

(21) **Appl. No.:** **29/374,264**

(22) **Filed:** **Jul. 20, 2011**

(51) **LOC (10) Cl.** **21-02**

(52) **U.S. Cl.**
USPC **D21/779**

(58) **Field of Classification Search**
USPC D12/207, 213, 400; D21/207, 208, 563,
D21/760, 763–765, 779; 280/11.19, 11.22,
280/11.26; 301/5.3, 5.7, 37.29, 63.1, 64.1,
301/65, 105.1, 108.1, 108.5, 110.5;
D26/124

See application file for complete search history.

(56) **References Cited**

U.S. PATENT DOCUMENTS

D268,195	S *	3/1983	Kalish	D21/771
5,310,250	A *	5/1994	Gonsior	301/5.303
5,567,019	A *	10/1996	Raza et al.	301/5.307
5,573,309	A *	11/1996	Bekessy	301/5.303
5,580,093	A *	12/1996	Conway	280/816
5,630,891	A *	5/1997	Peterson et al.	152/165
5,660,447	A *	8/1997	Angelici	301/5.7
D397,391	S *	8/1998	Jirout	D21/779
D401,298	S *	11/1998	Portzline	D21/779
D442,660	S *	5/2001	Patel	D21/779
D444,527	S *	7/2001	Patel	D21/779
D498,447	S *	11/2004	Kato	D12/207
7,497,445	B1 *	3/2009	Colgan	280/11.223

* cited by examiner

Primary Examiner — Philip S Hyder

Assistant Examiner — Darlington Ly

DESCRIPTION

FIG. 1 is front elevation view of a light emitting wheel hub showing my new design. The design consist of two printed circuit plates with a transparent cover, the top cover being removed for clarity of illustration;

FIG. 2 is a rear elevation view of the light emitting wheel hub shown in FIG. 1;

FIG. 3 is a side elevation view of the light emitting wheel hub shown in FIG. 1, the opposing side elevation view being a mirror image thereof;

FIG. 4 is an enlarged and partial top plan view of the light emitting wheel hub shown in FIG. 1;

FIG. 5 is a bottom elevation view of the light emitting wheel hub shown in FIG. 1;

FIG. 6 is an enlarged front elevation view of the printed circuit plate in isolation and removed from the light emitting wheel hub shown in FIG. 1;

FIG. 7 is an enlarged rear elevation view of printed circuit plate shown in FIG. 6;

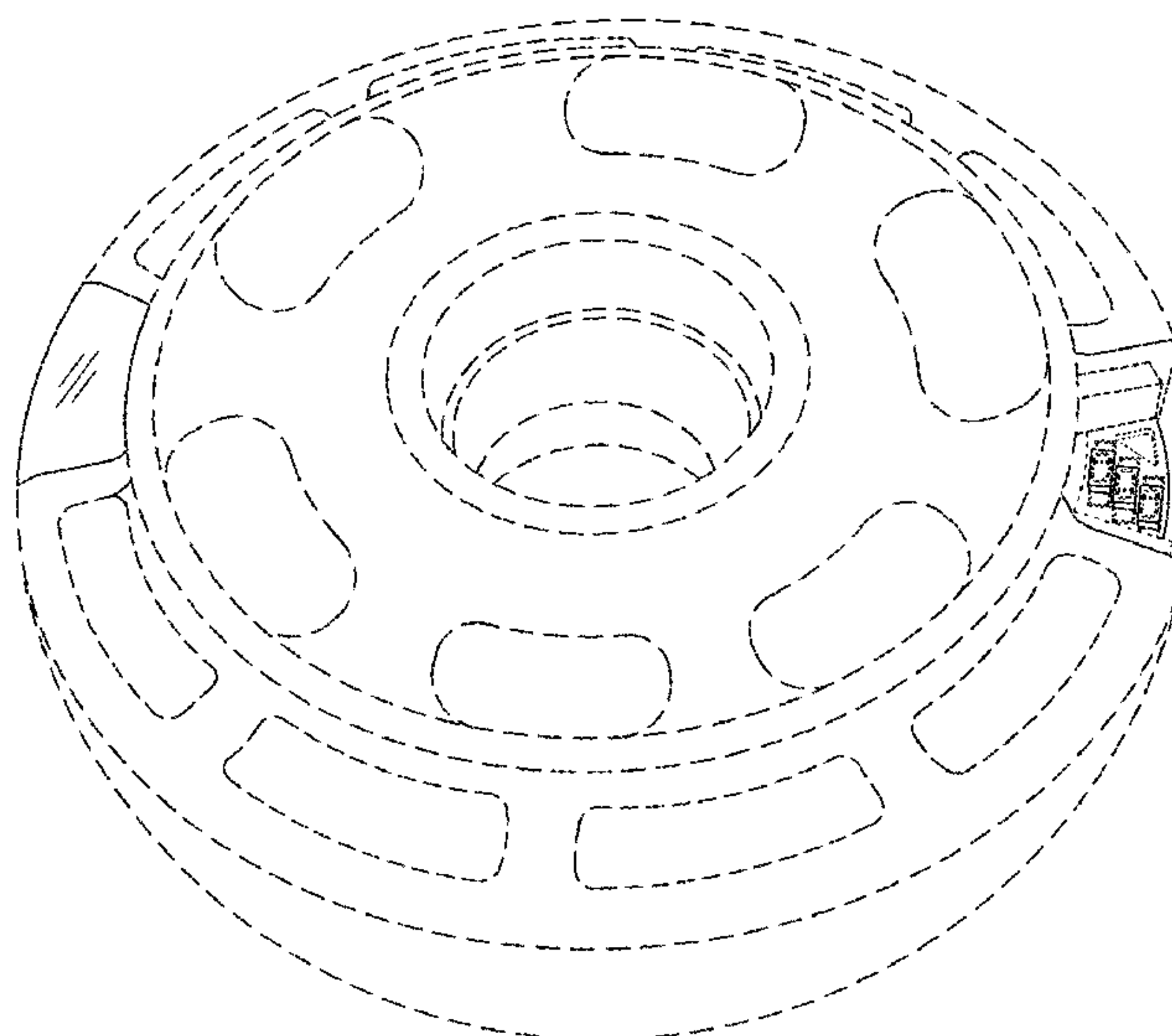
FIG. 8 is an enlarged perspective view of a typical cover for the light emitting wheel hub shown in FIG. 1;

FIG. 9 is an enlarged and partial from view of the light emitting wheel hub taken along portion 9-9 as shown in FIG. 1; and,

FIG. 10 is a perspective view of the light emitting wheel hub shown in FIG. 1.

The broken lines shown in the drawings illustrate portions of the light emitting wheel hub that forms no part of the claimed design.

1 Claim, 8 Drawing Sheets



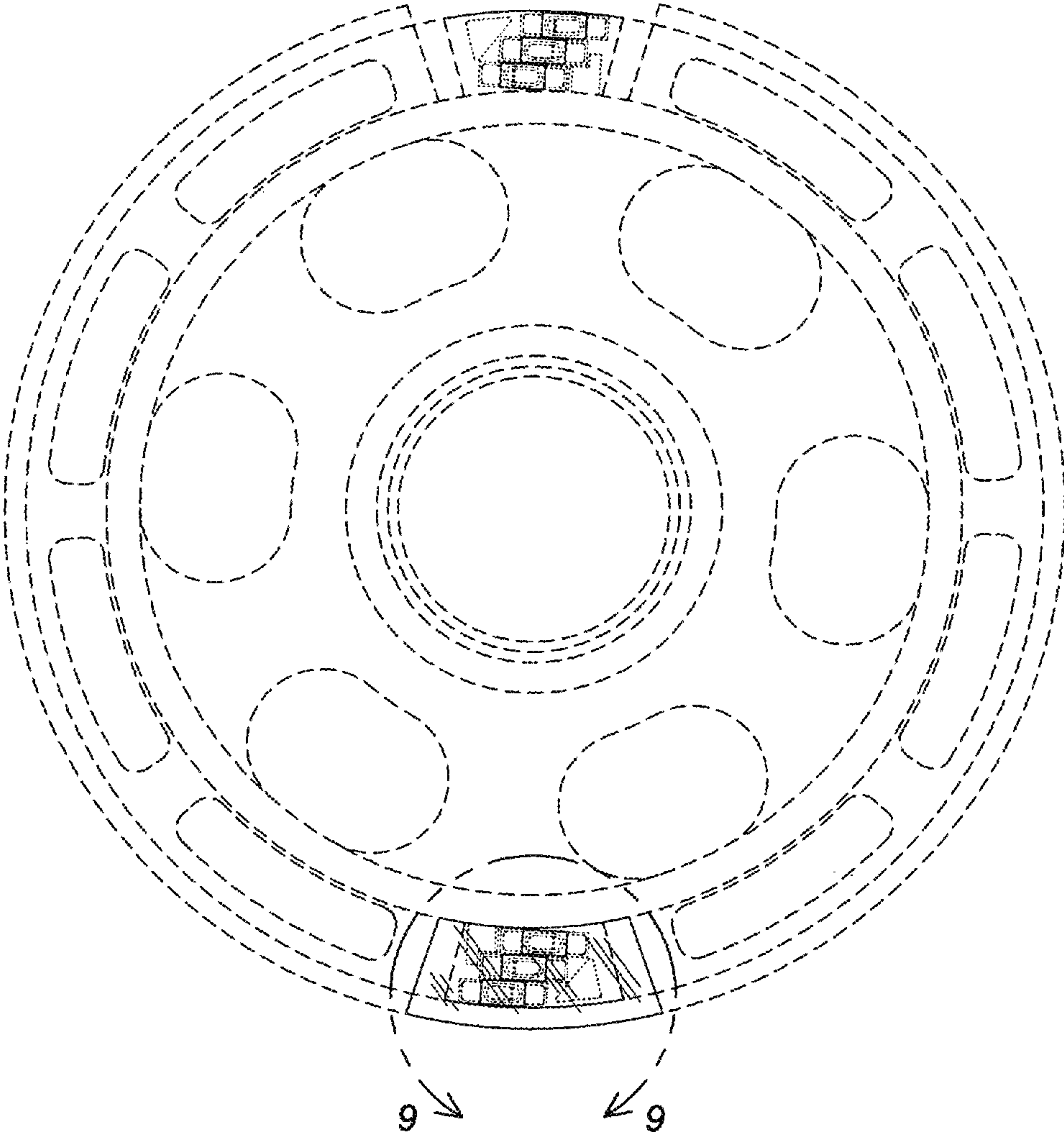


Fig. 1

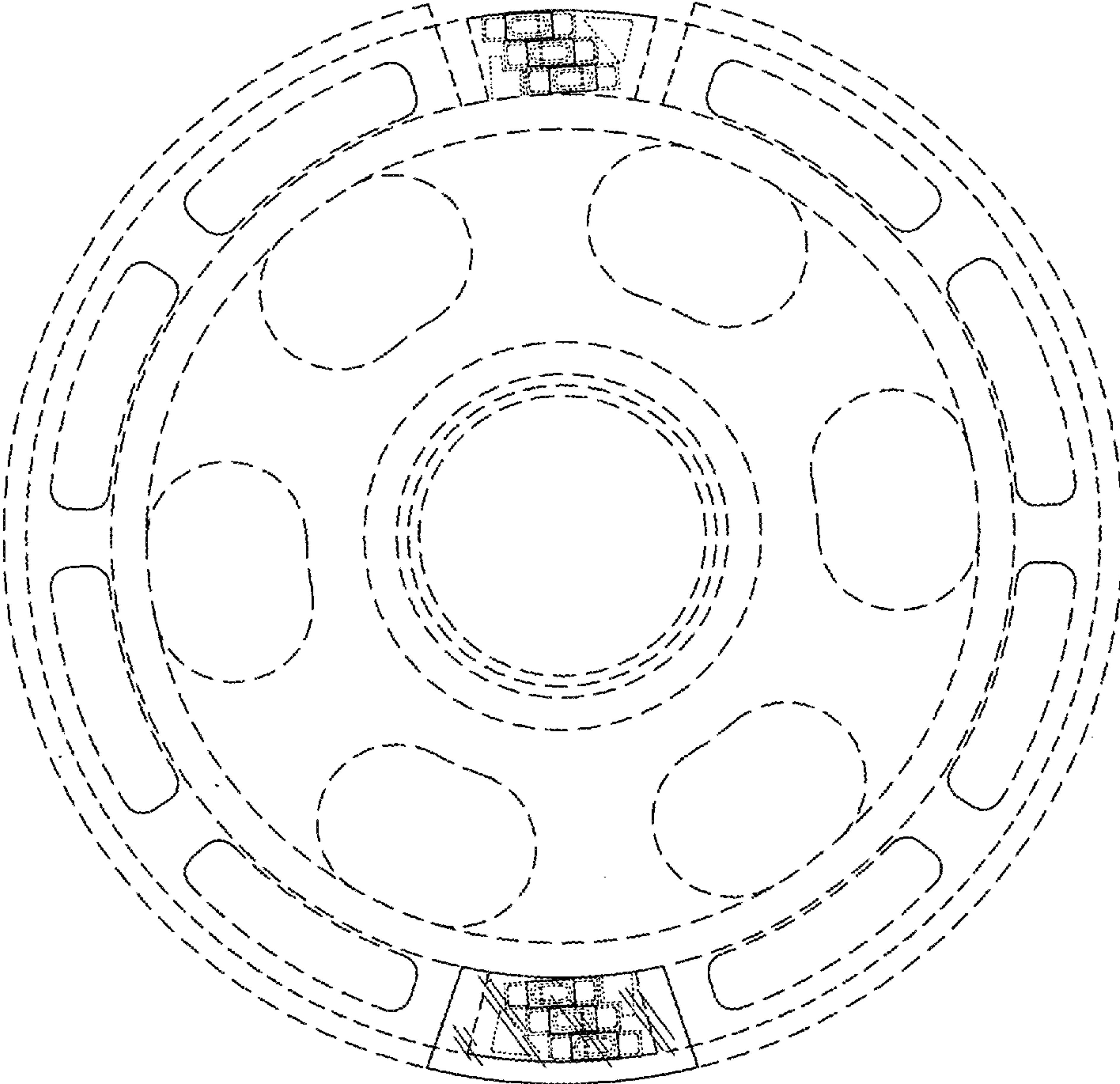


Fig. 2

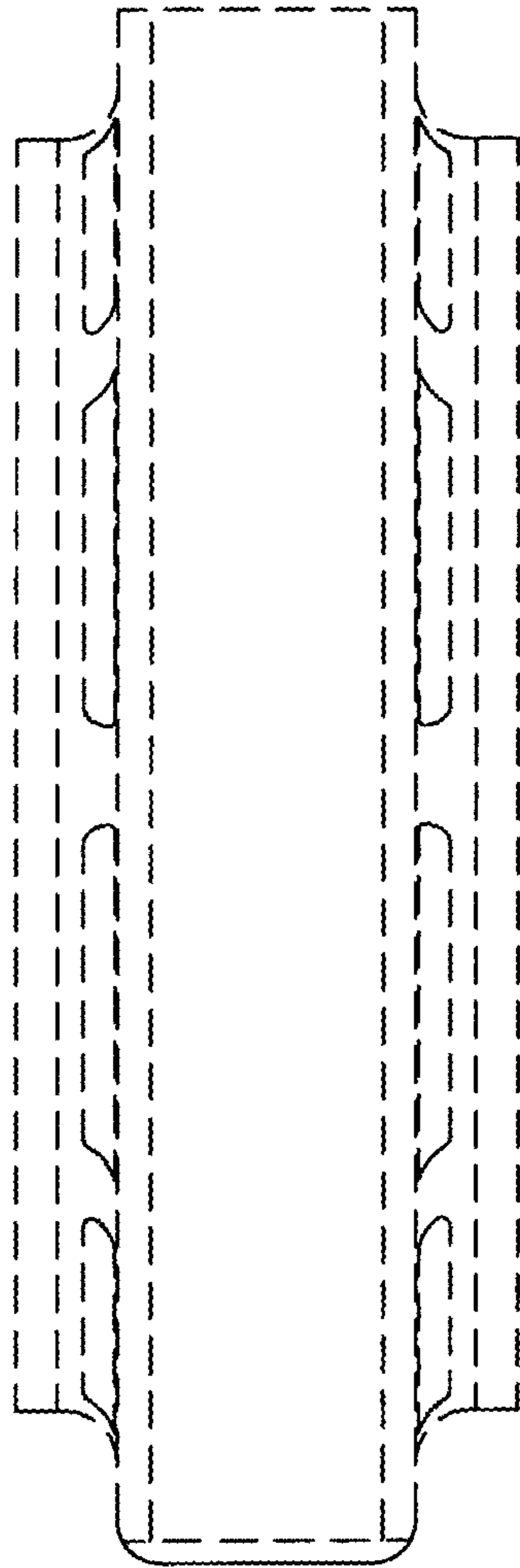


Fig. 3

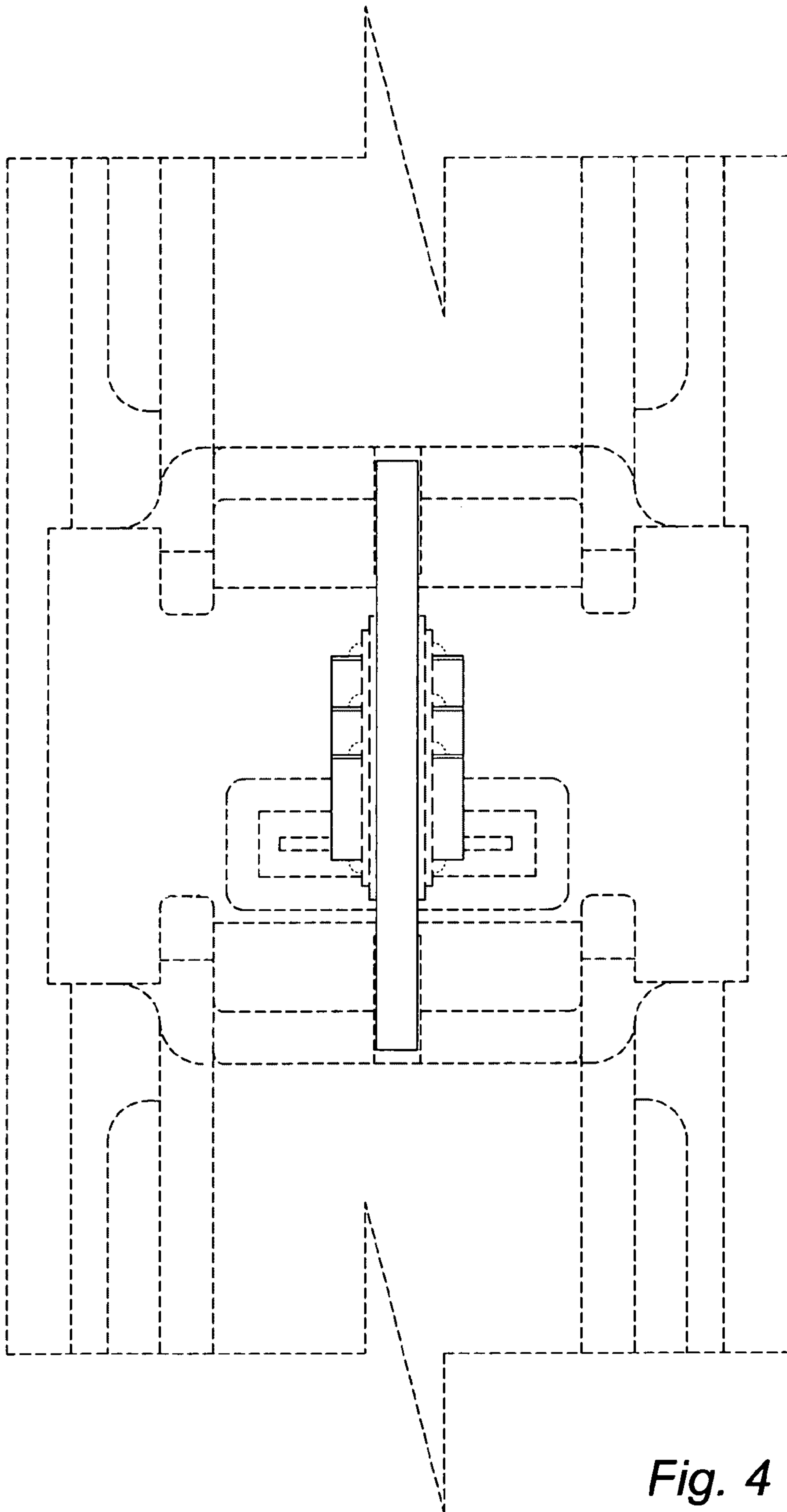


Fig. 4

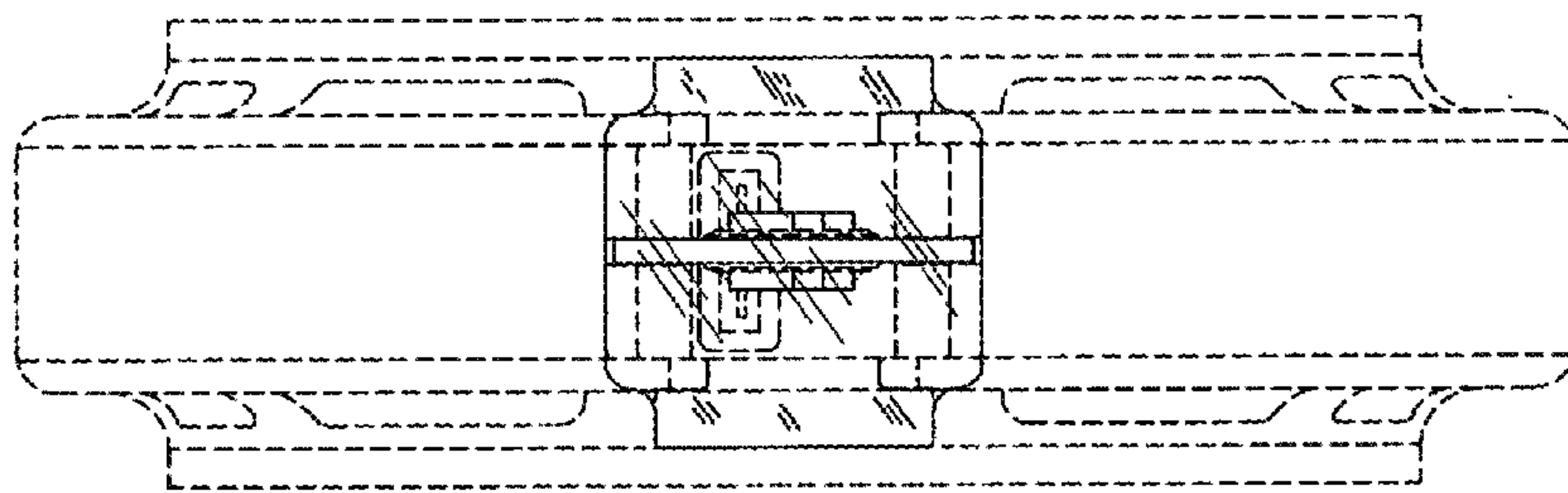


Fig. 5

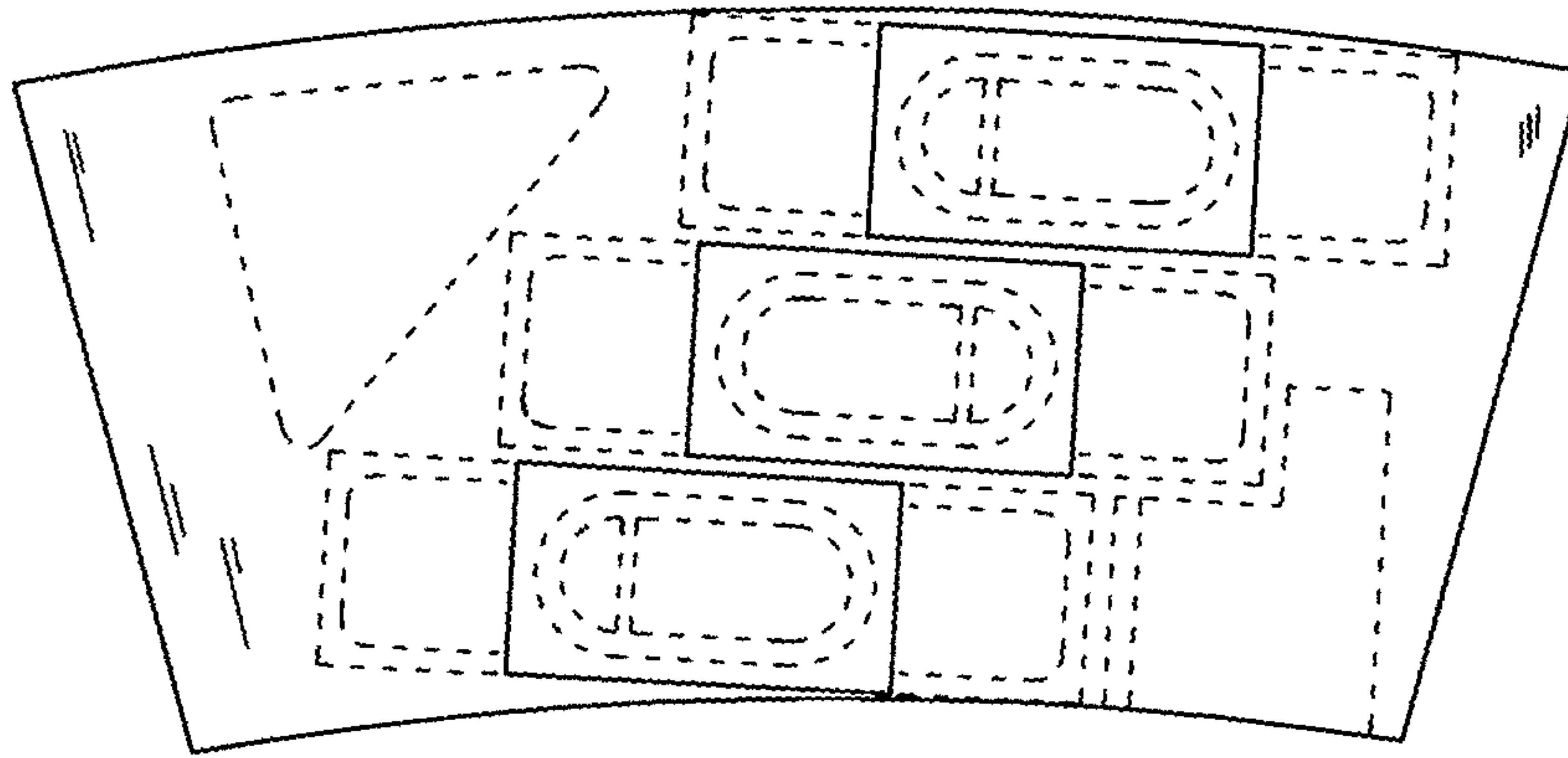


Fig. 6

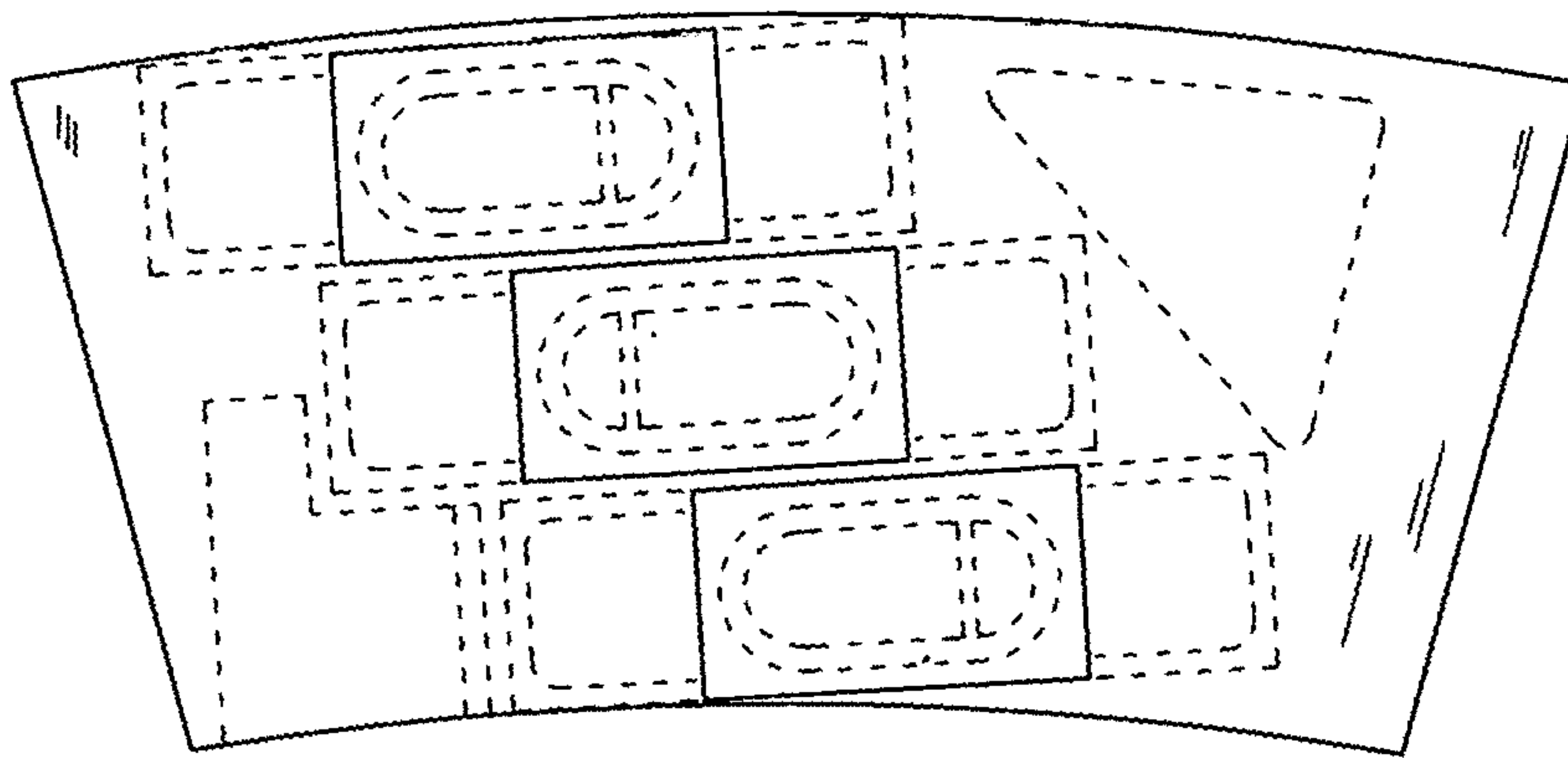


Fig. 7

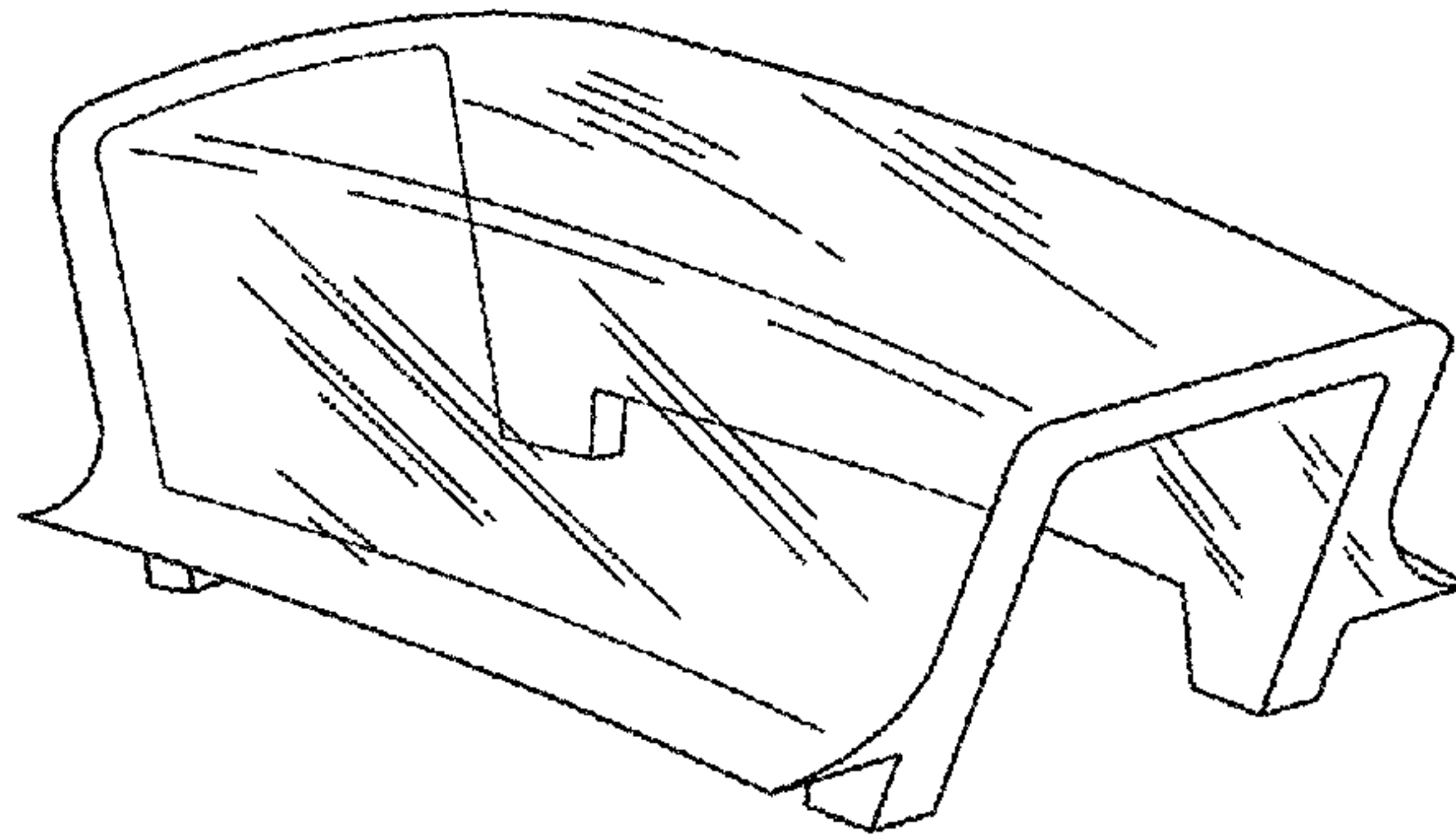


Fig. 8

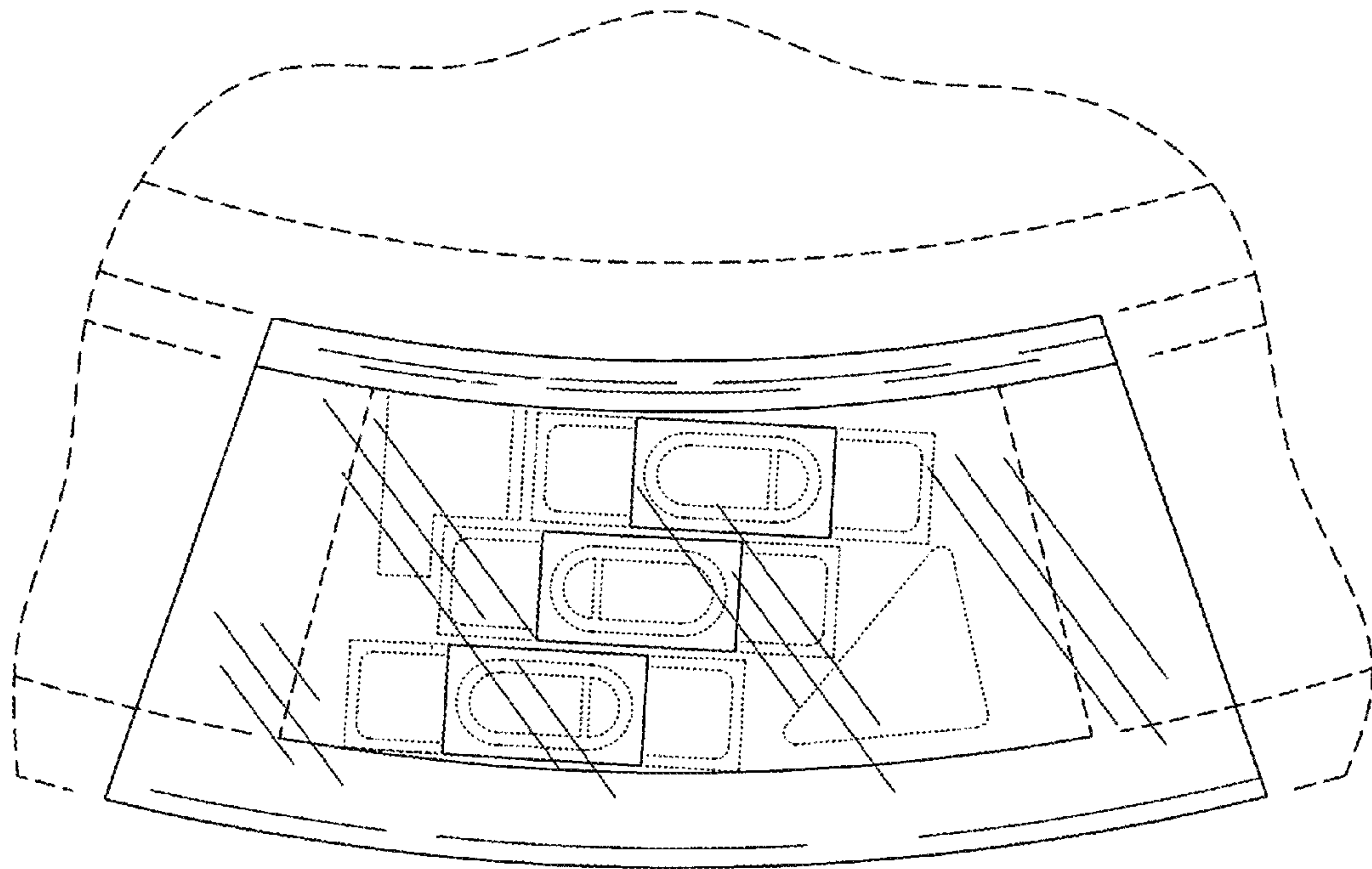


Fig. 9

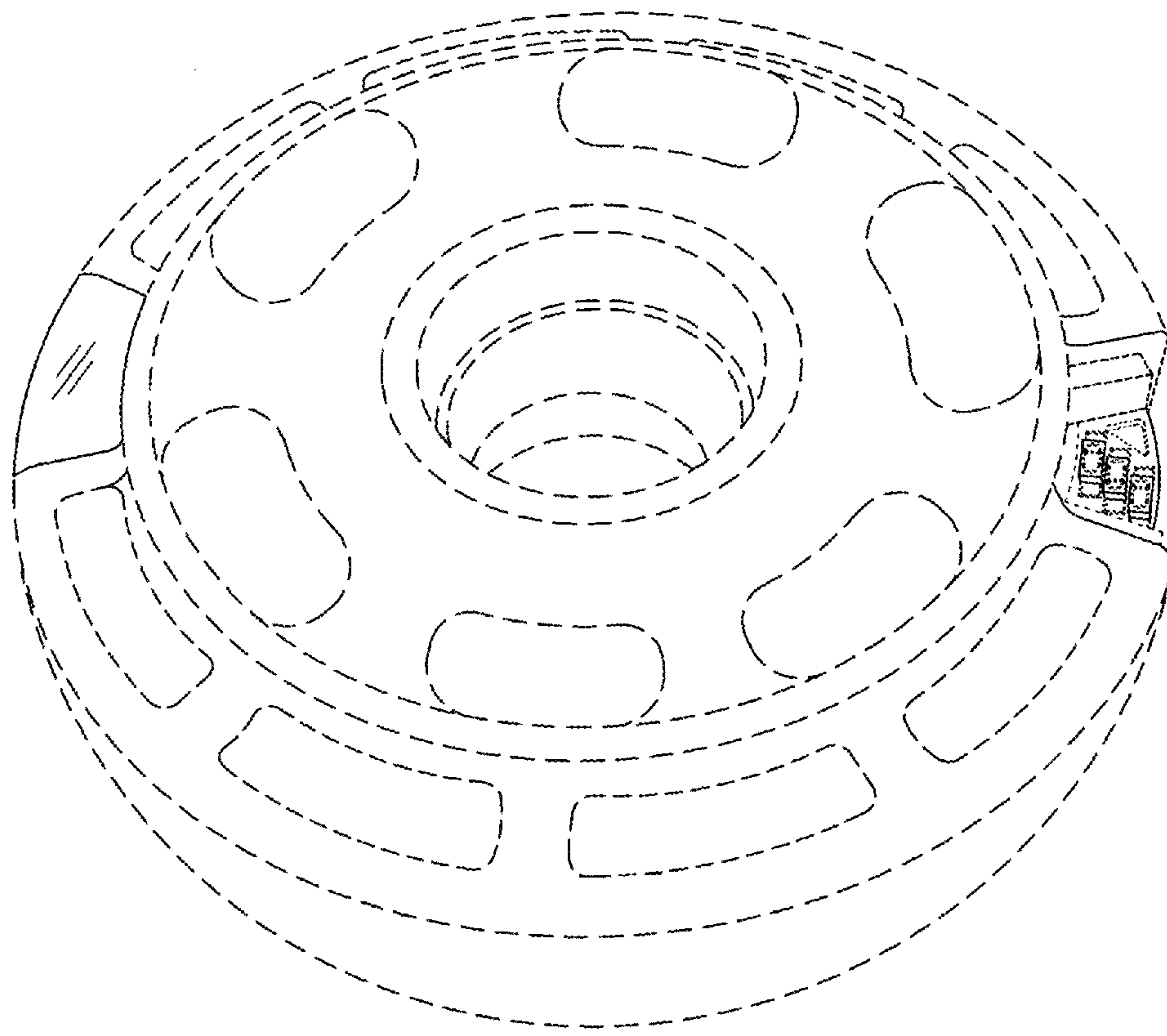


Fig. 10